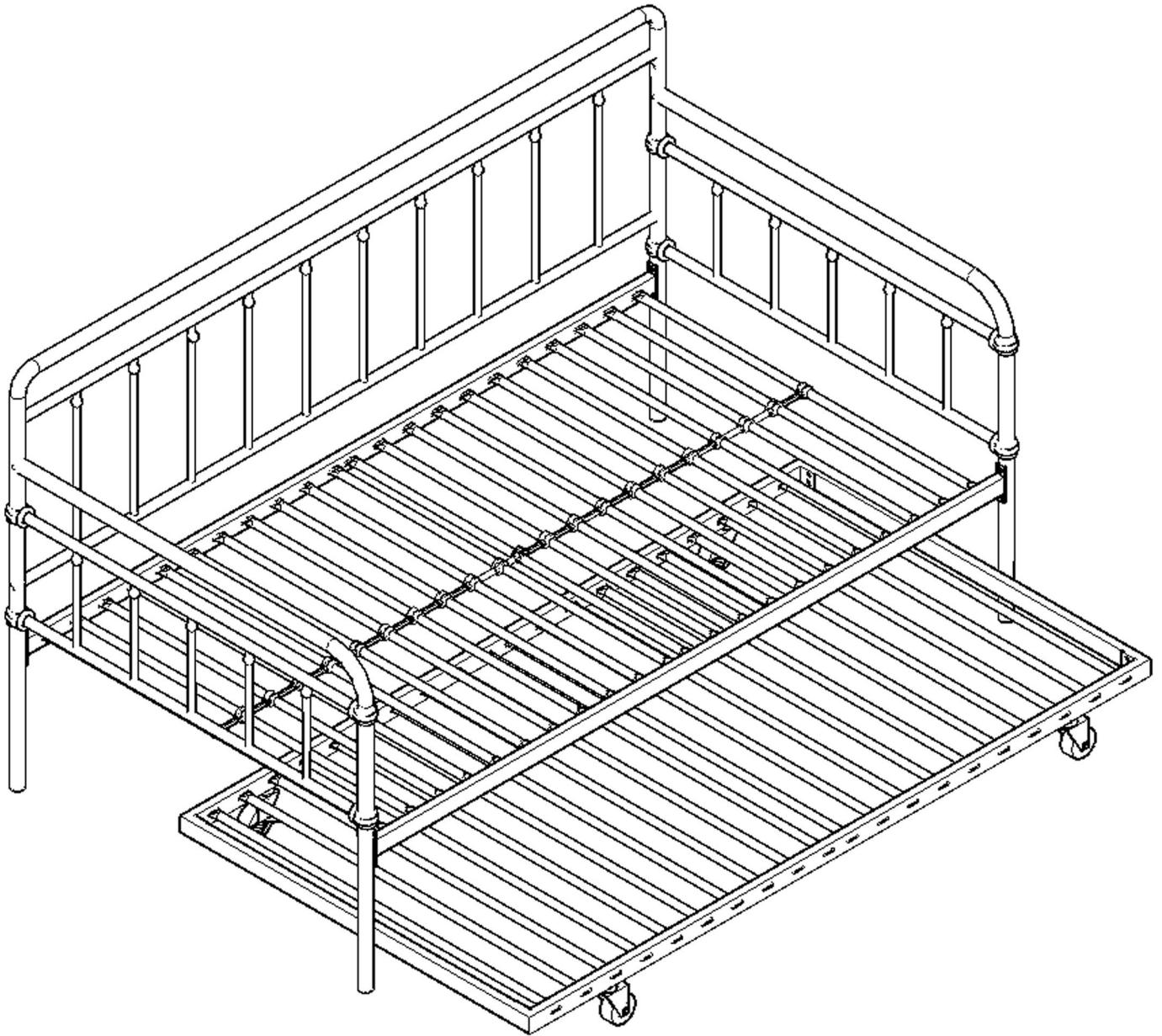
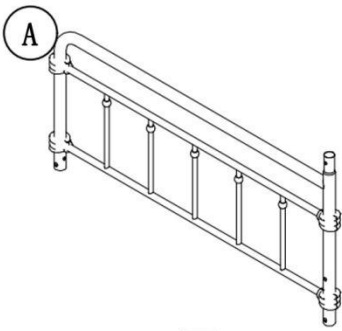
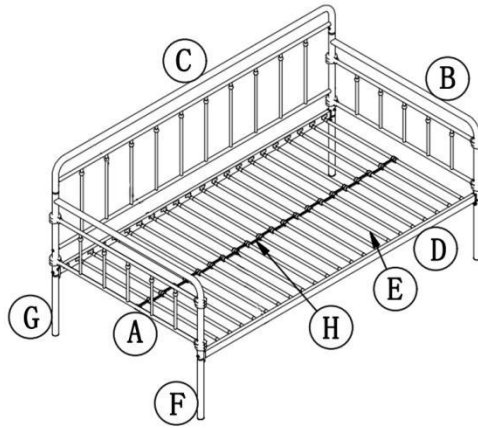


# ASSEMBLY INSTRUCTION

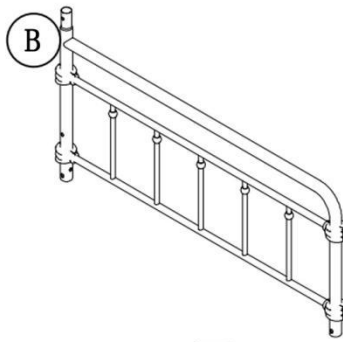


# ASSEMBLY INSTRUCTION



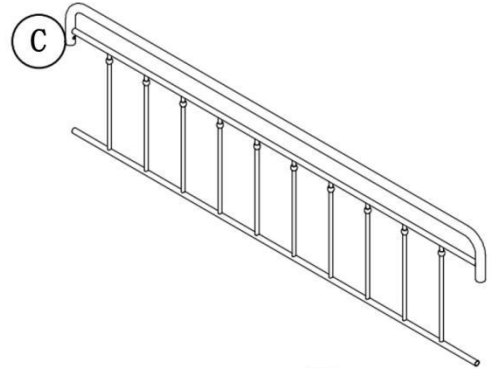
Side Guard Rail 1

X1



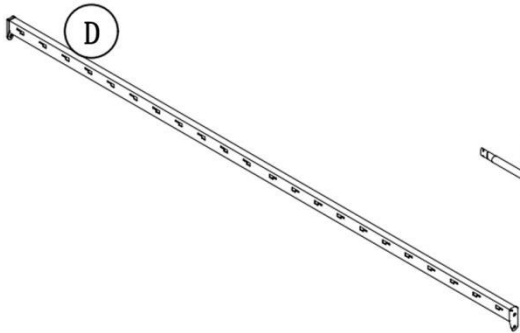
Side Guard Rail 2

X1



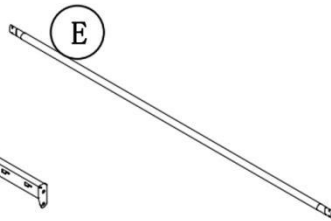
Rear Guard Rail

X1



Front/ Rear Rail

X2



Slat

X42



Post 1

X2



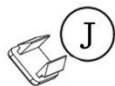
Post 2

X2



Spacer 2

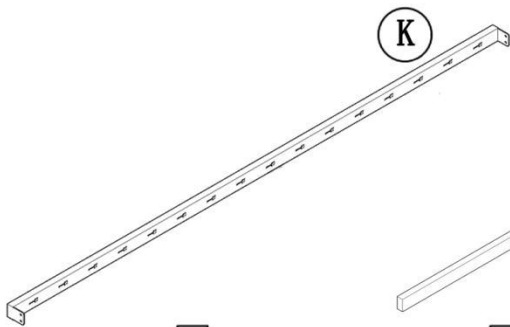
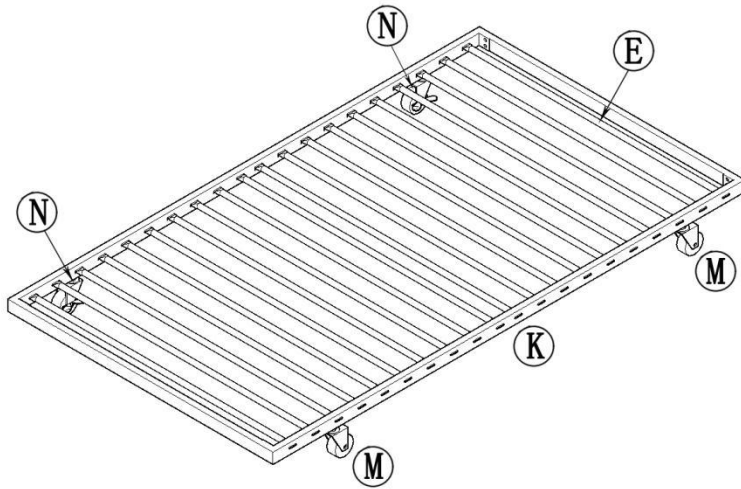
X21



Plug

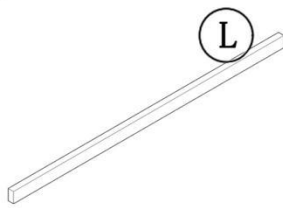
X84

# ASSEMBLY INSTRUCTION



Side Rail

X2



End Rail

X2



Locking Caster

X2



Caster

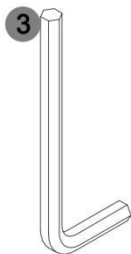
X2



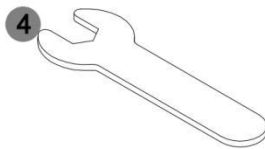
1/4x45  
X2



1/4x16  
X22



4mm  
X1

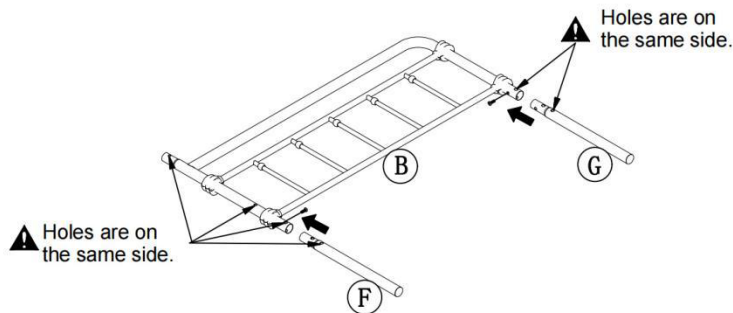
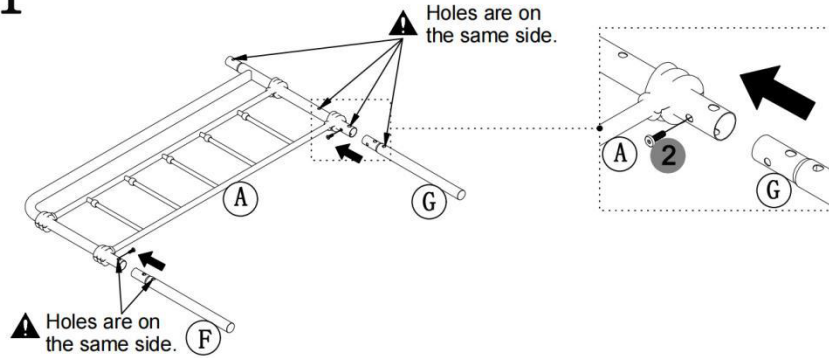


X1

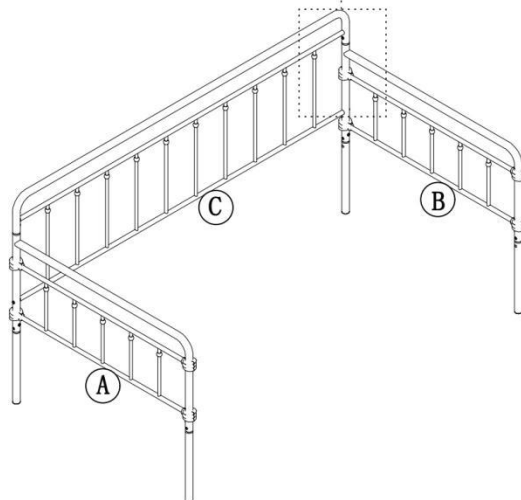
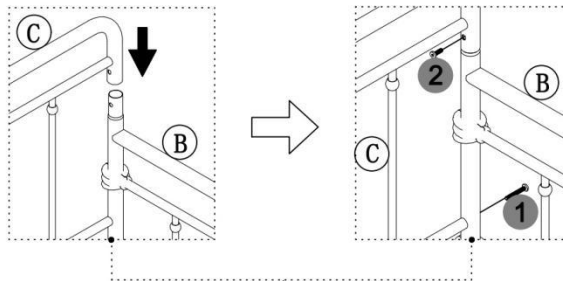
# ASSEMBLY INSTRUCTION

Note: Please do not tighten all bolts until the bed is assembled completely

## STEP 1



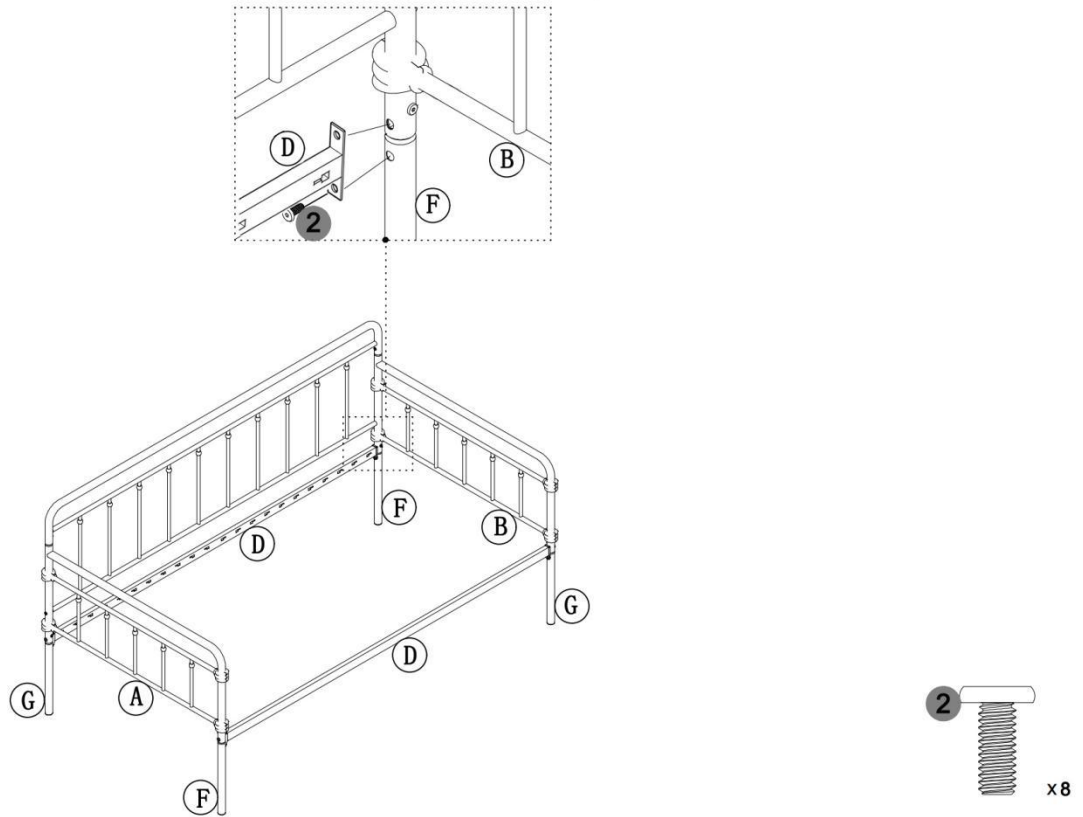
## STEP 2



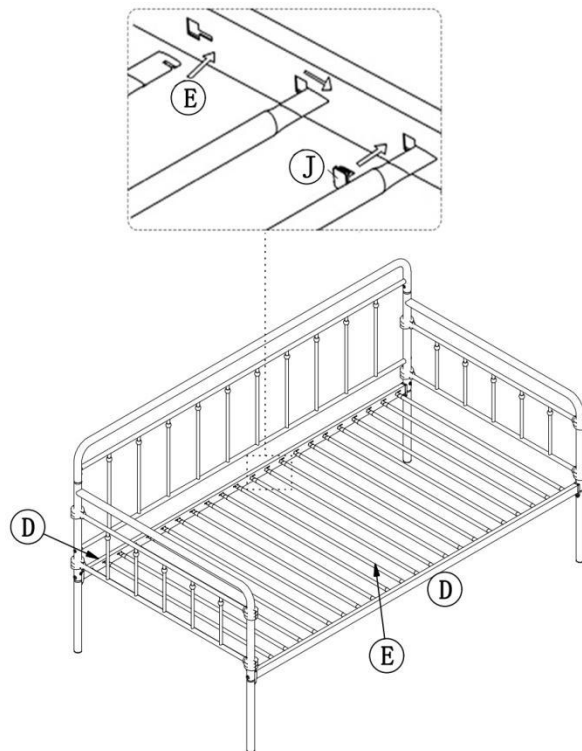
# ASSEMBLY INSTRUCTION

Note: Please do not tighten all bolts until the bed is assembled completely

## STEP 3



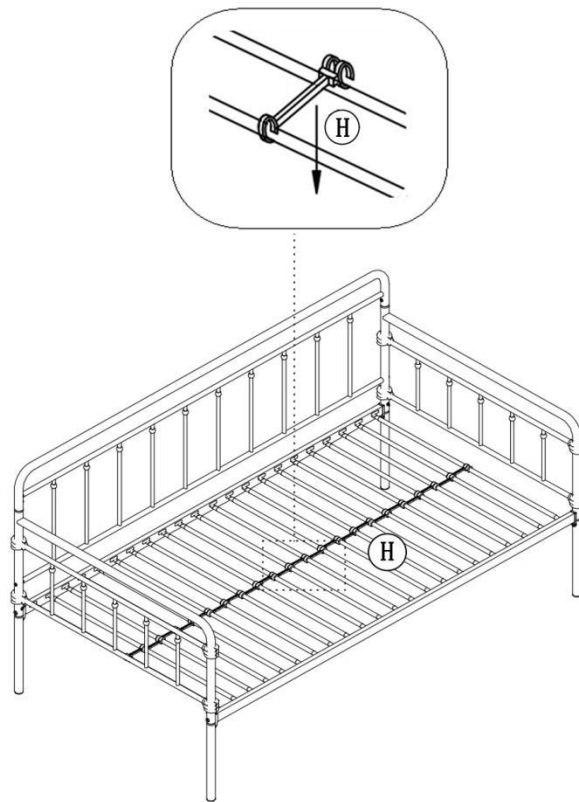
## STEP 4



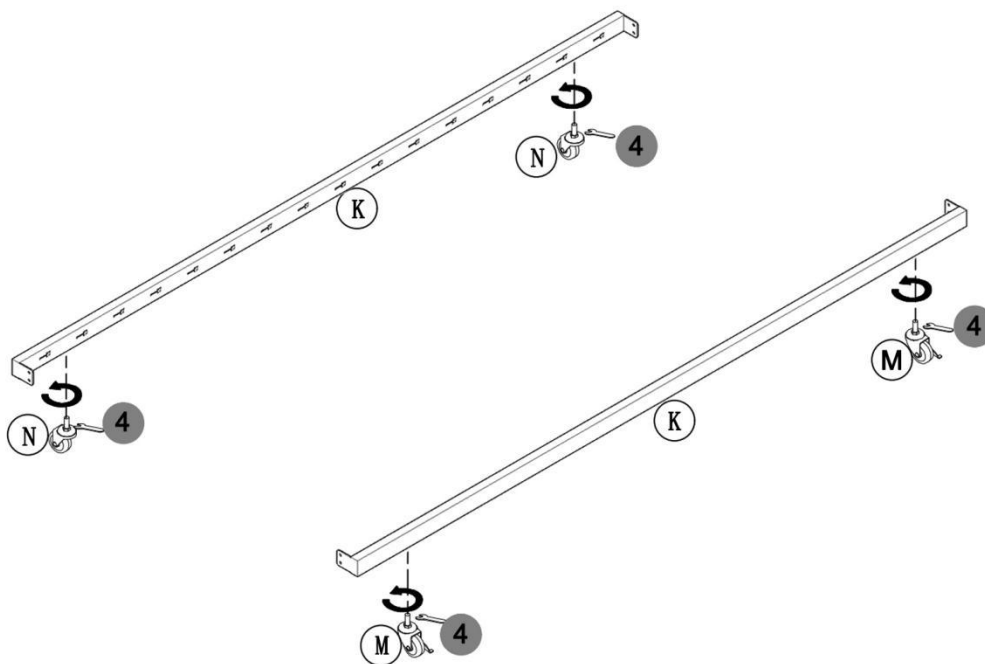
# ASSEMBLY INSTRUCTION

Note: Please do not tighten all bolts until the bed is assembled completely

## STEP 5



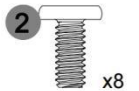
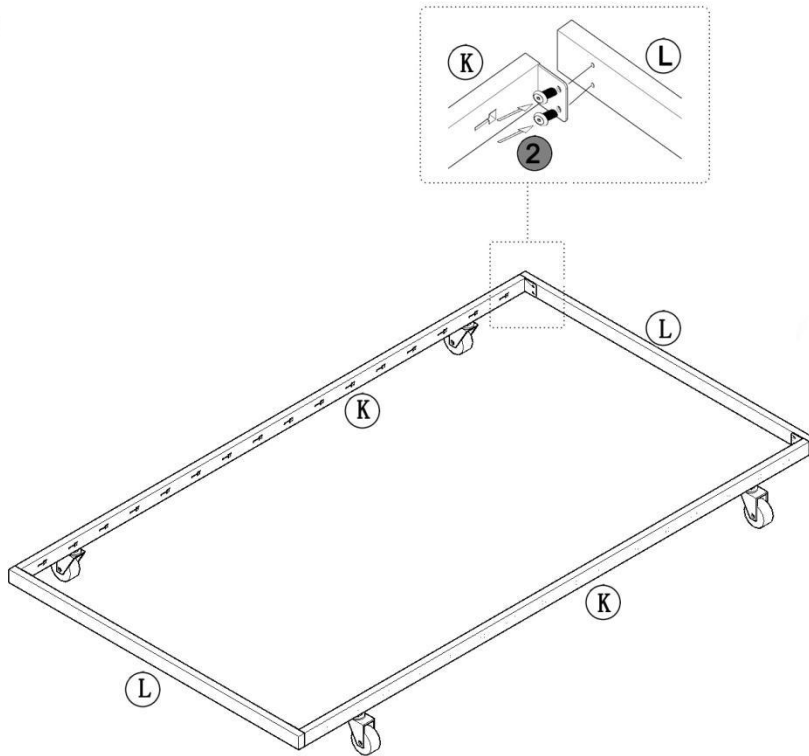
## STEP 6



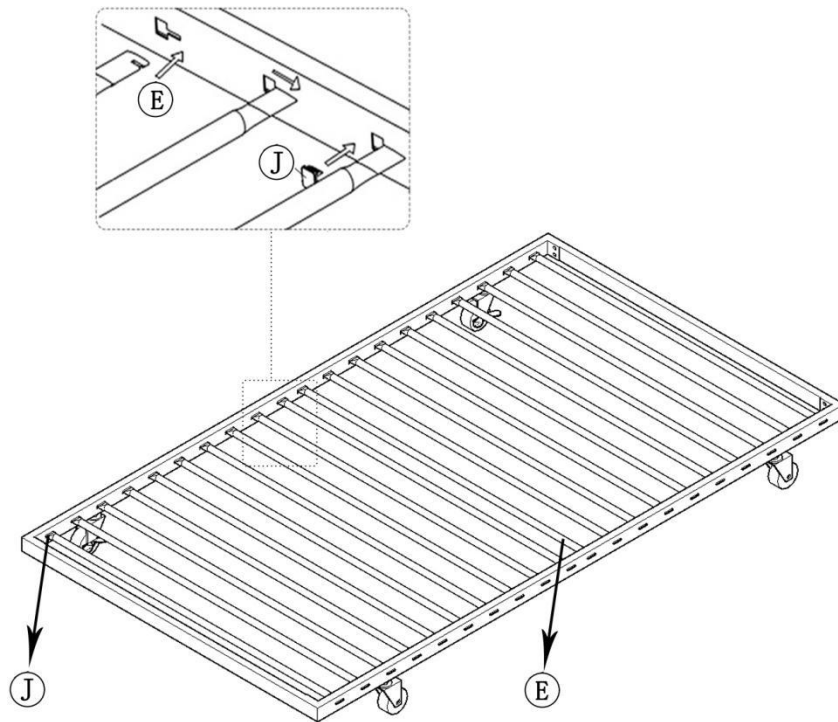
# ASSEMBLY INSTRUCTION

Note: Please do not tighten all bolts until the bed is assembled completely

## STEP 7



## STEP 8



# ASSEMBLY INSTRUCTION

