

# OVER THE TOILET STORAGE SHELF

## **CONTACT US:**

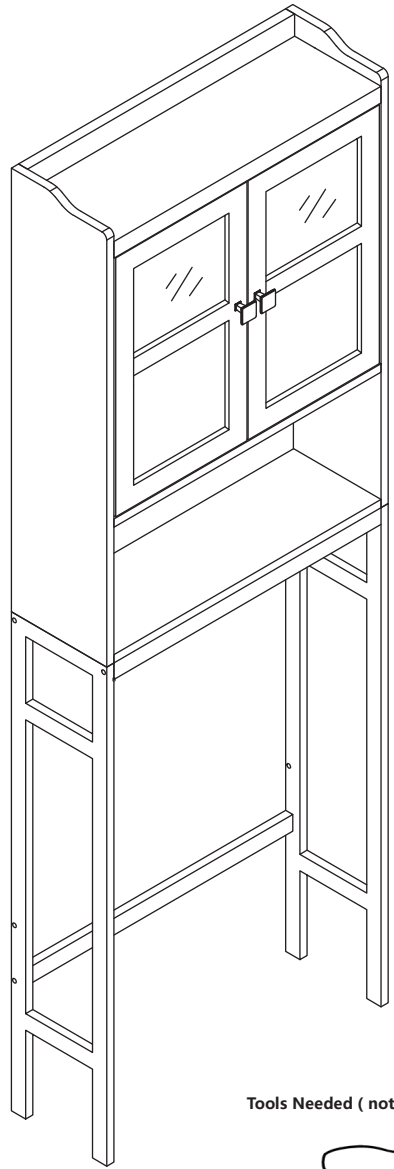
If you have any questions about the installation, please just feel free to contact us at email: [mvdaily002@gmail.com](mailto:mvdaily002@gmail.com)

Alternative method to contact us (amazon.com orders only)

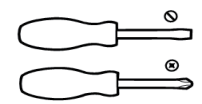
1. Log into your amazon account
2. Go to "Your Orders" and find the purchase
3. Click on "Contact Seller"



**Model:** OTC309GY / OTC309BN / OTC309WH



Tools Needed ( not included ) Flat & Phillips Screwdriv.



**Notice:**

1. Follow the installation instructions. Please confirm all accessories are **presented** before installation.
2. Do not fully tighten the screws during initial assembly. Fully tighten screws only once all pieces which are correctly assembled.
3. If you encounter any problems during installation, please contact our customer service.

Item no.	Reference Image	Qty.
①		x1
②		x1
③		x1
④		x1
⑤		x1
⑥		x1
⑦		x1

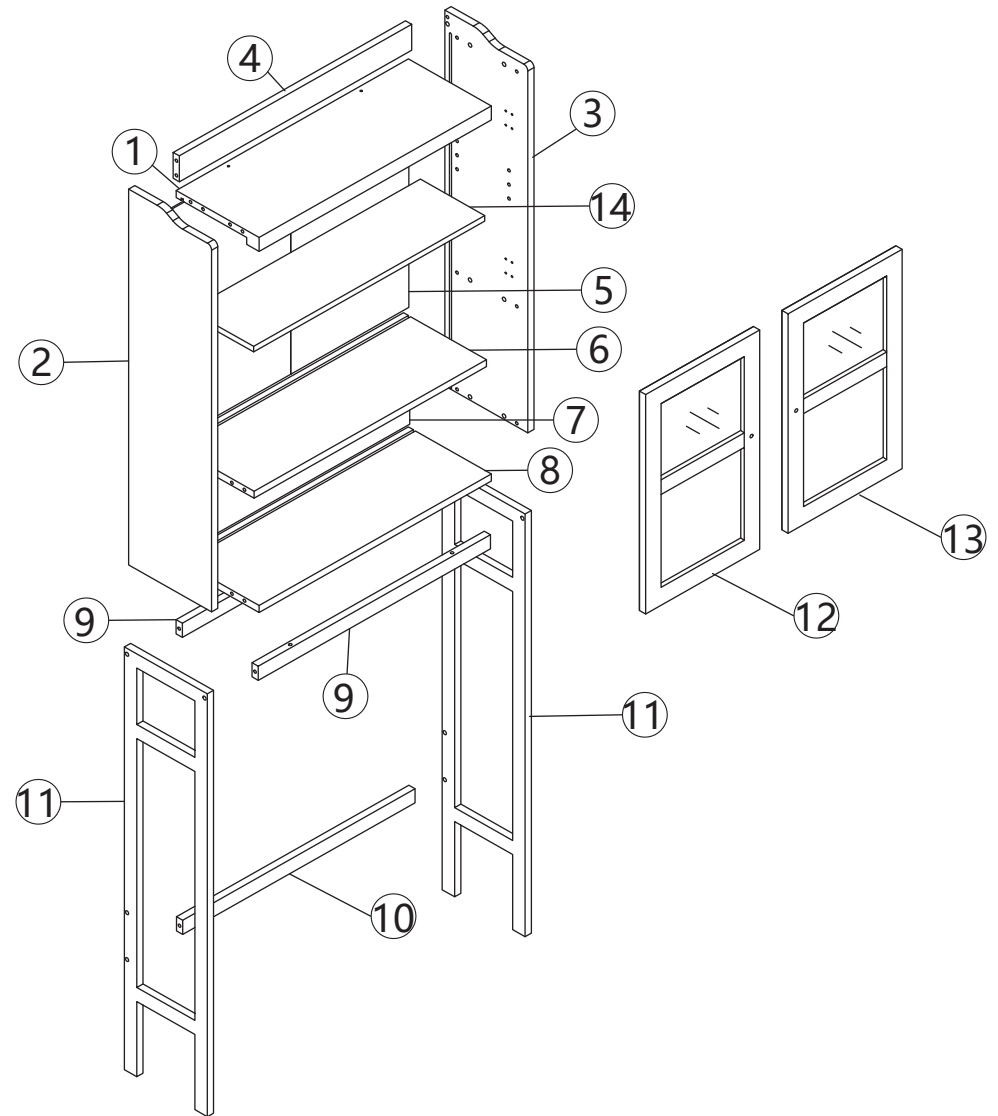
Item no.	Reference Image	Qty.
⑧		x1
⑨		x2
⑩		x1
⑪		x2
⑫		x1
⑬		x1
⑭		x1



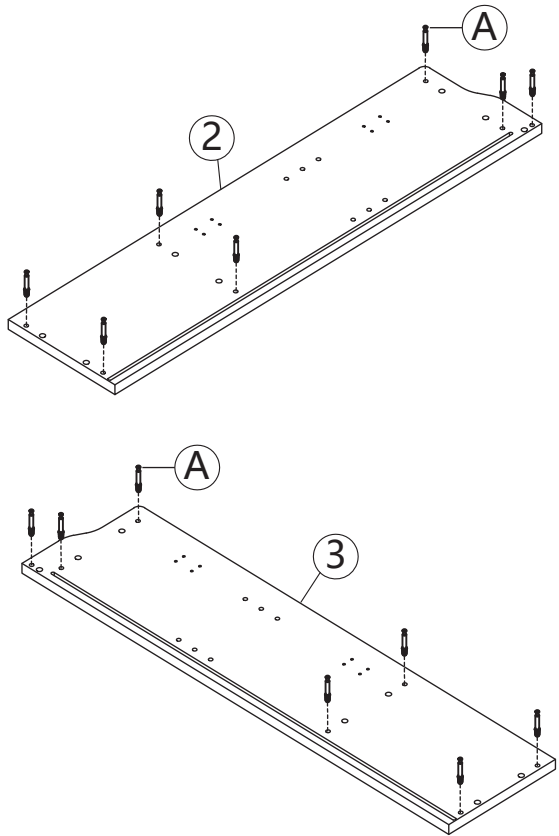
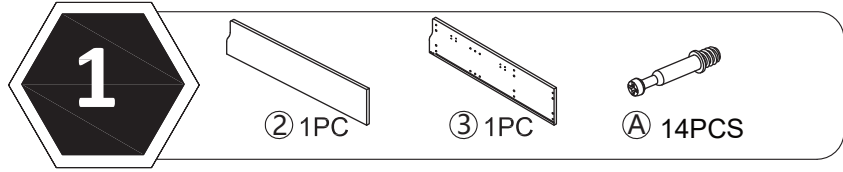
Item no.	Reference Image	Qty.
<b>A</b>		x14
<b>B</b>		x14
<b>C</b>		x14
<b>D</b>		x6
<b>E</b>		x2
<b>F</b>		x4
<b>G</b>		x26
<b>H</b>		x2
<b>I</b>		x4

Item no.	Reference Image	Qty.
<b>J</b>		x4
<b>K</b>		x2
<b>L</b>		x4
<b>M</b>		x1
<b>N</b>		x8
<b>O</b>		x8
<b>P</b>		x1
<b>Q</b>		x2
<b>R</b>		x2

Explosion Diagram

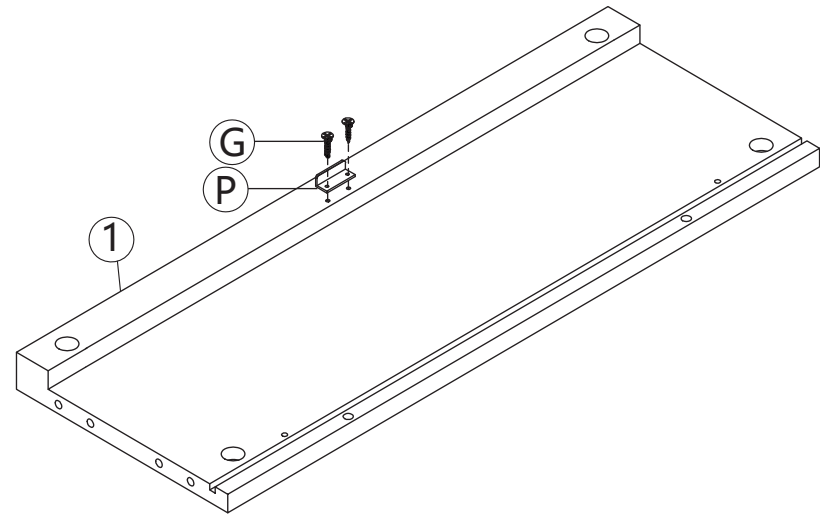
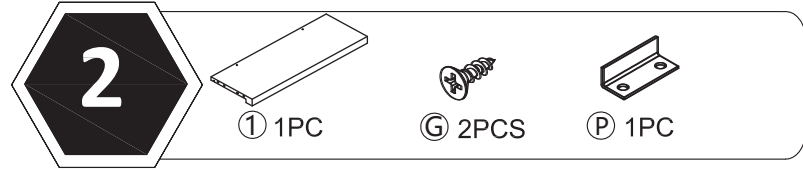


# Assembly instructions



5

# Assembly instructions



6

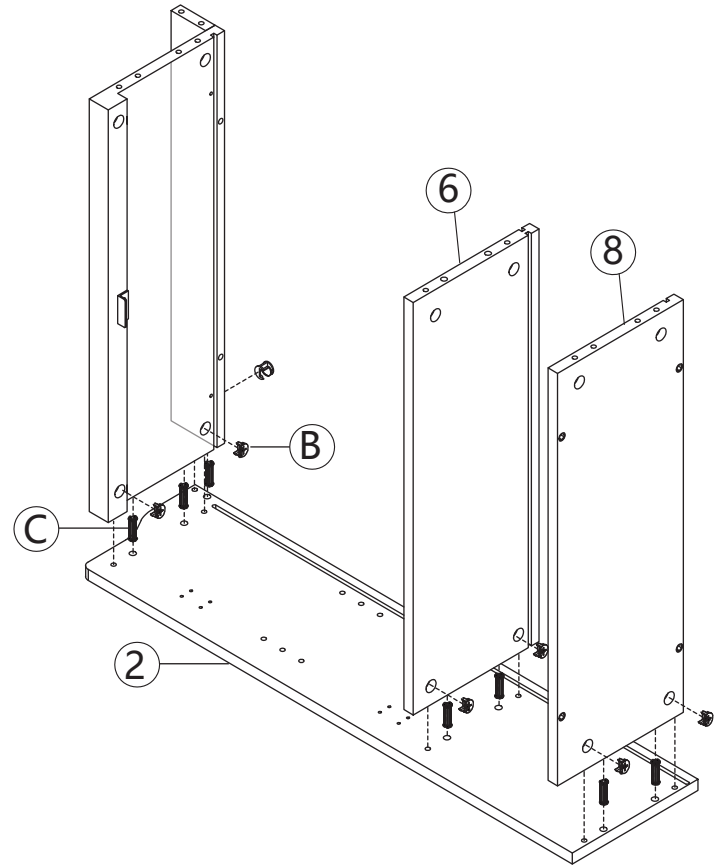
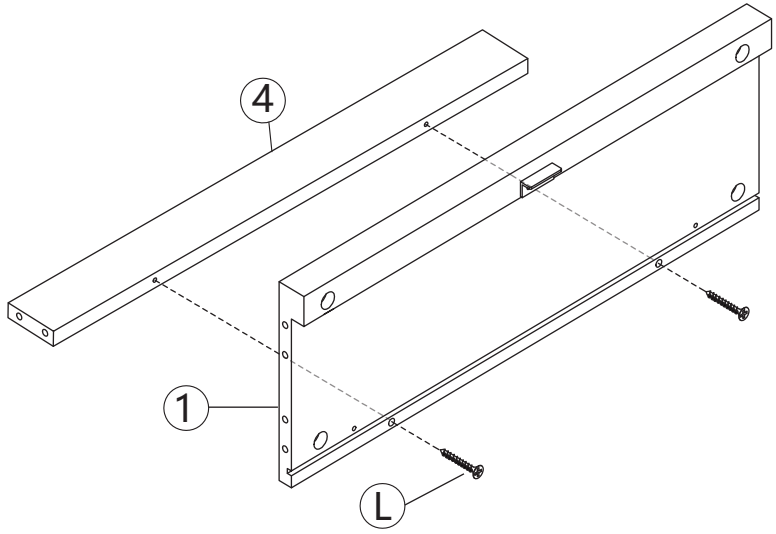


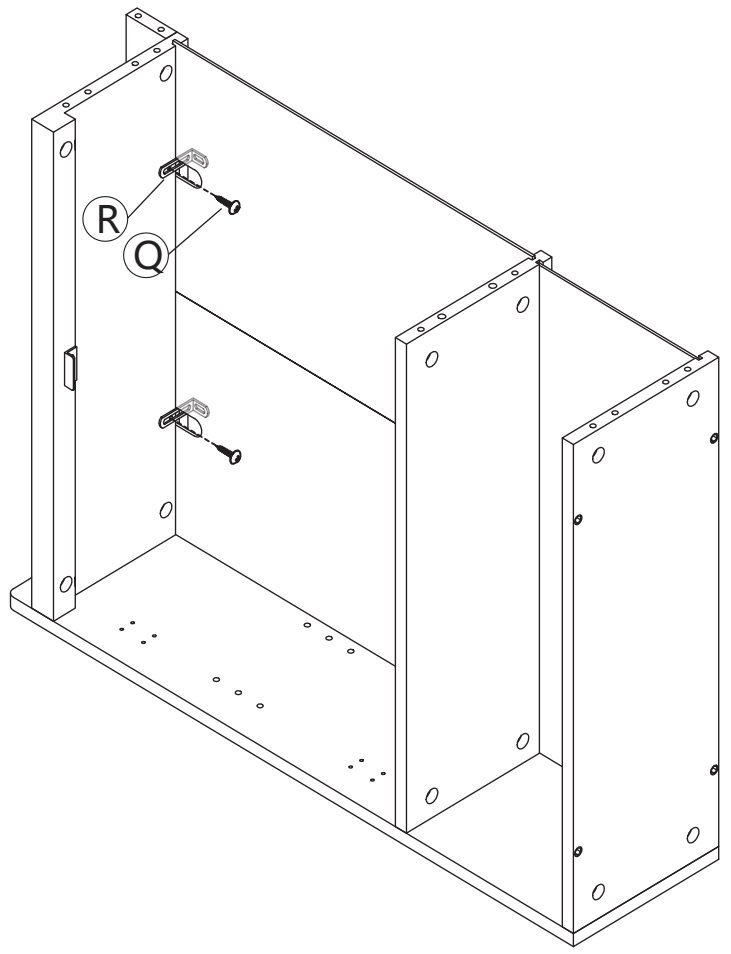
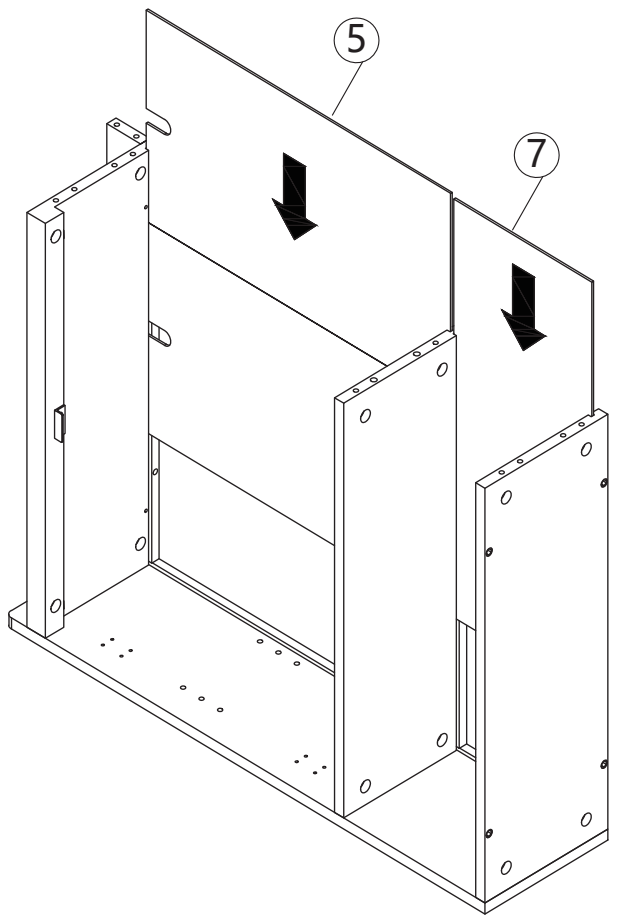
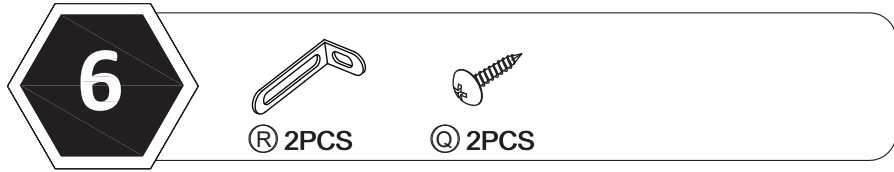
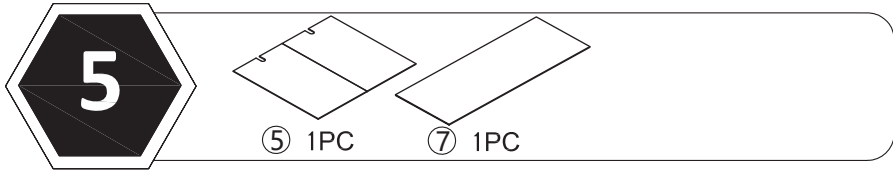
**3**

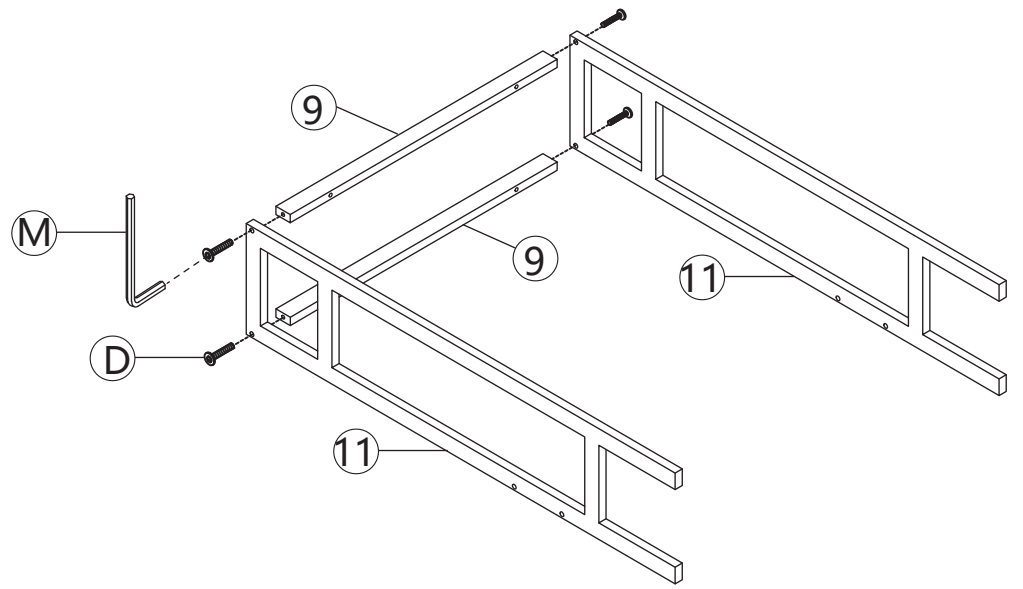
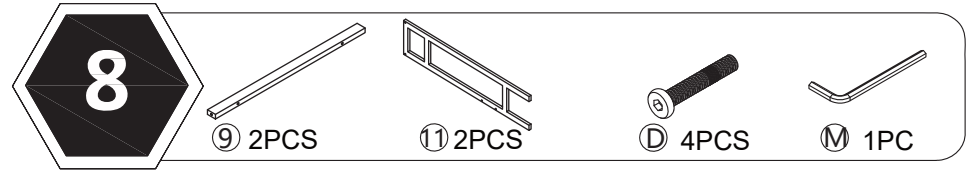
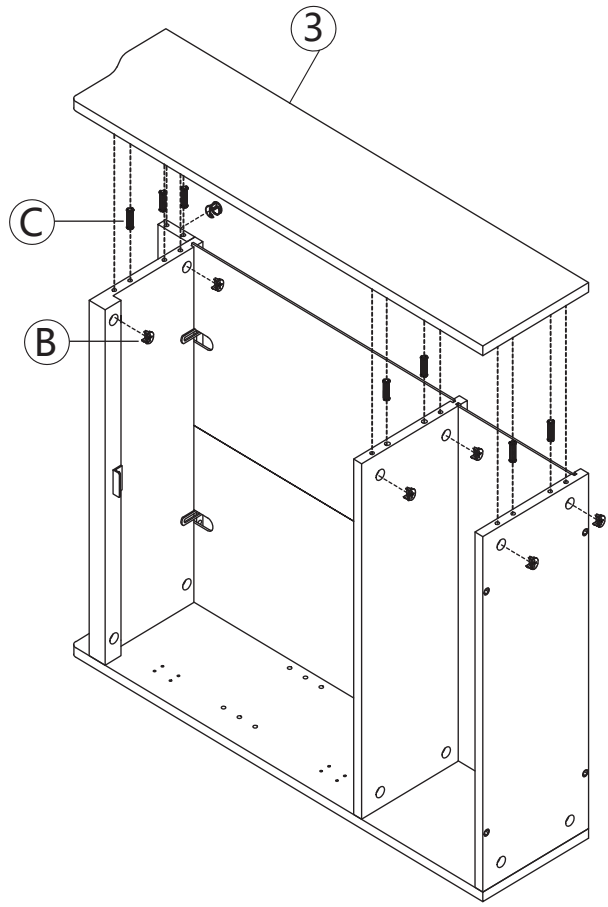
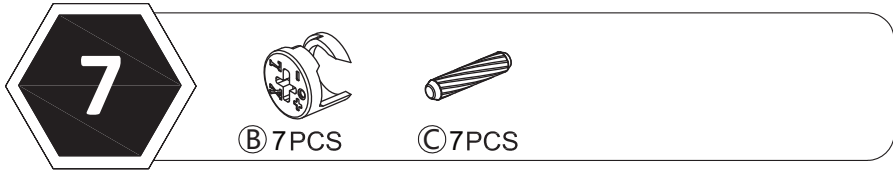
④ 1PC      L 2PCS

**4**

⑥ 1PC      ⑧ 1PC      B 7PCS      C 7PCS

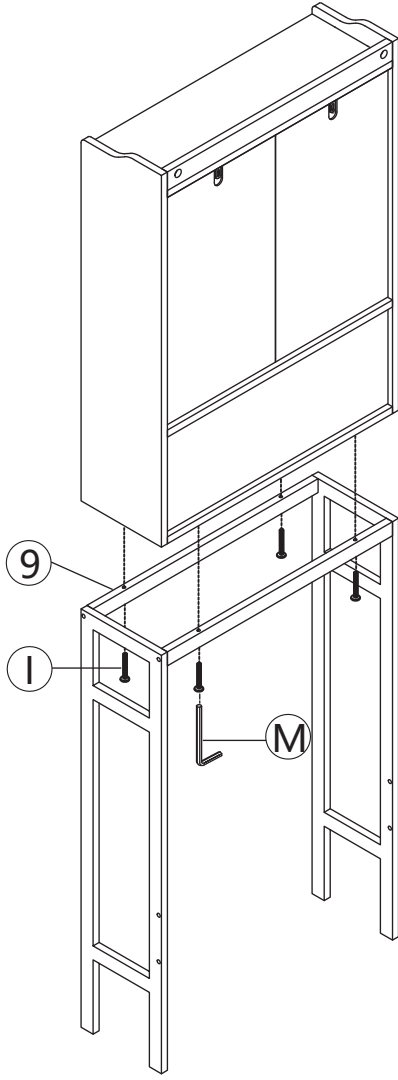
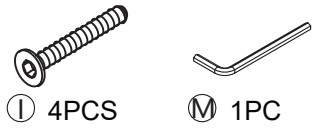






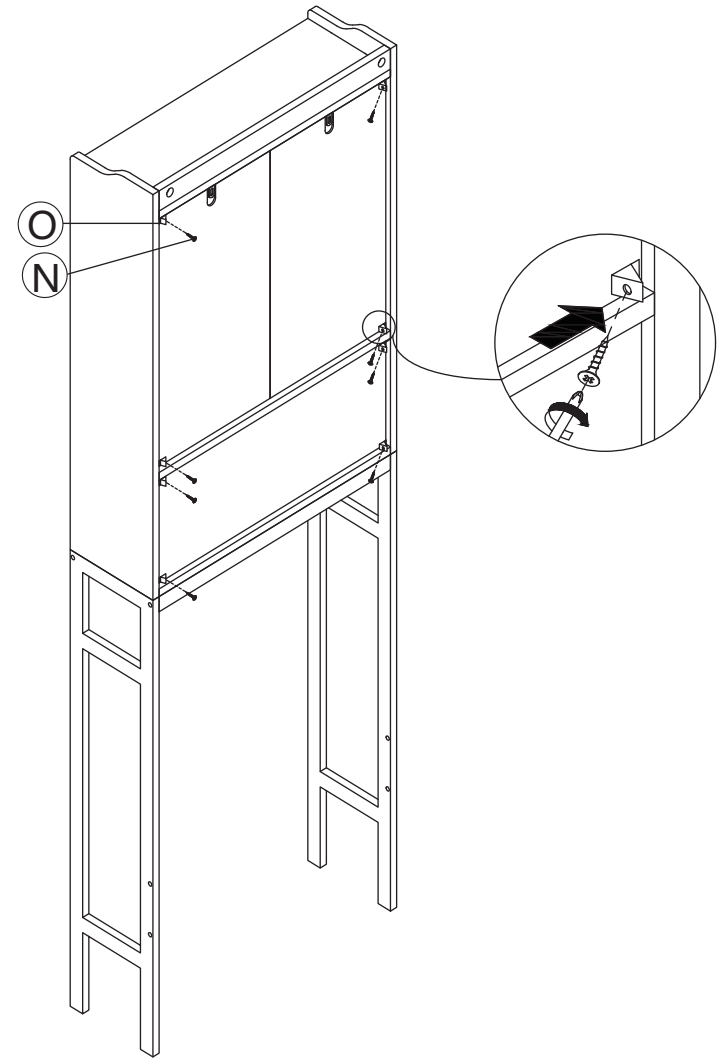


9

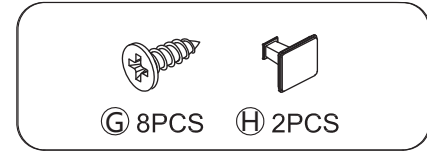
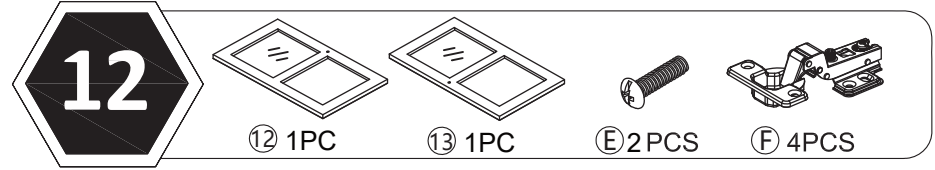
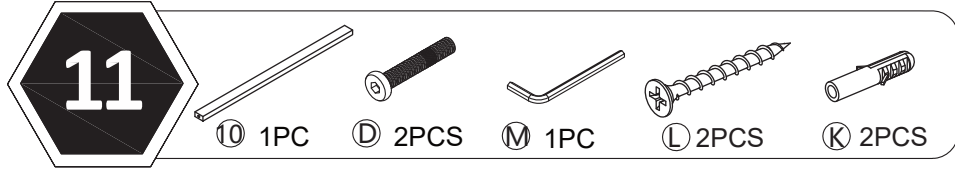


11

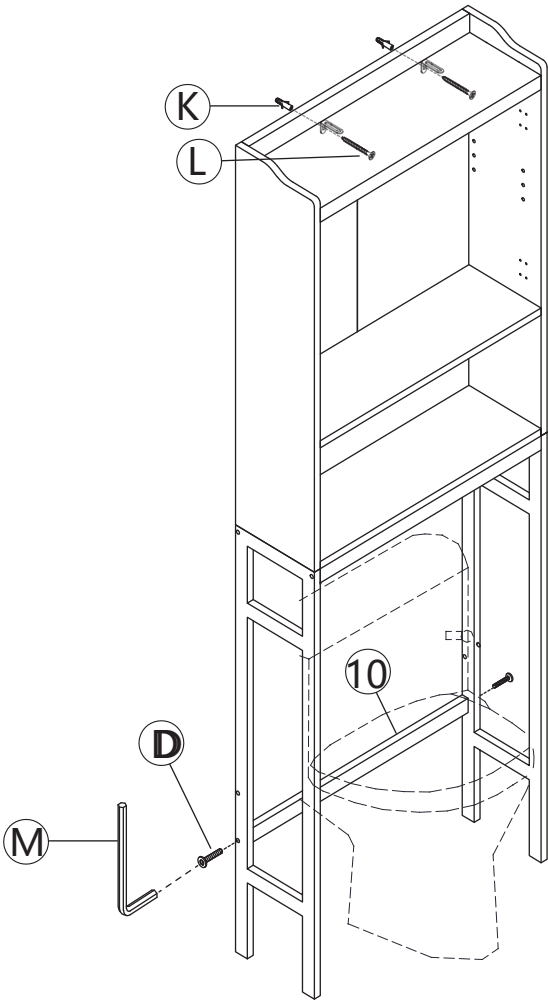
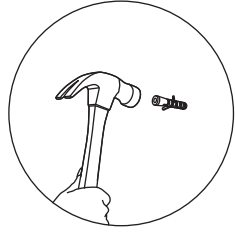
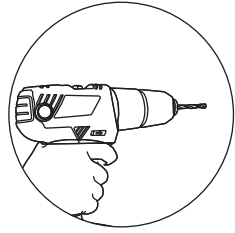
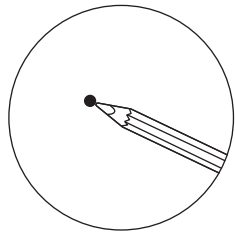
10



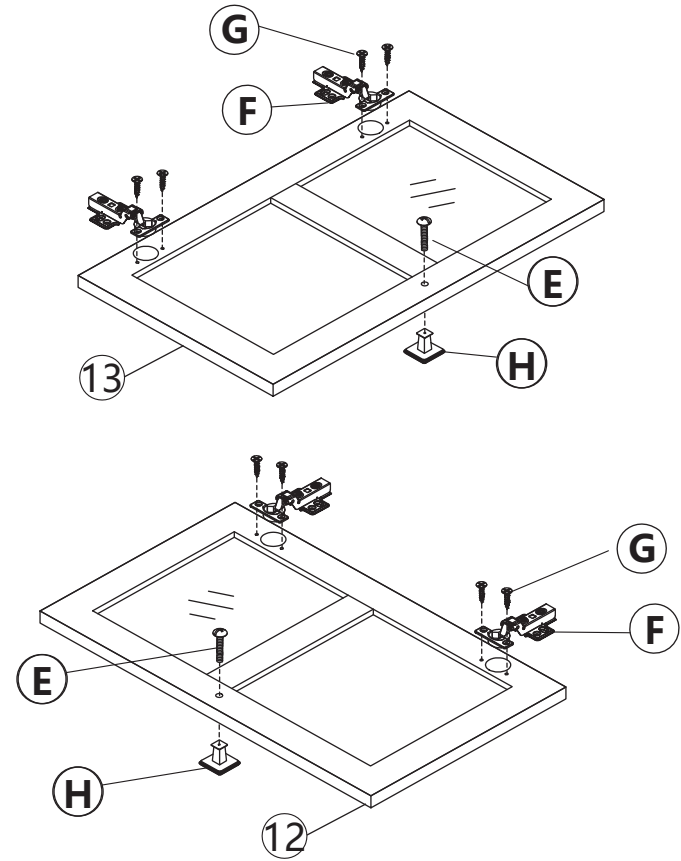
12



Notes: Highly recommend you to secure the anti-tip accessories to wall to prevent the storage shelf tipping, avoiding injury and property damage.<sup>e1</sup>



13



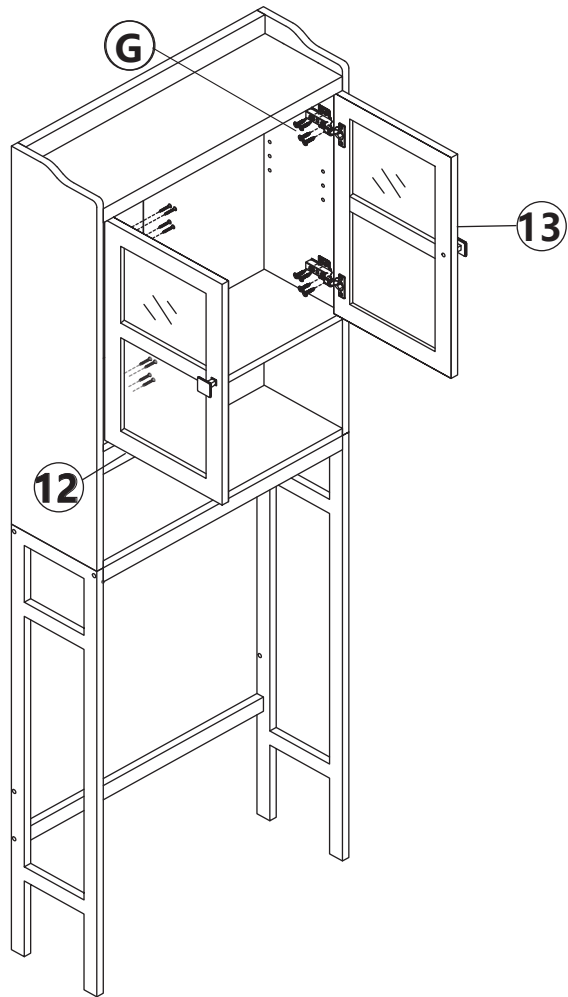
14



**13**



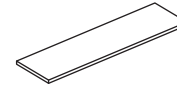
Ⓒ 16PCS



15



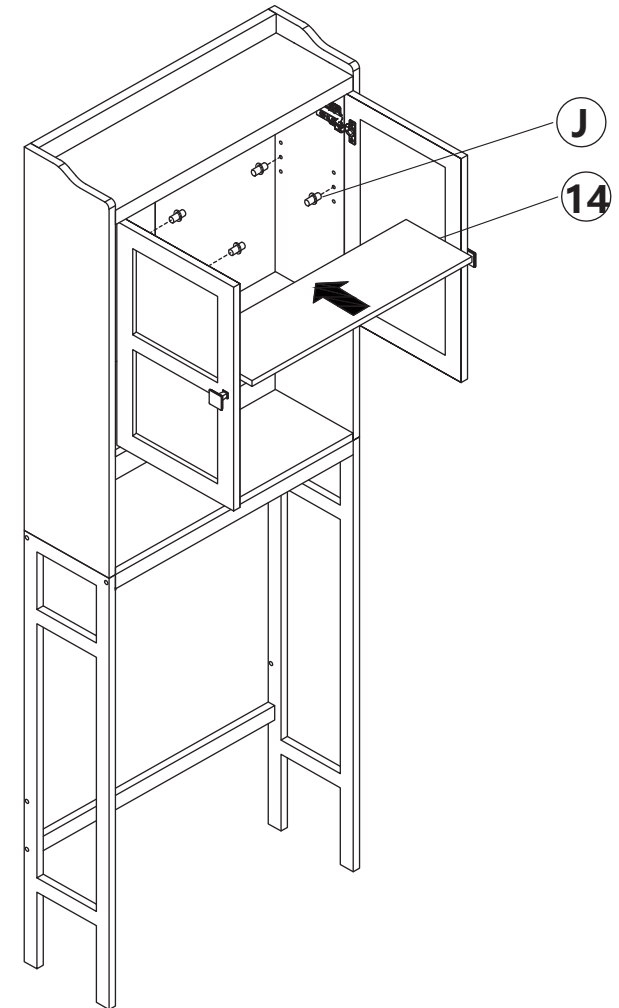
**14**



Ⓙ 1PC



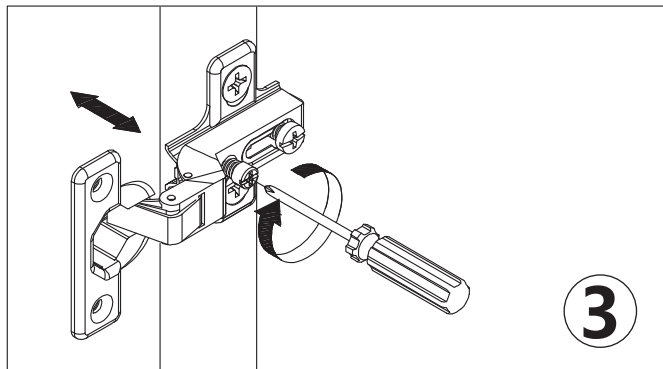
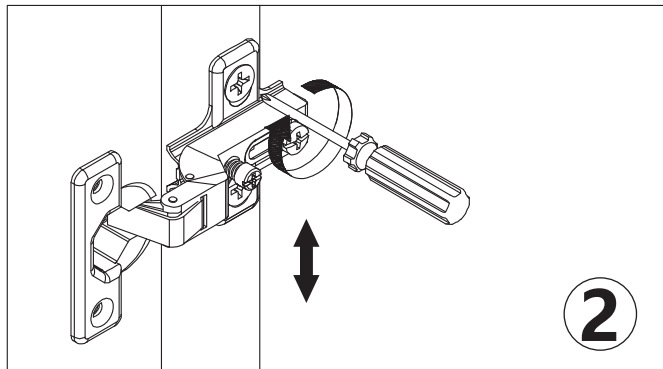
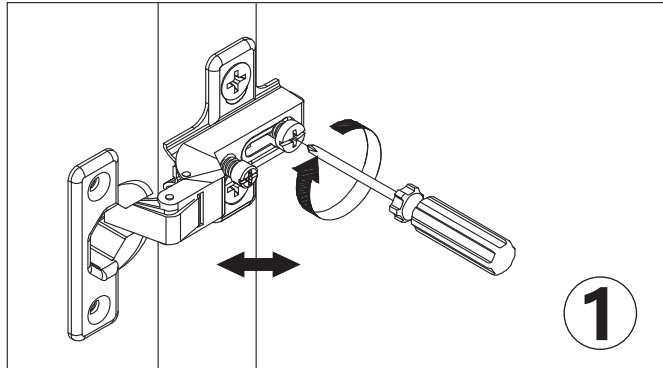
Ⓜ 4PCS



16

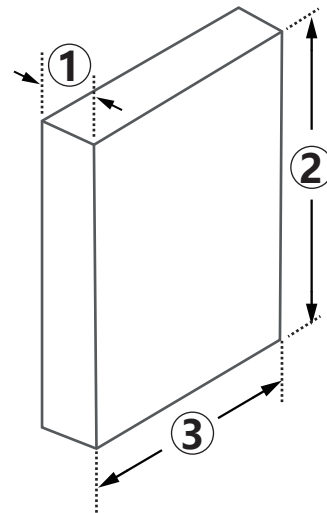


# Left



## OPTIONAL DOOR ADJUSTMENT

Doors may need to be adjusted after the initial shipping of the cabinet . The cabinet doors have a three-way adjustment feature. Height , side-to side , level and depth can be adjusted. With the hinge slightly closed you can access the middle screw for up / down adjustment .With the hinge fully extended you can access the front and back screws . These screws will move the door side to side and in and out.



# Right

