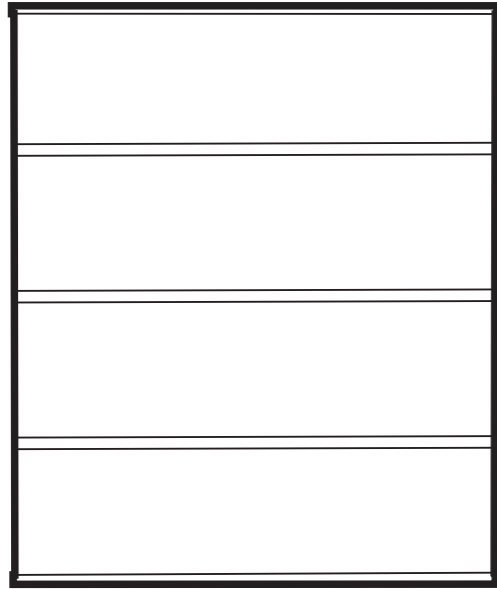


Liv Chest



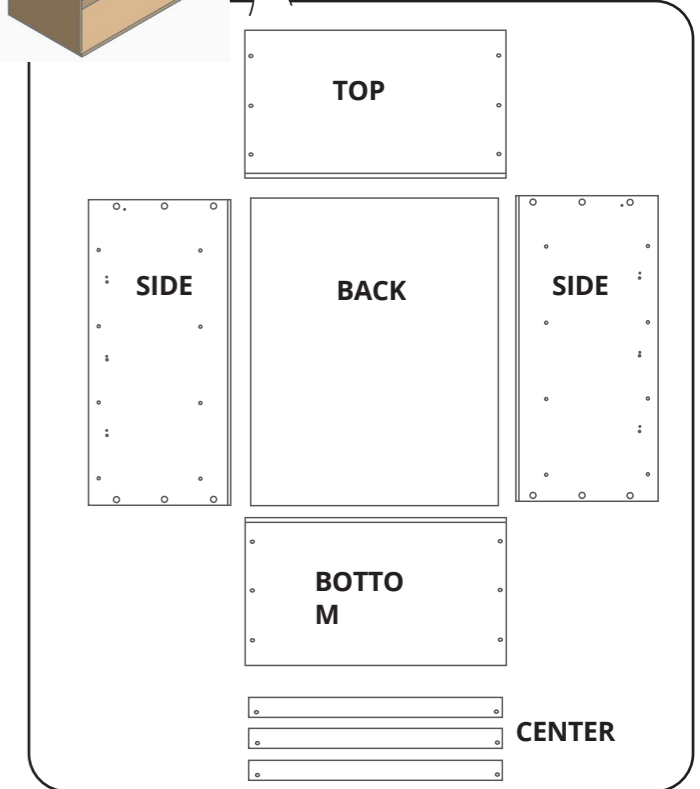
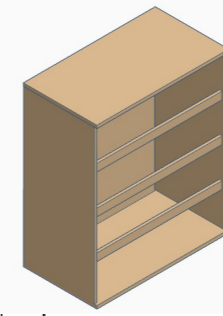
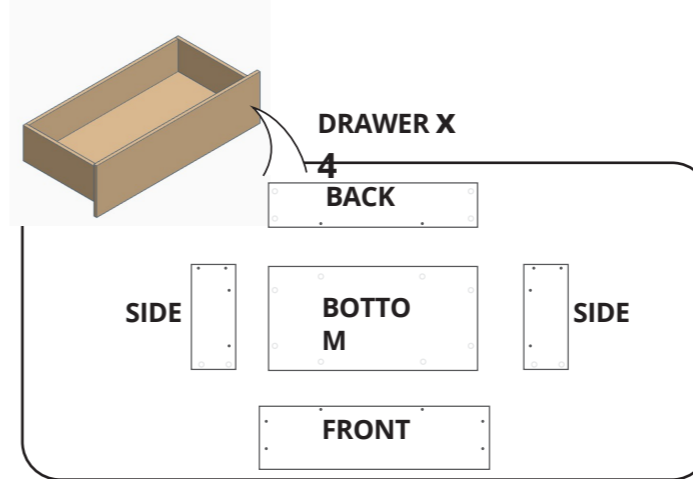
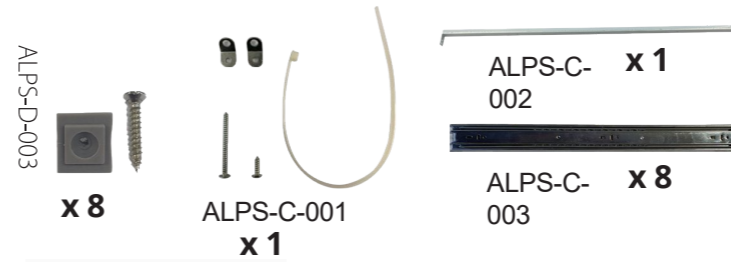
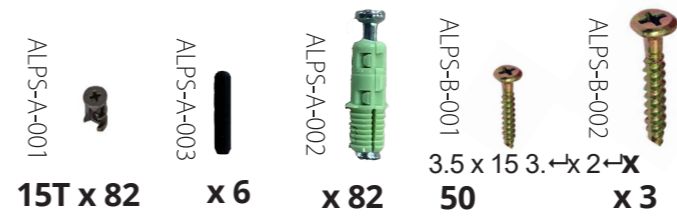
Serious or fatal crushing injuries can occur from furniture tipping. To help prevent tipping:

- Never allow children or adults to climb on this furniture
 - Never open more than one drawer at a time
- Casters and skids are intended for **transportation purposes only and must be removed from all furniture at installation**

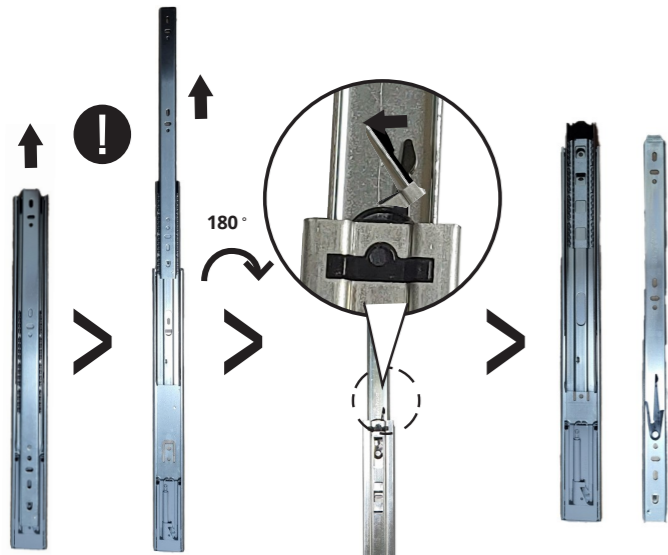
purposes only and must be removed from all furniture at installation

If a tipping restraint is not supplied with the furniture, immediately contact the store where the furniture was purchased.

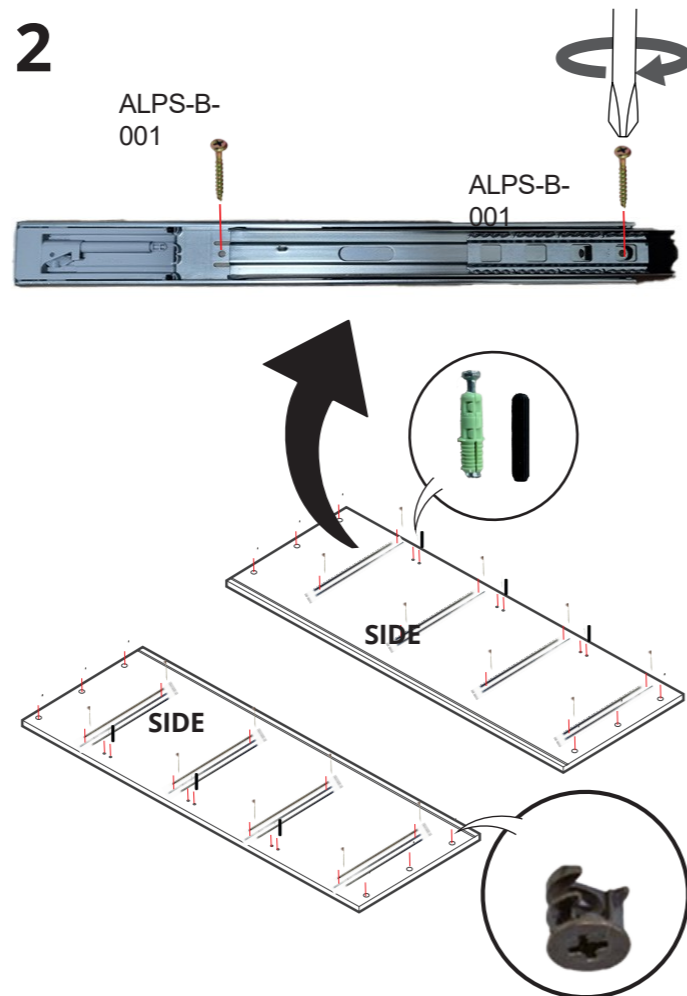
DO NOT INSTALL WITHOUT A TIPPING RESTRAINT. Use of a tipping restraint may only reduce, but not eliminate the risk of tipping.



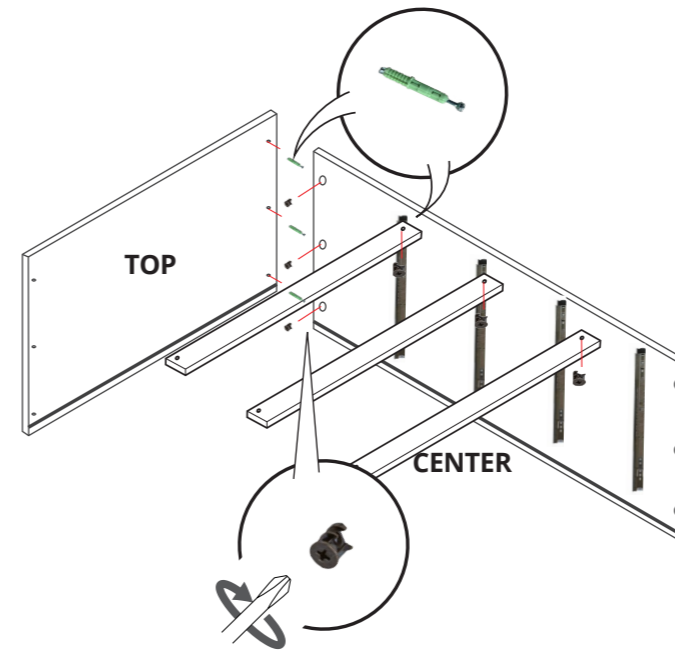
1



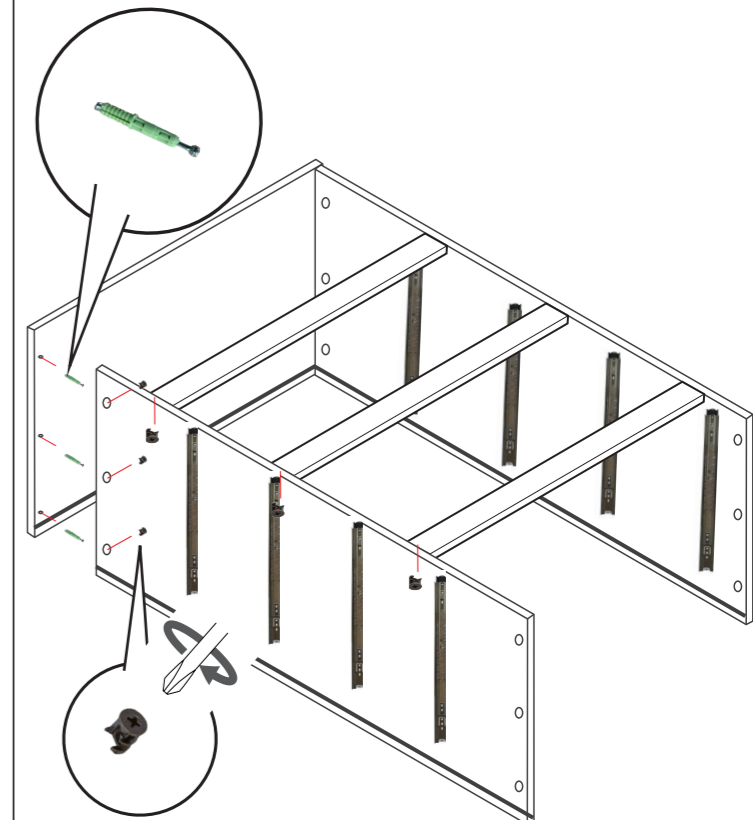
2



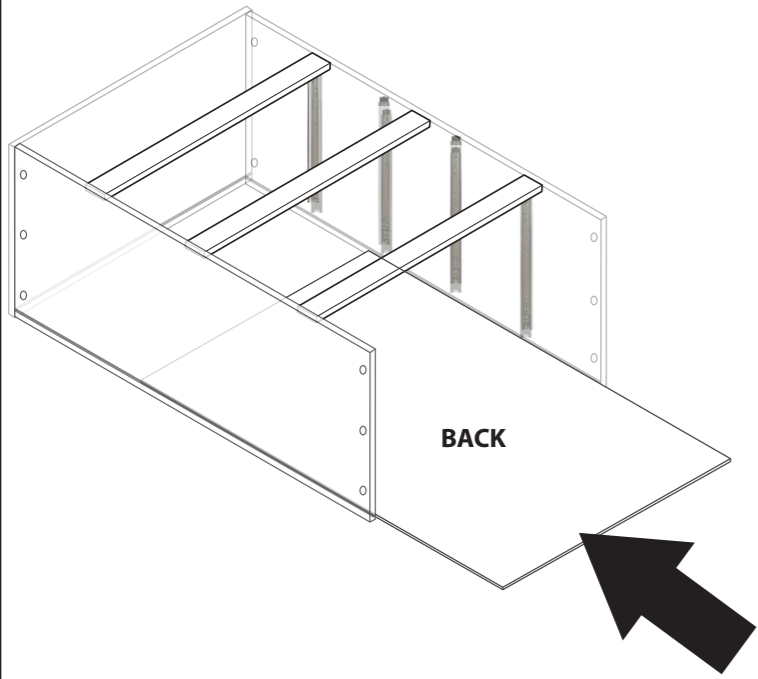
3



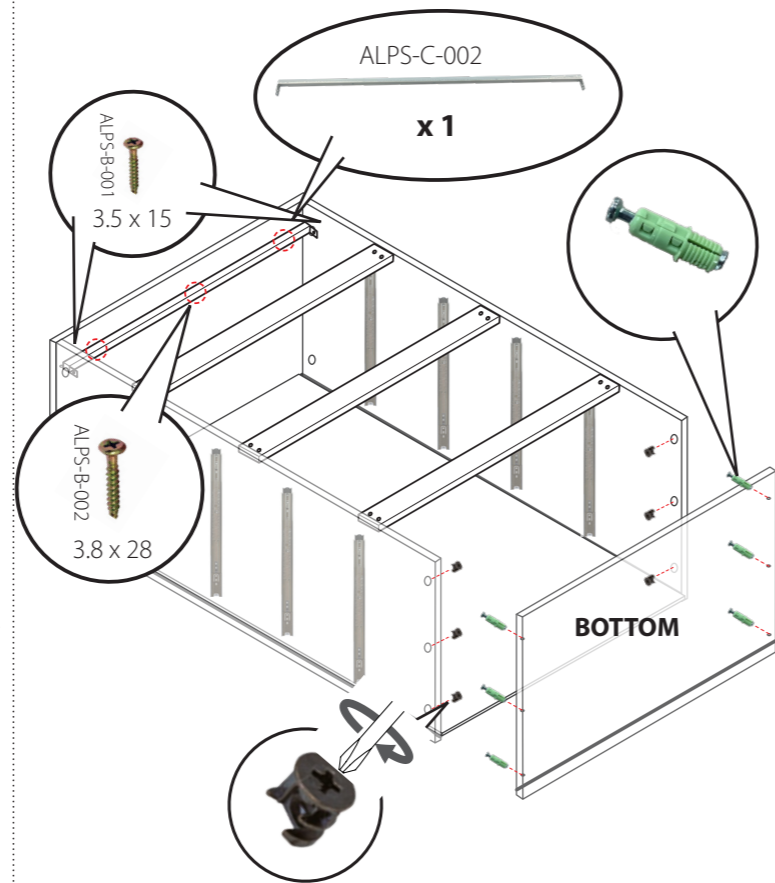
4



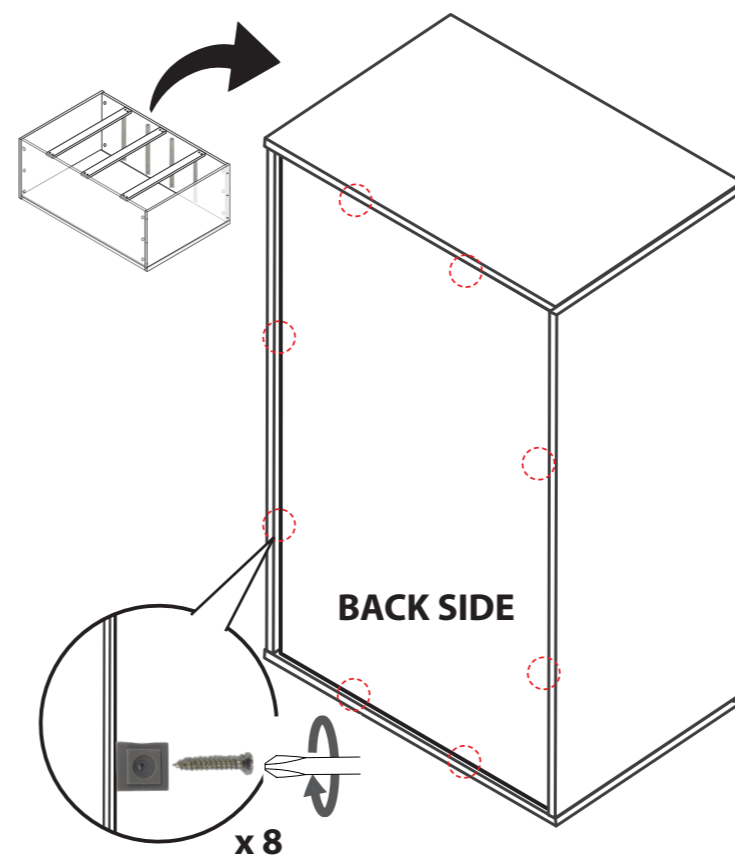
5



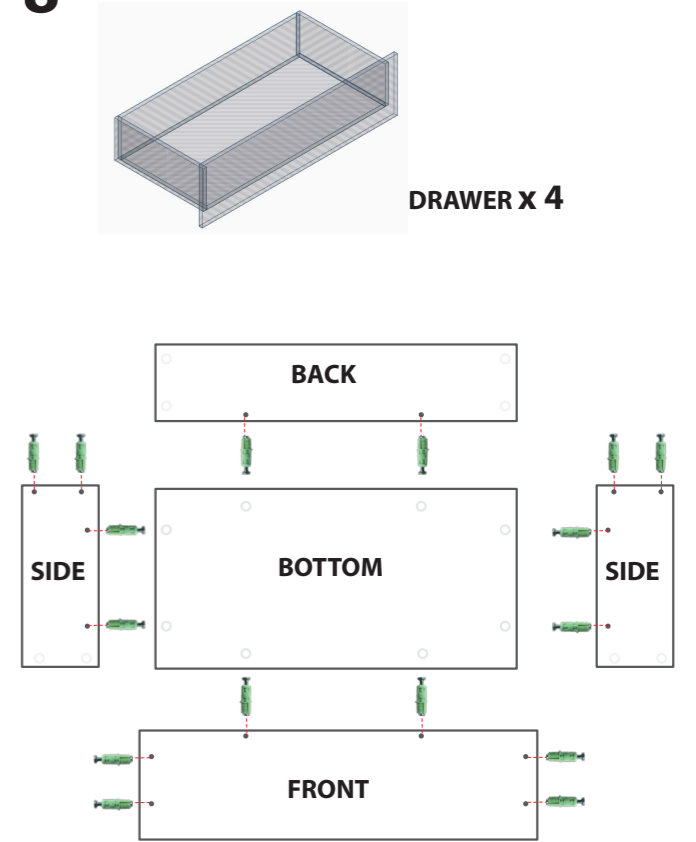
6



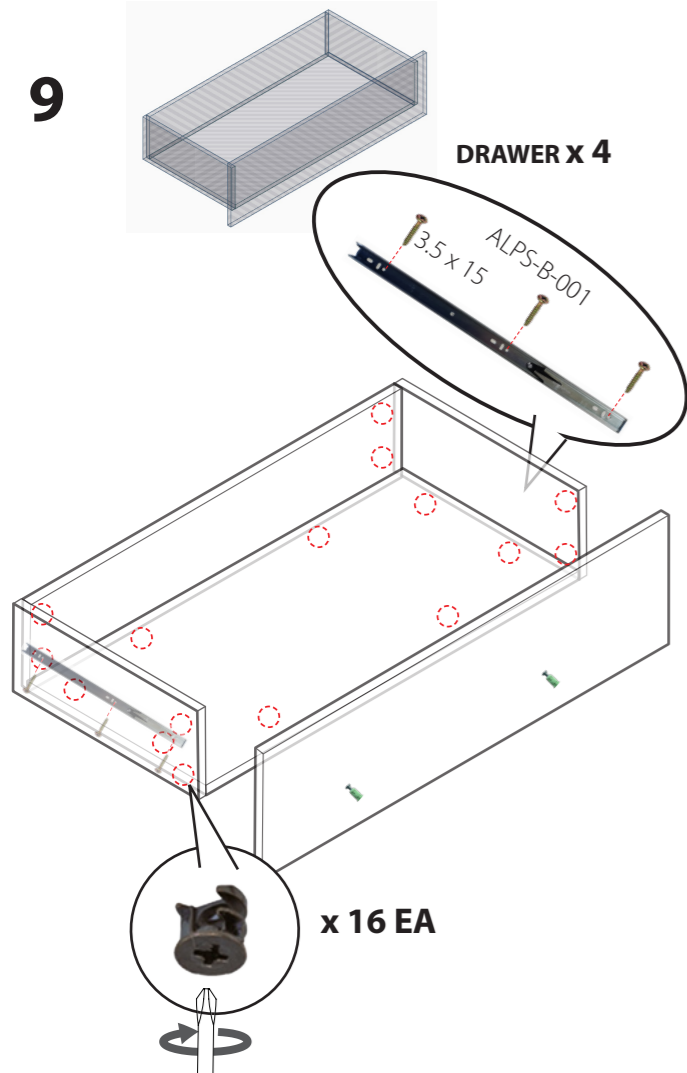
7



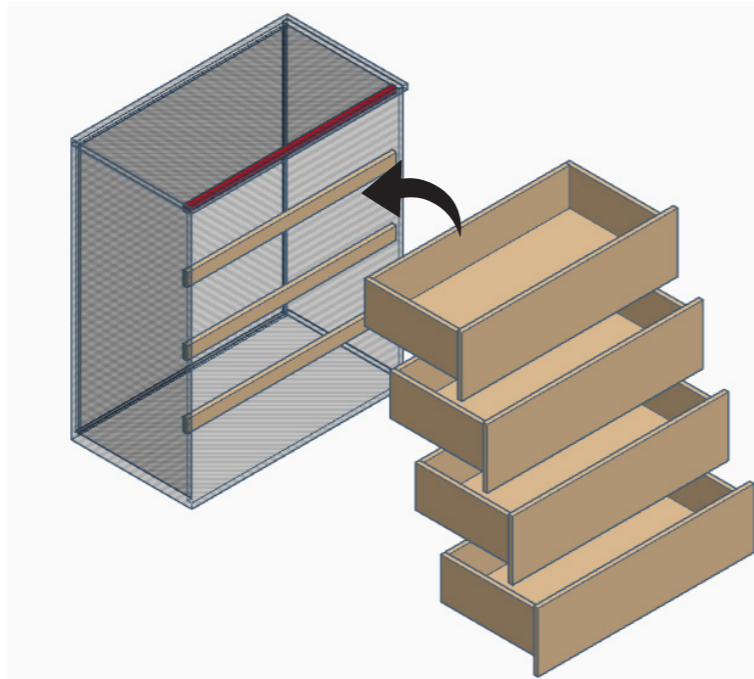
8



9



10



11



12

