

INSTALLATION INSTRUCTION

(US / UK)

ARM CHAIR



WARNING

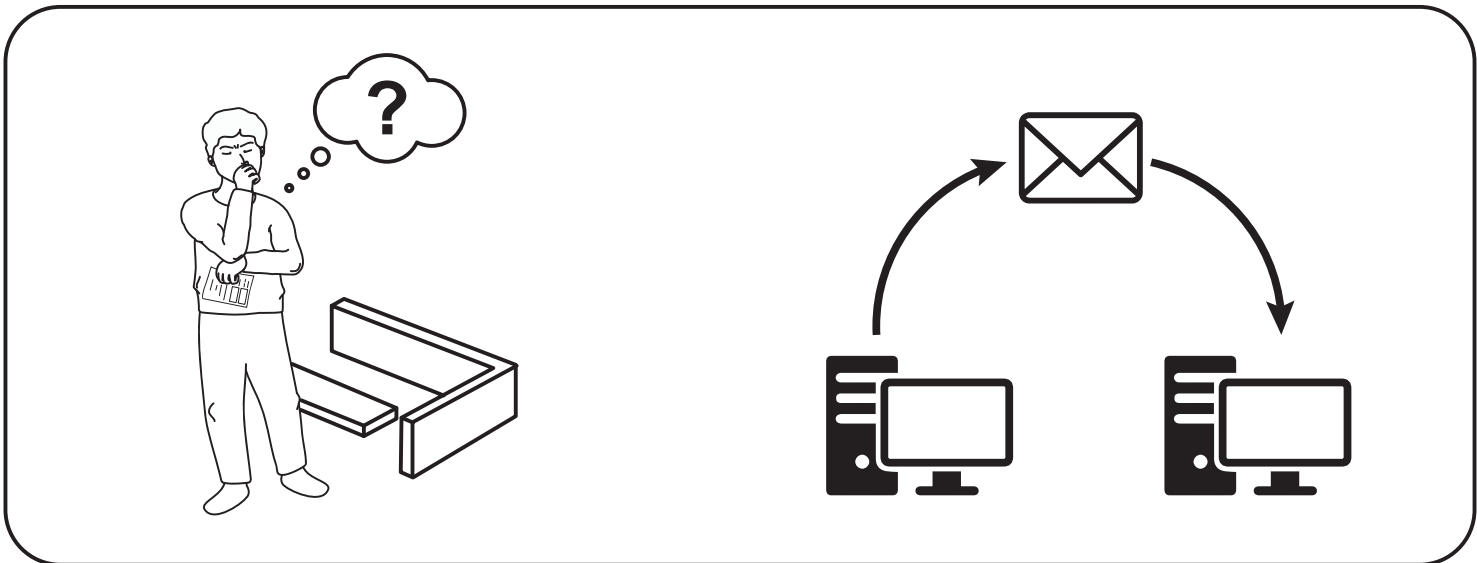
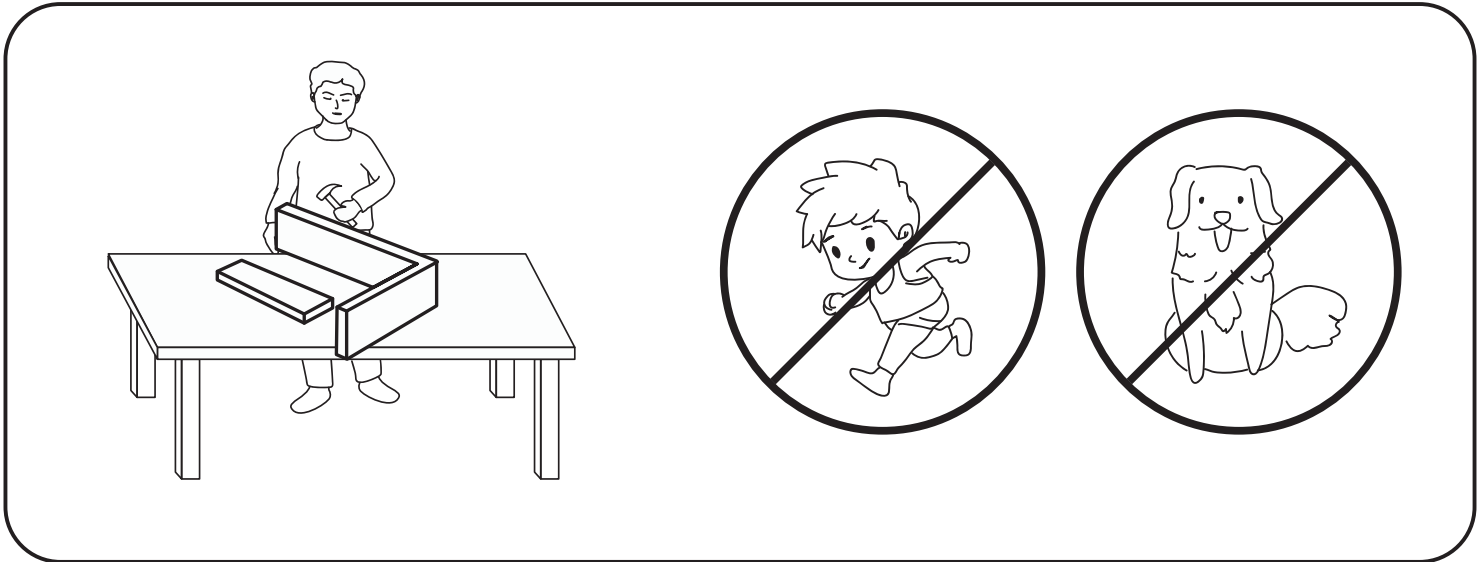
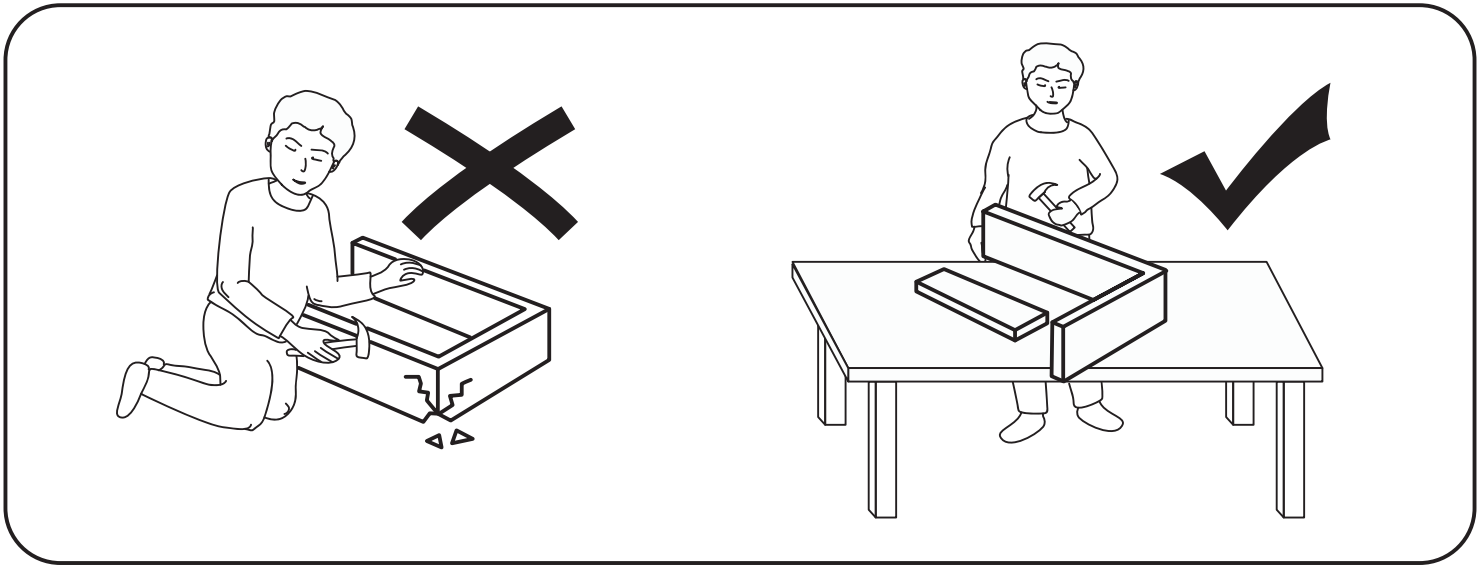
- To avoid the risk of suffocation and foreign-body ingestion, keep children under three years old and pets away from plastic bags and small parts during assembly. Please dispose of the packaging materials correctly before use.
- Before sit on the seat, ensure it has been well settled and securely positioned.
- DO NOT leave children unattended on or beside the chair.
- DO NOT use the chair as a step stool.
- DO NOT sit on the edge of the seat, armrests or the backrest as this could make the chair tip over.
- Requires 2 people for ease of assembly!
- Weight capacity 330LBS/150KG!

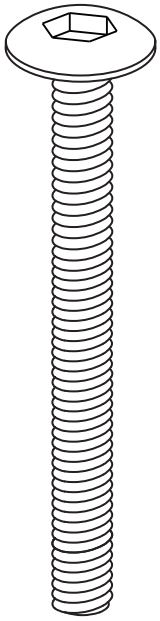
WARRANTY

- We offer every customer every chair 1-year warranty.
- Any questions or advice, welcome to contact us. Emails will receive a prompt and satisfactory response.

CARE & MAINTENANCE

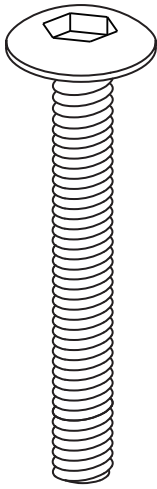
- Do not wash, bleach, tumble dry, iron, dry clean.
- Vacuum clean.
- Wipe clean with a damp cloth.
- To prevent fading, keep fabric out of direct sunlight.





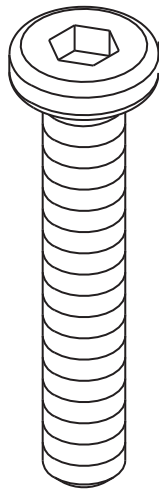
M6*70mm

Ax2



M6*50mm

Bx7



M8*50mm

Cx3



Dx2



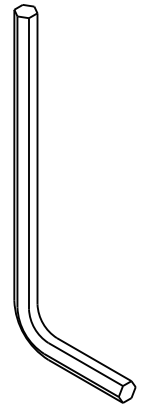
M8

Ex3

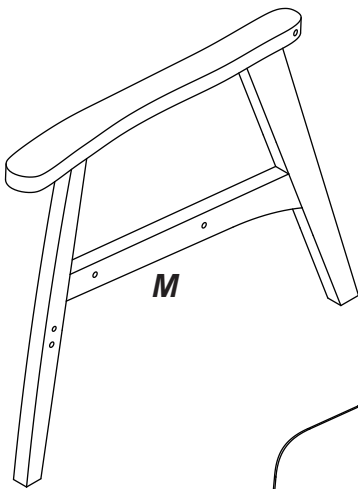


M6

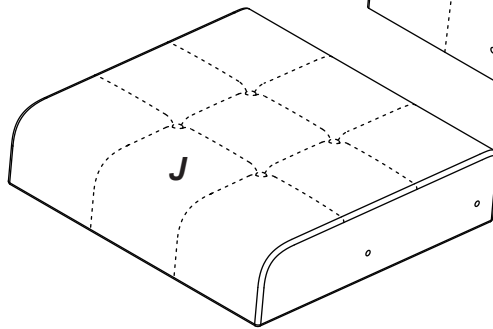
Fx9



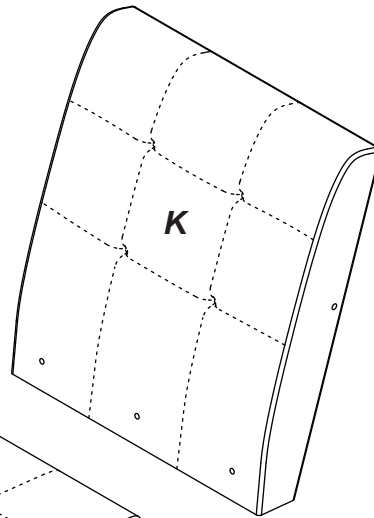
Gx1



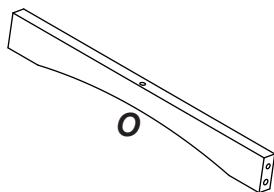
M



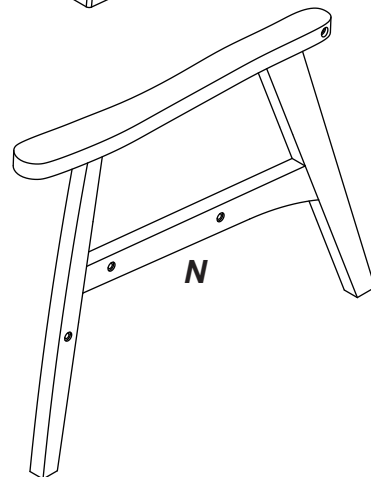
J



K

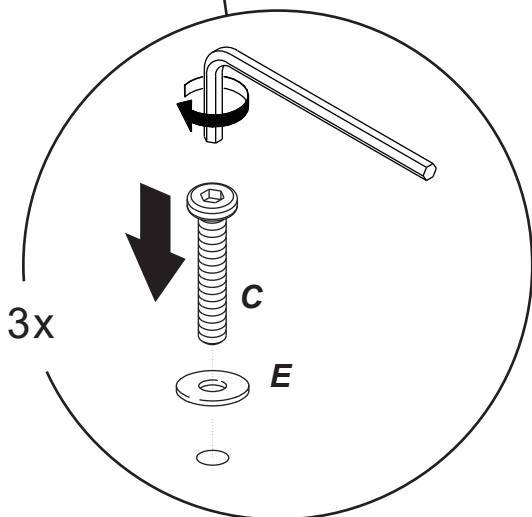
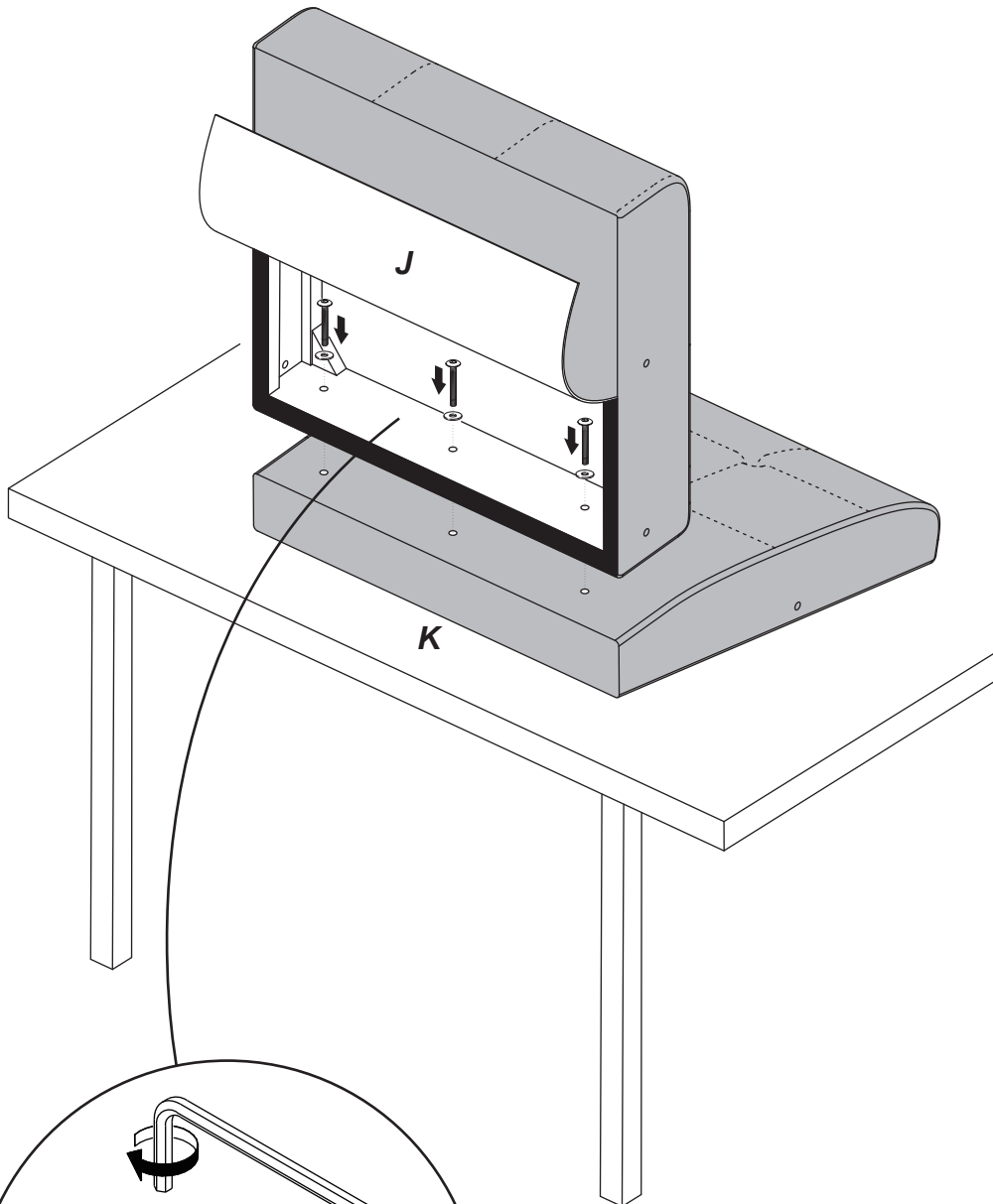
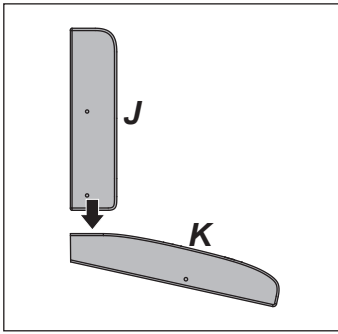


O



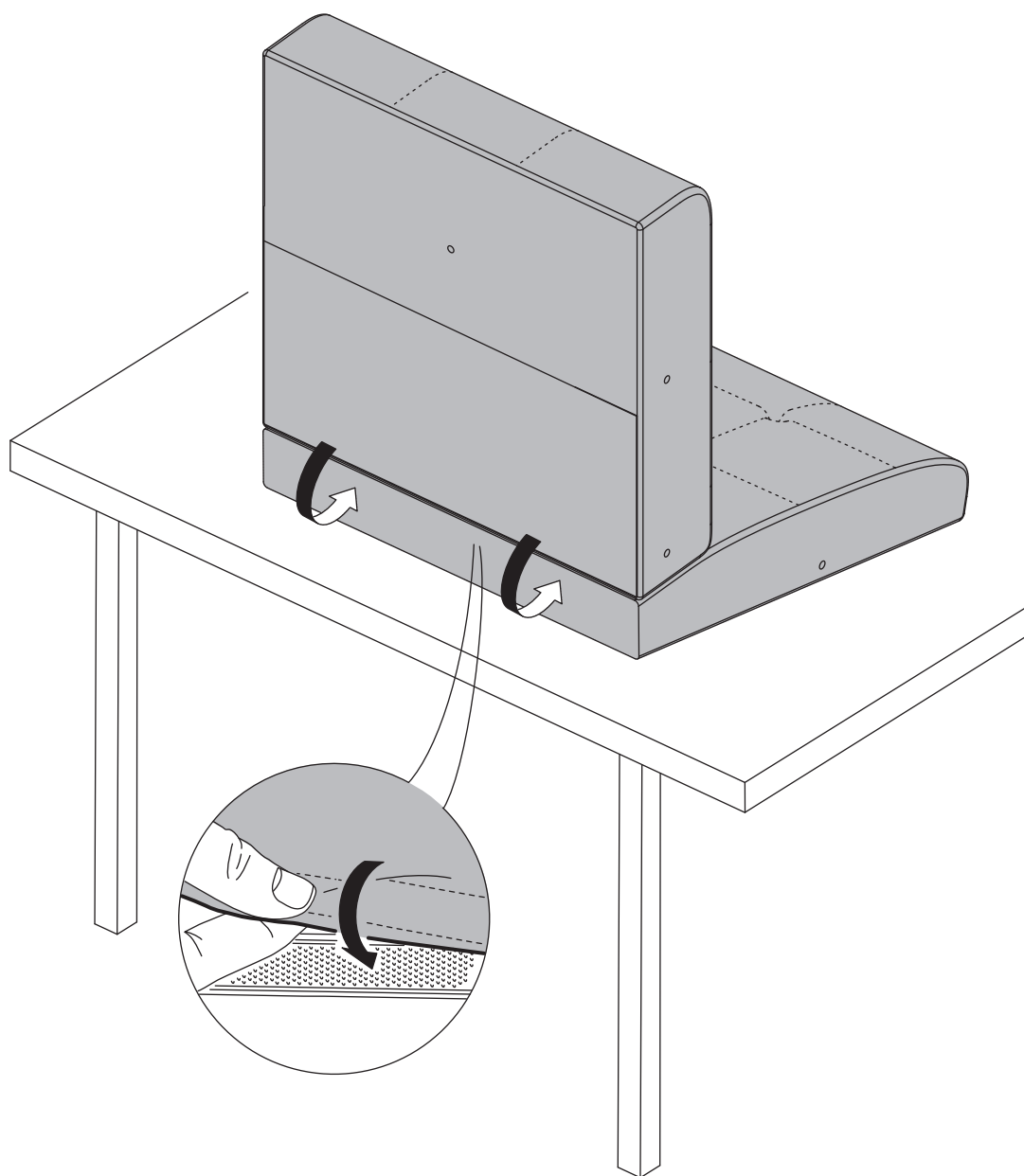
N

1

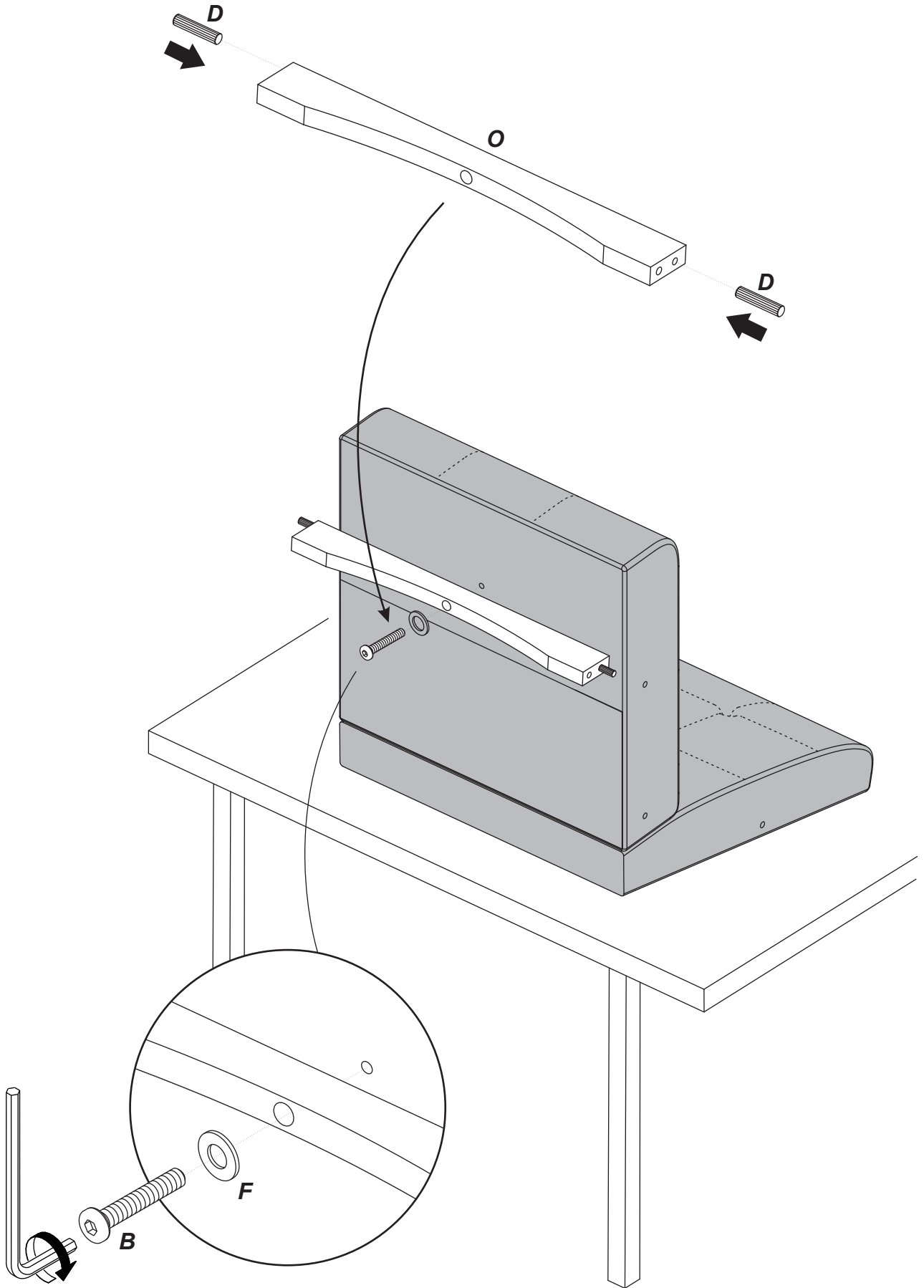


Put the screws in the holes, tight the screws, but not too tight, 70% is ok.

2

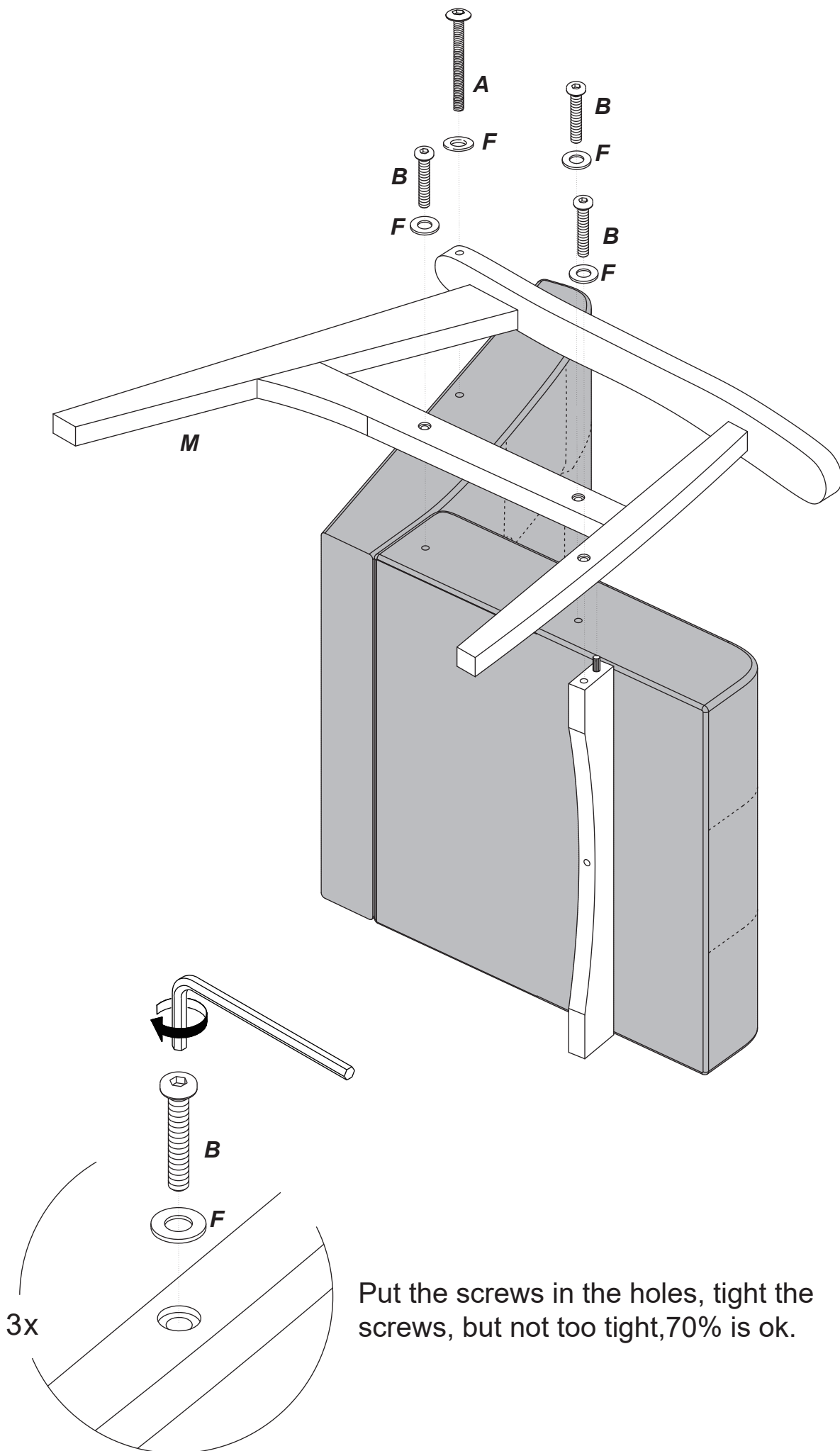


3

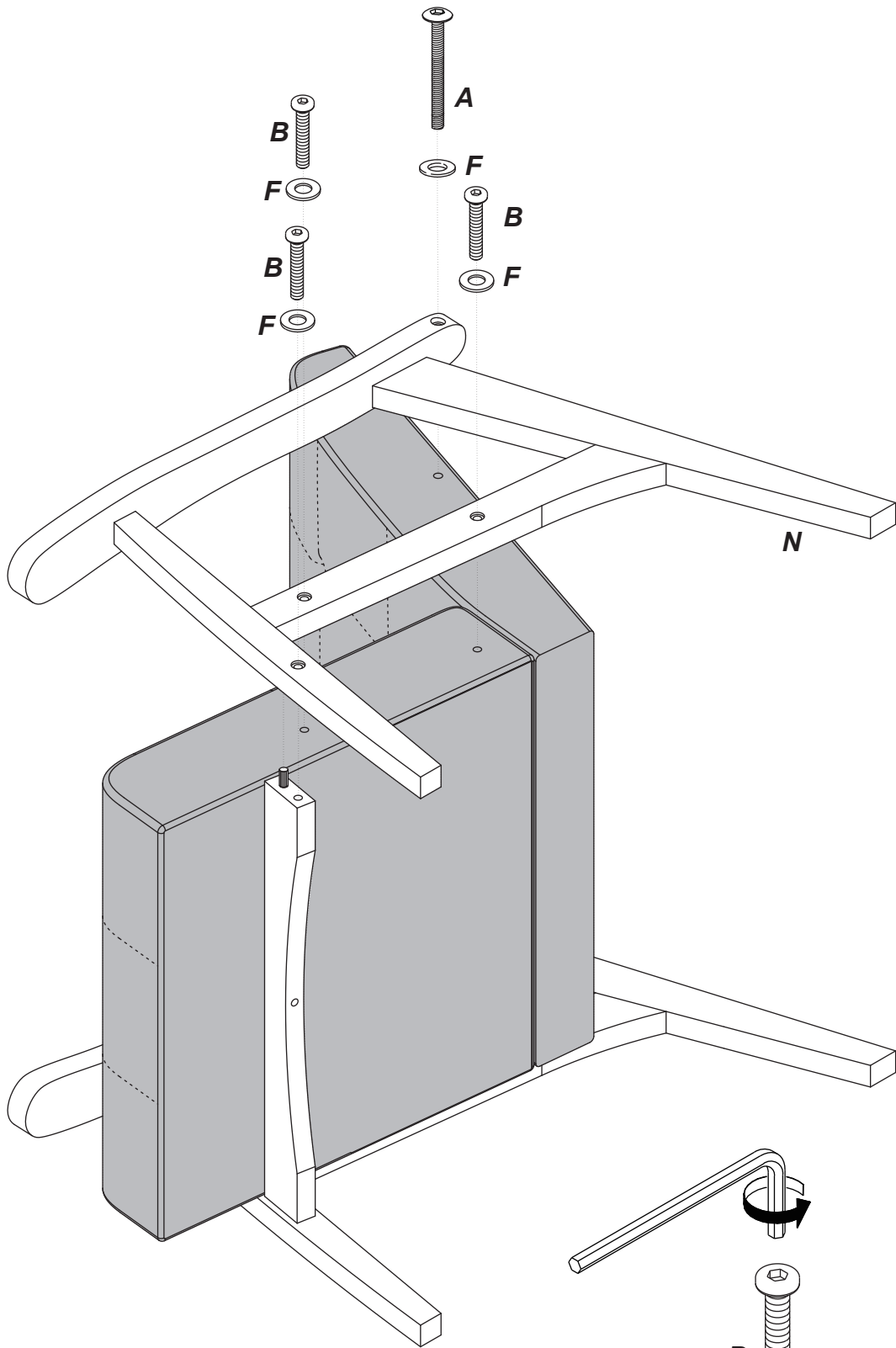


Put the screws in the holes, tight the screws, but not too tight, 70% is ok.

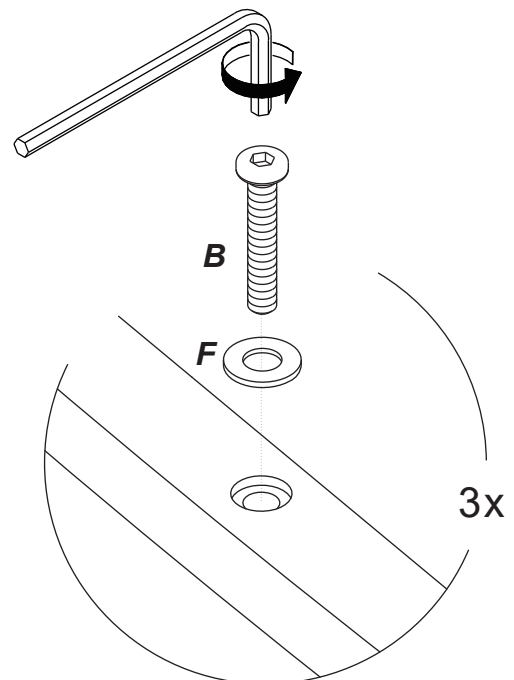
4



5



Put the screws in the holes, tight the screws, but not too tight, 70% is ok.



6

Tight all the screws to 100%.



Remarks:

After few days of initial assembly, the product may has acclimated to new environment, please tighten all screws again.