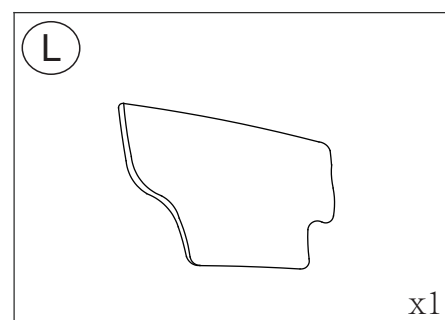
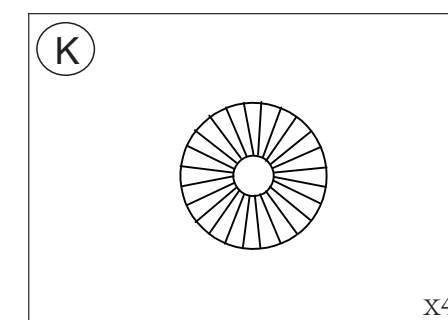
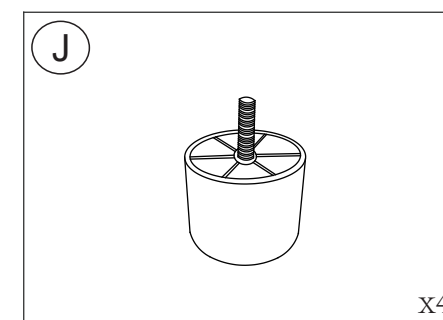
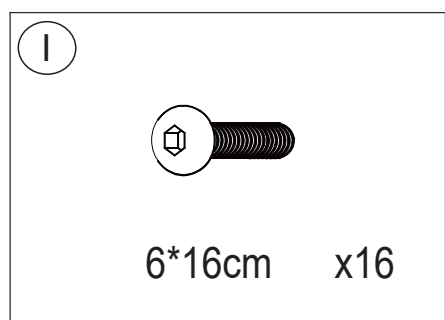
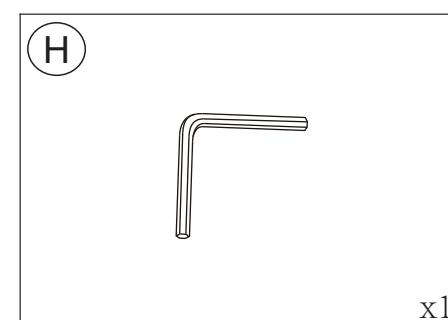
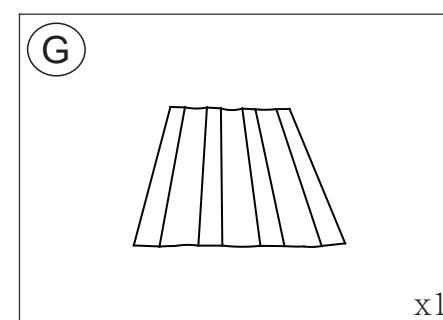
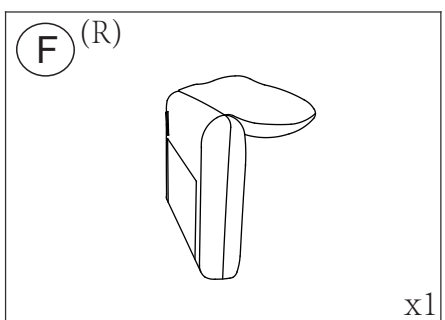
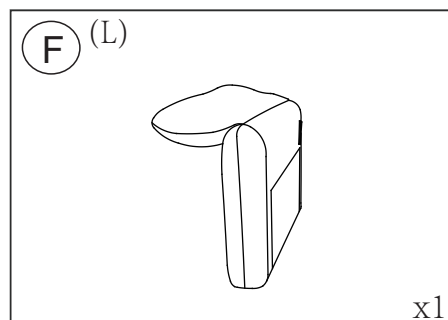
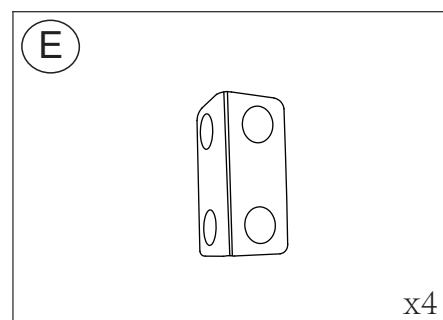
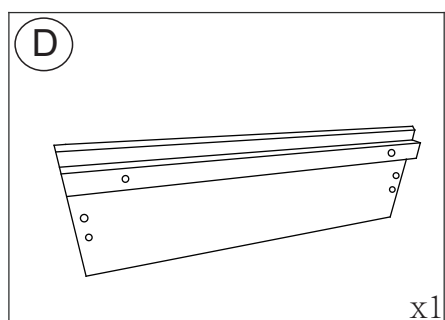
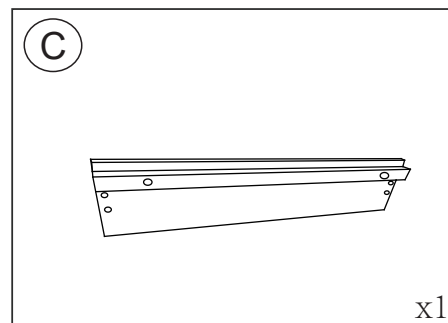
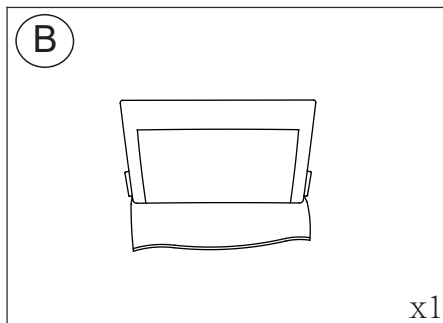
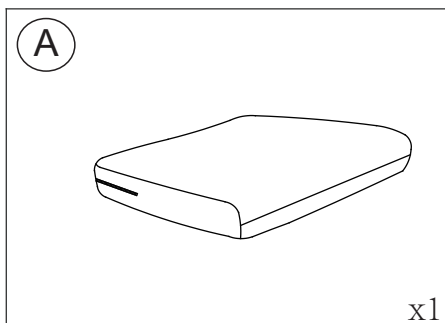


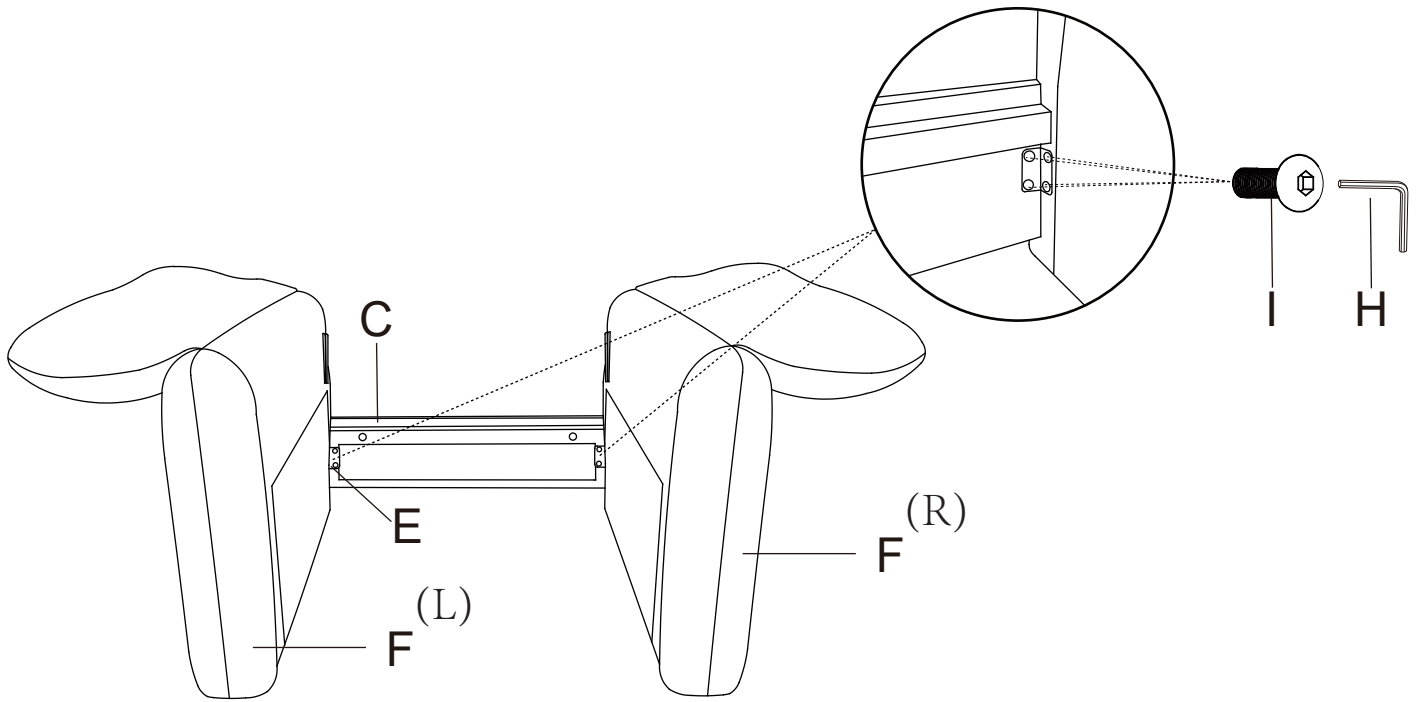
INSTRUCTION MANUAL

PACKAGE LIST

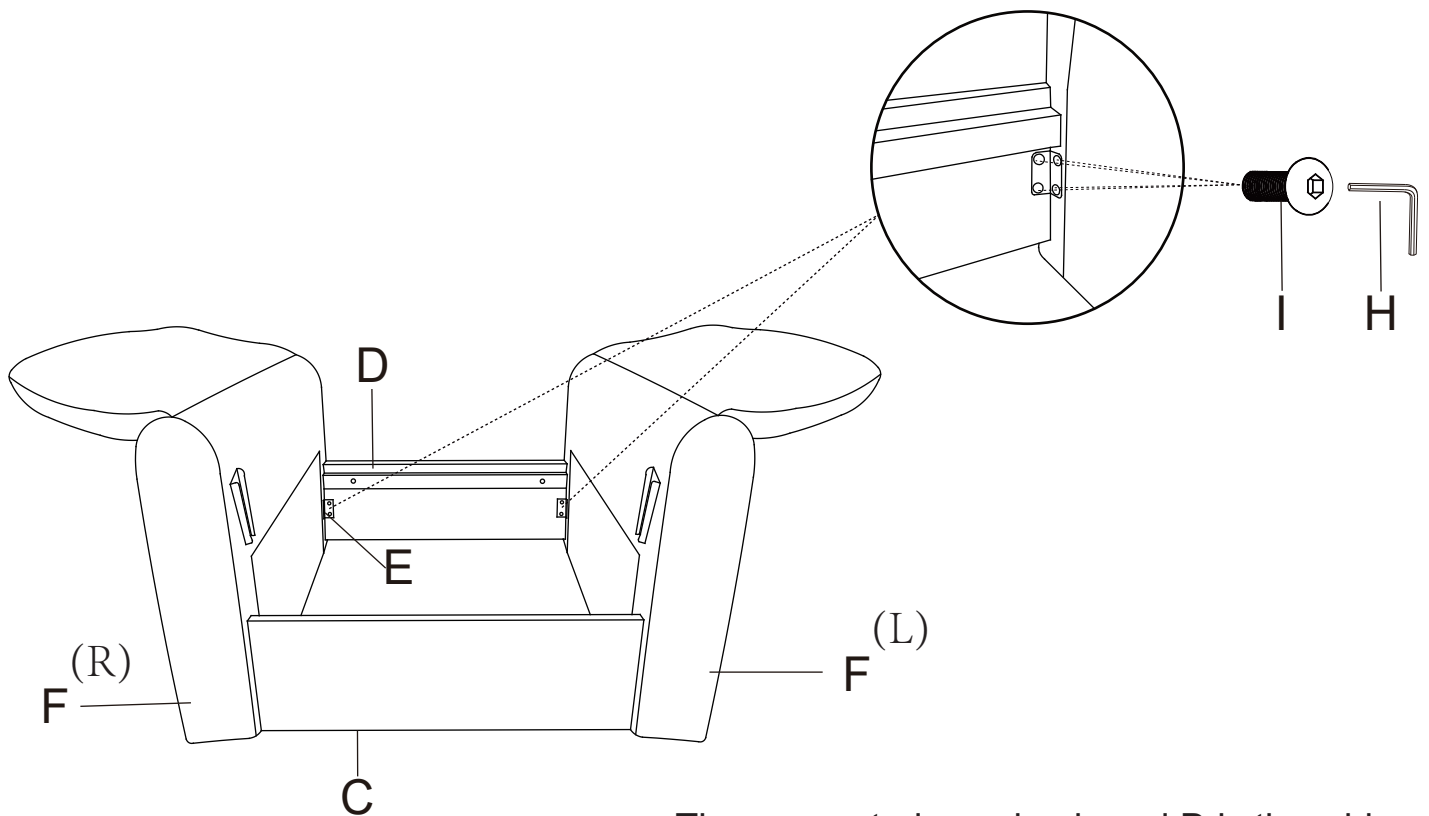
01



ASSEMBLY IN STRUCTION 02

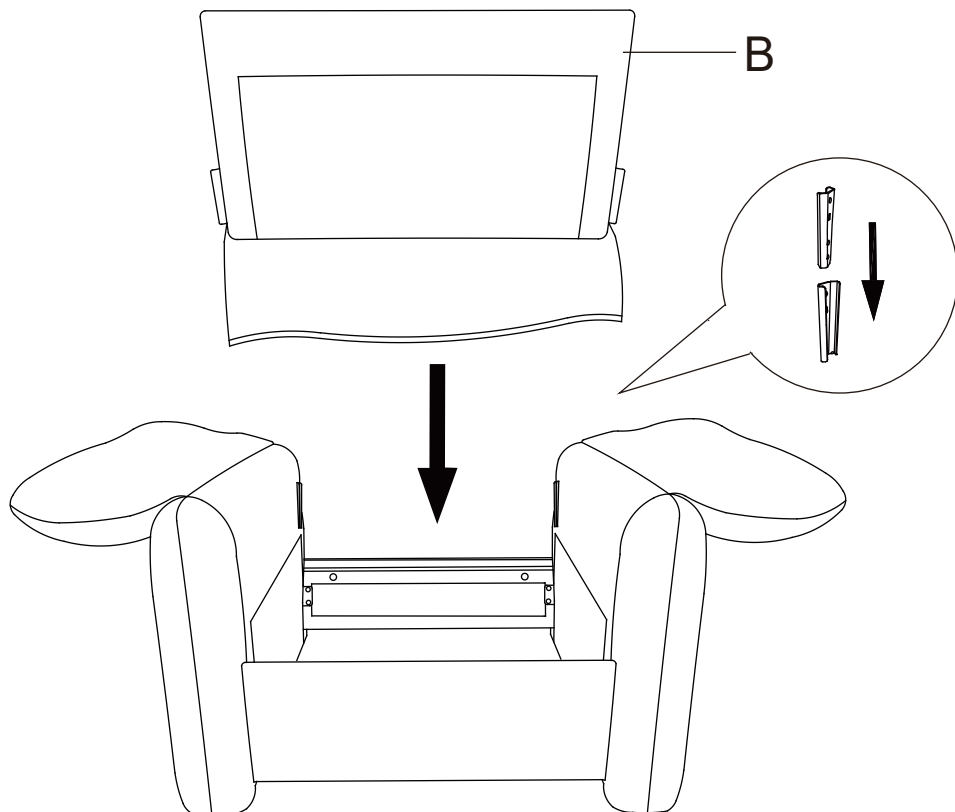
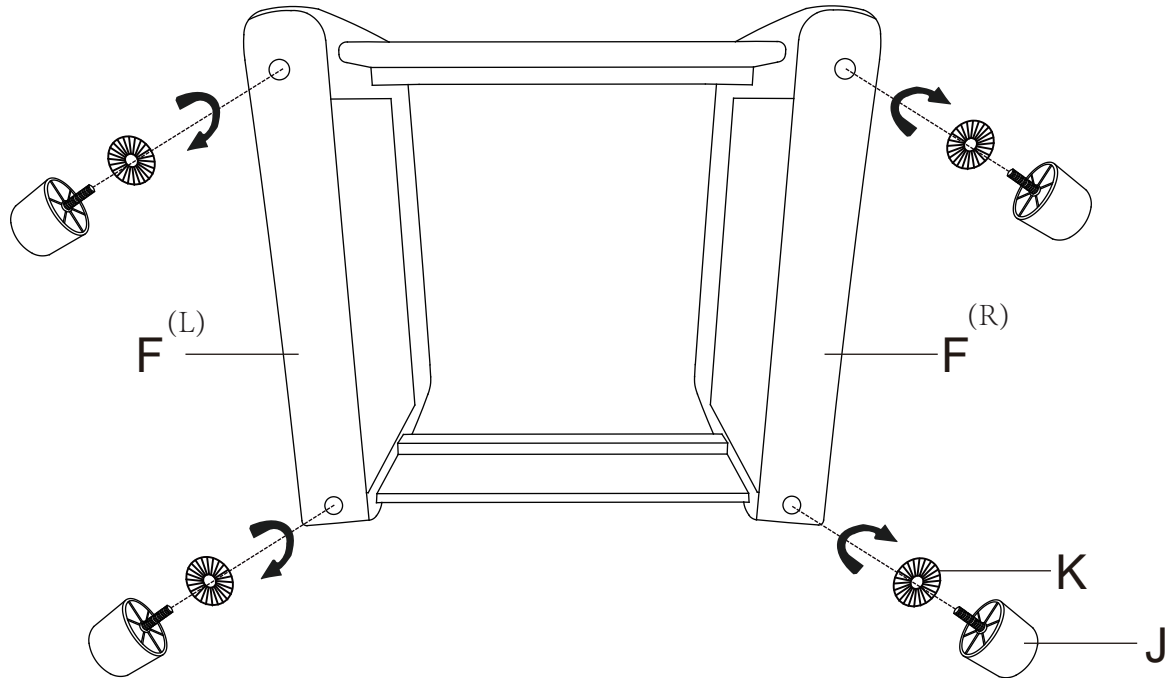


The connected wooden board C is the narrower one

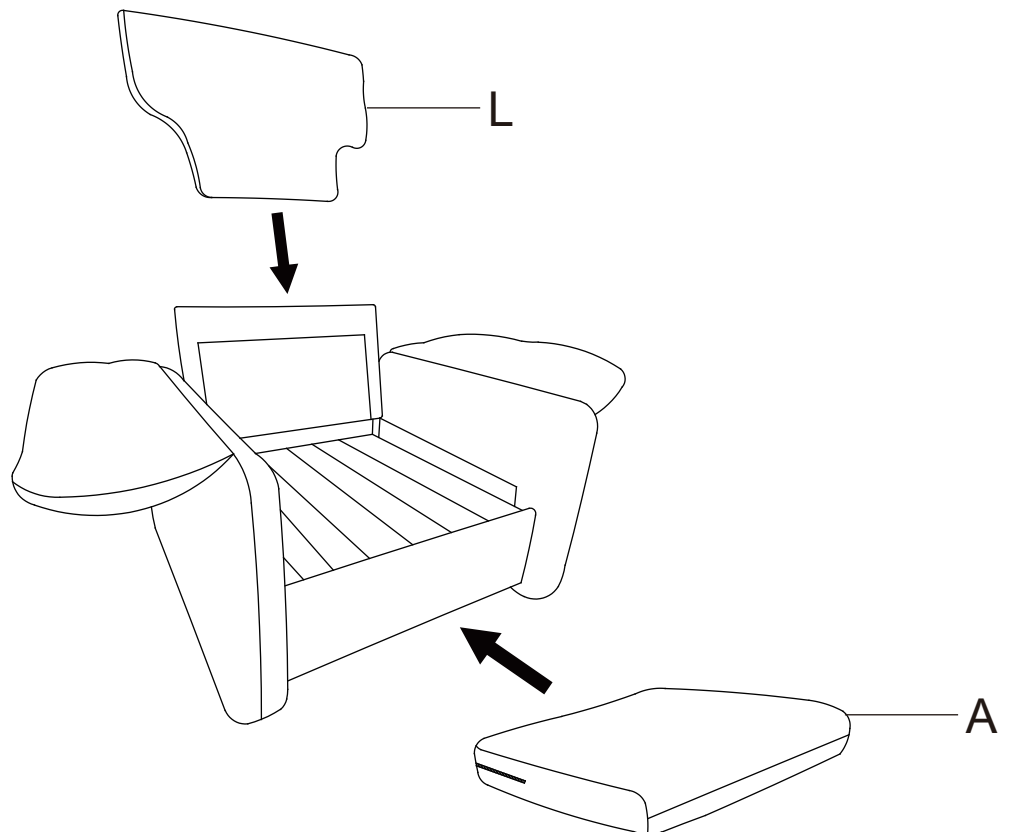
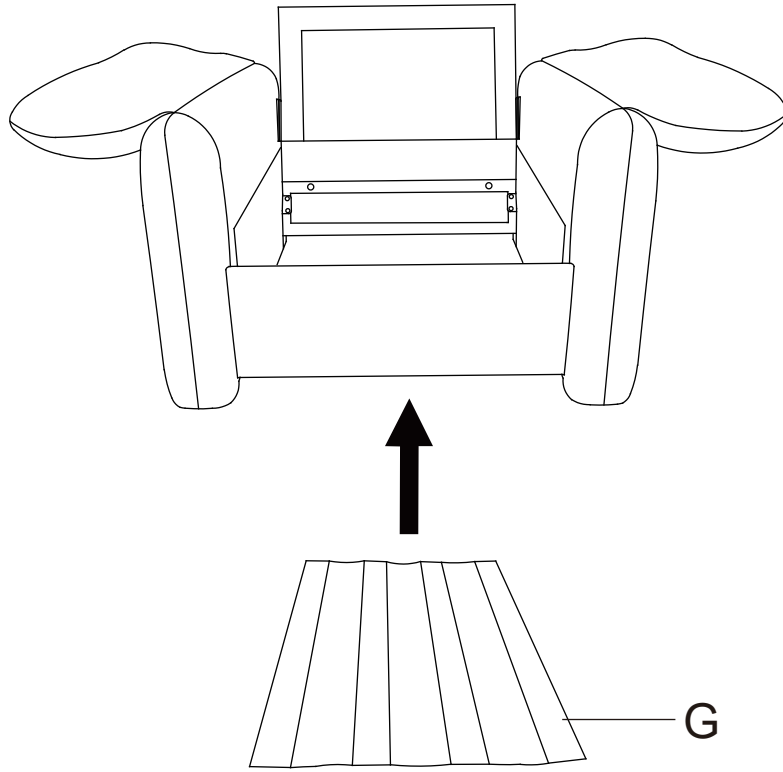


The connected wooden board D is the wider one

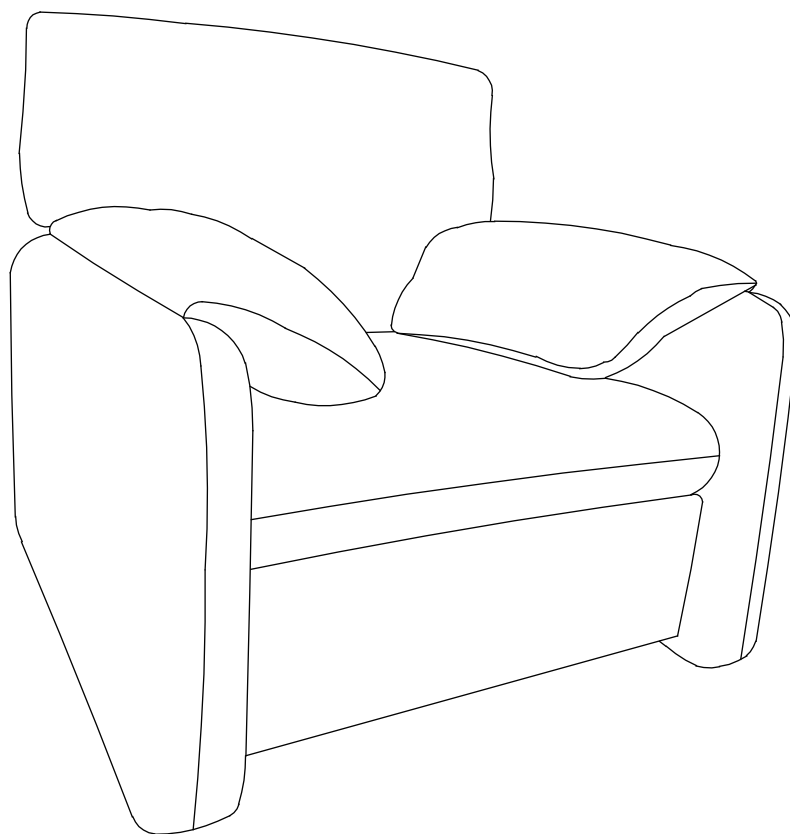
ASSEMBLY IN STRUCTION 03



ASSEMBLY IN STRUCTION 04



**Congratulations! You've assembled
Your Sofa!**



Note: Due to the compressed backrest, please repeatedly tap and adjust the backrest after product installation to help restore fullness. In about two days, you will receive a soft sofa bed as shown in the front desk picture.