
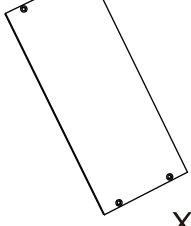

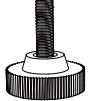
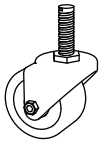
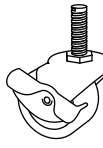
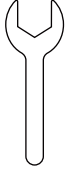
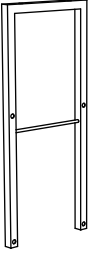
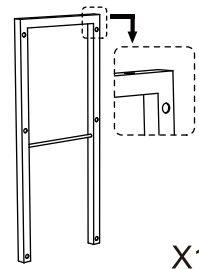
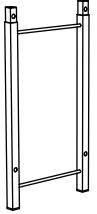
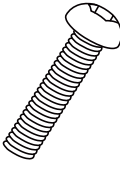
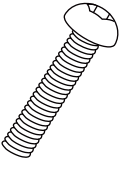
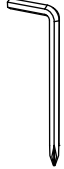
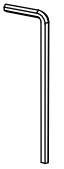
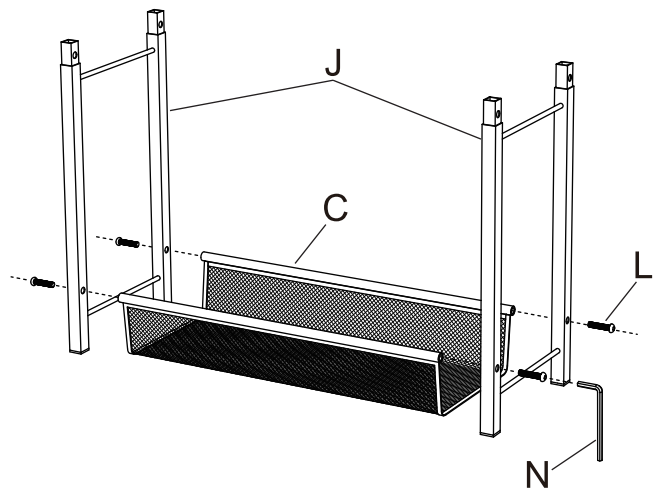


4-Tier Utility Cart

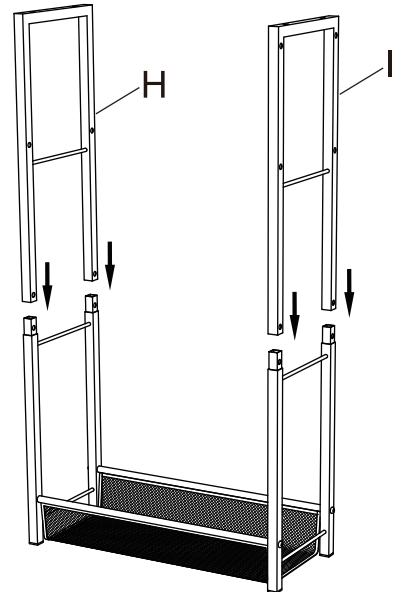
Parts List

<p>A</p>  <p>X1</p>	<p>B</p>  <p>X1</p>	<p>C</p>  <p>X3</p>	<p>D</p>  <p>X4</p>	<p>E</p>  <p>X2</p>	<p>F</p>  <p>X2</p>	<p>G</p>  <p>X1</p>
<p>H</p>  <p>X1</p>	<p>I</p>  <p>X1</p>	<p>J</p>  <p>X2</p>	<p>K</p>  <p>X2</p>	<p>L</p>  <p>X16</p>	<p>M</p>  <p>X1</p>	<p>N</p>  <p>X1</p>

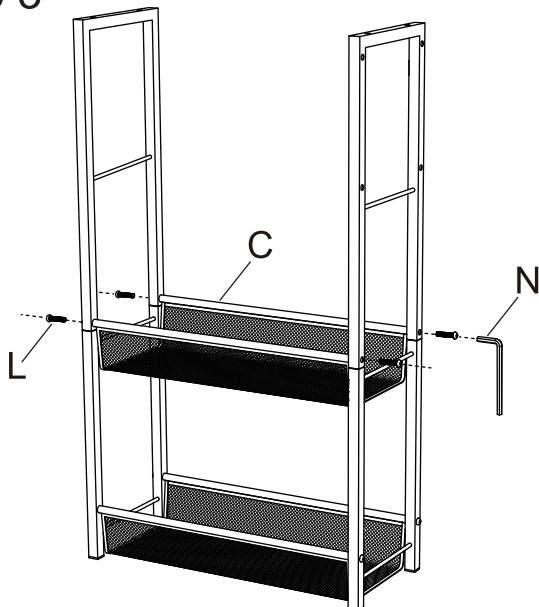
Step 1



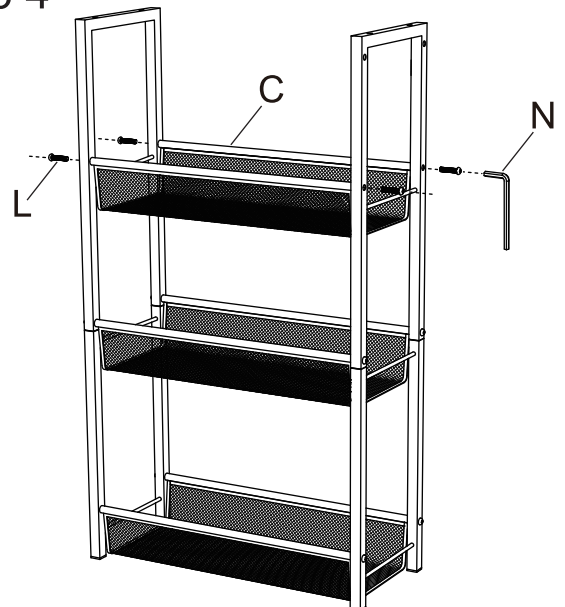
Step 2



Step 3

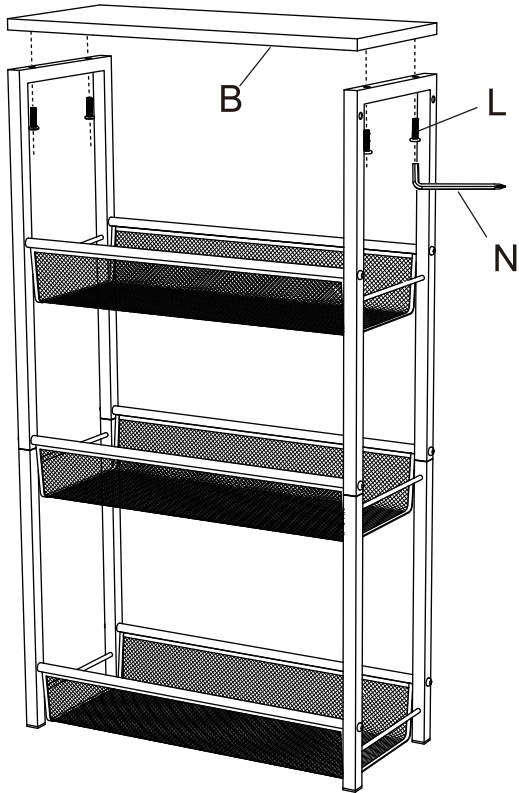


Step 4

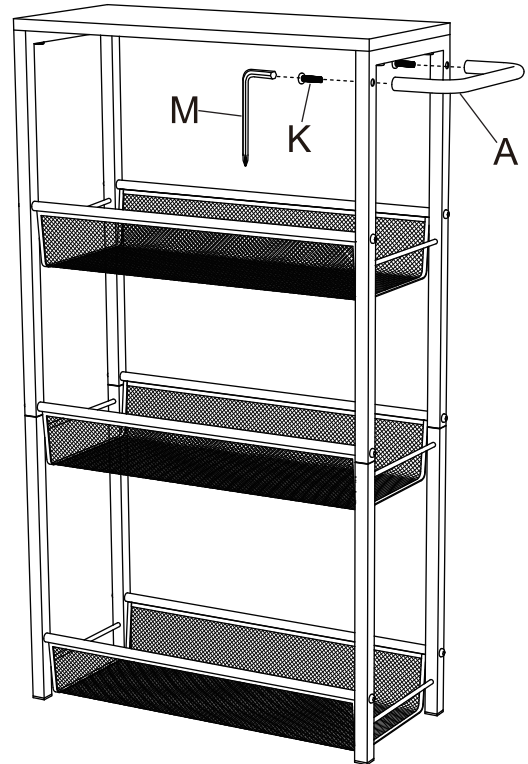


4-Tier Utility Cart

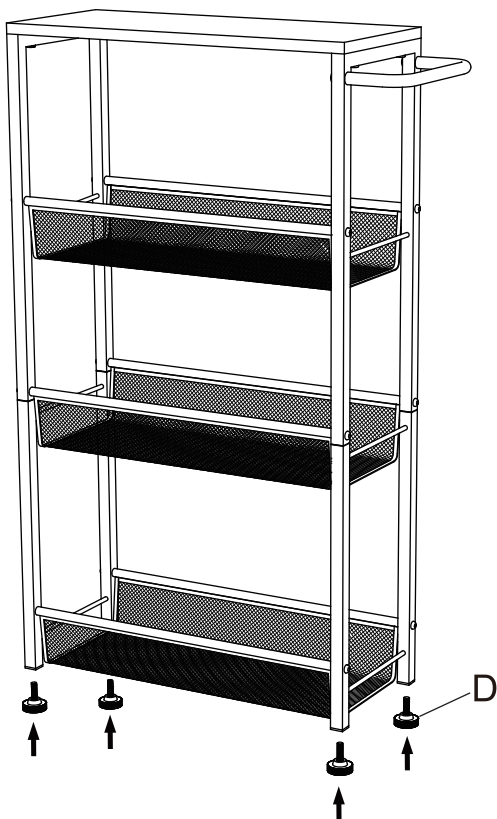
Step 5



Step 6



Mode 1



Mode 2

