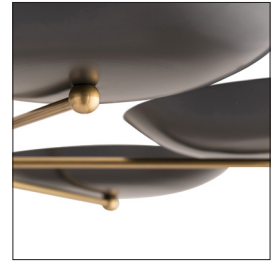
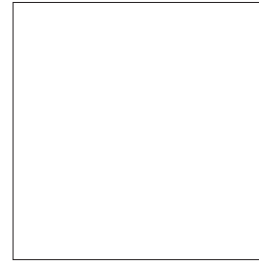
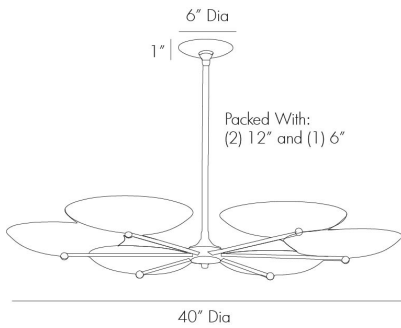


ARTERIORES

GRIFFITH CHANDELIER



89047

H: 11 IN, H: 29 IN, W: 30 IN, Dia: 40.00 IN, D: 24 IN

Antique Brass

Contract Suitable As Is

Delicate in nature, the Griffith Chandelier balances a severe bronze finish with an elegant antique brass frame. The bronze plates face upwards, diffusing the light and creating a warm, even glow. Damp-rated, although limited covered outdoor conditions may affect finish. finish will vary. Additional pipe available (PIPE-101).

APPEARANCE

Material	Crystal, Steel
Finish	Antique Brass, Bronze, Clear, Heritage Brass, Matte White
Top Coat/Sealant	true

DIMENSIONS

Chandelier	35 IN H: 4 IN, H: 27 IN, W: 30 IN, Dia: 40.00 IN, D: 24 IN
Canopy	H: 1 IN, Dia: 6.00 IN, Dia: 5.75 IN

WIRING

Rating	Damp
Cord	1 IN, 10 FT IN, Clear/Silver, SVT
Socket	6, 8, Type B=E12 Other
Maximum Watt	40
Voltage	110-120 V

CERTIFICATIONS

Cerifications	Mexico Australia, European Union, United Arab Emirates, United States, Canada
---------------	--

COMPLIANCY

UL/ETL	Yes
CB	Yes
RoHS	true

SHIPPING

Product Weight	13 LBS
Gross Weight 1	23.5 LBS
Shipping Box 1	H: 7 IN, H: 11 IN, L: 43 IN, L: 25 IN, W: 43 IN, W: 25 IN

REPLACEMENT PARTS

Replacement Part 1	CHN-200, CHN-201, PIPE-101
Replacement Part 1 Dim	(1) 6" and (1) 12" rods, 3'
Replacement Part 2	CANOPY-106, CANOPY-338, CANOPY-339
Replacement Part 2 Dim	1" x 5.75" Dia, 1" x 6" Dia