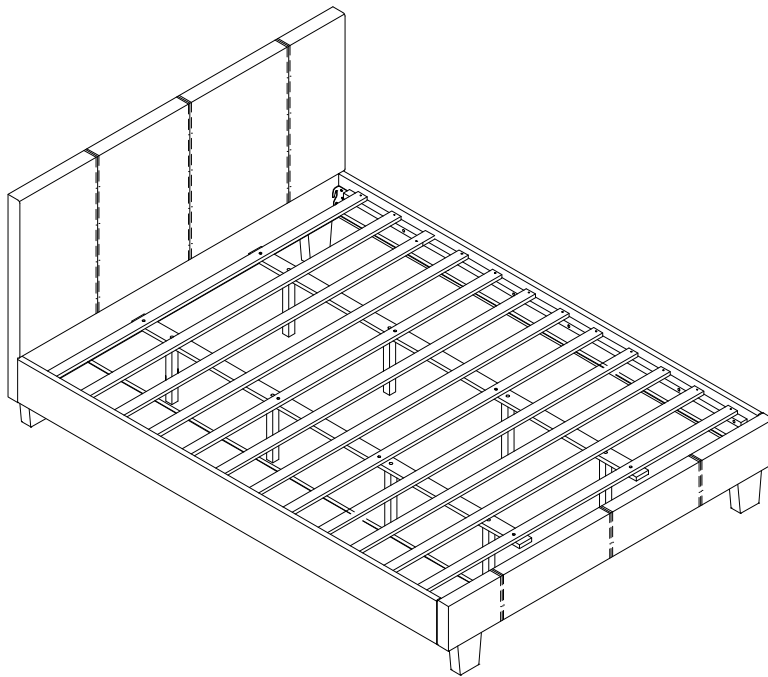


ASSEMBLY INSTRUCTIONS

MODEL #

CM7008EK/CK

Questions?



TOOLS REQUIRED



Allen Wrench

(Included)



Phillips
Screwdriver

(Not Included)



3 - People
Recommended

ASSEMBLY RATING



EASY —————> DIFFICULT

The Assembly Rating is a 5-point system showing the level of effort needed to assemble a specific product.

PRE ASSEMBLY INTRODUCTION

We understand building ready-to-assemble furniture can be a challenging experience for some. To help avoid confusion, we have provided some helpful tips that may speed up the process.



Teamwork

ALWAYS have at least two people to help with transporting and assembling the product to avoid potential injury and/or damage.



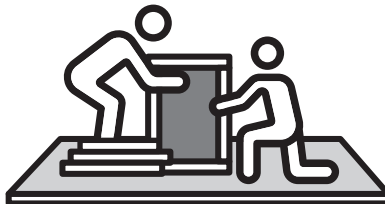
Suitable Location

Assembling near the area of the intended location is highly recommended.



Sufficient Space

Make sure you have enough space to move around during the assembly.



Avoid Scratches

Use cardboard, blankets or a carpeted area while assembling furniture to prevent to prevent scratches and damages.



Flat Surface

Make sure the furniture rests on a flat and level surface with each leg evenly touching the floor.

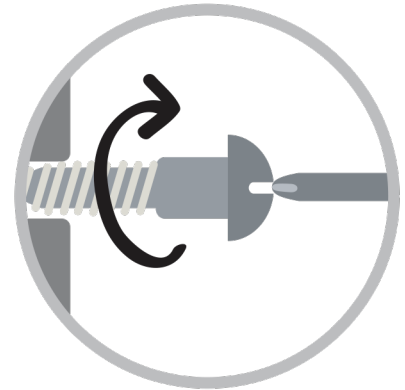
ASSEMBLY AND CARE ADVICE



FAILURE TO FOLLOW THE GUIDELINES BELOW MAY RESULT IN INJURY AND/OR PROPERTY DAMAGE.



Position each part correctly and insert screws or bolts into their respective holes.



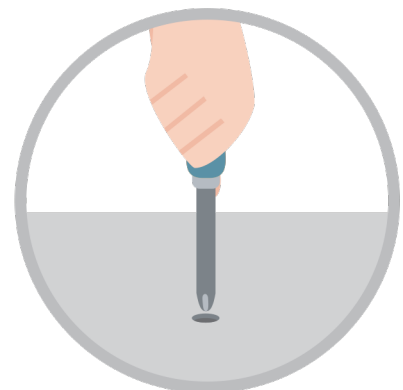
Turn clockwise to tighten and only tighten when step is completed or when instructed to do so.



Use the appropriate hand tools or power tools for assembly. Select steps, such as tightening screws and/or bolts, may require hand tools to avoid causing damage during assembly.



Save the instructions and store any supplied tools for later maintenance.



After two weeks, check and tighten any loose hardware and repeat again every six months thereafter.

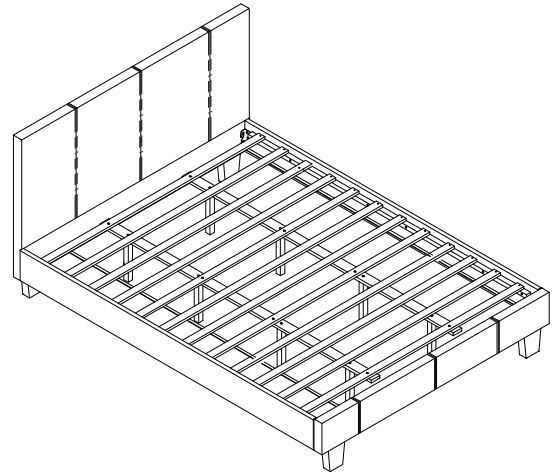
IT IS THE USER'S RESPONSIBILITY TO MAINTAIN THE FURNITURE. THE HARDWARE MAY LOOSEN OVER TIME AND MAY CAUSE THE FURNITURE TO BE WOBBLY AND UNABLE TO SUPPORT ITS INTENDED WEIGHT CAPACITY. THIS MAY LEAD TO COLLAPSE AND MAY CAUSE SERIOUS INJURY.

BED

CM7008-EK/CK

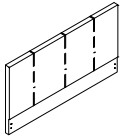


• Please keep instructions for future reference.
• Check the quantity and irregularity of parts and hardware before you start.



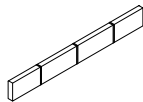
PARTS

#1 1pc



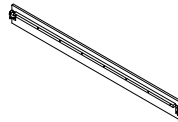
Headboard

#2 1pc



Footboard

#3 2pcs



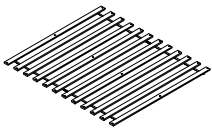
Side Rail

#4 4pcs



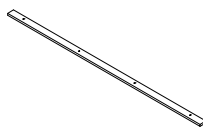
HB/FB Foot

#5 1set



Slat(12pcs)

#6 2pcs



Slat Center Support

#7 8pcs



Support leg
255x30x30mm

HARDWARE

#A 8pcs



Bolt
Ø5/16" x 4"

#B 16pcs



Lock Washer
Ø5/16"

#C 16pcs



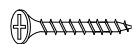
Flat Washer
Ø5/16" x 22mm

#D 8pcs



Bolt Ø5/16" x 1-1/2"

#E 32pcs



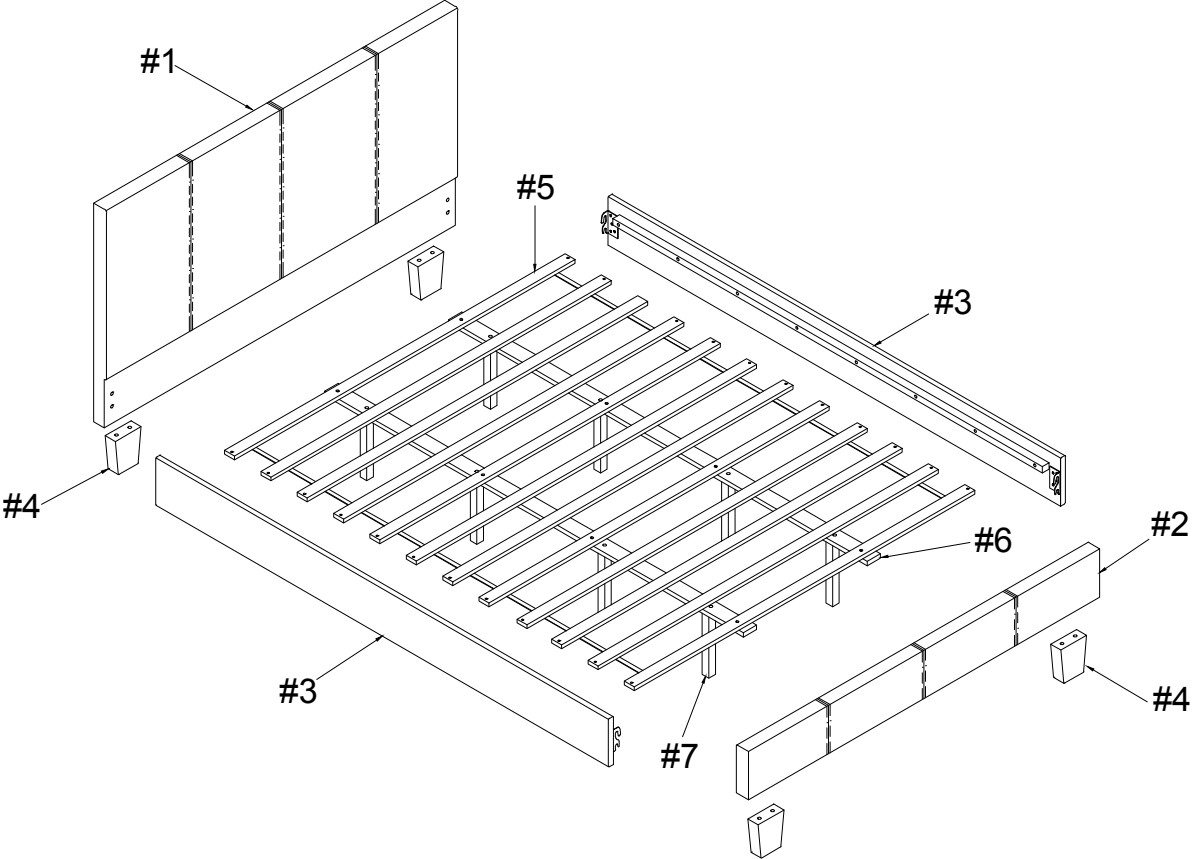
Screw #4 x 32mm

#F 1pc

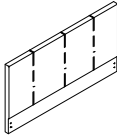
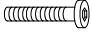


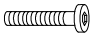

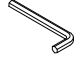
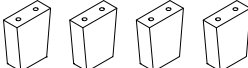
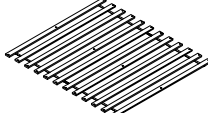
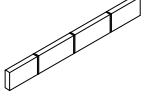

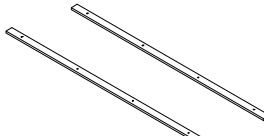
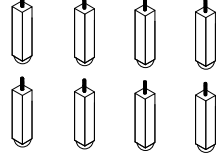


Allen Wrench 5mm

Exploded View



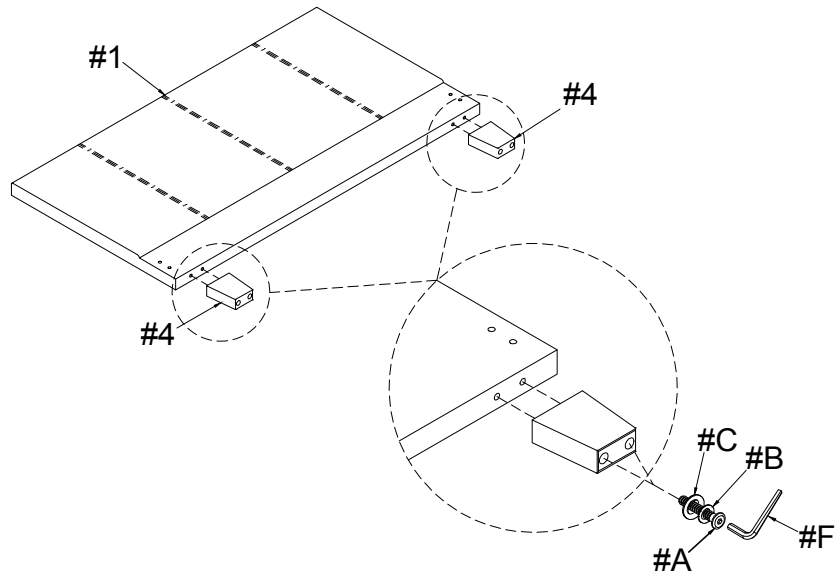
CM7008EK/CK is packed in 2 cases

Carton	Disignation	Part	Hardware
CM7008Q-HB/FB	Headboard		 #A x 8pcs  #B x 16pcs  #C x 18pcs  #D x 8pcs  #E x 32pcs  #Fx 1pc
	HB/FB Leg (4pcs)		
	Slat (12pcs)		
CM7008Q-FBR	Footboard		
	Side Rail (2pcs)		
	Slat Center Support (2pcs)		
	Support leg (8pcs)		

ASSEMBLY INSTRUCTIONS

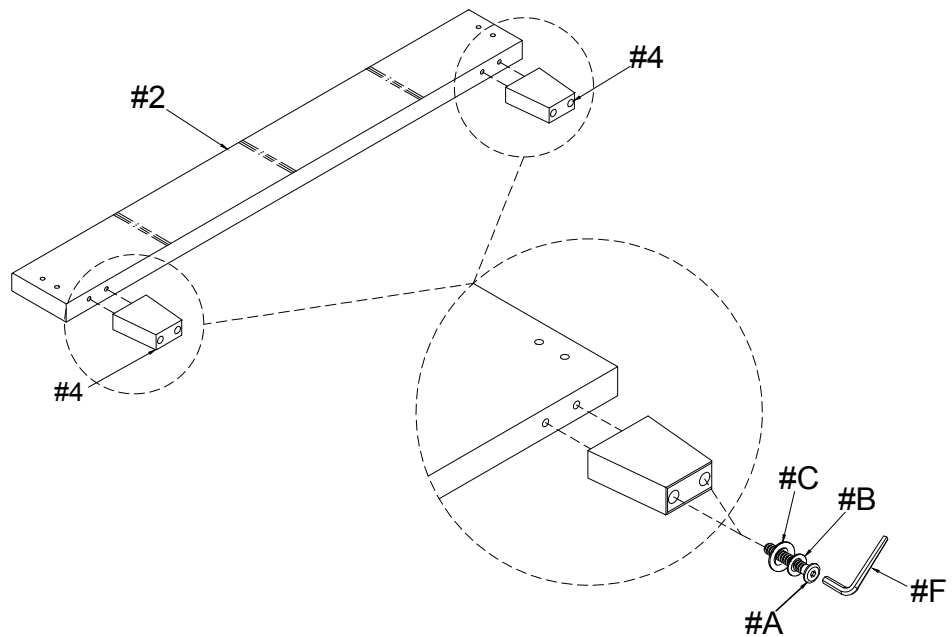
1

- Part #1 x1pc
- Part #4 x2pcs
- Hardware #A x 4pcs
- Hardware #B x 4pcs
- Hardware #C x 4pcs



2

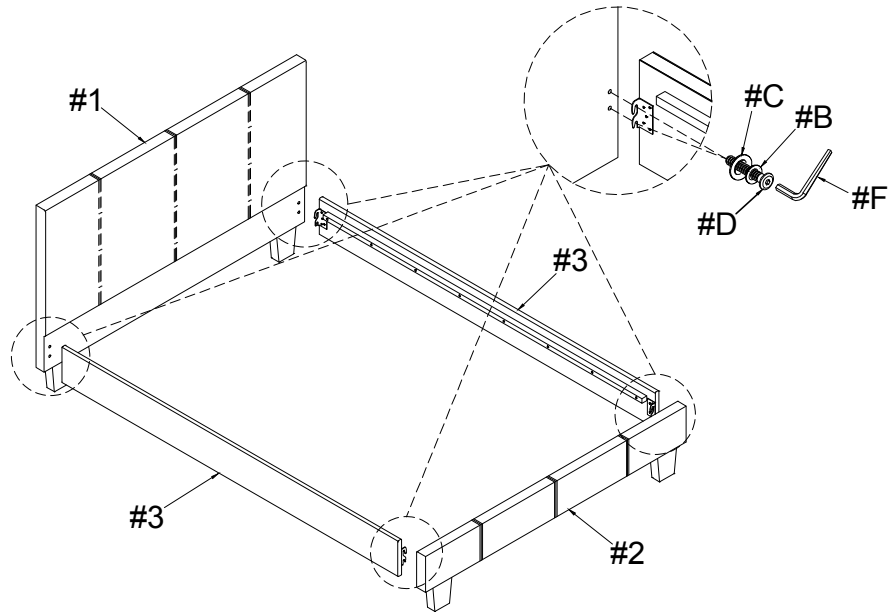
- Part #2 x1pc
- Part #4 x2pcs
- Hardware #A x 4pcs
- Hardware #B x 4pcs
- Hardware #C x 4pcs



ASSEMBLY INSTRUCTIONS

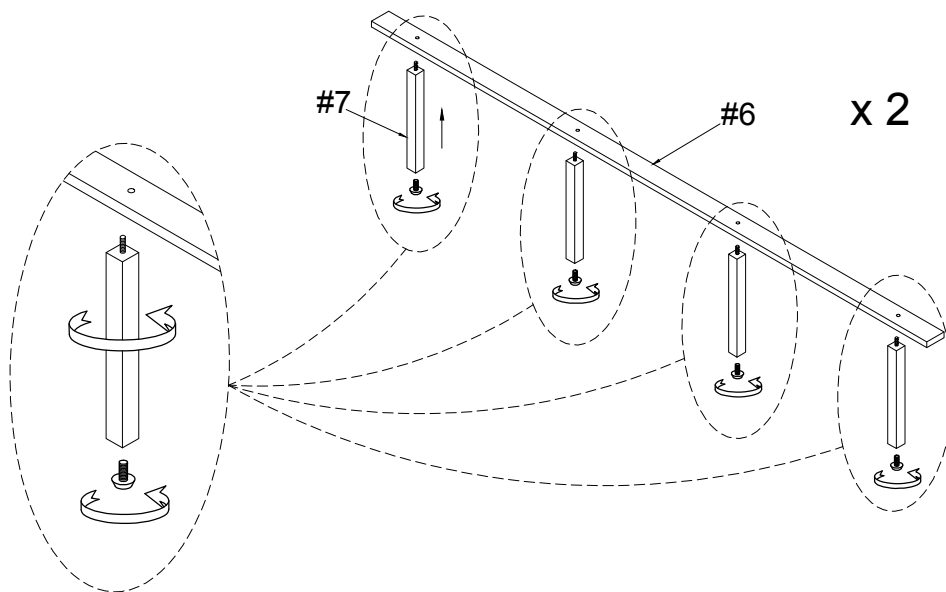
3

- Part #3 x2pcs
- Hardware #B x 8pcs
- Hardware #C x 8pcs
- Hardware #D x 8pcs



4

- Part #6 x1pc
- Part #7 x4pcs

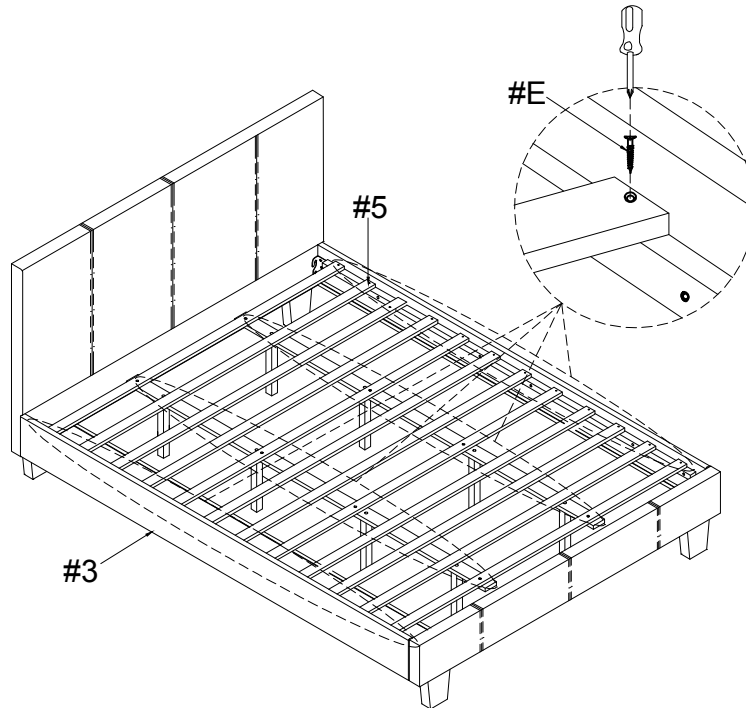


ASSEMBLY INSTRUCTIONS

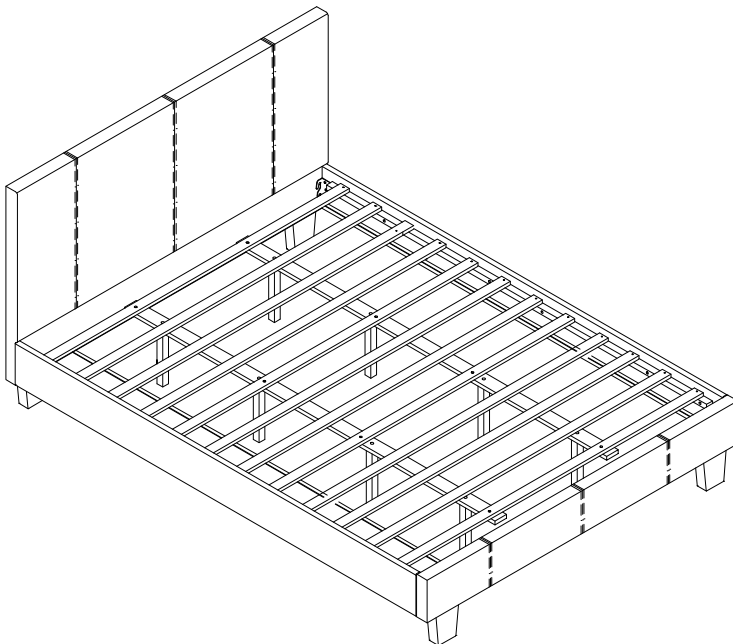
5

Part #5 x 12pcs

Hardware #E x 32pcs



6



ASSEMBLY COMPLETED



Please ensure the furniture rests on an even and flat surface. If the product wobbles or feels loose, double-check all bolts and/or screws are properly tightened and secured.



Keep this handy!

Please retain this instruction manual and any order-related information for future reference.



Lift, don't drag!

To avoid damage to product please always LIFT the product when transporting or adjusting the placement.