

**Please read these instructions
carefully before assembling.**

INSTRUCTION MANUAL

ROUND DINING TABLE 140

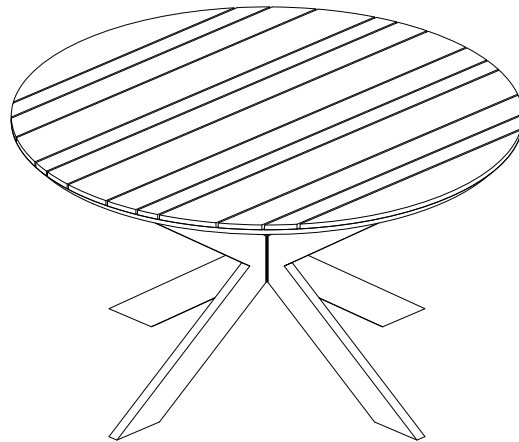
Assembly Requirements:

Number of people required to assemble - 2

Approximate assembly time - 10 minutes

Dimensions:

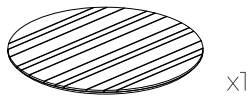
*DIA 135*76cm*



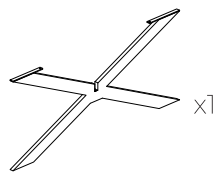
COMPONENT PARTS

Please check if you have all the parts as listed below. Note: The quantities below are the correct amount to complete the assembly. In some cases more fittings may be supplied than are required.

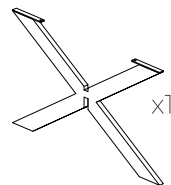
1 TOP TABLE



2 LEG 1



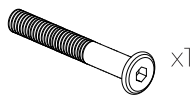
3 LEG 2



4 CONNECTOR



A BOLTS M8X85



B BOLTS M8X25



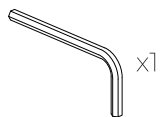
C BOLTS M6X20



D WASHERS M8



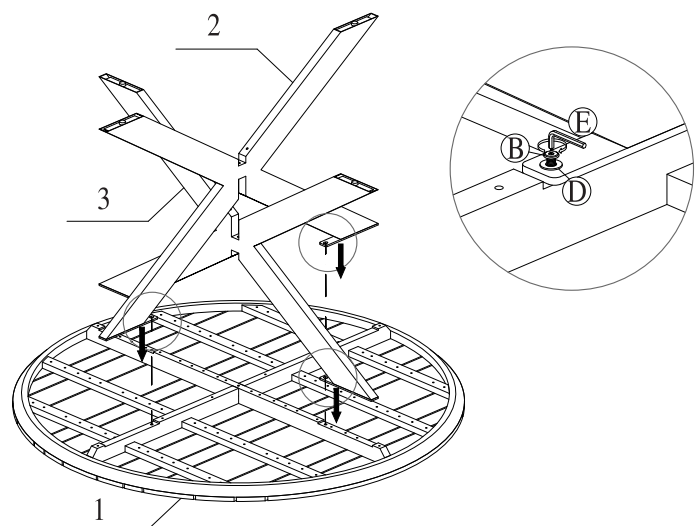
E ALLEN KEY



ASSEMBLY INSTRUCTIONS

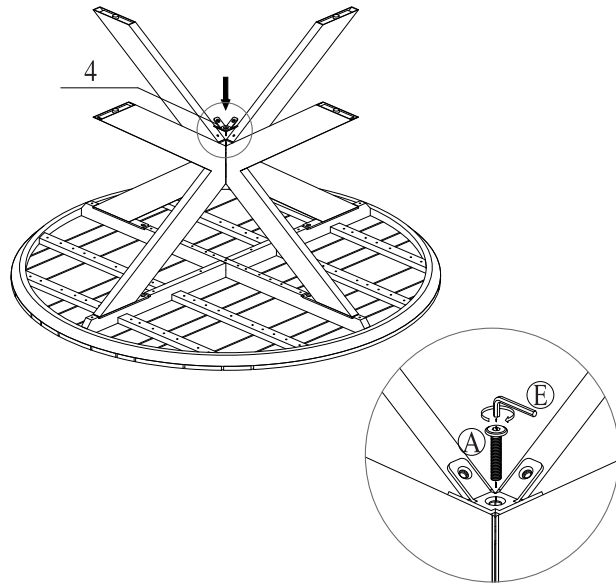
STEP 1

Ensure all the parts are at the correct positions, using the allen key (Part E) to tighten up all the bolts.



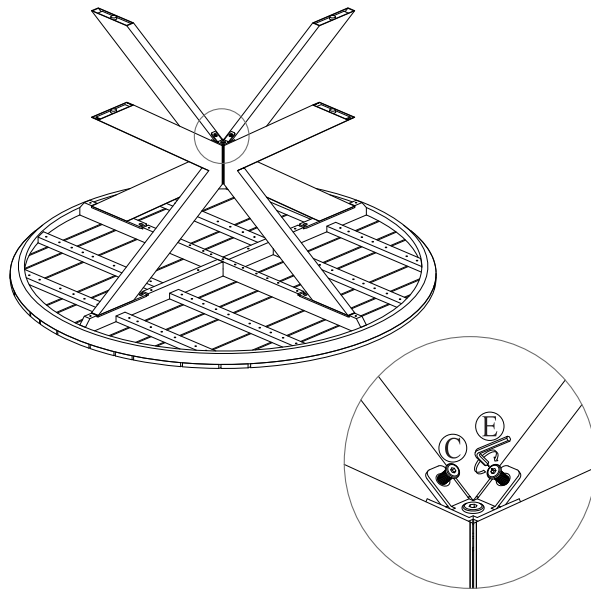
STEP 2

Ensure all the parts are at the correct positions, using the allen key (Part E) to tighten up all the bolts.



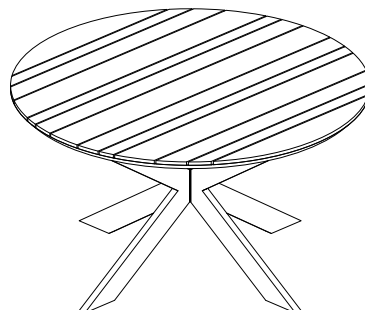
STEP 3

Ensure all the parts are at the correct positions, using the allen key (Part E) to tighten up all the bolts.



STEP 4

Carefully turn the assembled Table, and double check all the bolts are fully tightened.



Safety and Care Advice

KEEPING OUTDOOR GARDEN FURNITURE LOOKING ITS BEST IS SIMPLE AND EASY.

- *Use soap and warm water.*
- *Apply directly to the stain.*
- *Use a sponge or soft brush to clean.*
- *Rinse thoroughly.*
- *Air dry.*
- *If necessary, repeat the processes*

Crafted from premium acacia hardwood, your furniture set boasts exceptional quality. Over time, the untreated wood will gracefully transition to a silver/grey hue, showcasing its natural beauty. As a product of nature, it may undergo slight expansion and contraction with changing seasons, influenced by moisture levels. The occurrence of small cracks is both normal and anticipated.

To enhance the longevity of your wooden furniture in outdoor settings, we advise an annual treatment with a high-quality outdoor furniture oil. This simple maintenance routine will not only preserve its aesthetic appeal but also contribute to its durability when exposed to the elements of the great outdoors.