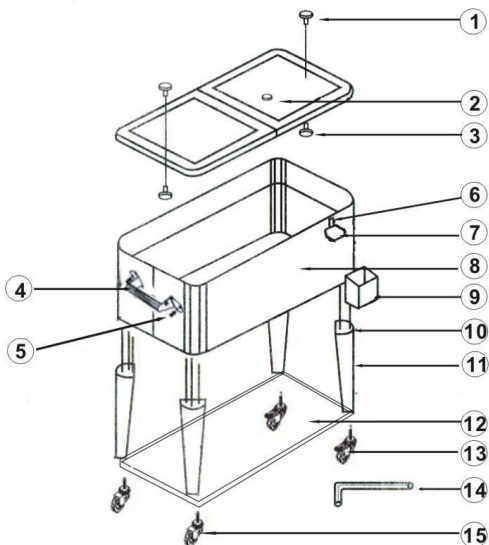


SKU:OP2226

ASSEMBLY INSTRUCTIONS:

Please read the cooler manual carefully and assemble according to following steps.



Item	Description	Qty
1	Lid Handle	2
2	Lid	1
3	M5*35 Screws	2
4	Handle	2
5	M6*16 Bolts	12
6	M6*16 Bolts	4
7	Bottle Opener	1
8	Basin	1
9	Bottle-cap Catcher	1
10	M6*16 Bolts	12
11	Legs	4
12	Bottom Tray	1
13	Casters with Lock	2
14	M6 Allen Wrench	1
15	Casters without Lock	2

1. Please make sure all parts are accounted for before beginning assembly.
2. Place main basin up-side down on clean soft surface.
3. Attach the 4 legs (part 11)to basin using the 12 M6*16 Bolts (part 10).
4. Place the bottom tray (part 12) over each leg and then screw each caster (parts 13 &15) into the legs with an open end wrench.
5. Turn over entire assembly right side-up. Press caster brake lever to lock casters (part 13) and attach left handle (part 4) to main basin using 6 each M6*16 screws (part 10) tighten with wrench. Repeat for right handle.
6. Attach bottle-cap catcher (part 9) to main basin by sliding it down over 2 pre-installed bolts(part 6).
7. Attach bottle opener (part7) to main basin using 2 each M6*16 screws tighten with the M6 Allen wrench.
8. Attach 2 each lid handles (part 1) to cooler lid (part 2) with 2 each M5*35 screws (part 3) tighten with a Philips screw driver.
9. Clean inside of cooler completely with soft dry towel. Place cooler lid (part 2) on top of main basin (part 8) your cooler is now ready for use.