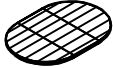












# ASSEMBLY INSTRUCTIONS

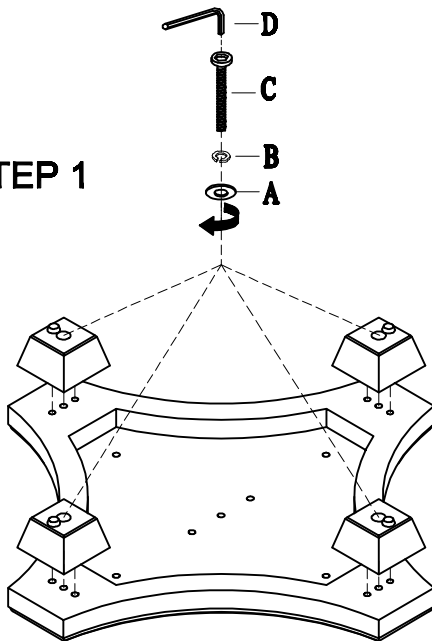
## ROUND TABLE

Thank you for purchasing this quality product. Be sure to check all packing material carefully for small parts, which may have come loose inside the carton during shipment. Identify and count all parts and compare with the **HARDWARE LIST** below.

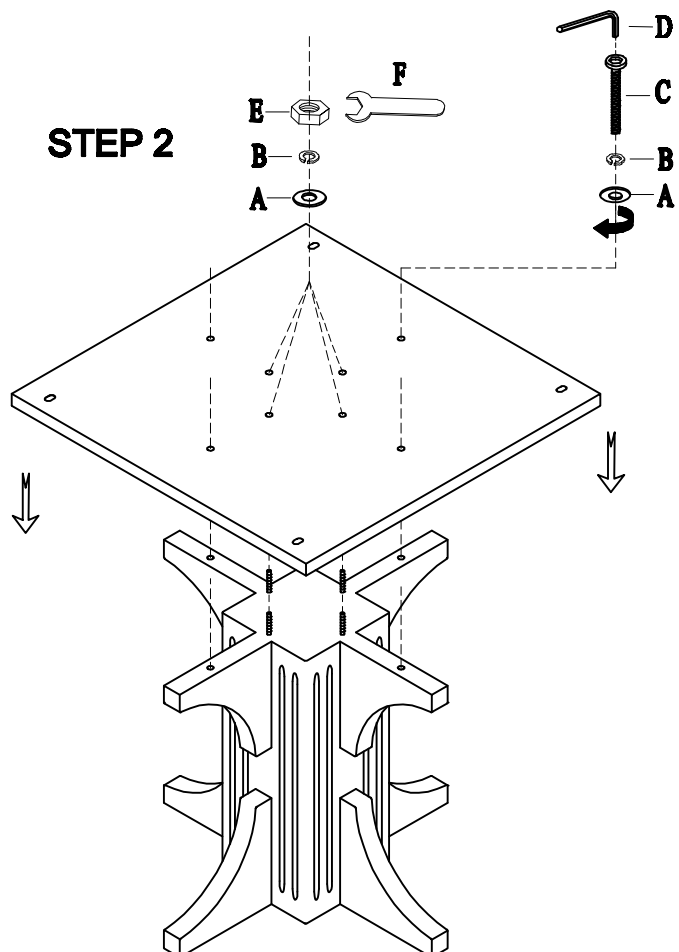
NO.	PARTS LIST		Q'TY
1		Top	1
2		Mending plate	1
3		Post	1
4		Bottom panel	1
5		Foot	4

NO.	HARDWARE LIST		Q'TY
A		Ø5/16"X19X2mm Flat washer	21
B		Ø5/16"X13X1mm Spring washer	21
C		Ø5/16"X45mm Bolt	17
D		4mm Allen wrench	1
E		Ø5/16"X10mm Hex Nut	4
F		13mm Allen Bolt	1

STEP 1



STEP 2



Do not fully tighten all screws and bolts until the entire item is completely assembled.