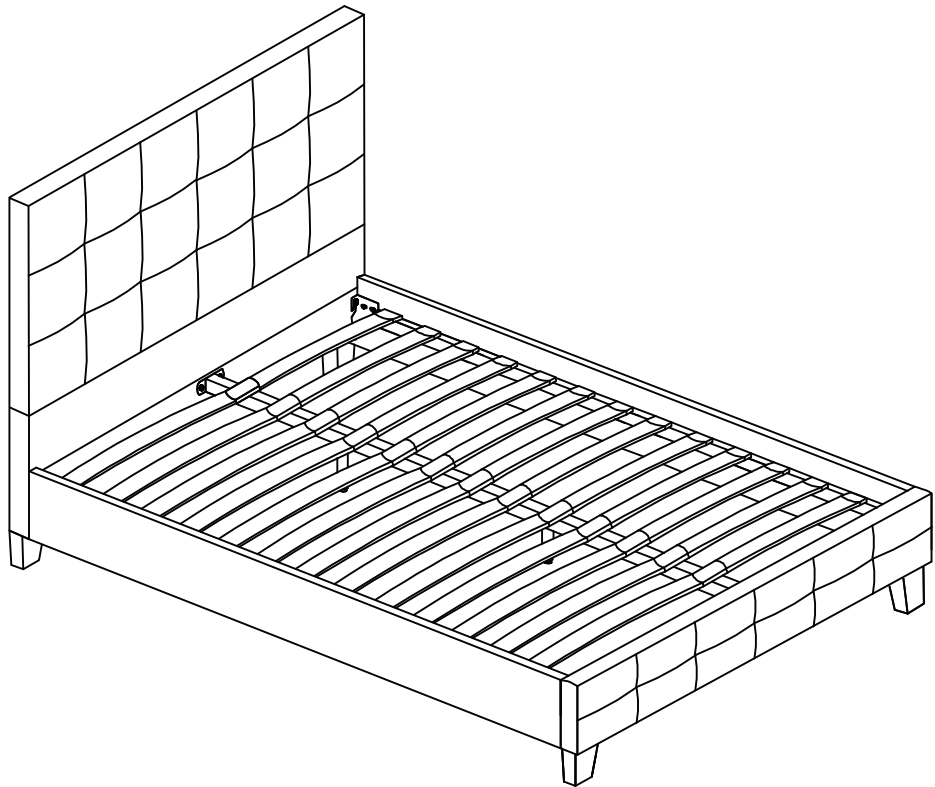


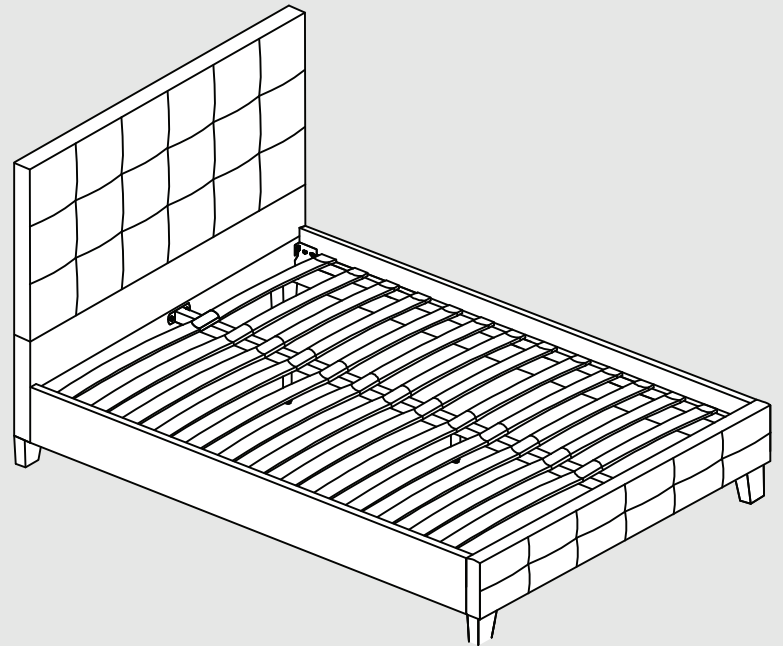
Model: _____

Lot No: _____

Date of Purchase: _____



BED

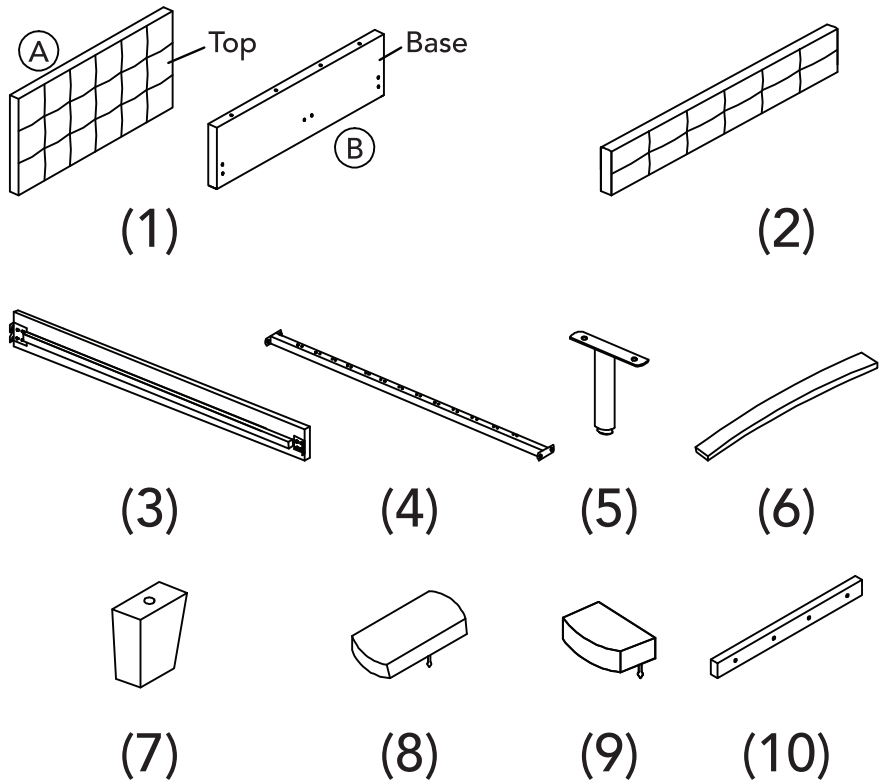


WARNING: This product may contain small components, please ensure they are kept away from small children.

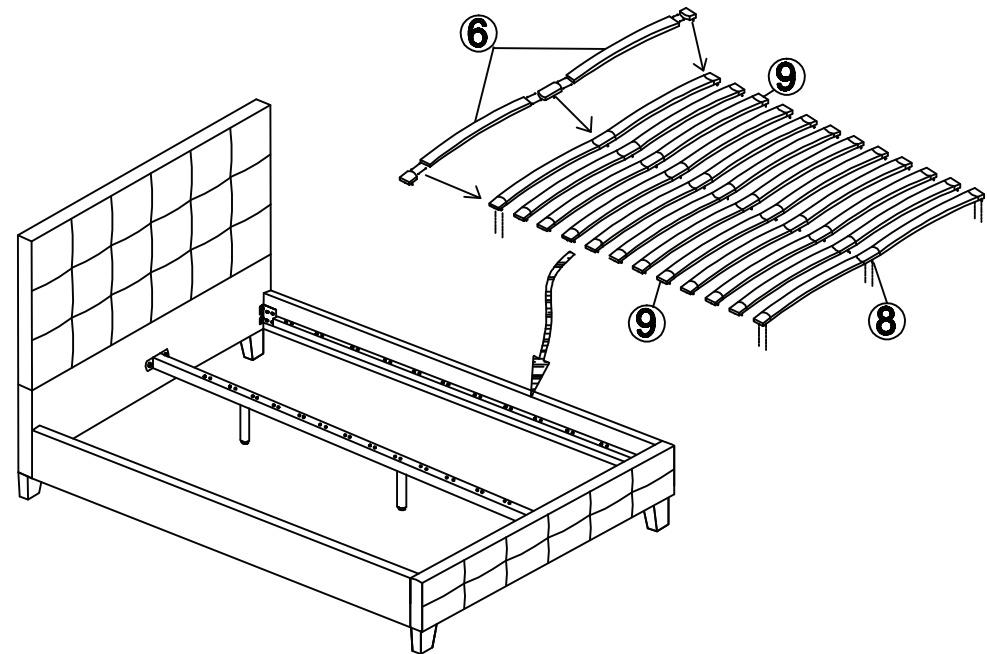
PARTS AND HARDWARE

Avoid using sharp objects such as a knife to cut open packing as you may accidentally damage the upholstery.

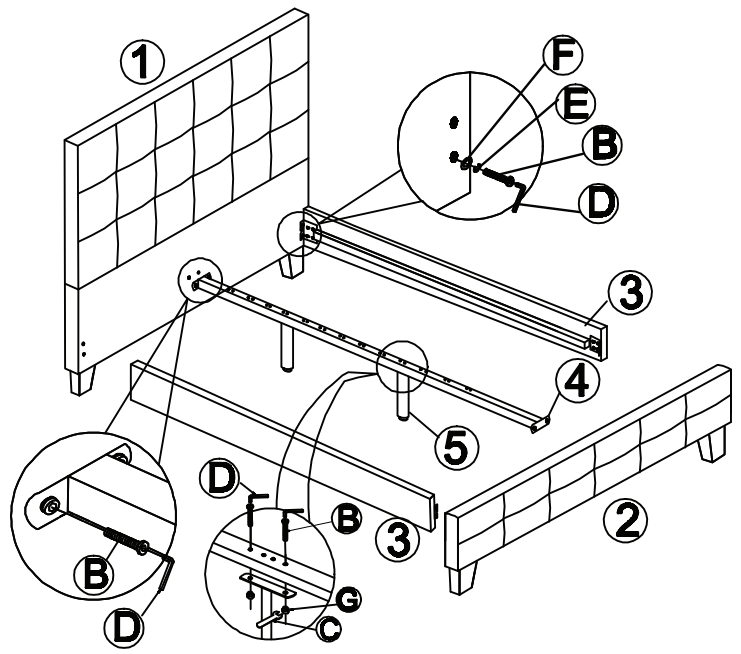
5





1	HEADBOARD	1 PC
2	FOOTBOARD	1 PC
3	SIDE RAIL	2 PCS
4	SUPPORT BAR	1 PCS
5	SUPPORT LEG	2 PCS
6	SLATS	26 PCS
7	LEGS	4 PCS
8	CENTER PLASTIC CONNECTOR	13 PCS
9	END CAP	26 PCS
10	CONNECTING WOOD	2 PCS



3



A  Ø5/16" X 2-1/2" BOLT 8 PCS

B  Ø5/16" X 1-3/8" BOLT 16 PCS


C  SPANNER 1 PC

D  ALLEN KEY 1 PC

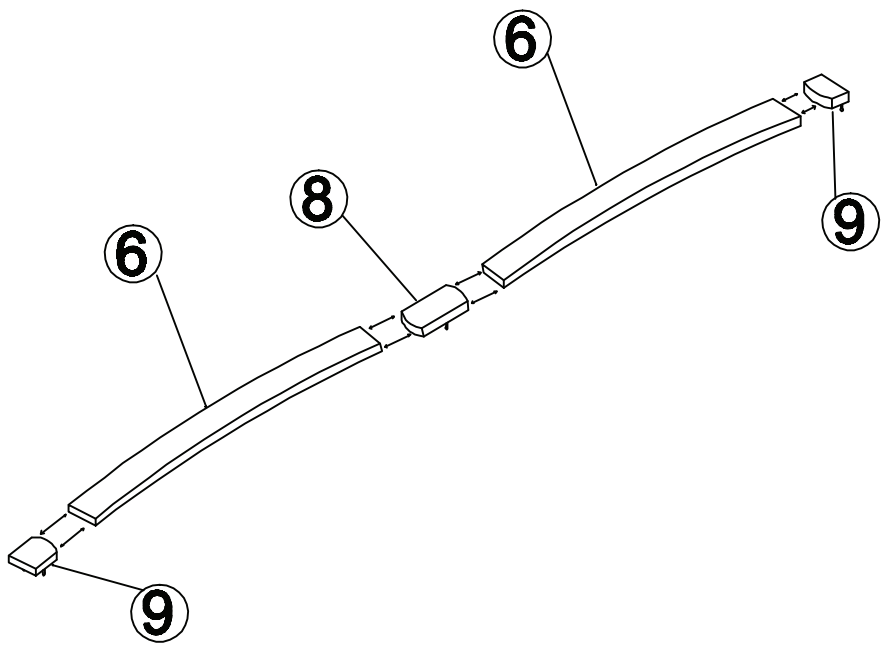
E  SPRING WASHER 24 PCS

F  FLAT WASHER 24 PCS

G  NUT 4 PCS

H  Ø5/16" X 2" BOLT 8 PCS

4



1

