

Linear LED Ceiling Light with Spotlight

Caution: Please turn off power before installation and read the manual carefully, we advise you contact professional electricians to install for safety purpose.

Product Features

Style: Farmhouse/Rustic/Modern

Material: Metal, Wood Veneer

Base Type: LED (Included); G10 (Excluded)

Voltage: 120V

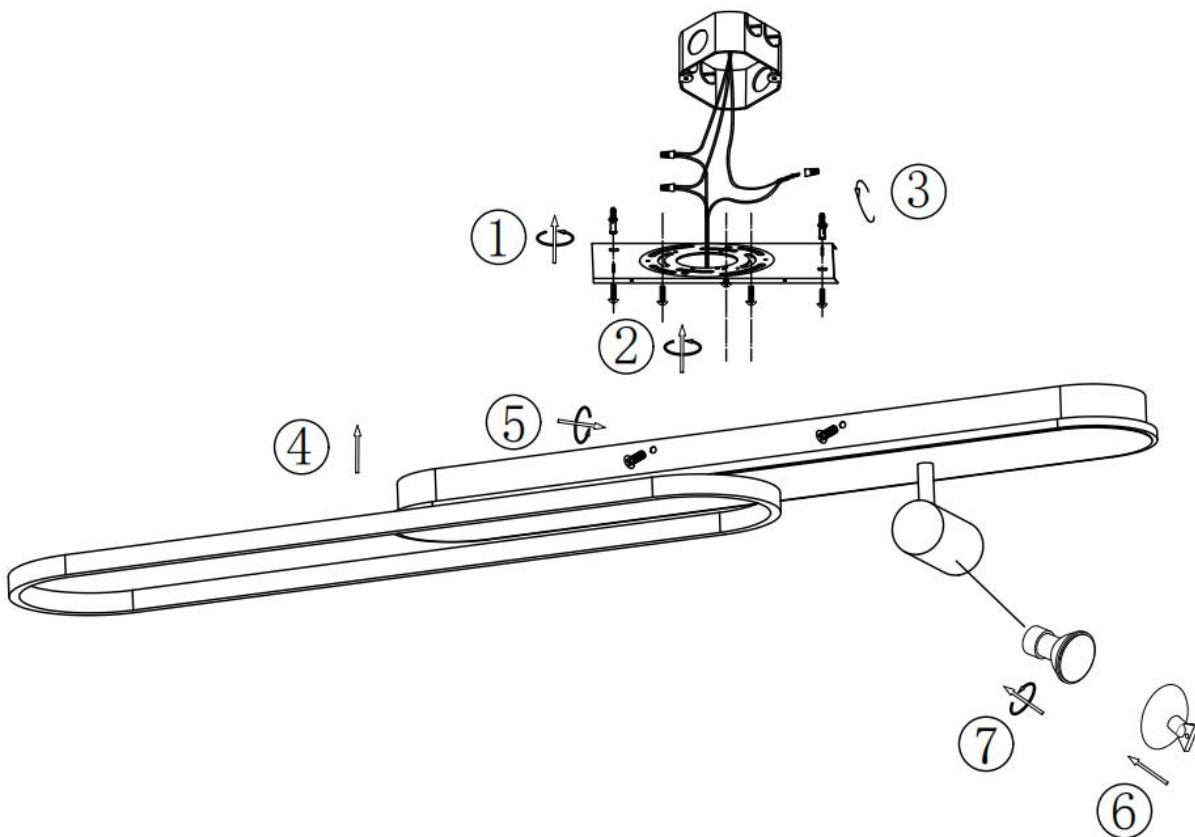
Wattage: LED - 28W; G10 - 10W

Package includes

1 x Ceiling Light

1 x Accessory Pack

1 x User's Manual



Installation Instructions

1. Mark and drill the appropriate holes in the wall or ceiling, ensuring they align with the reinforcement plate. Insert the wall anchors securely into the drilled holes.
2. Attach the mounting plate to the ceiling using the provided screws and ensure it is firmly fixed.
3. Connect the fixture's live, neutral, and ground wires to the corresponding wires in the junction box. Ensure correct polarity and secure all connections properly.
4. Carefully lift the light fixture and align it with the mounting plate holes.
5. Secure the fixture to the mounting plate using screws.
6. Use a suction cup to safely hold the GU10 bulb (not included).
7. Install the GU10 bulb into the socket, then adjust the lamp head to the desired a

Note: Please use this product accordingly to its intended purpose, do not retrofit or remodeling the product. The warranty does not cover if the failure is caused by the third party product, or natural disasters.