

Preferred Bath Accessories Inc.  
1031 E Mountain St. Kernersville, NC 27284  
PH: 888-315-8816 FAX: 866-496-8122  
www.preferredbathinc.com

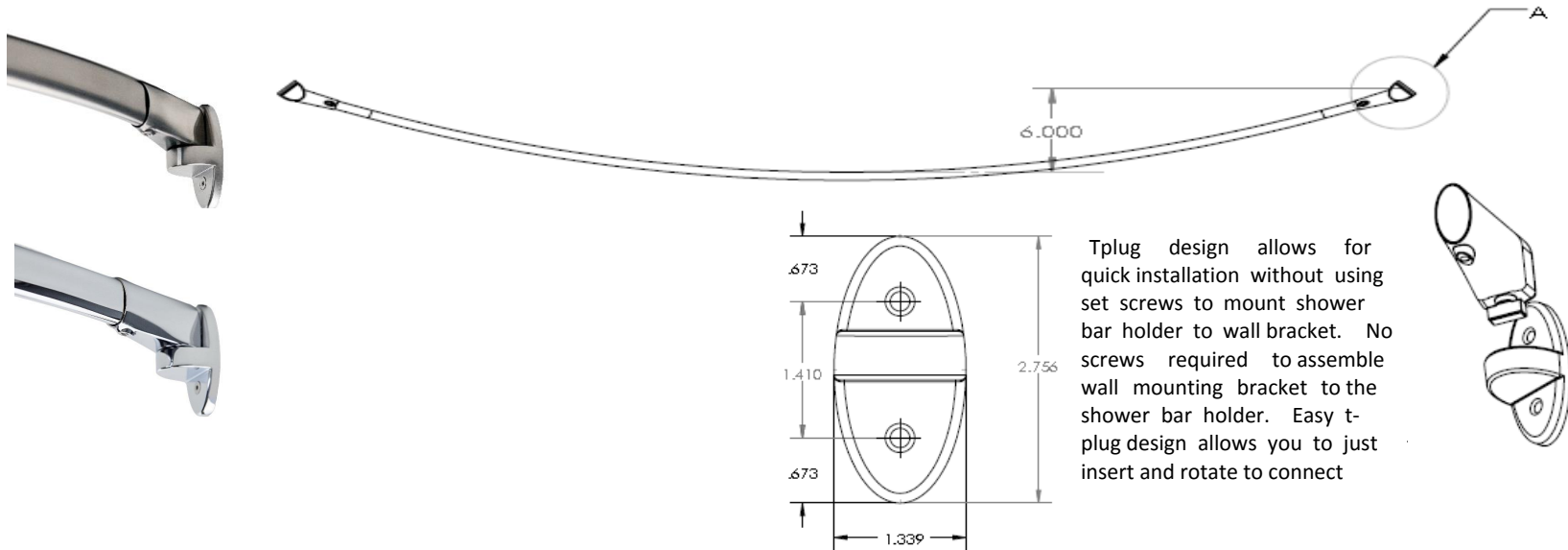


## 113-5xx Stainless Steel Oval Curved Shower Rod

Fits 60" shower enclosure (may be cut down to fit opening)

Available Finishes: Polished Chrome and Brushed Nickel

### TECHNICAL DATA



Tplug design allows for quick installation without using set screws to mount shower bar holder to wall bracket. No screws required to assemble wall mounting bracket to the shower bar holder. Easy t-plug design allows you to just insert and rotate to connect

Installation: Step 1 - Attach each wall bracket to the wall using stainless steel wood screws. (use wall anchors if needed) Step 2 - Insert shower rod holders into the wall brackets and rotate to connect the t-plug to wall bracket, then adjust and insert shower bar into the shower rod holders. Step 3 - Tighten headless set screws

Wood blocking is preferred

#### Materials:

- 1 - Shower Rod – Stainless Steel
- 2 - Wall Brackets – Zinc Die-cast
- 2 - Shower Rod Holders – Zinc Die-cast
- 2 - Set Screws
- 4 - Stainless Steel Mounting Screws
- 4 - Wall Anchors

#### Limited Warranty

Preferred Bath Accessories Inc. warrants to the purchaser that the product will be free from defects in material and workmanship. If the product does not comply with this warranty, Preferred Bath Accessories Inc. will repair or replace the product or, at Preferred Bath Accessories Inc.'s option, refund the purchase price. The limited warranty period is for the lifetime of the product. Limitations on the Warranty: The warranty does not cover, normal wear and tear, product abuse, neglect, improper installation or maintenance. Purchaser Requirements: If this product does not meet Preferred Bath Accessories Inc.'s warranty, return the product (postage prepaid) to the place of purchase with proof of purchase and a written claim briefly describing the defect. You may be required to provide other information or evidence of the defect.