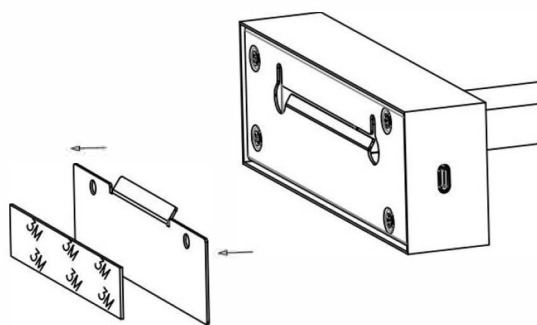


# Battery Powered Picture Light

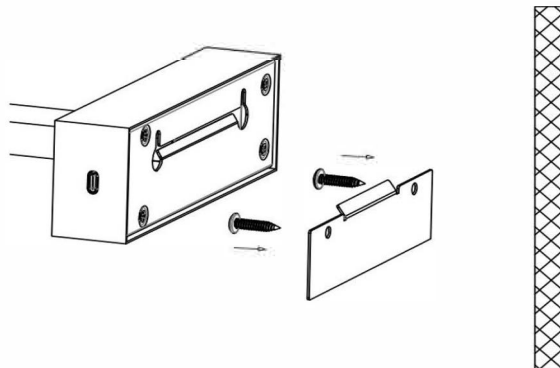
## NOTE:

- It's recommended to use the 5V/2A charger to avoid long charging time.
- Please check if the red indicator light is on when charging.
- Read instructions carefully before you start assembly
- Prepare everything in a clear area • Package list: Picture Light\*1, Mounting Bracket\*1, Screw Kit\*1, Type-C USB Cable\*1, 3M Tape\*1, Remote\*1
- Keep this installation sheet for future reference

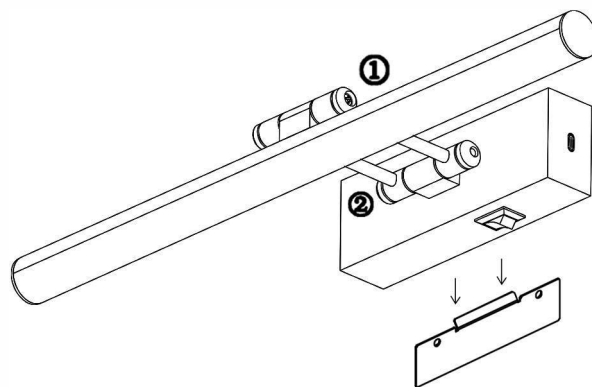
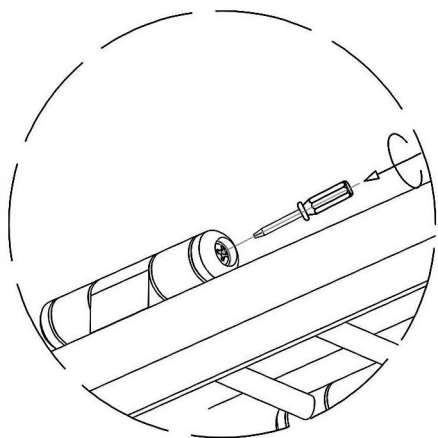
1. Remove fixture from its original package.
2. Please check whether the product can work normally with the remote before you start assembly.
3. Secure the mounting bracket with the screws (or the 3M Tape) provided in the package.
4. Fix the light on the bracket.
5. Please charge the picture light with a 5V charger for 4 hours before use.



Or installation with 3M sticking



Installation with screws mounting



**ATTENTION :** During the transportation, the screws at the connection ① and the universal head ② may be a little loosened, you can use household screwdriver and tighten the screws to retain its position, according to your needs.