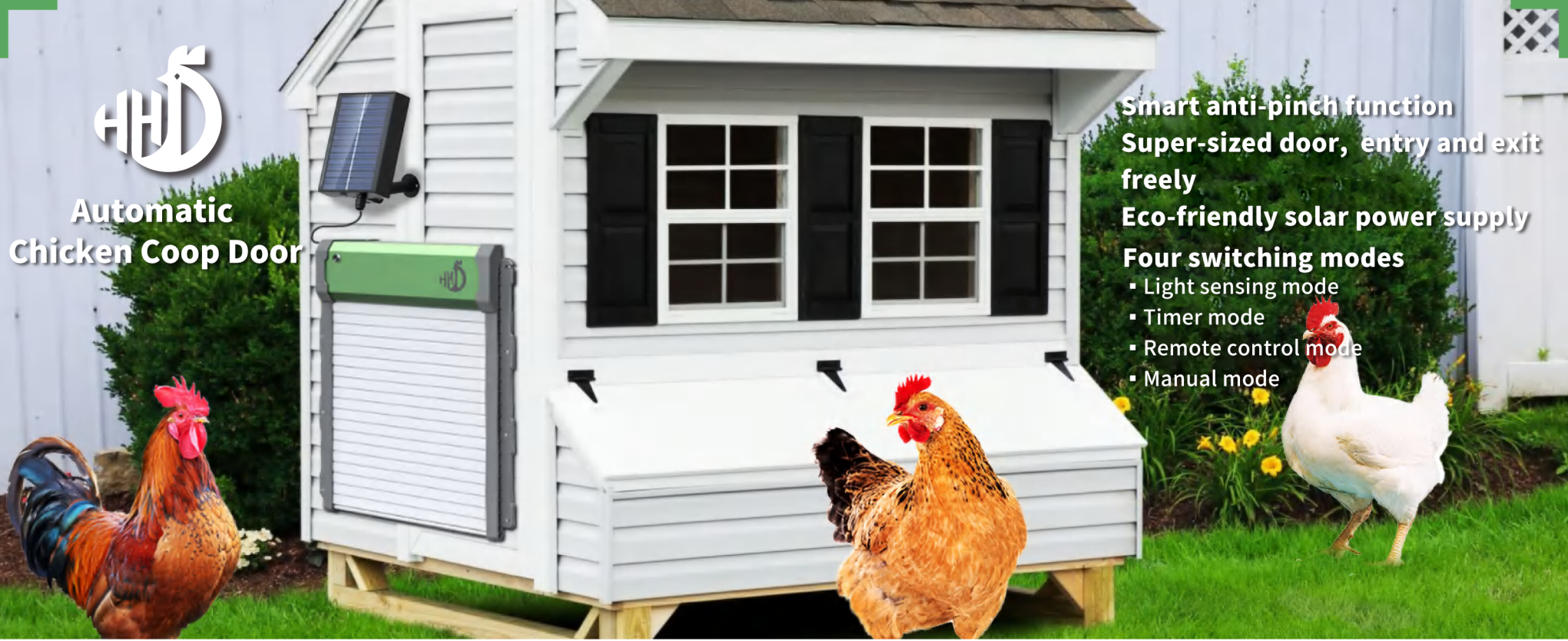




Automatic Chicken Coop Door

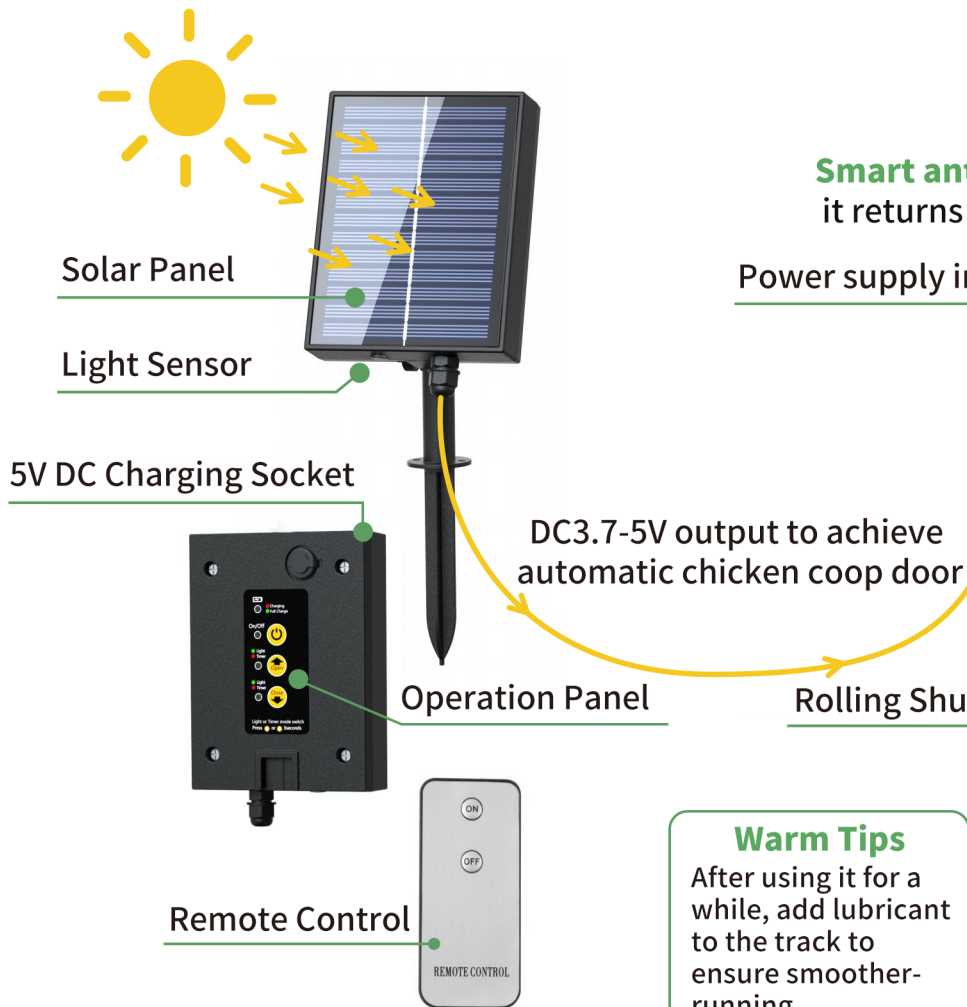
- Smart anti-pinch function
- Super-sized door, entry and exit freely
- Eco-friendly solar power supply
- Four switching modes
 - Light sensing mode
 - Timer mode
 - Remote control mode
 - Manual mode



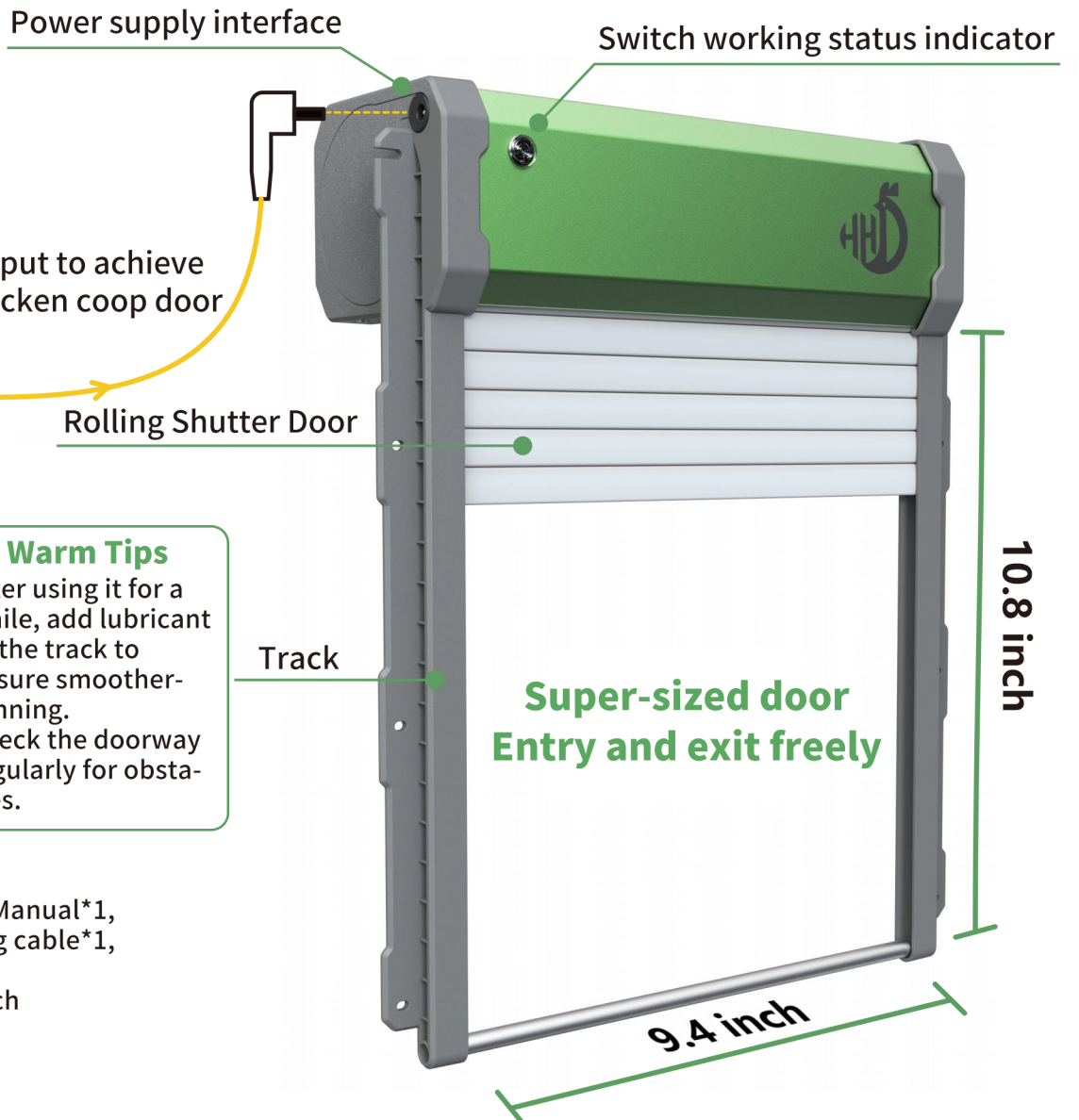
Thank you for purchasing our products! In order to get a better use experience, please read all directions before using the products and retains this guide for reference. We are adhering to the concept of customer first, always provide customers with satisfactory service.

Eco-friendly solar power supply

Waterproof rating:IP67
Solar charging power:5V 280mA
Battery capacity:3.7V 2000mA



Smart anti-pinch function: When the door closes against an obstacle, it returns and closes again after 3 seconds.



Warm Tips
After using it for a while, add lubricant to the track to ensure smoother-running. Check the doorway regularly for obstacles.

Product Information

Package includes: Automatic chicken coop door*1, Manual*1, Solar power supply*1, Remote control*1, USB charging cable*1, Screws*10
Size of chicken coop door: 14.6 inch*11.8 inch*4.0 inch
Material: Aluminum alloy + Ultra-tough plastics

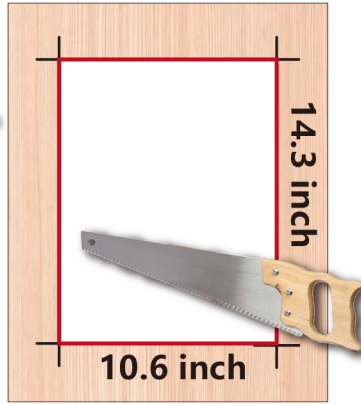
Installation Tutorial



1. Prepare the installation material.



2. Choose a flat surface. Use manual dimensions as slotting standard, and use the 4 corners of the manual to locate the installation position.



3. Cut the corresponding shape with the tool.



4. Fix the coop door with screws. If the coop planks are uneven or warped, adjust the tightness of the screws appropriately to ensure that the machine is level.



5. Install solar power supply, which can be installed on the coop or plugged into the ground.

Switching Modes

1. Manual mode Press the button of the solar power supply to open/close the rolling shutter door

LED 1- Charging indicator

Red indicator always lighting when charging and turns green when full

LED 2-Power on/off indicator

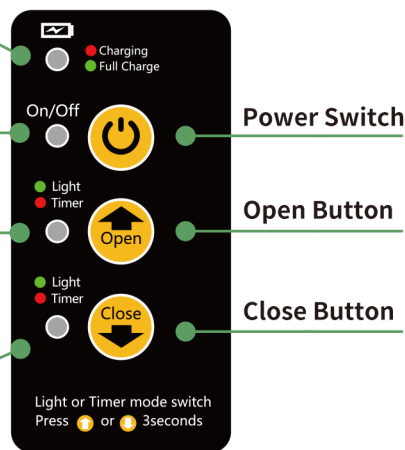
Green indicator always lighting after power on

LED 3-Opening mode indicator

Green indicator flashing means in Light-sensing mode
Red indicator flashing means in Timer mode

LED 4 - Closing mode indicator

Green indicator flashing means in Light-sensing mode
Red indicator flashing means in Timer mode



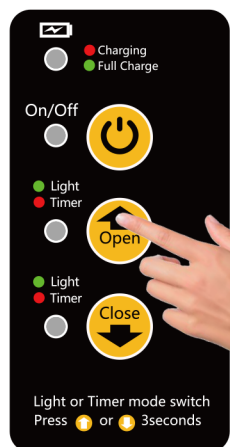
2. Remote control mode Long-range control (around distance 30-40 meters)

Press **ON** to open the chicken coop door
Press **OFF** to close the chicken coop door



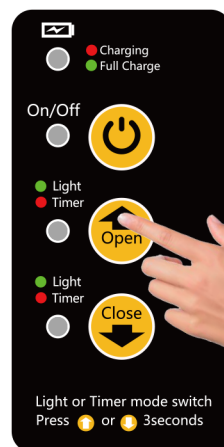
3. Light sensing mode Default setting is light-sensing mode.

Open and close the door according to the sunrise and sunset



Open door in Light-sensing mode: Press and hold **Open** for 3 seconds until the LED blinks green color. The door opens automatically at sunrise every day.

Close door in light-sensitive mode: Press and hold **Close** for 3 seconds until the LED blinks green color. The door closes automatically at sunset every day.



4. Timing mode Users can set the automatic opening and closing time independently as required.

Open door in Timer mode: Press and hold **Open** for 3 seconds until the LED flashes red to activate the timer mode. The door will open automatically at this time every day.

For example: If you want to open the door at 6:00 a.m. every day. Please press and hold the OPEN button for 3 seconds at 6:00 a.m., then the OPEN light will flash red which means the machine enters the timer mode. Now, the door will be opened automatically at 6:00 am every day.

Close door in Timer mode: Press and hold **Close** for 3 seconds until the LED flashes red to activate the timer mode. The door will close automatically at this time every day.

For example: If you want to close the door at 7:00 p.m. every day. Please press and hold the CLOSE button for 3 seconds at 7:00 P.m., then the CLOSE light will flash red which means the machine enters the timer mode. Now, the door will be closed automatically at 7:00 pm every night.

Common Questions & Notes

1. The door does not work after installation

Please check if the solar power supply and chicken coop door are connected; Maybe the solar power supply is out of power, you can use the USB charging cable in the package to charge the power supply manually, the charging indicator shows green when it full.

2. Failed to open/close the door

Please check whether the rolling shutter door is stuck or blocked by obstacles. If it gets stuck, apply lubricant to both sides.

3. Automatic opening door at night

If the coop door opens in light-sensitive mode, please make sure that the solar power supply is installed in a place where the environment is darker at night.

4. The door does not open automatically in the daytime

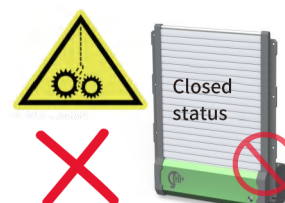
Please check whether the light sensor of the solar power supply is blocked by other objects or not

5. Timer mode does not work

Please follow the instructions and make sure the settings are correct.



Prevents failed opening or closing the door due to deformation



Easy to damage the motor if inverted the door in closed status

