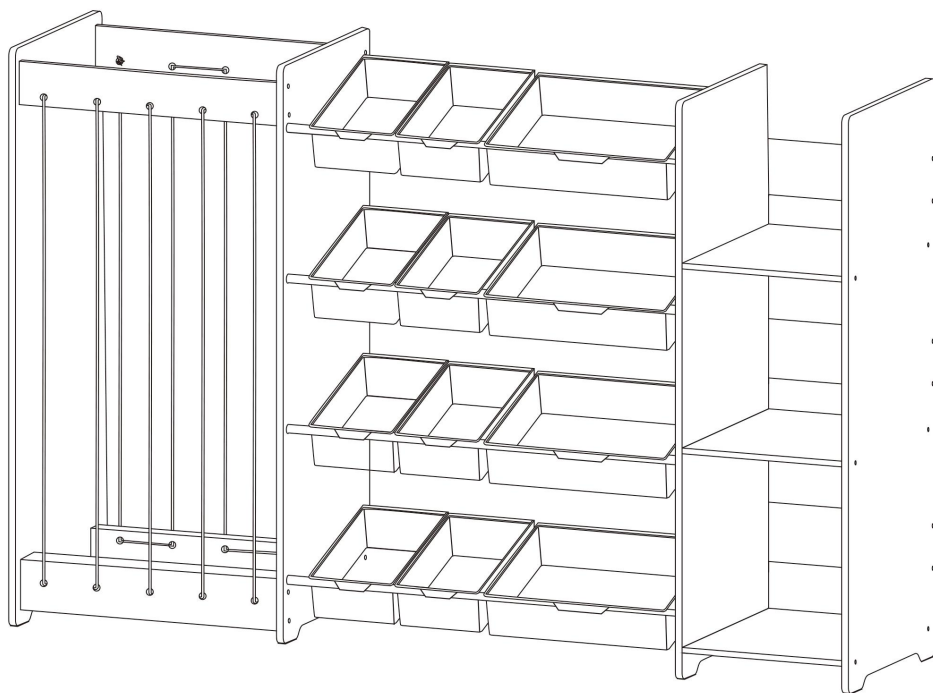


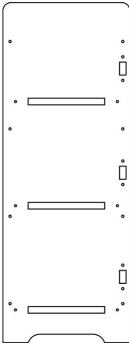
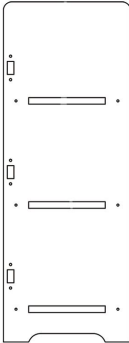
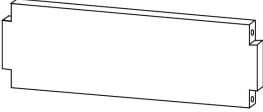

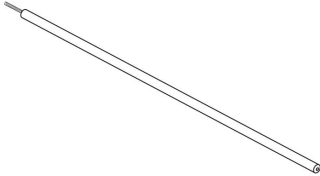
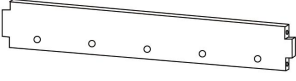
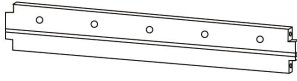

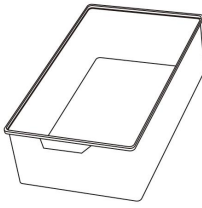
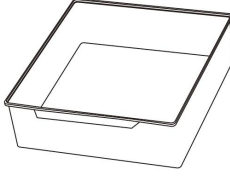


3-IN-1 WOODEN TOY STORAGE ORGANIZER



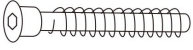
Installation Manual

PANEL LIST

A  1PC	B  1PC	C  1PC
D  1PC	E  3PC	F  3PC
G  8PC	H  2PC	I  2PC
J  1PC	K  8PC	L  4PC

PANEL LIST

M



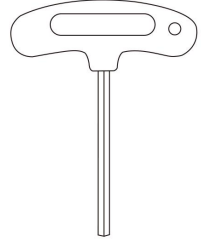
48PC

N



2PC

O



1PC

P



8PC

NOTICE

Dear Customer,

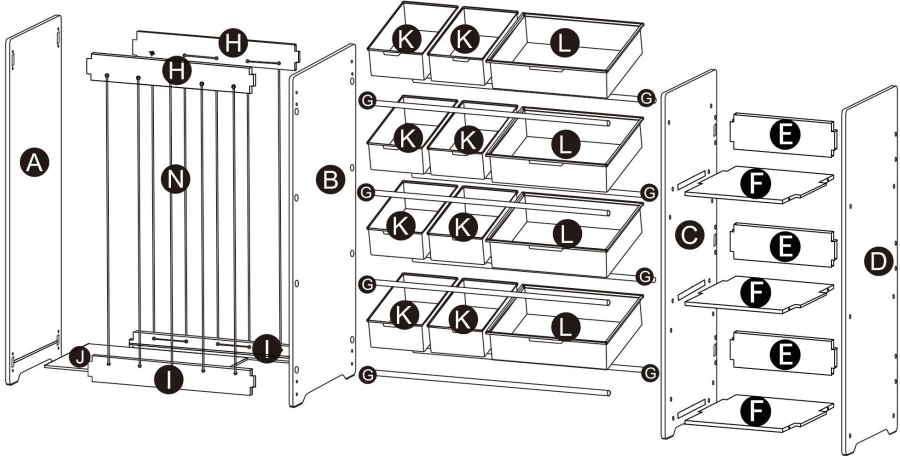
All of our products have got strict quality inspection, but we can't guarantee that each set got no issues, when you get troubles with installation or found any product issues, such as paint lossing, lack of accessories, assembly failure or broken accessories, etc, we hope that you can contact our mailbox: xingtuojinchukou@126.com before you give feedback or review, we will solve your problems until you are satisfied, thank you!

EXPERLAM



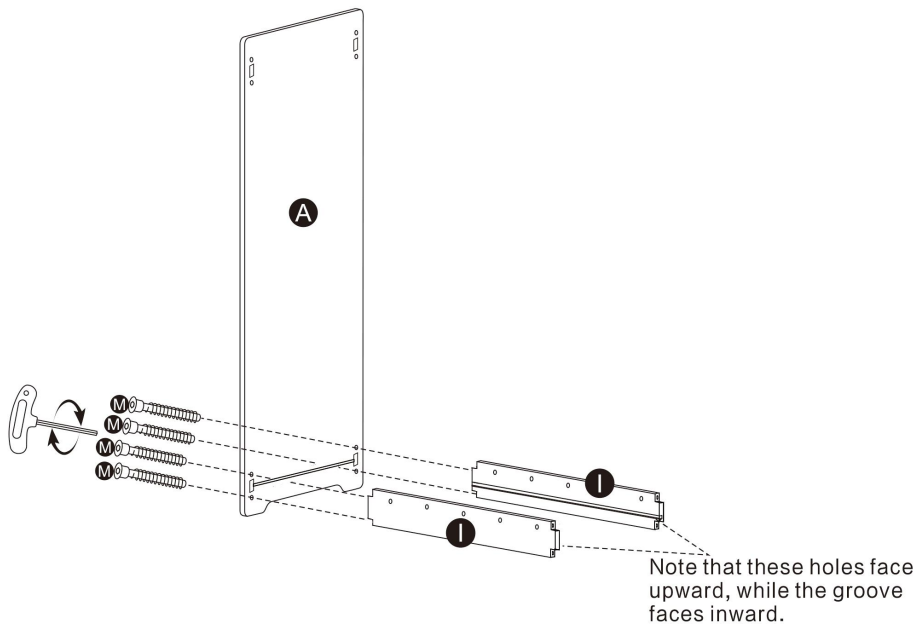
Please check the videos on our YOUTUBE channel.

EXPLOSION DIAGRAM OF WOODEN BOOKSHELF



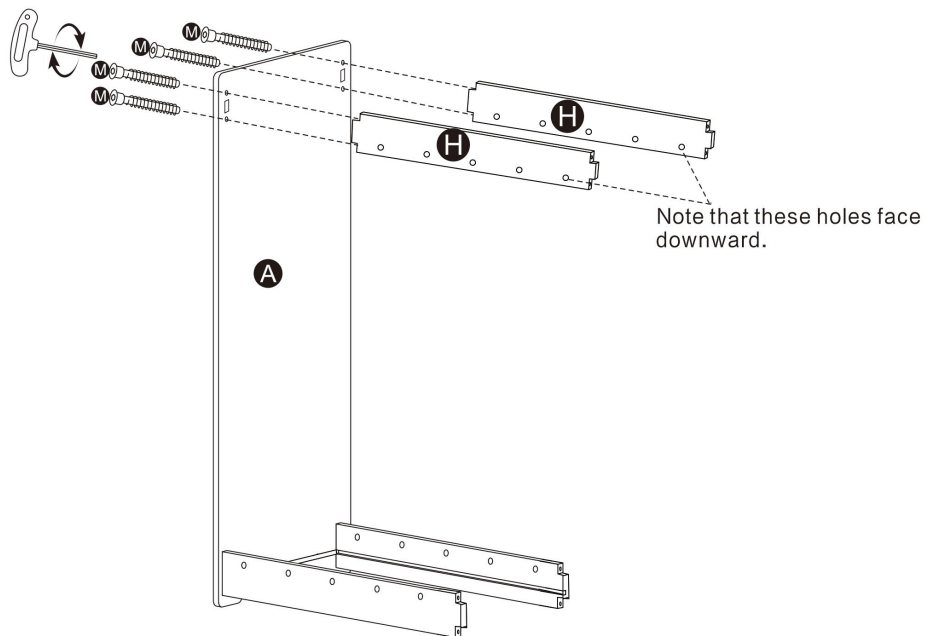
01

M*4 

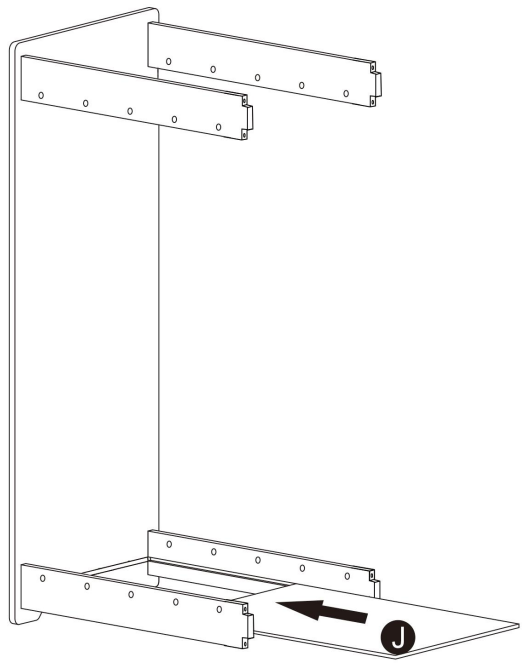


02


M*4 

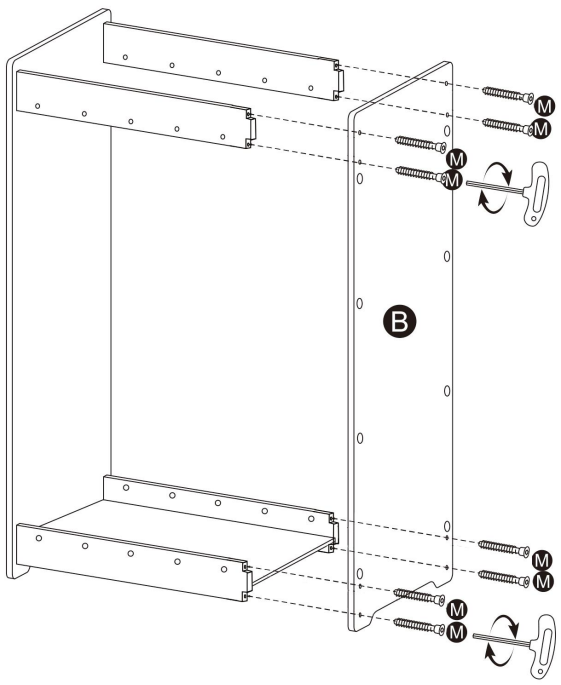


03

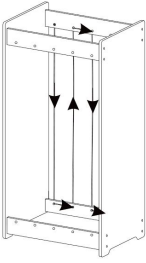


04

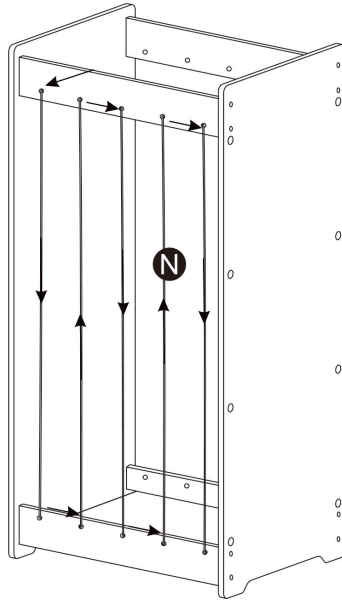
M*8 



05

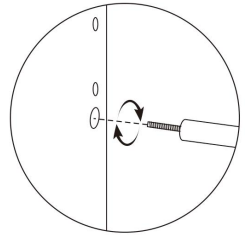
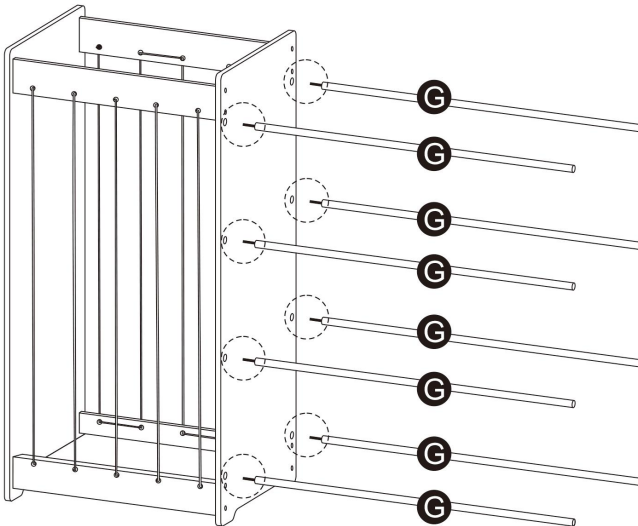


Flip the perspective on the other side.



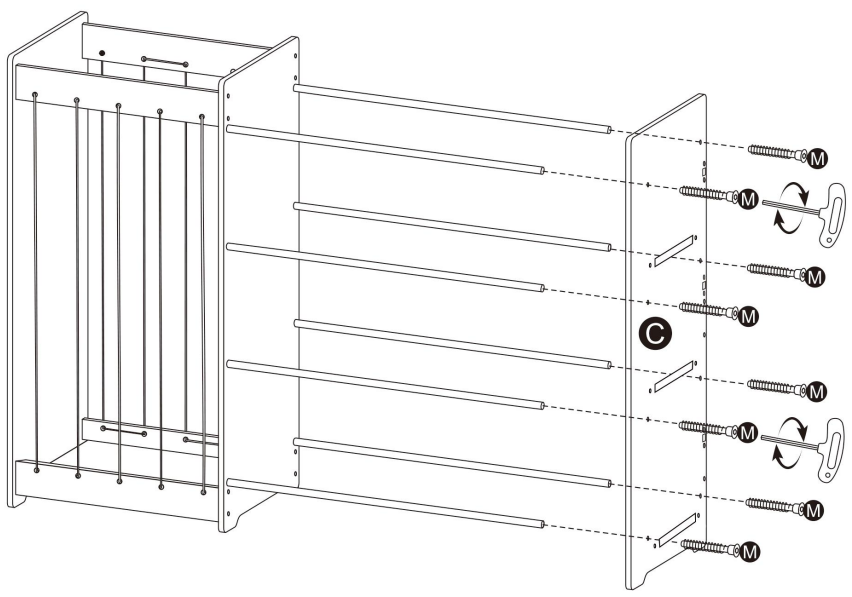
The installation process for the other elastic rope is the same as described above.

06



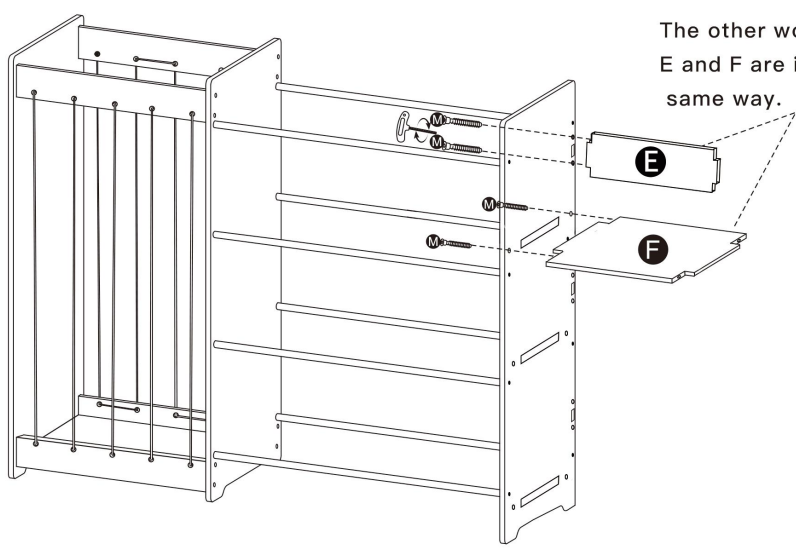
07

M*8 



08

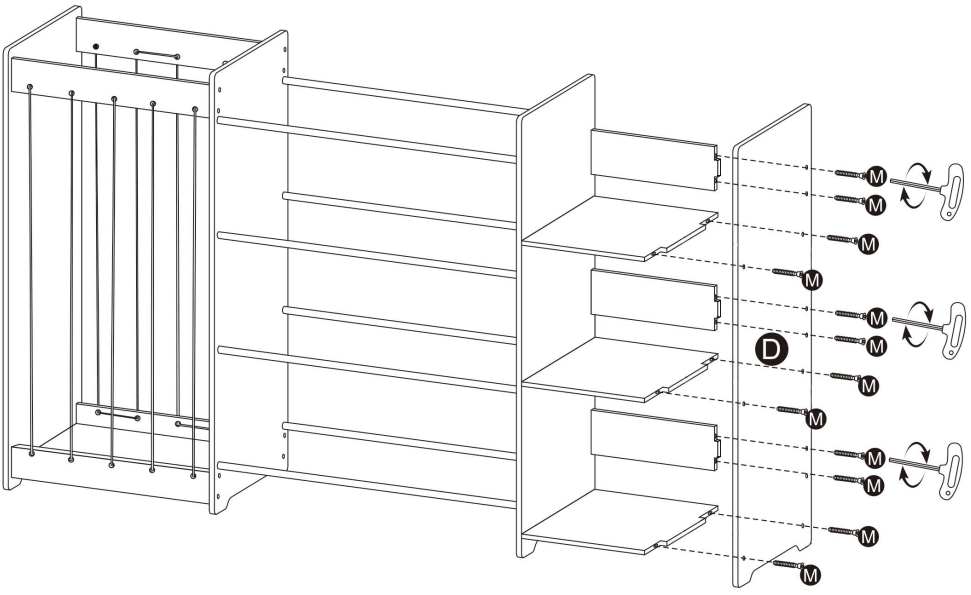
M*12 



The other wooden boards
E and F are installed in the
same way.

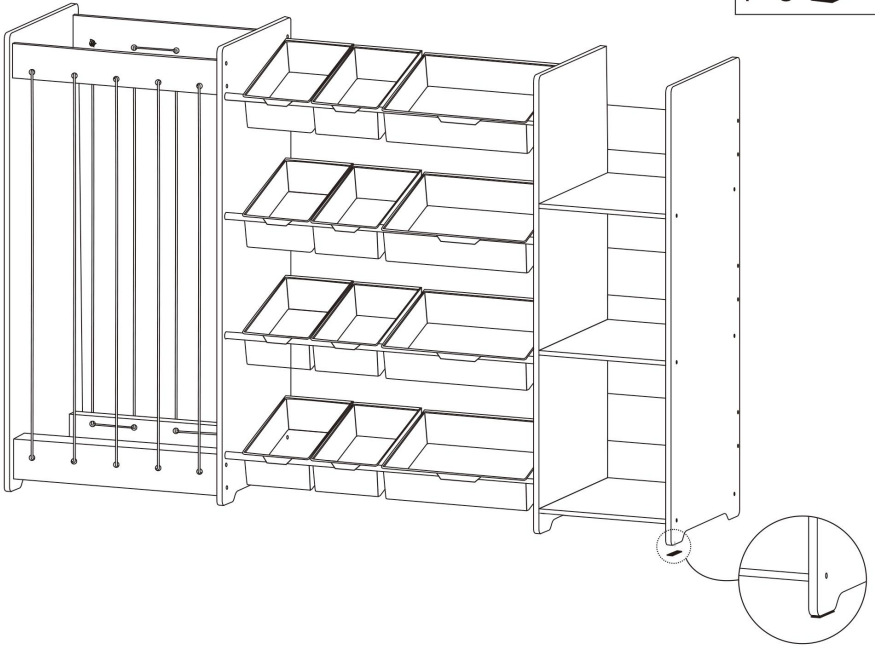
09

M*12 

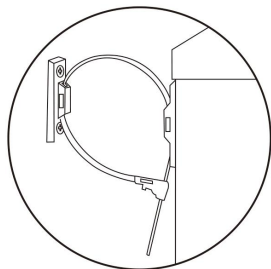


10

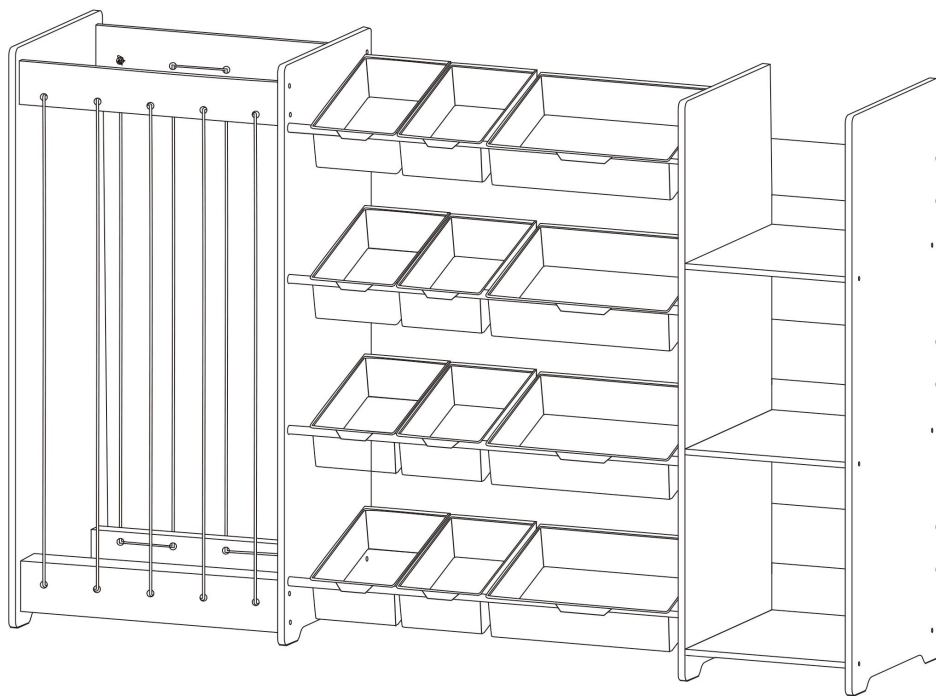
P*8 



Attach the corresponding EVA padding to each corner.



Install anti-tip ties on the wall and on the product.



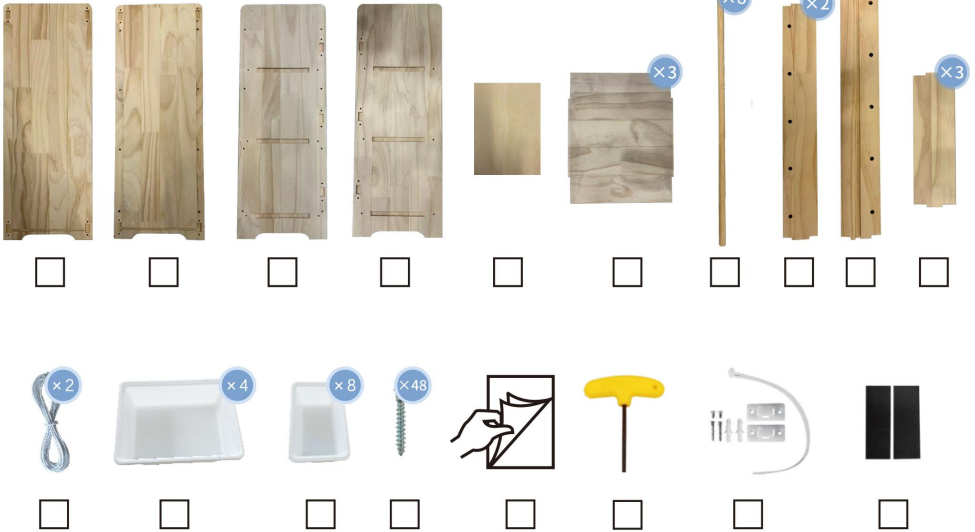
Completed.

· Product Quality Checklist ·

PRODUCT PICTURE



PARTS LIST



INSPECTION REQUIREMENTS

- 1.All product accessories are fully included, especially the screw package and metal parts.
产品配件配备齐全，尤其是配备的的螺丝包和金属零件。
- 2.Parts are free of defects, wooden boards must not be broken, warped, or have scratches.
零件无瑕疵，木板没有断裂弯曲和划痕。
- 3.All hole positions are complete, and identical parts must have aligned holes.
零件孔位齐全、相同零件孔位对齐。
- 4.Product surfaces must be free of wood shavings and smoothly sanded.
产品表面没有木屑，打磨光滑。
- 5.Products must remain clean, tidy, and free of stains or contaminants.
产品保持干净整洁，无污渍

QUALITY INSPECTOR: