



WPG200

Panini Compresso Slimline Panini Grill



Panini Compresso Slimline Panini Grill



MAIN FEATURES

- Ribbed cast-iron plates
- 7¾" x 14½" cooking surface – Slim design to fit in tight spaces
- Brushed stainless steel body construction and removable drip tray
- Hinged, auto-balancing top plate
- Adjustable thermostat to 570° F
- Heat-resistant handles
- Heavy-duty grill brush included
- 120V, 1800W
- Limited One Year Warranty

ELECTRICAL

Voltage: 120

Frequency: 60Hz

Watts: 1800W

Amps: 15

Plug Type: NEMA 5-15P 

Cord Length: 3 feet



SALES FEATURES

This space-saving panini grill features a slim design that takes up less room on countertops while cooking delicious sandwiches, burgers, chicken, vegetables, and more. A variable temperature dial and ribbed cast-iron plates with an auto-balancing top plate ensure foods are cooked to perfection. A great fit for tight spots, this innovative kitchen essential is easy to operate and maintain, with heat-resistant handles and removable drip tray. Brushed stainless steel body wipes clean in seconds.



@waringcommercial

©2019 Waring Commercial
314 Ella T. Grasso Avenue, Torrington, CT 06790
Tel. 800-492-7464 • Fax 860-496-9008

waringcommercialproducts.com

WPG200



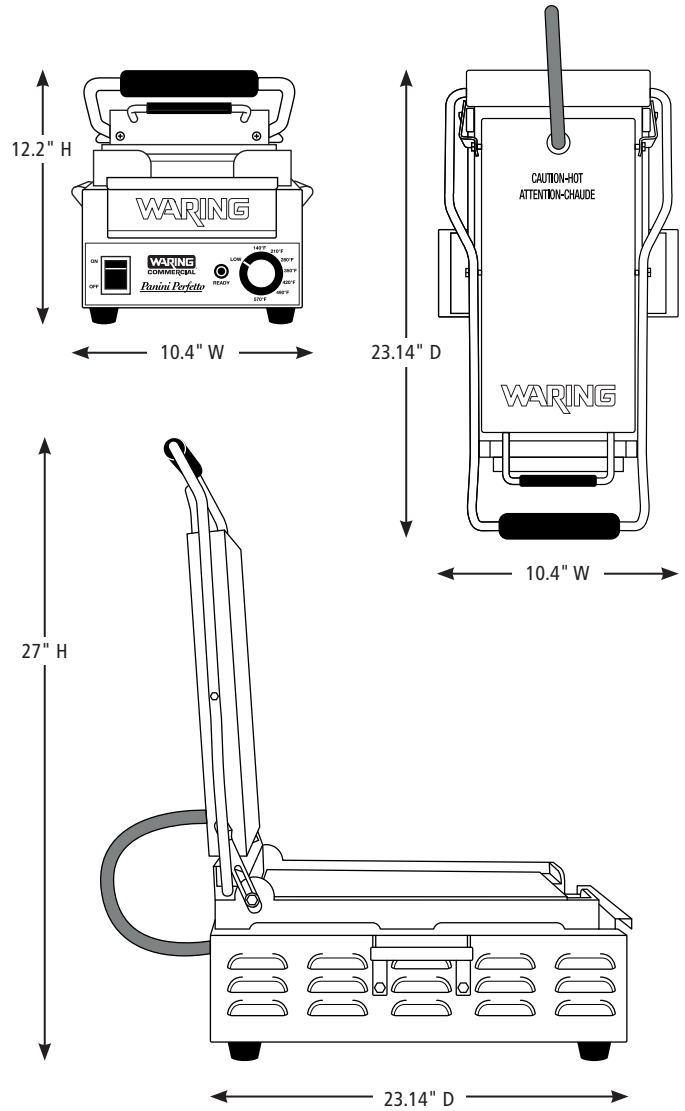
Panini Compresso Slimline Panini Grill WPG200

PARTS & ACCESSORIES



CAC105 Cleaning Brush

DIMENSIONS



Out of Box Weight: 50.04 lb.

ORDERING INFORMATION	#STD. PKG.	GIFTBOX WEIGHT	CUBIC FEET	BOX DIMENSIONS D X W X H	UPC	CASE PKG.	MC WEIGHT	MC DIMENSIONS D X W X H	MBC
WPG200 – Panini Compresso Slimline Panini Grill	1	53	1.69	26.3" x 14.3" x 14.1"	040072087967	1	56	28.3" x 16.3" x 16"	10040072087964



@waringcommercial

©2019 Waring Commercial
314 Ella T. Grasso Avenue, Torrington, CT 06790
Tel. 800-492-7464 • Fax 860-496-9008

waringcommercialproducts.com

19WC062862 / REV 08/19