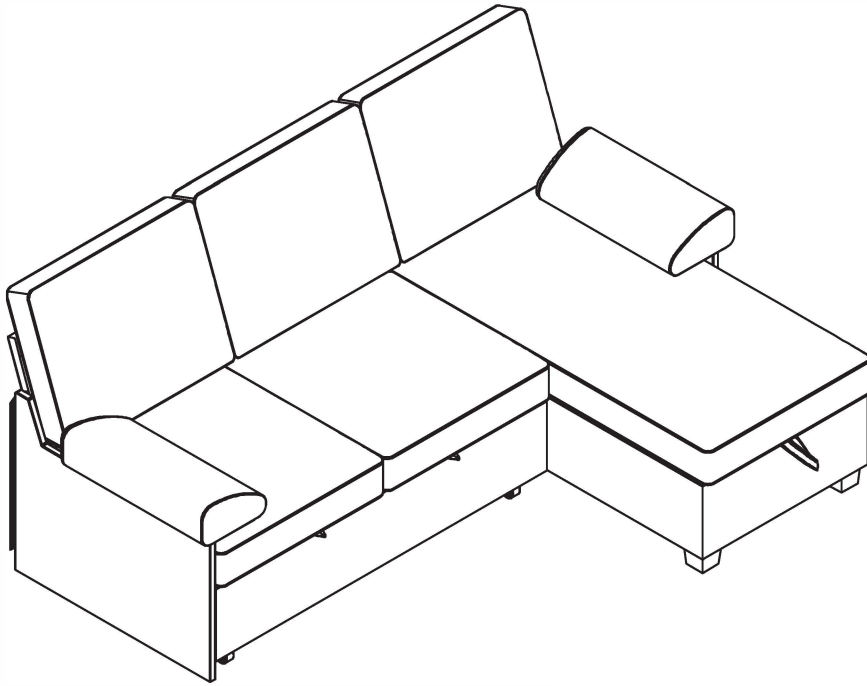
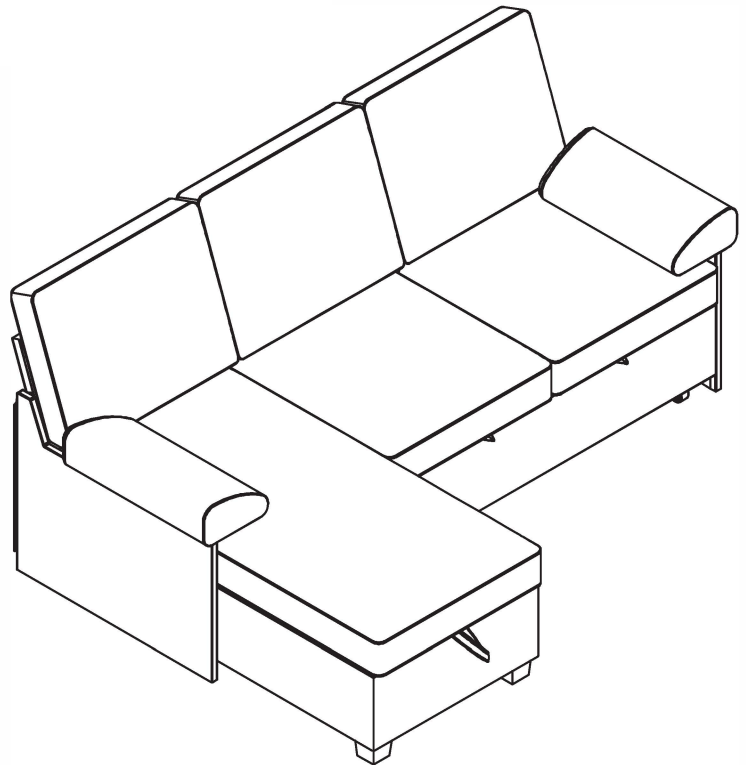


# ASSEMBLY INSTRUCTIONS



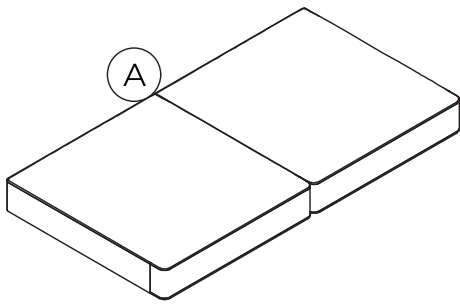
Option 1



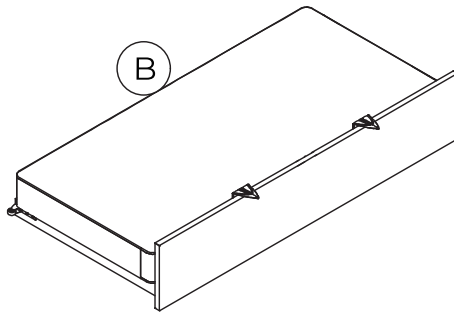
Option 2

## Sofa & Couch

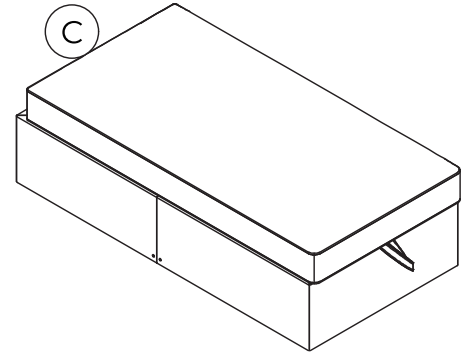
# PARTS LIST



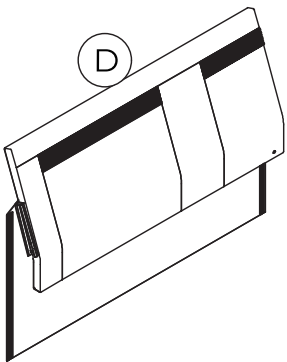
Double Seat  
1 PC



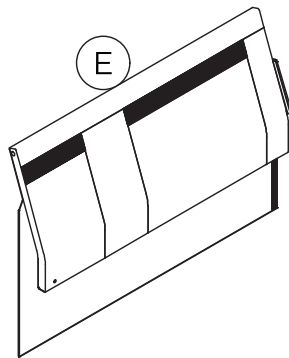
Pullout Seat  
1 PC



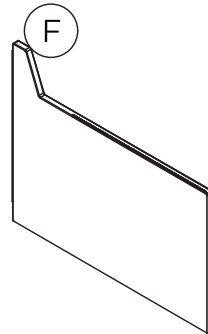
Chaise  
1 PC



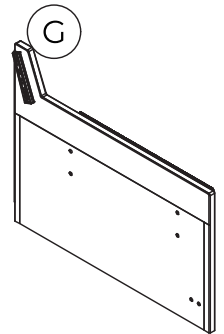
Left Back Frame  
1 PC



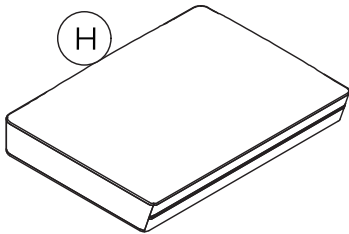
Right Back Frame  
1 PC



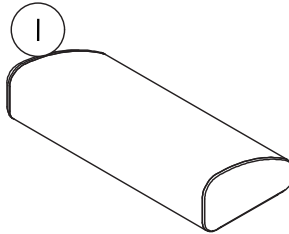
Left Armrest  
1 PC



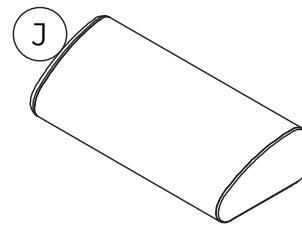
Right Armrest  
1 PC



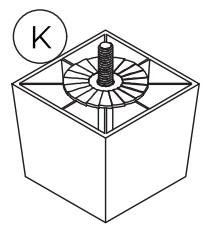
Back Cushions  
3 PCS



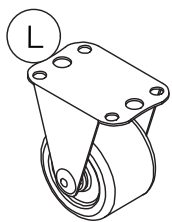
Arm's Pillow  
1 PC



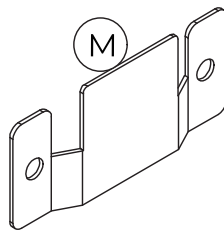
Arm's Pillow  
1 PC



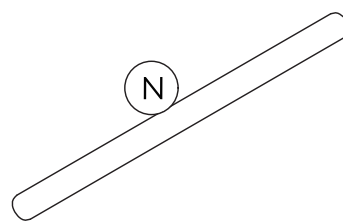
Legs  
4 PCS



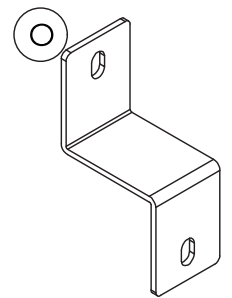
Pulley Legs  
4 PCS



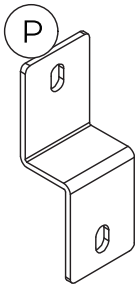
Brackets  
2 PCS



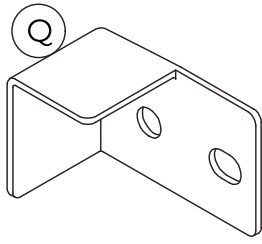
Connector  
1 PC



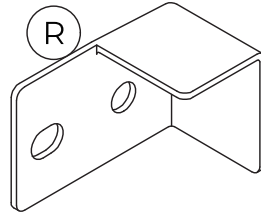
Connectors  
2 PCS



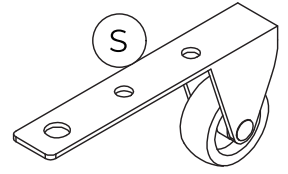
Connectors  
4 PCS



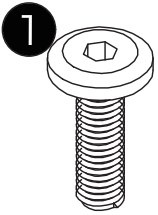
Left Bracket  
1 PC



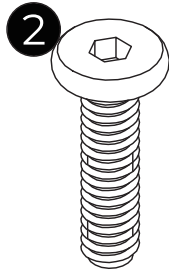
Right Bracket  
1 PC



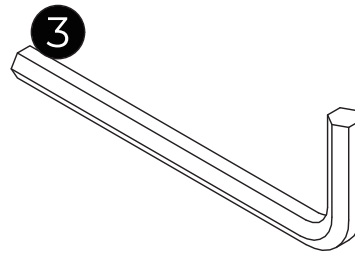
Brackets  
2 PCS



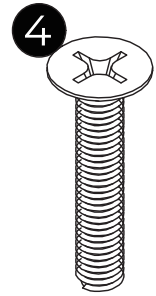
1/4" x 20mm Bolts  
X 24



5/16" x 23mm Bolts  
X 4



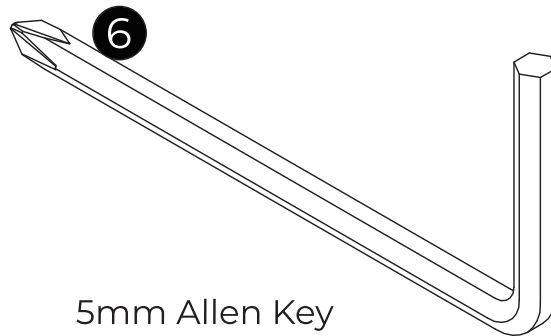
4mm Allen Key  
X 1



1/4" x 30mm Bolts  
X 2



4x20mm Screws  
X 4



5mm Allen Key  
X 1

Weight Limit: 700 lb / 317 kg

Thank you for purchasing our product! We guarantee that the materials and craftsmanship of this product are defect-free!

## Please Read Before Starting Assembly

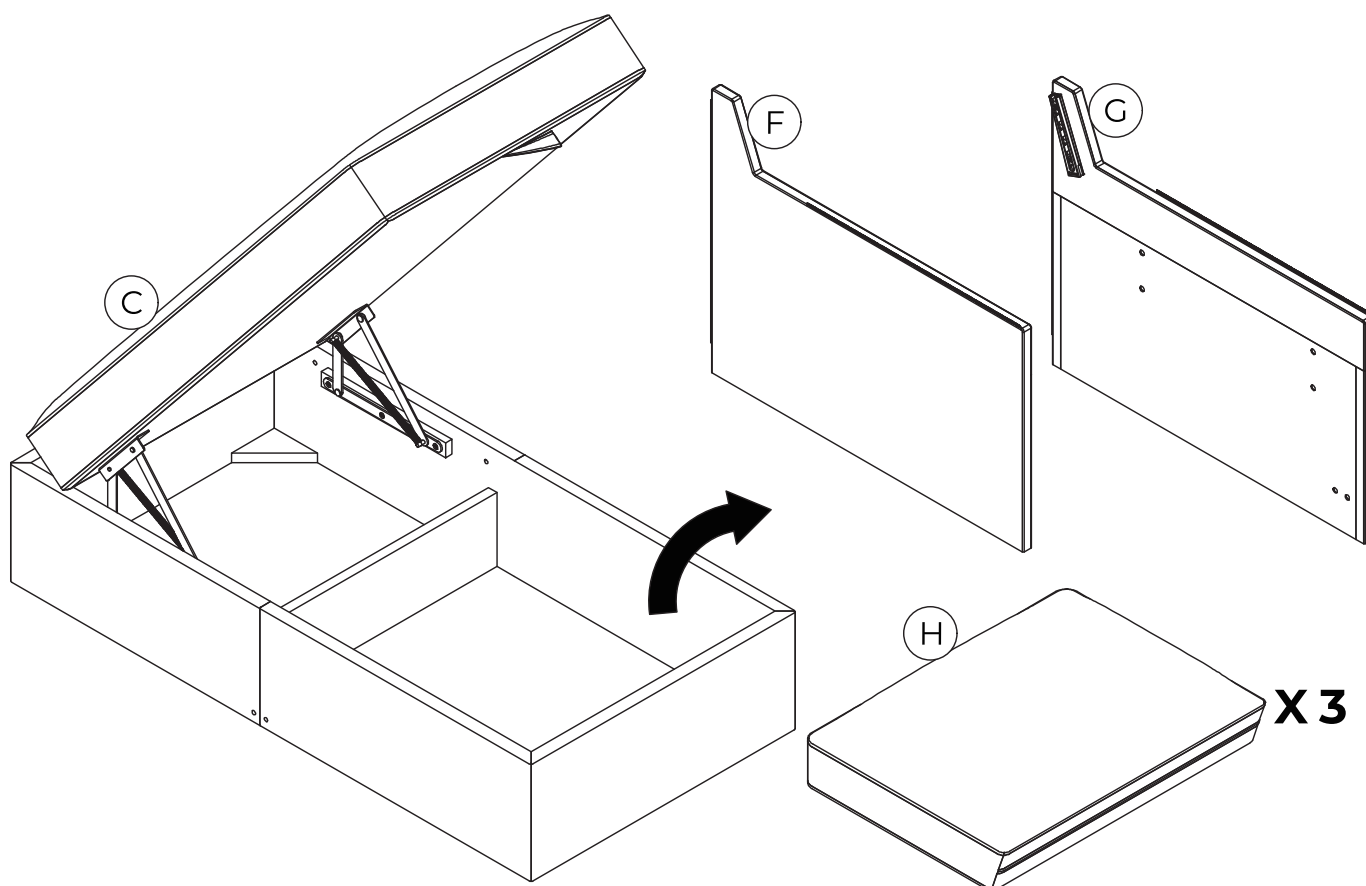
1. Follow the assembly Steps one by one, and do not skip any Steps.
2. Assemble the product in a spacious area, keeping a safe distance from infants and children. It's advisable to place protective packaging on the floor before assembly to safeguard your flooring and the product.
3. Thoroughly check to ensure that all connections (screws, bolts, etc.) are properly tightened.
4. If the product requires two or more people to assemble, do not attempt to install it alone, as it could pose a threat to your personal safety.

## Caution

1. The product you purchased may have slight variations in appearance compared to the illustrations in the assembly instructions.
2. The packaging contains plastic bags; please keep these plastic bags out of the reach of infants and children. Avoid assembling near cribs, beds, infants, or children. The thin film of these bags can adhere to the mouth and nose, leading to suffocation. After removing the product, please dispose of the plastic bags immediately or use other packaging materials. Do not reuse these plastic bags.

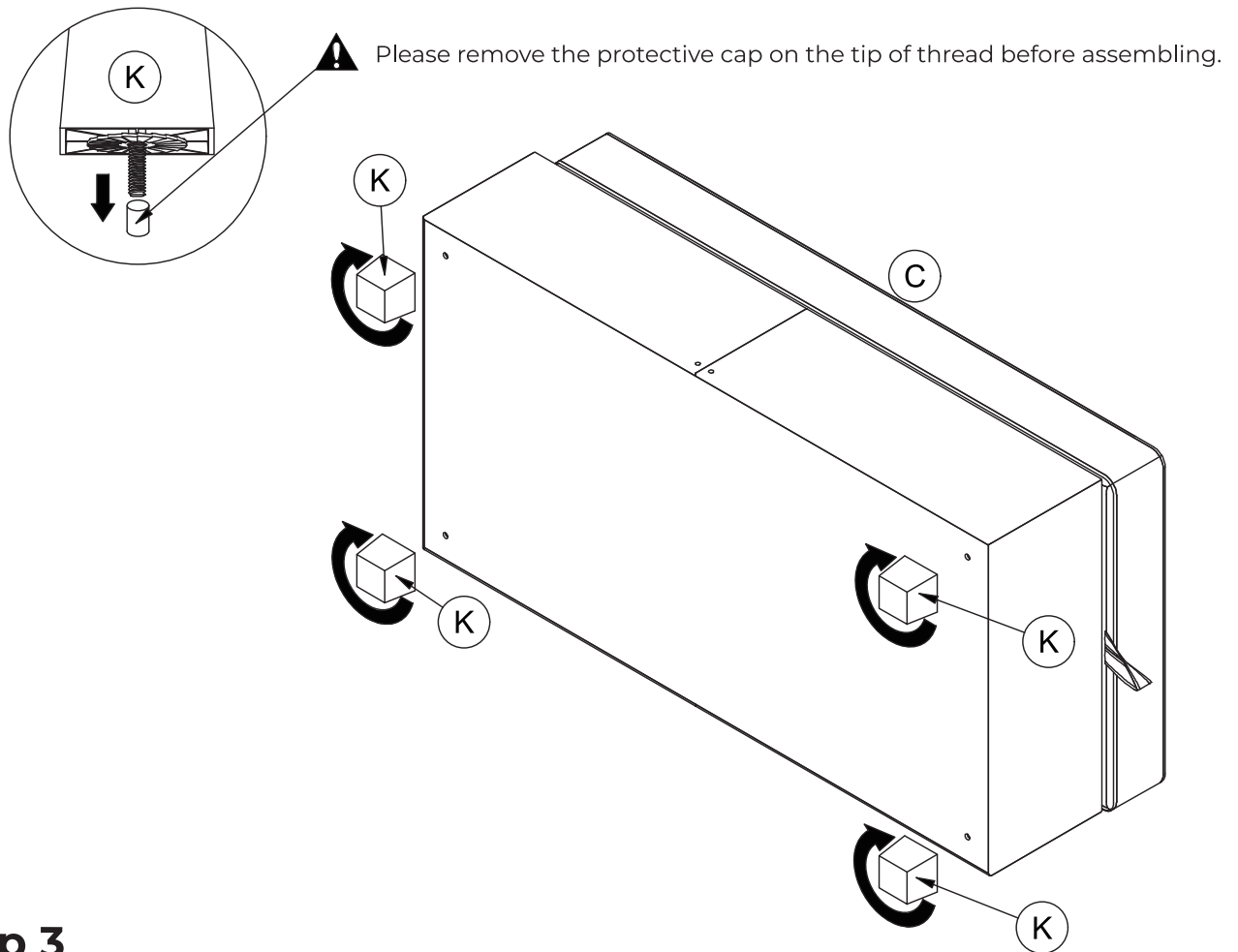
## Step 1

Something will be found in the compartment under the seat, as shown.



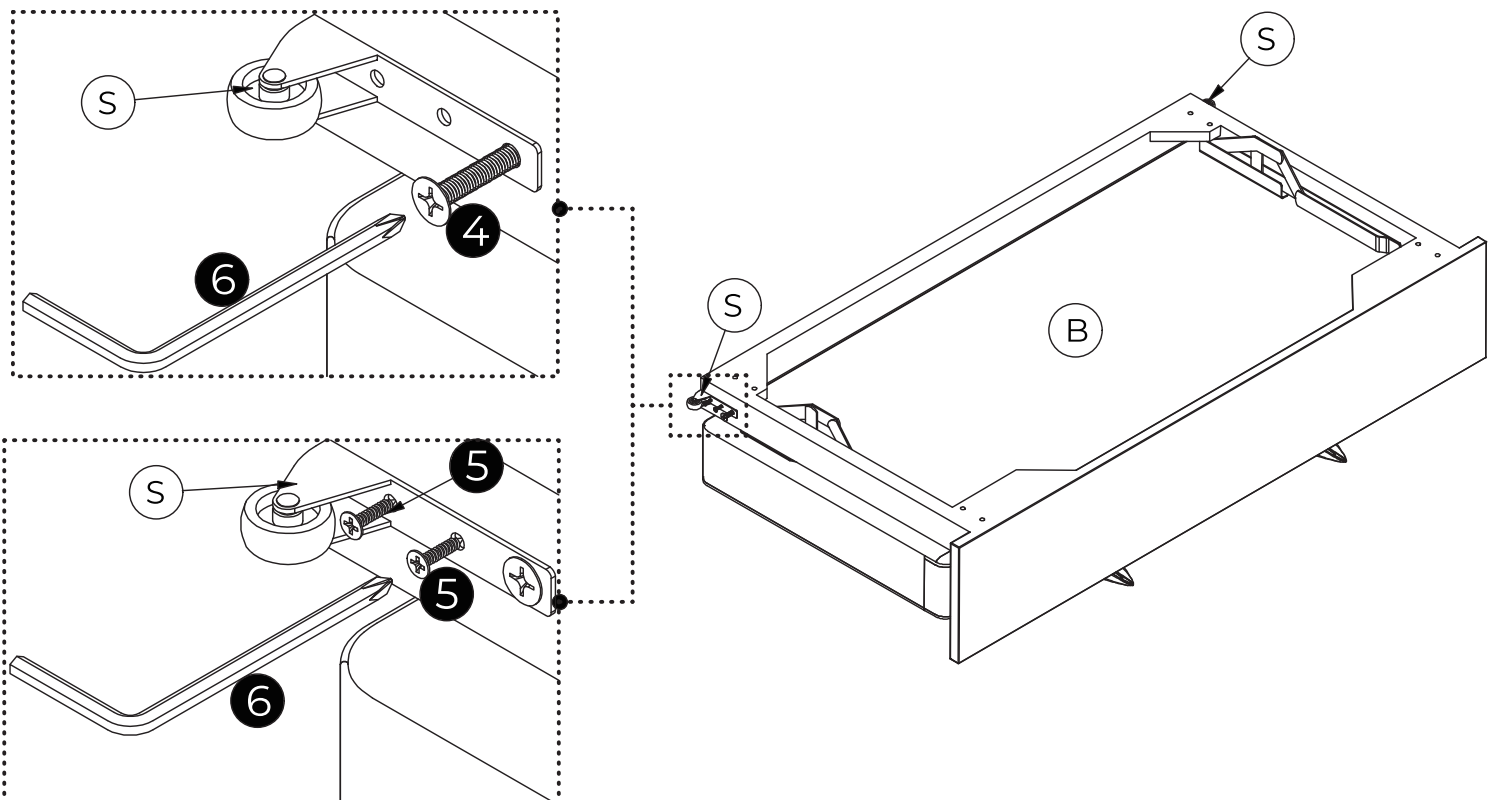
## Step 2

Manually screw Legs **K** x 4 to Chaise **C**, as shown.



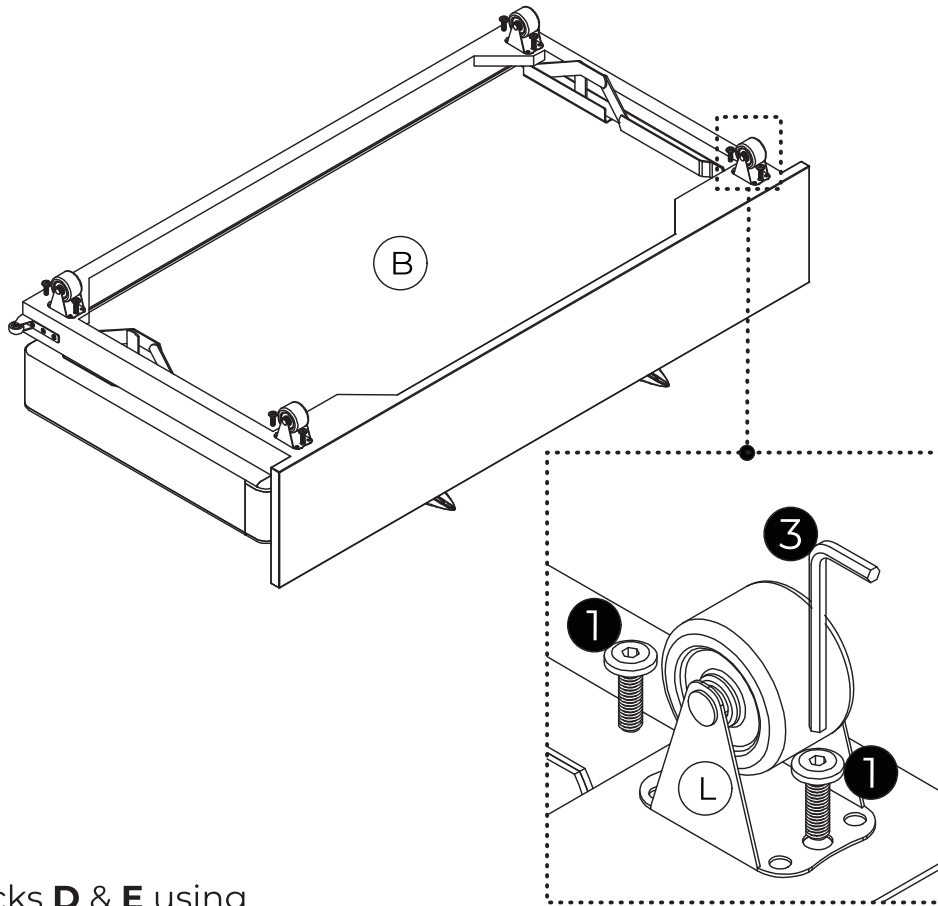
## Step 3

Attach Brackets **S** x 2 to Pullout Seat **B** with bolts **4** and screws **5**, as shown.



## Step 4

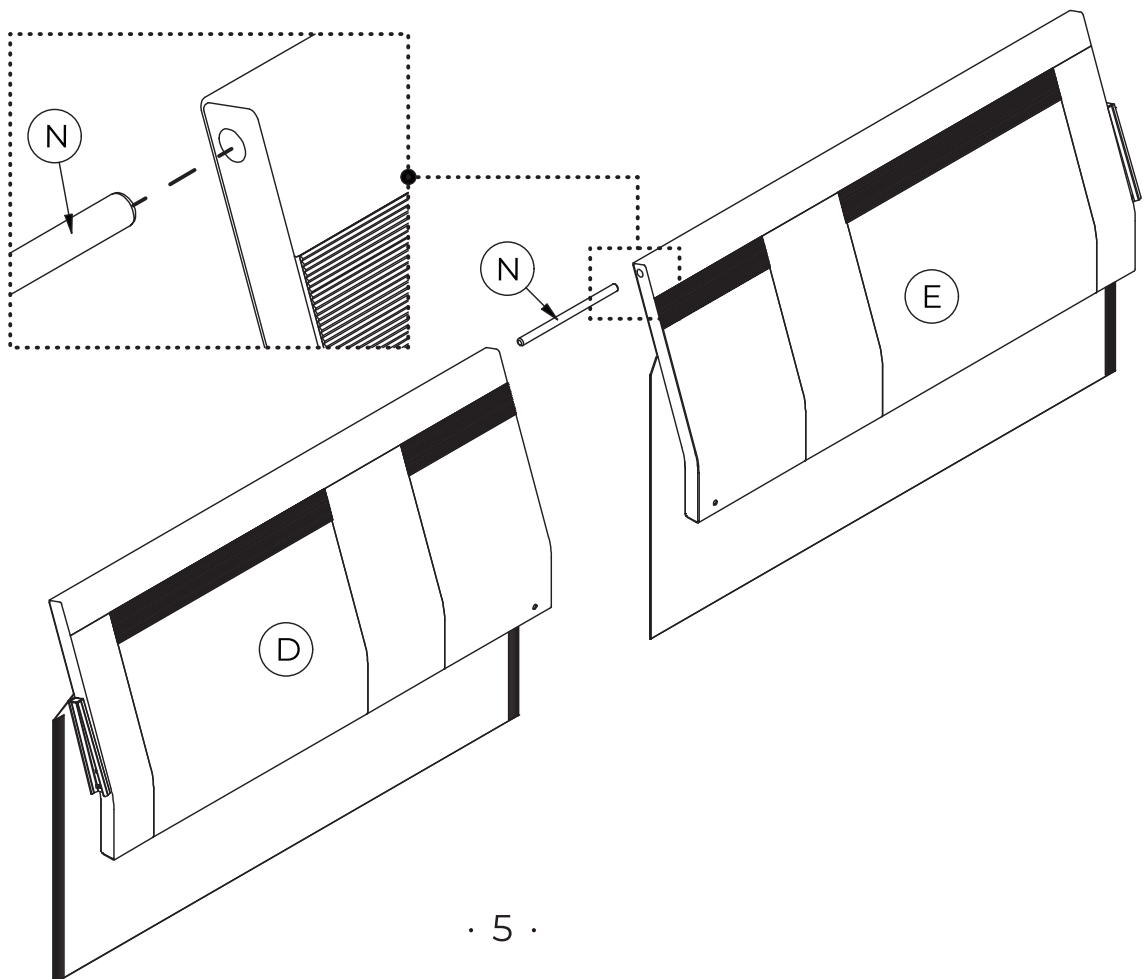
Attach Pulley Legs **L** x 4 to Pullout Seat **B** with bolts **1**, as shown.



## Step 5

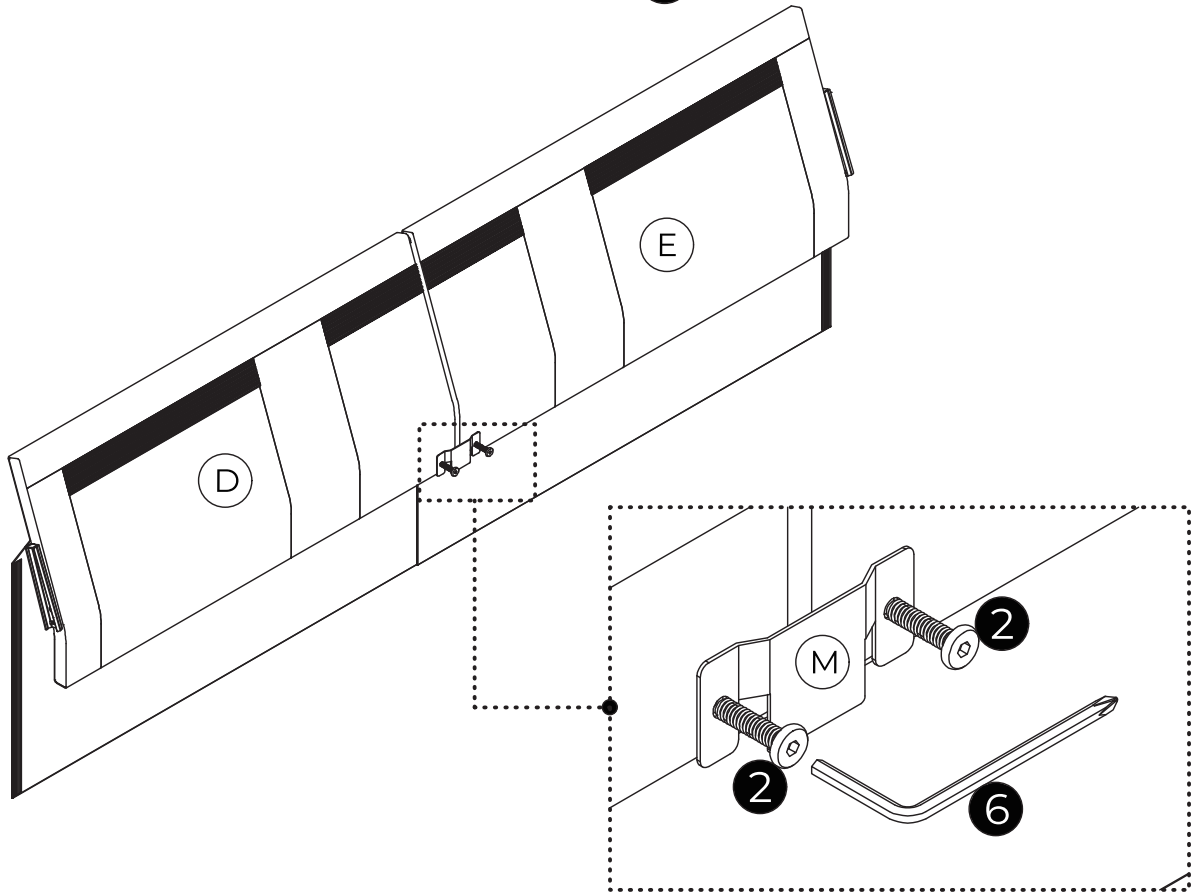
Connect Backs **D** & **E** using Connector **N**, as shown.

⚠ Use the middle holes to install.



## Step 6

Attach Bracket **M** to Backs **D** & **E** with Bolt **2**, as shown.

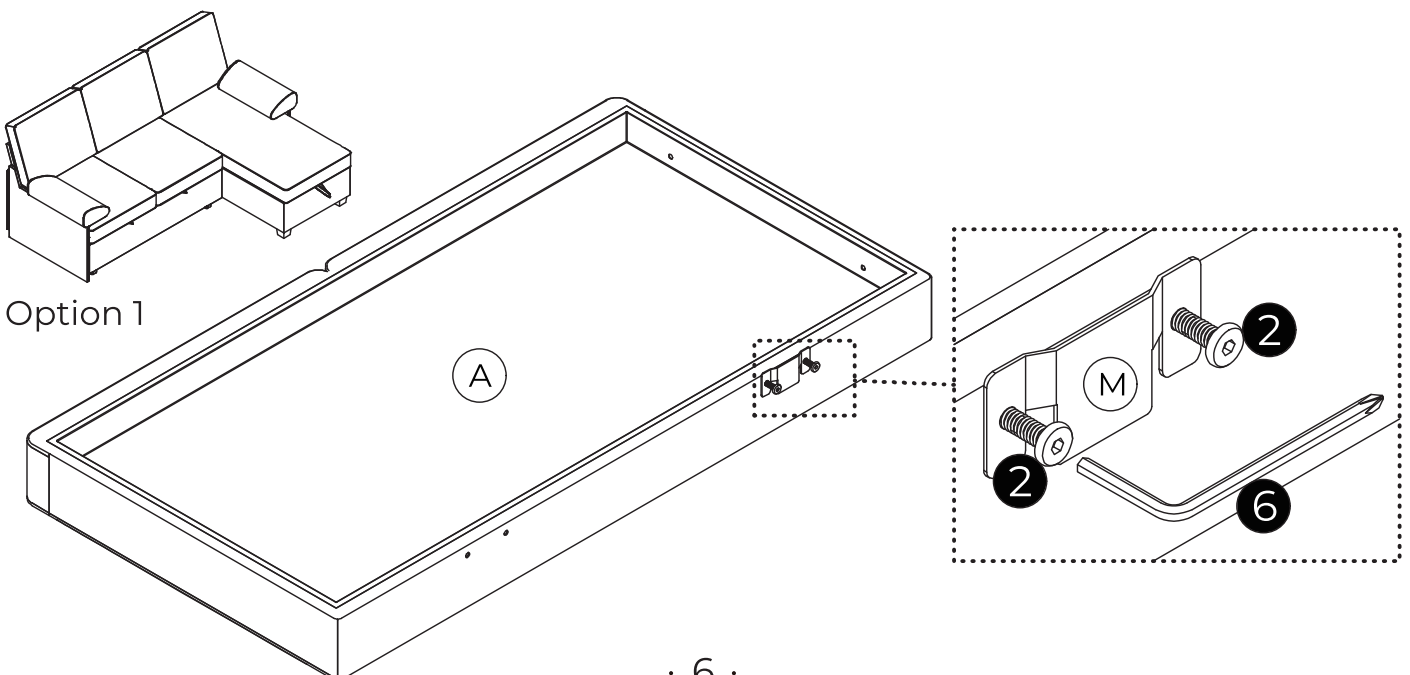


⚠ There are 2 options for the chaise position. From Step 7 to Step 21, we will show you how to assemble Option 1.

⚠ If you intend to assemble Option 2, please start from Step 22 instead.

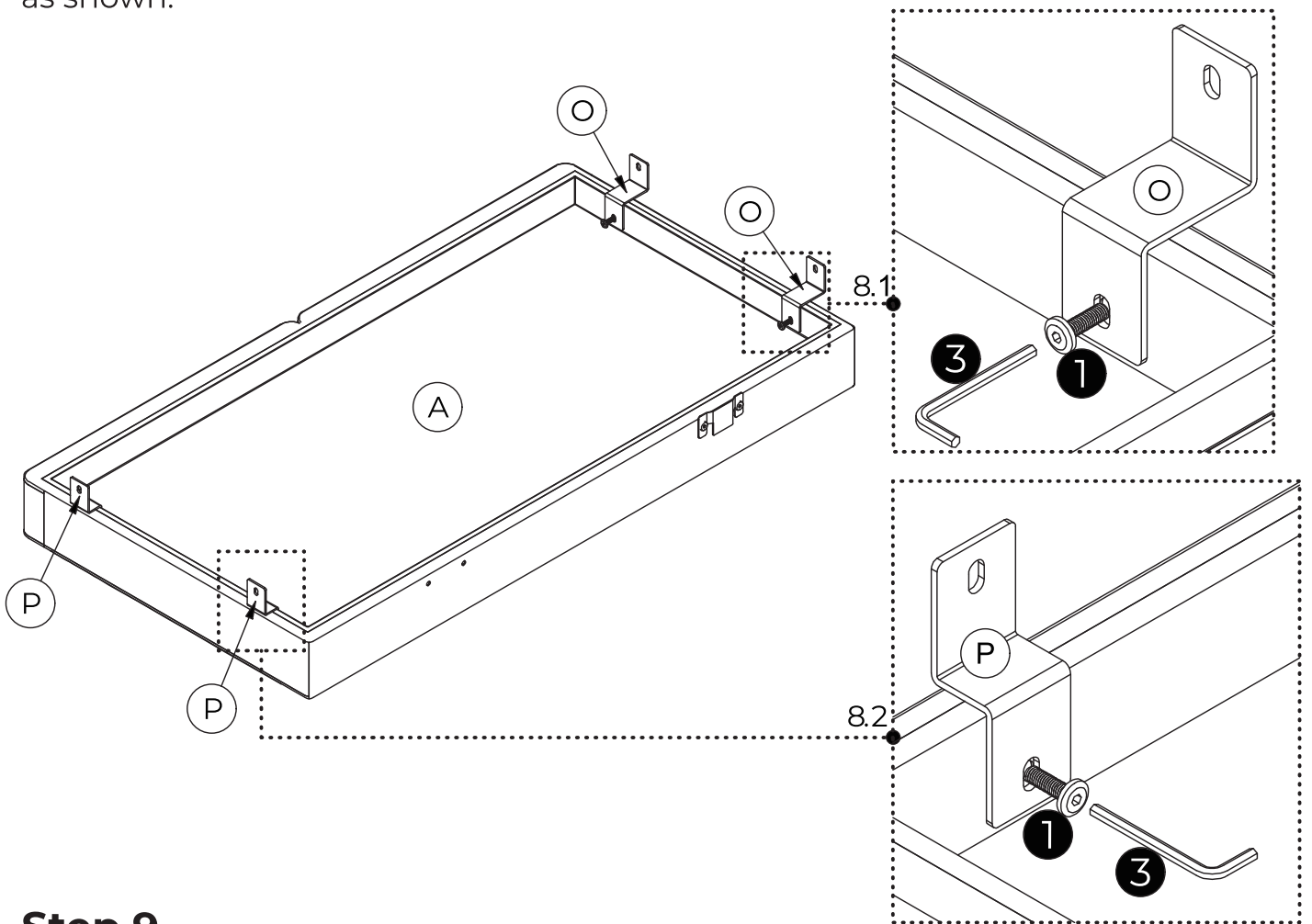
## Step 7

Attach Bracket **M** to the right two holes of Double Seat **A** with Bolt **2**, as shown.



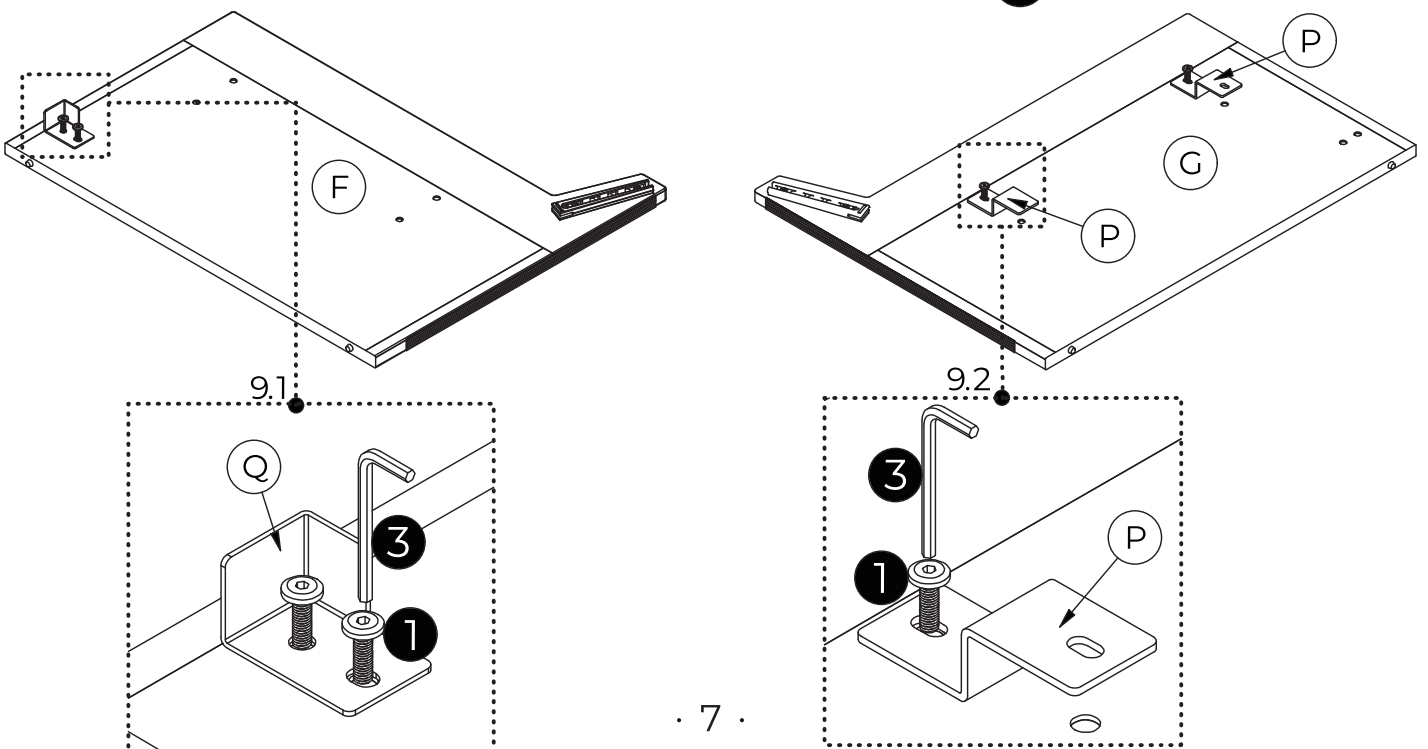
## Step 8

- 8.1 Attach Connectors **O** x 2 to the right two holes of Double Seat **A** with Bolt **1** .  
8.2 Attach Connectors **P** x 2 to the left two holes of Double Seat **A** with Bolt **1** ,  
as shown.



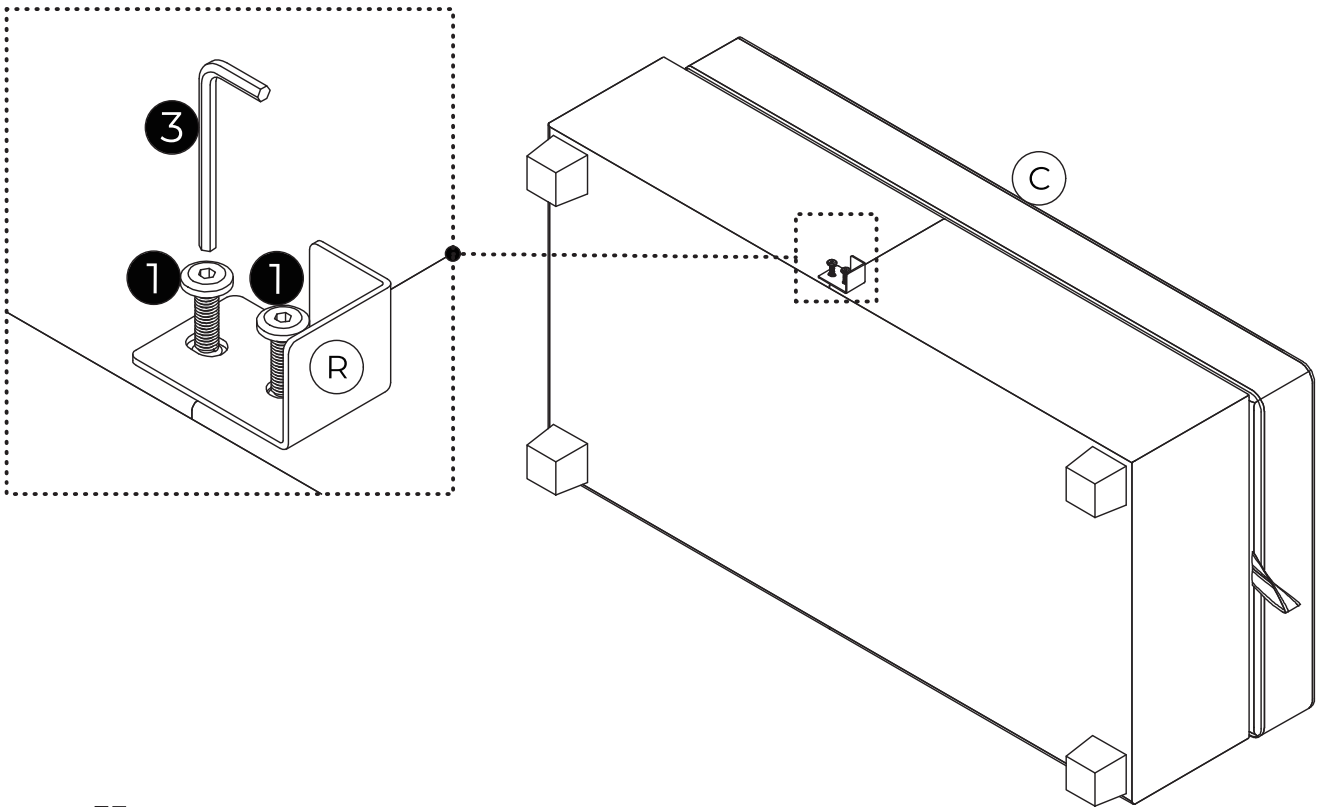
## Step 9

- 9.1 Attach Left Bracket **Q** to Left Armrest **F** with Bolt **1** .  
9.2 Attach Connectors **P** x 2 to Right Armrest **G** with Bolt **1** , as shown.



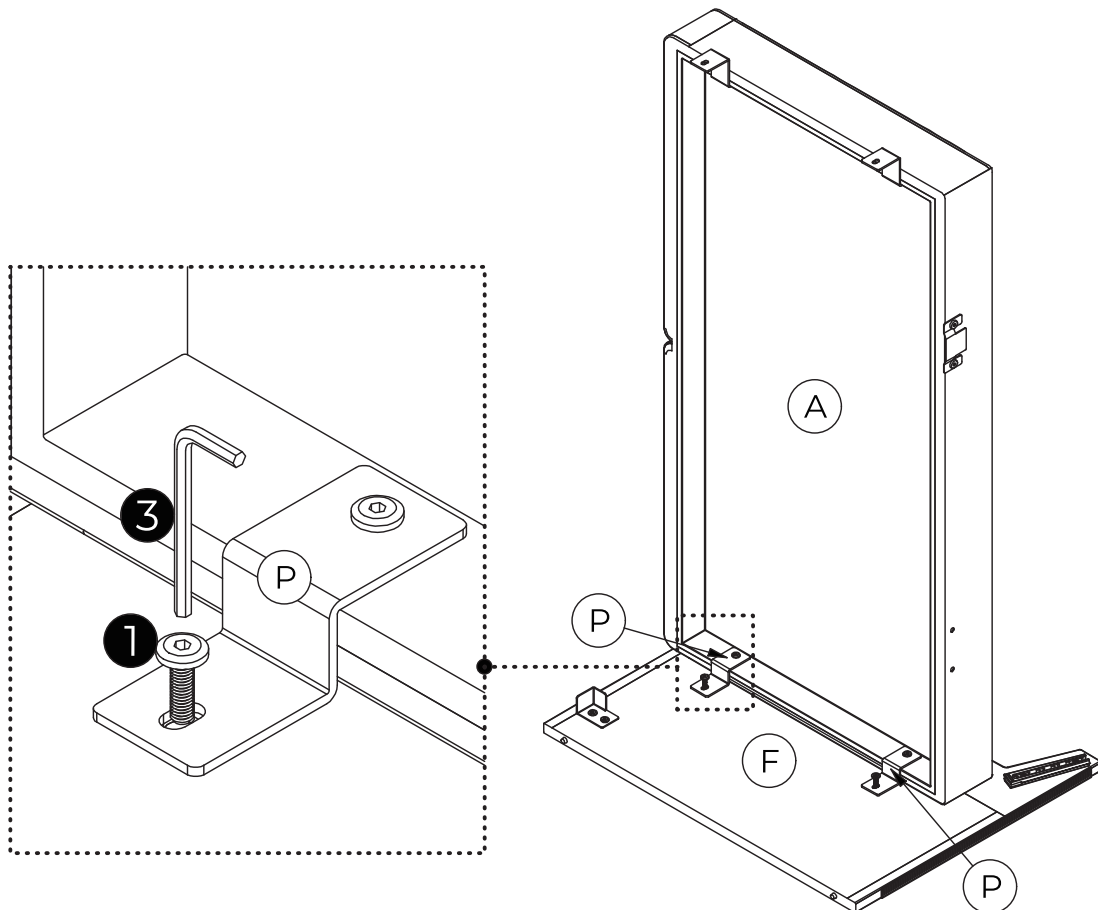
## Step 10

Attach Right Bracket **R** to the left two holes of Chaise **C** with Bolt **1**, as shown.



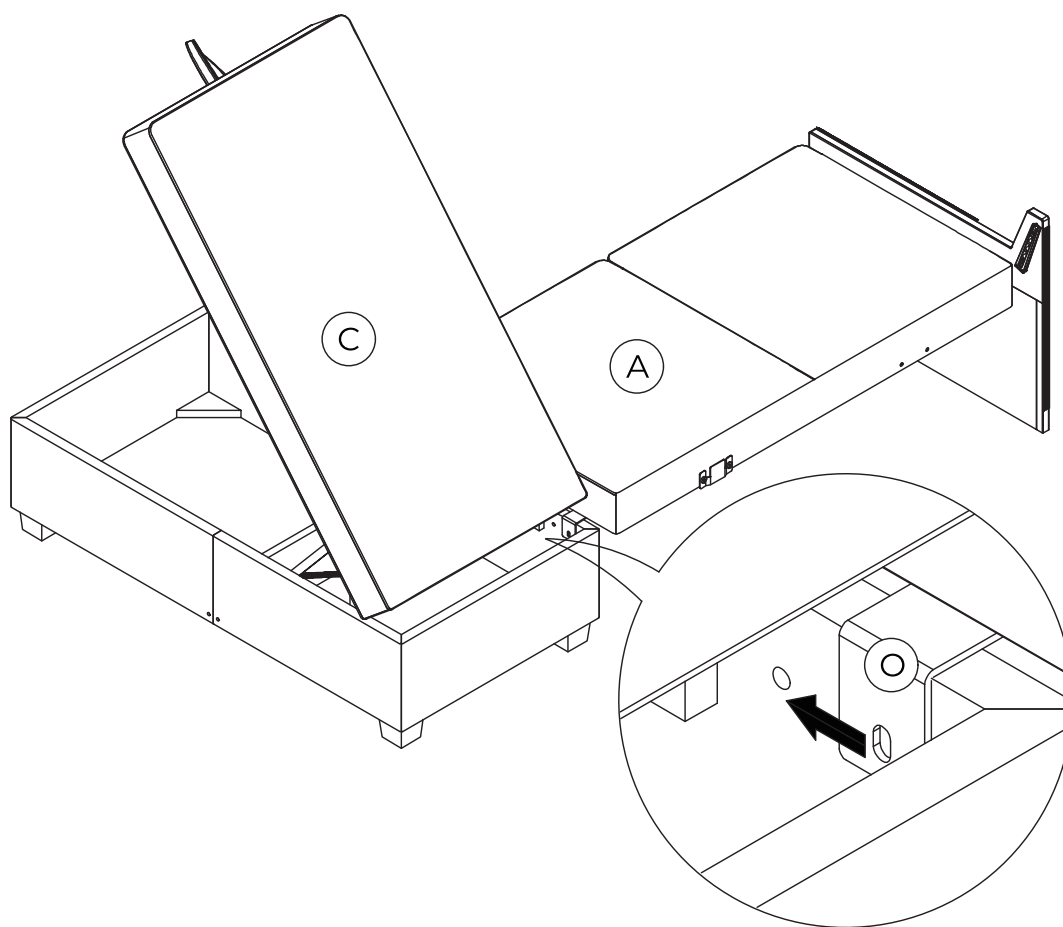
## Step 11

Attach Double Seat **A** to Left Armrest **F** using Connectors **P** x 2 with Bolt **1**, as shown.



## Step 12

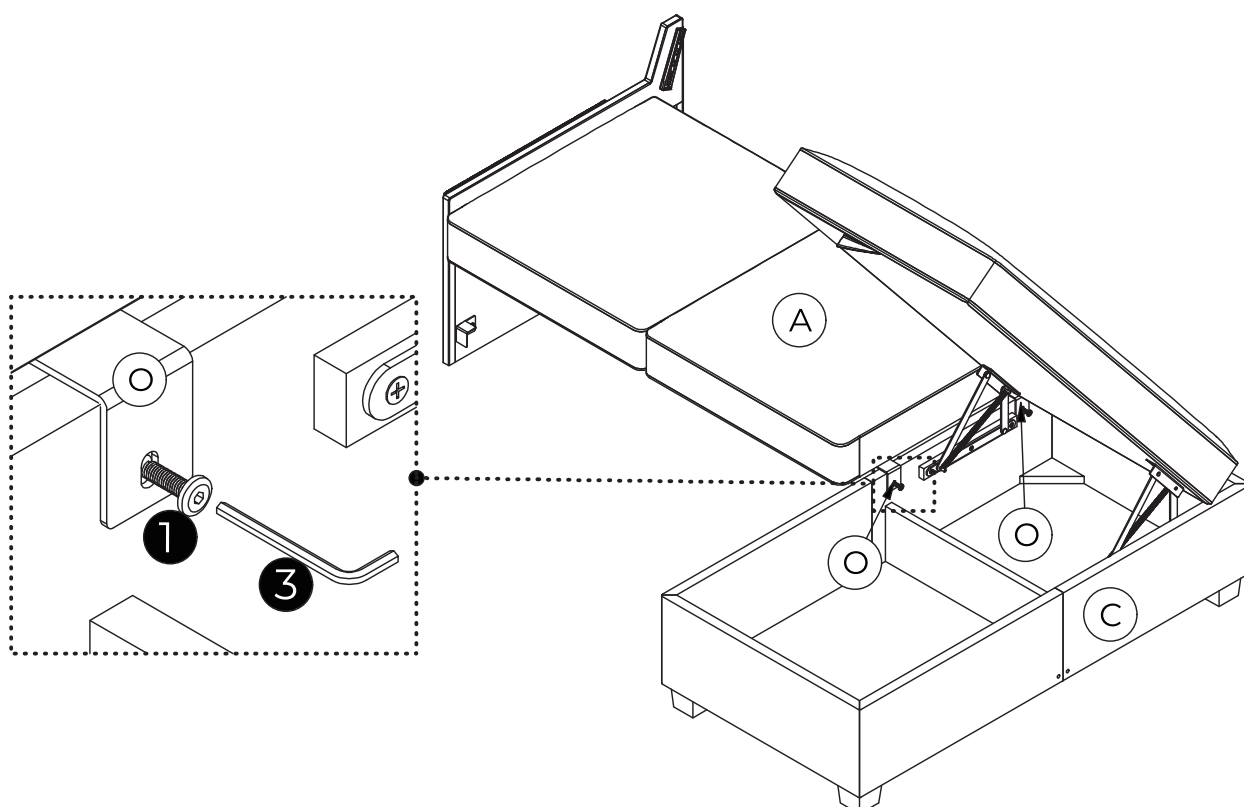
Attach Double Seat **A** to Chaise **C** using Connectors **O** x 2, as shown.



**!** Insert Connector **O** from this position and move it to the hole.

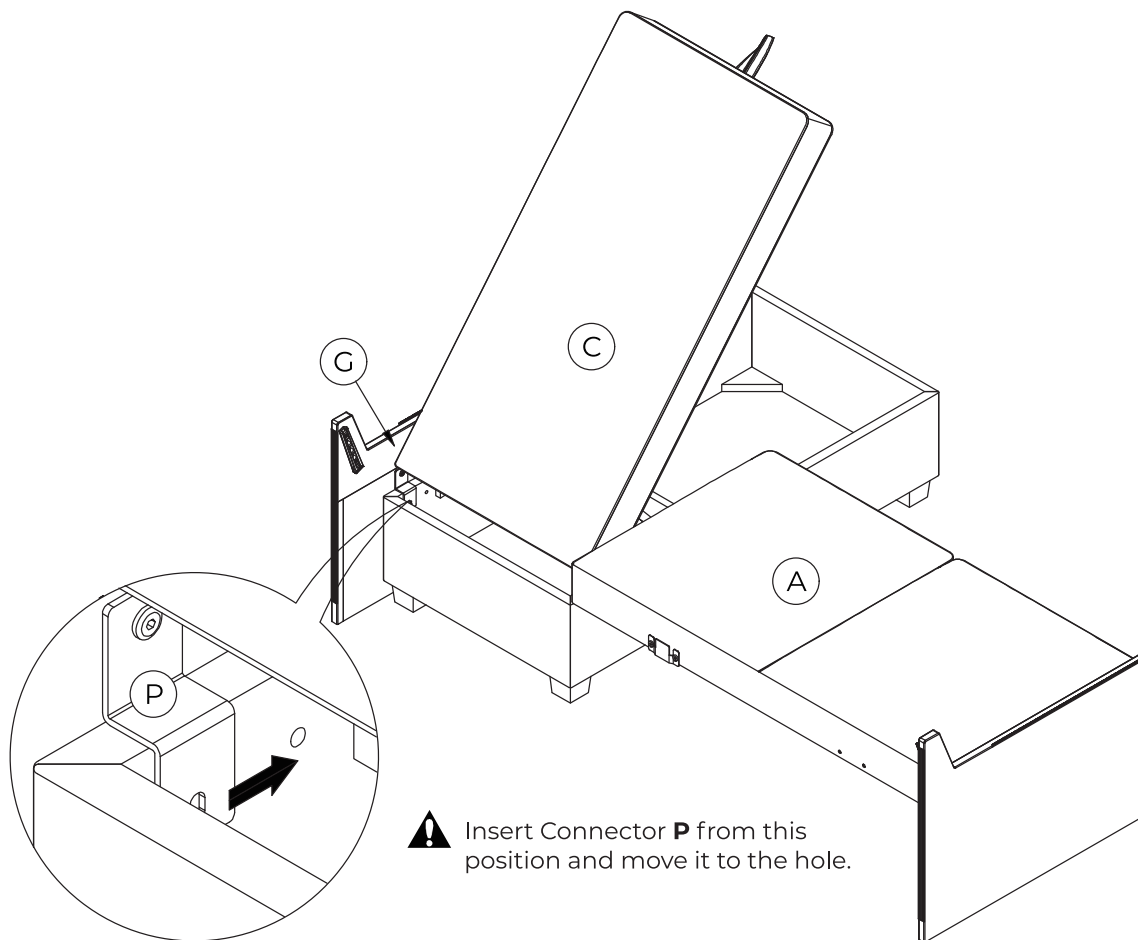
## Step 13

Attach Connectors **O** x 2 to Chaise **C** with Bolt **1**, as shown.



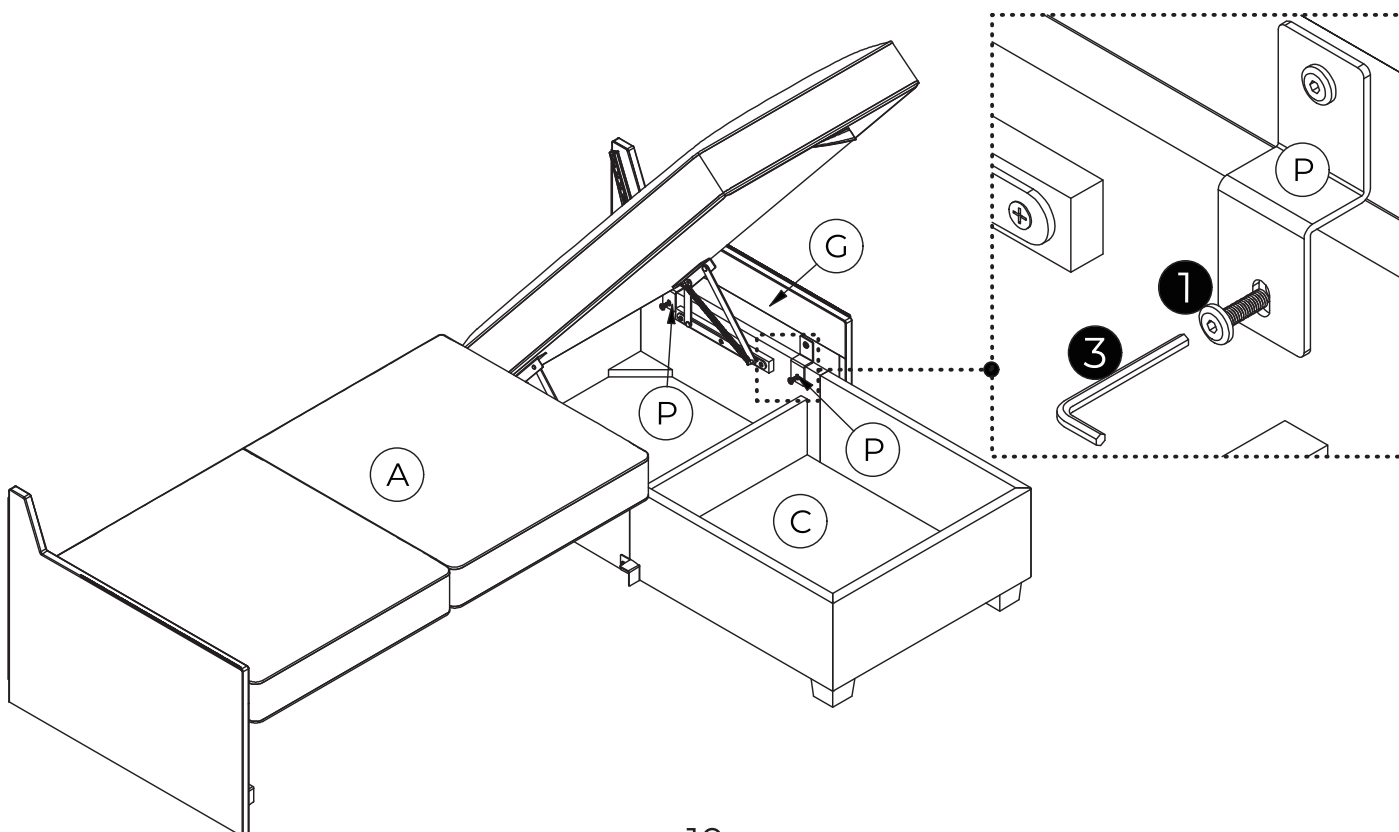
## Step 14

Attach Right Armrest **G** to Chaise **C** using Connectors **P** x 2, as shown.



## Step 15

Attach Connectors **P** x 2 to Chaise **C** with Bolt **1**, as shown.

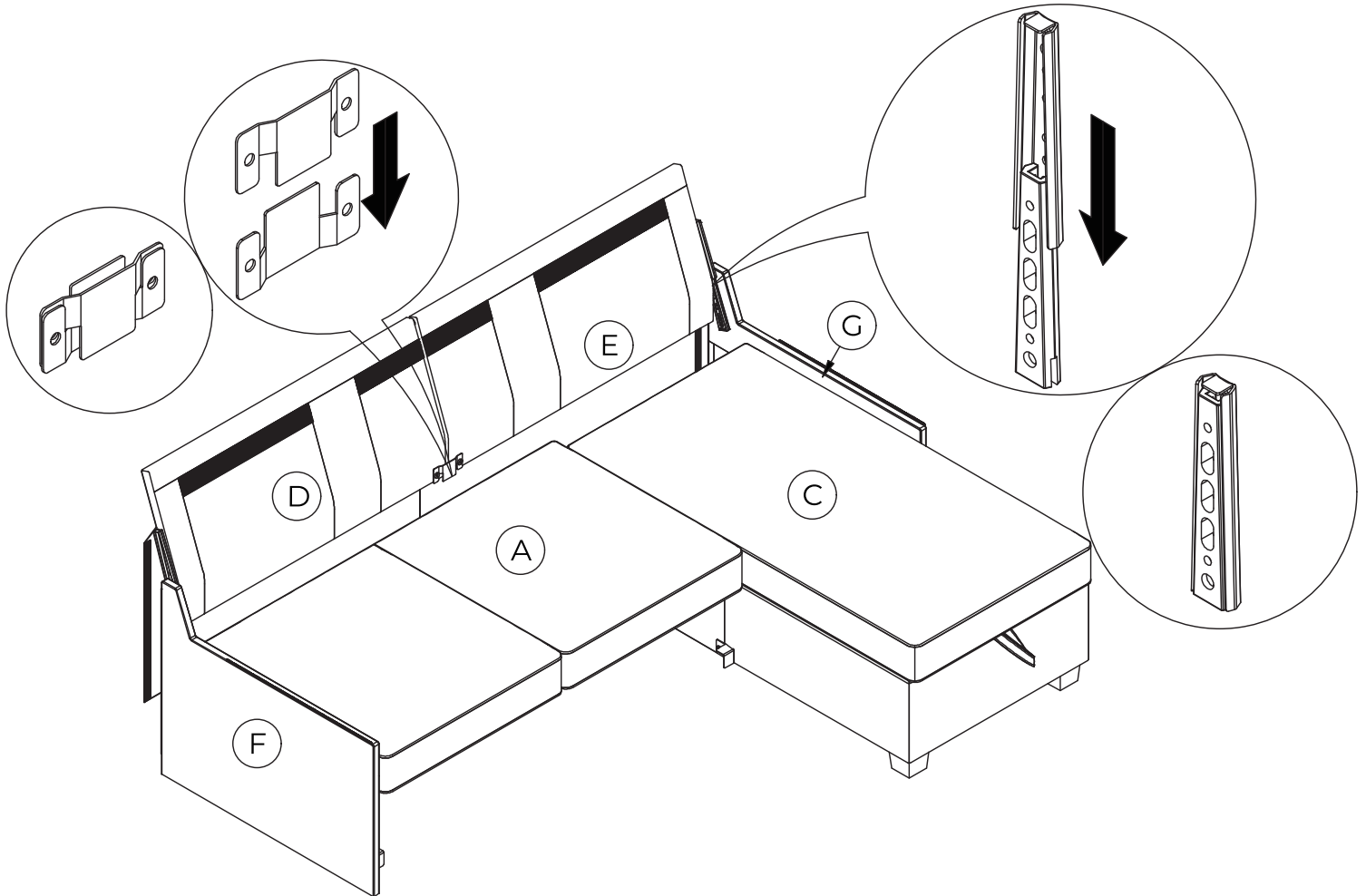


## Step 16

Attach Backs **D** & **E** to Armrests **F** & **G** by inserting the brackets on Backs **D** & **E** to the metal glides on Armrests **F** & **G**.

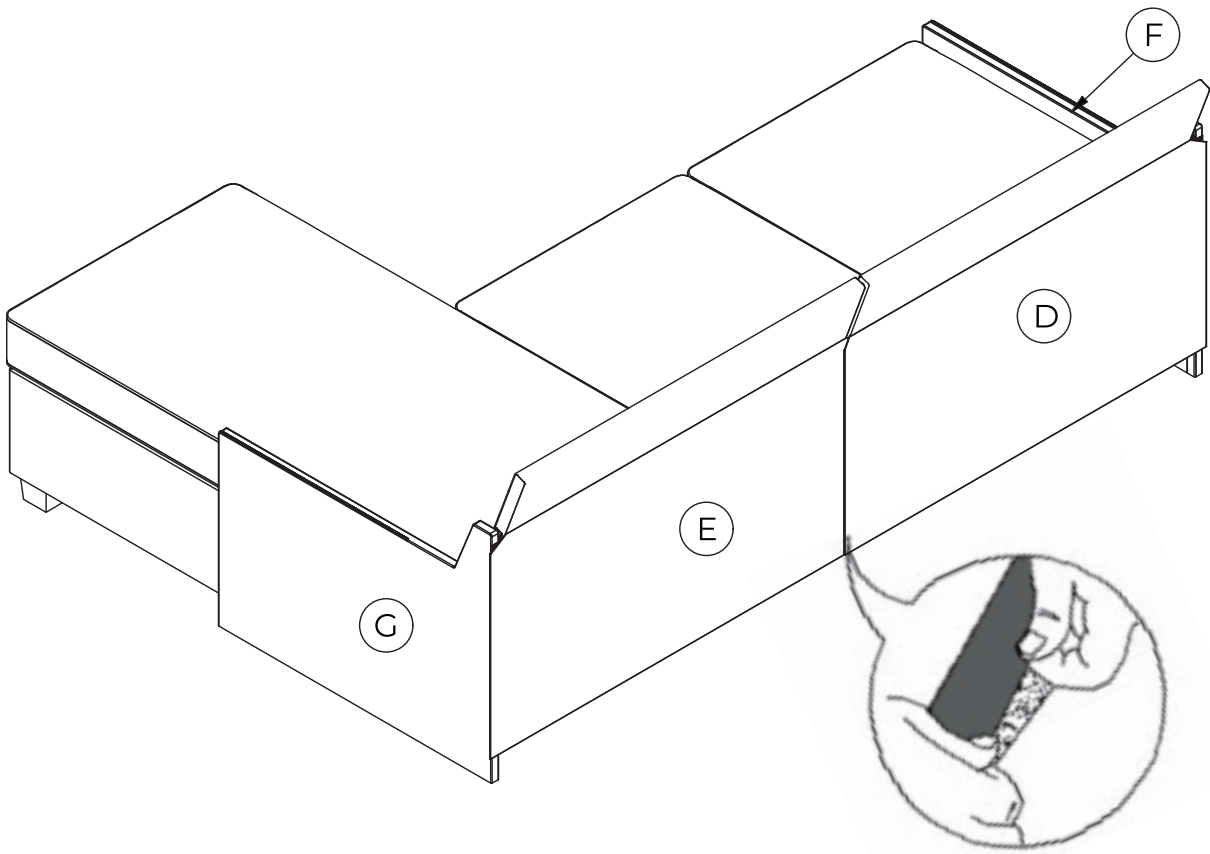
Attach Backs **D** & **E** to Double Seat **A** by inserting the Bracket **M** on Backs **D** & **E** into the Bracket **M** on Double Seat **A**.

Push Backs **D** & **E** downwards to secure it into place.



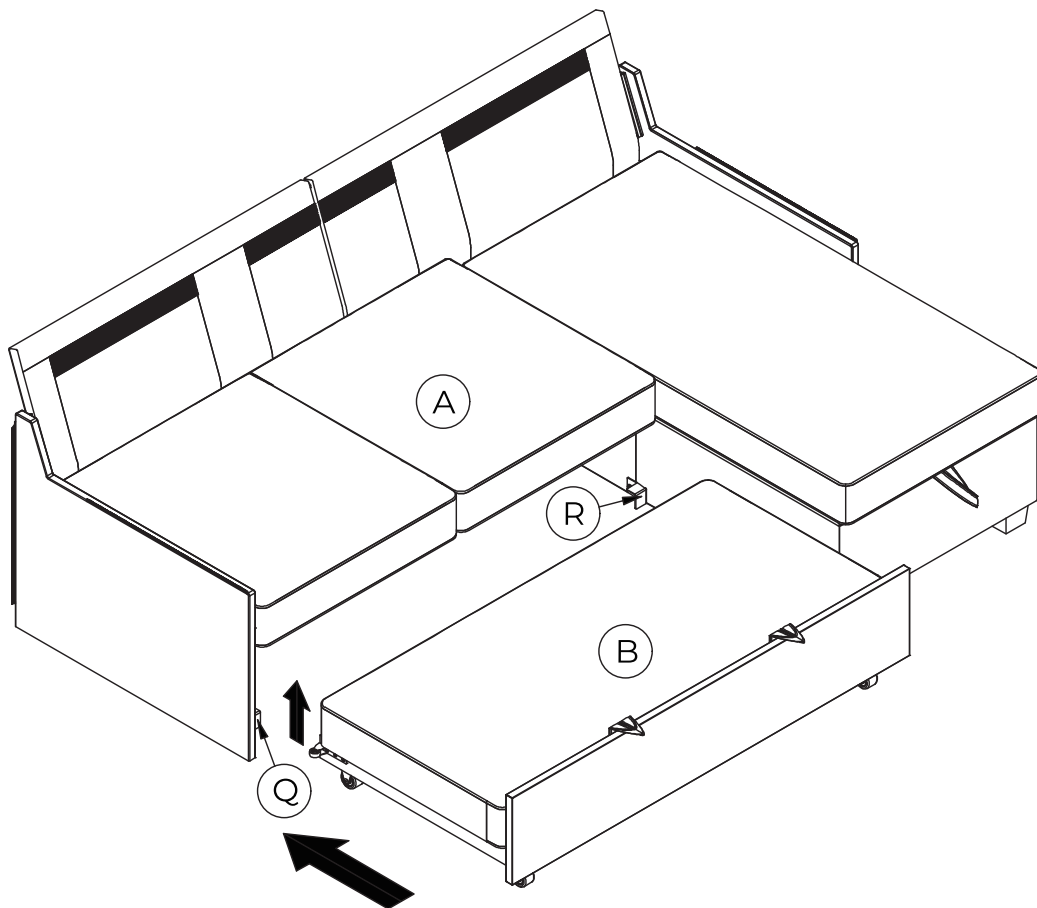
## Step 17

Stick fabric cover on Backs **D** & **E** to Armrests **F** & **G** with the hook and loop fastener. Stick fabric cover on Left Back Frame **D** to Right Back Frame **E** with the hook and loop fastener, as shown.



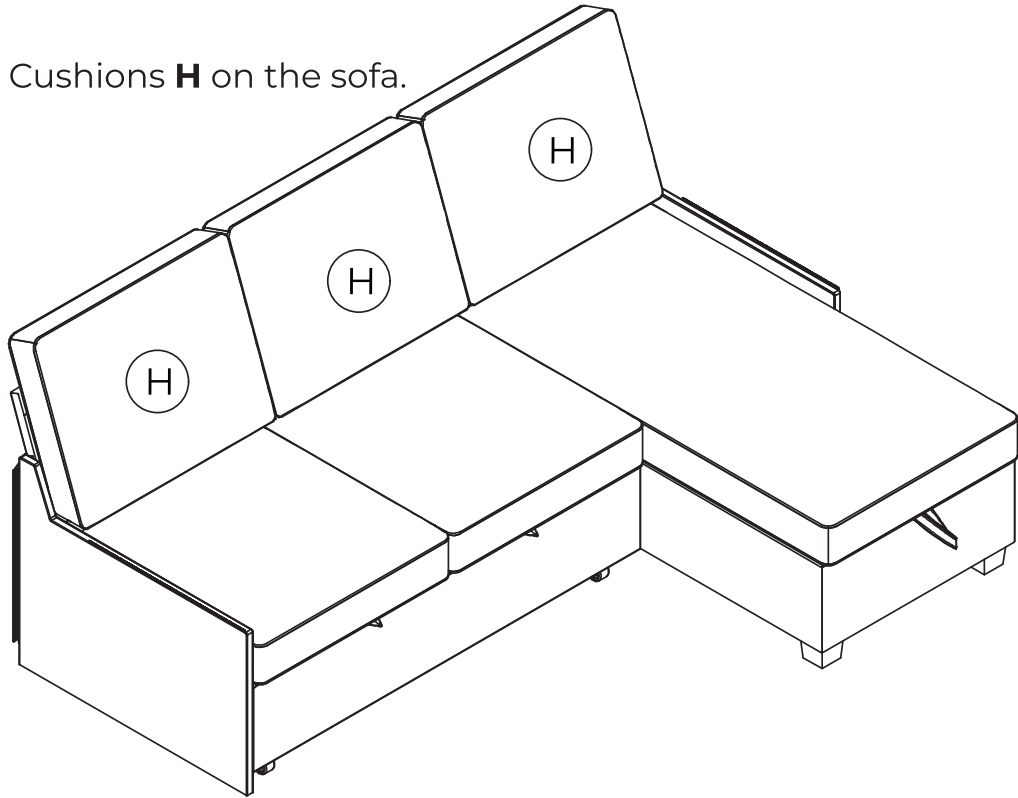
## Step 18

Lift the end of Pullout Seat **B**, then move Pullout Seat **B** into Double Seat **A** using Bracket **Q** & **R**, as shown.



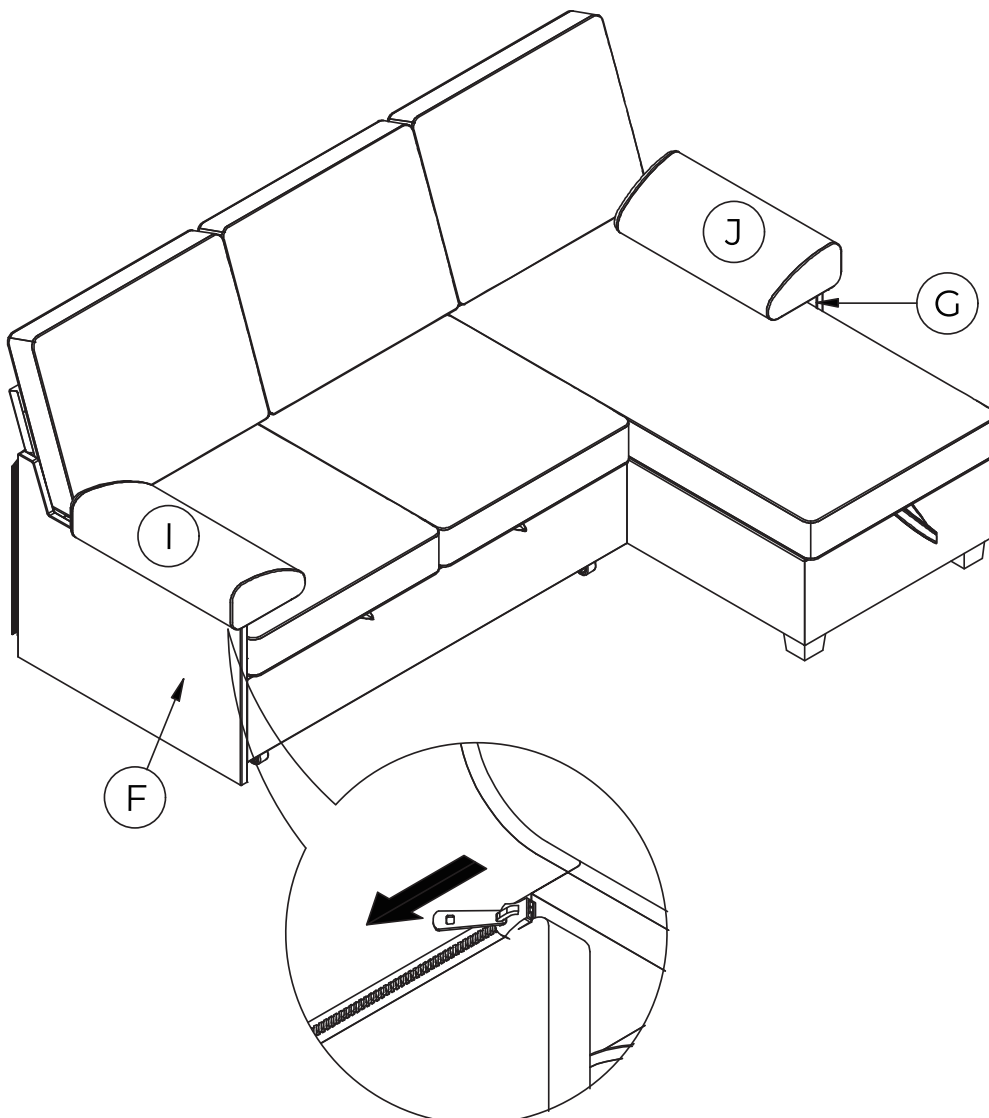
## Step 19

Put the Back Cushions **H** on the sofa.



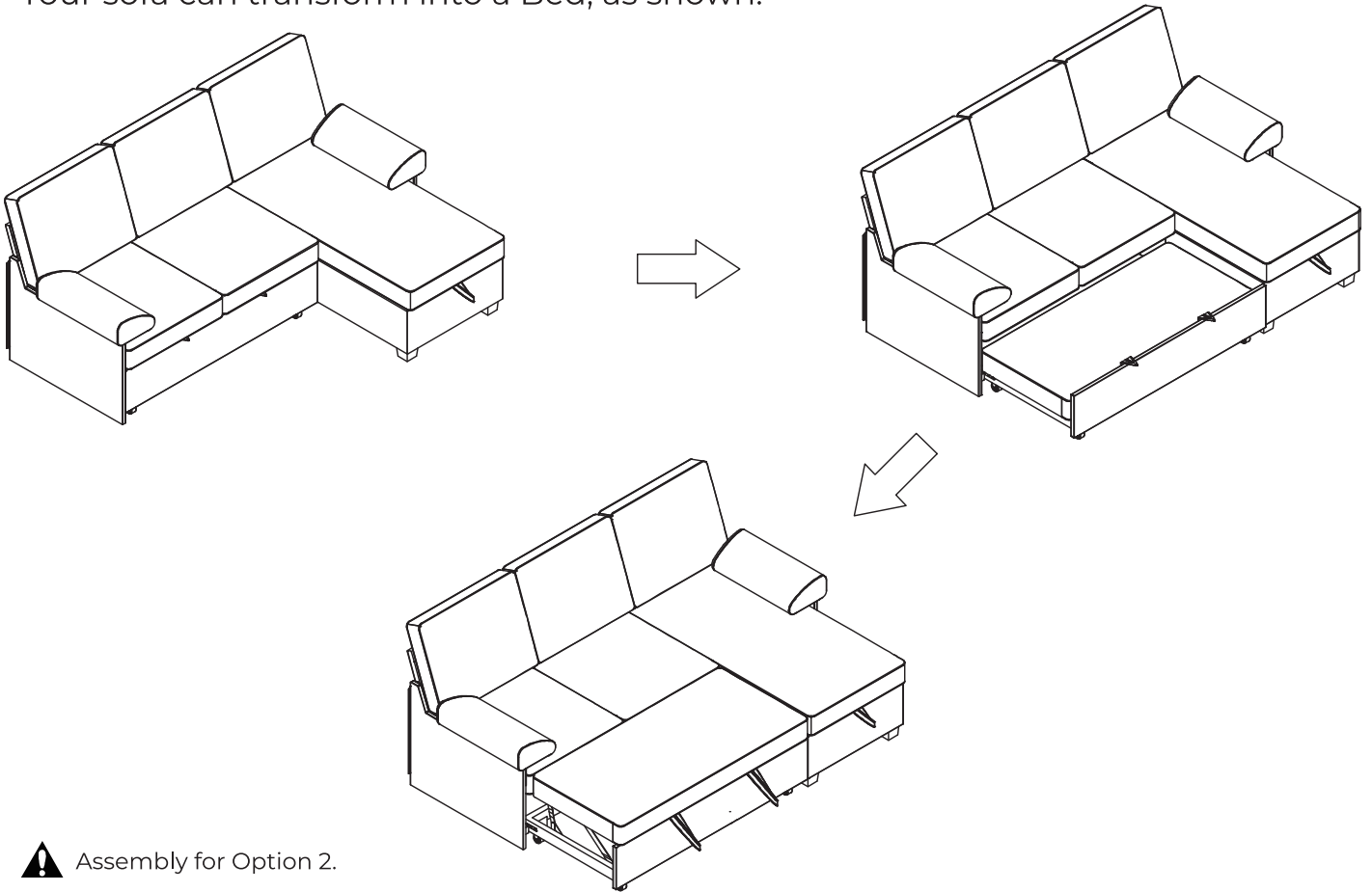
## Step 20

Attach Pillows **I** & **J** to Armrests **F** & **G** by closing the zipper, as shown.



## Step 21

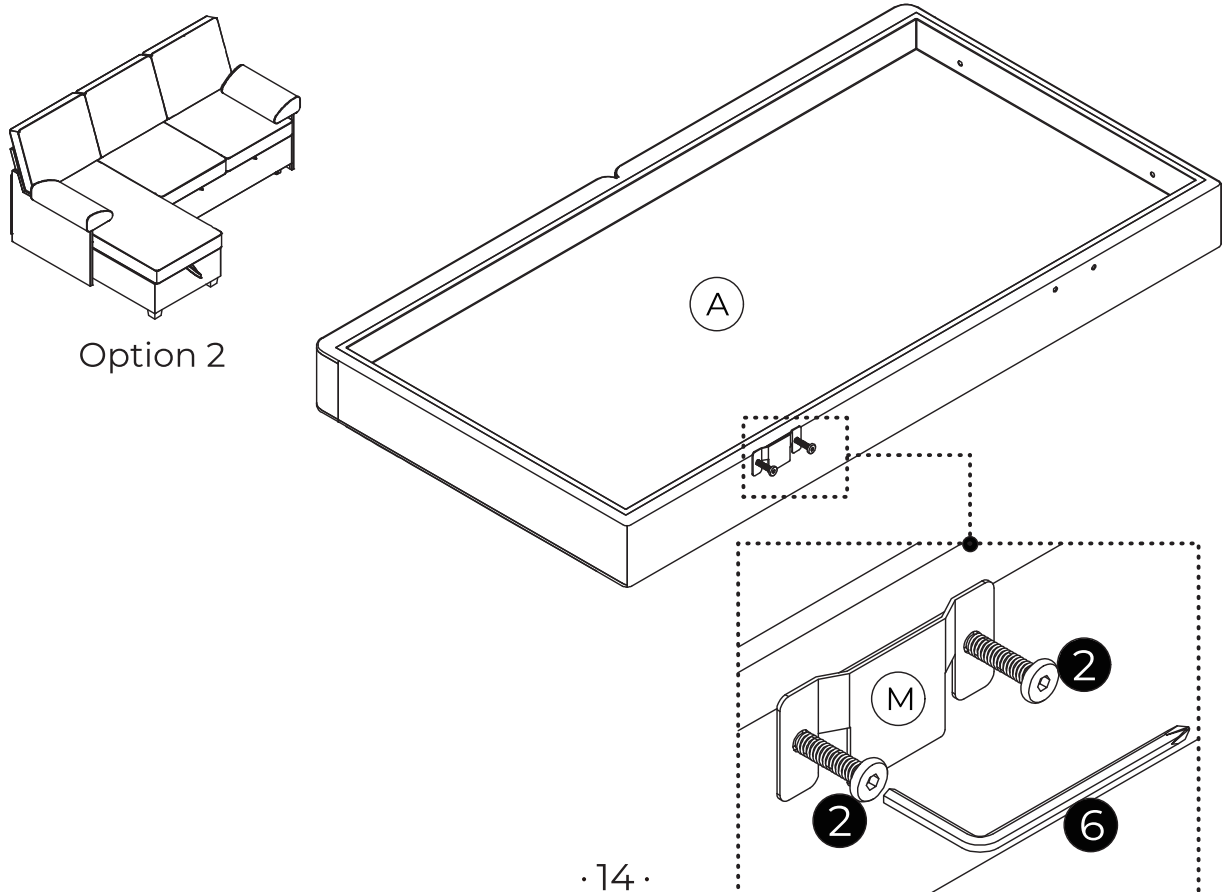
Your sofa can transform into a Bed, as shown.



 Assembly for Option 2.

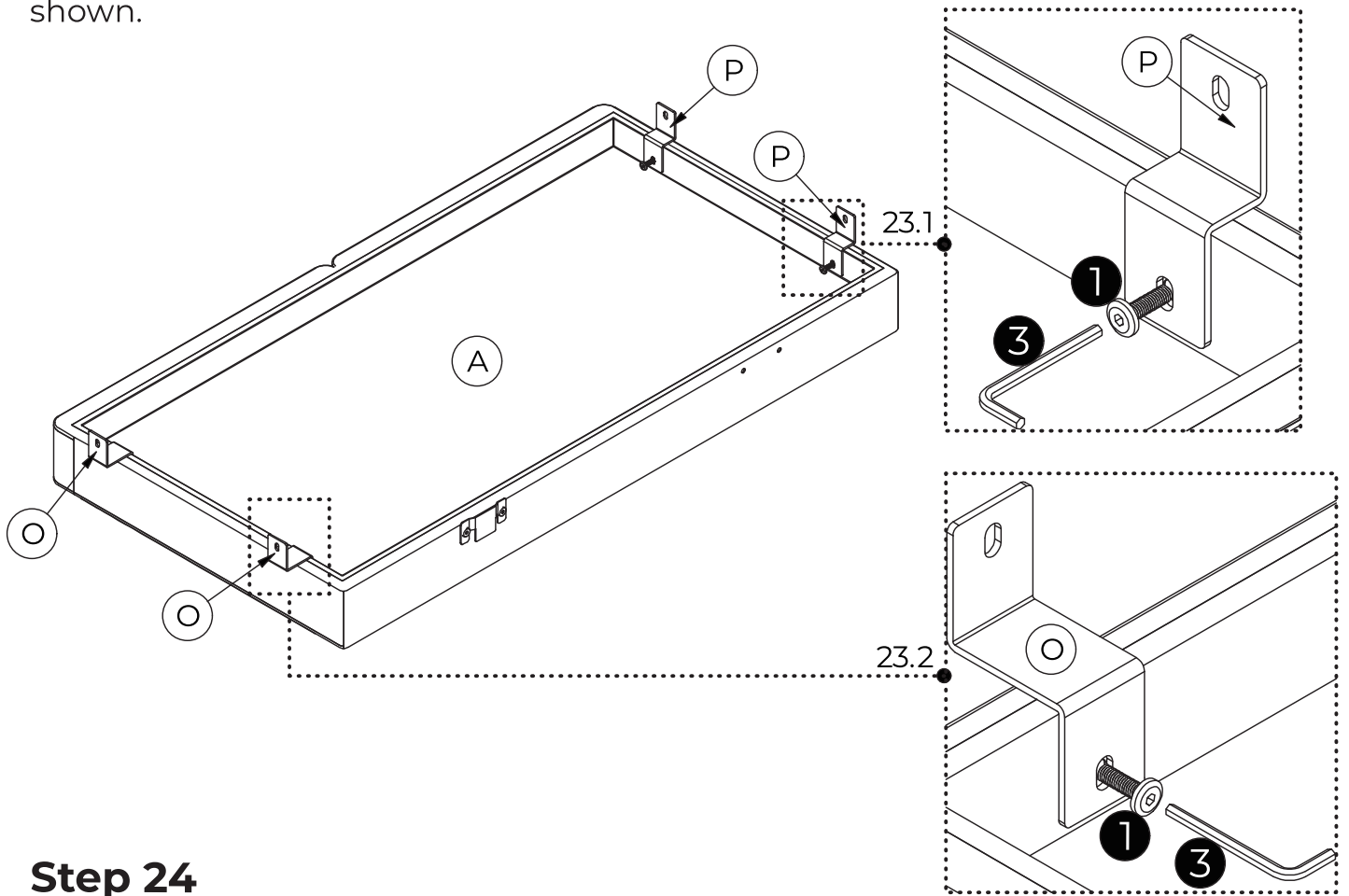
## Step 22

Attach Bracket **M** to the left two holes of Double Seat **A** with Bolt **2**, as shown.



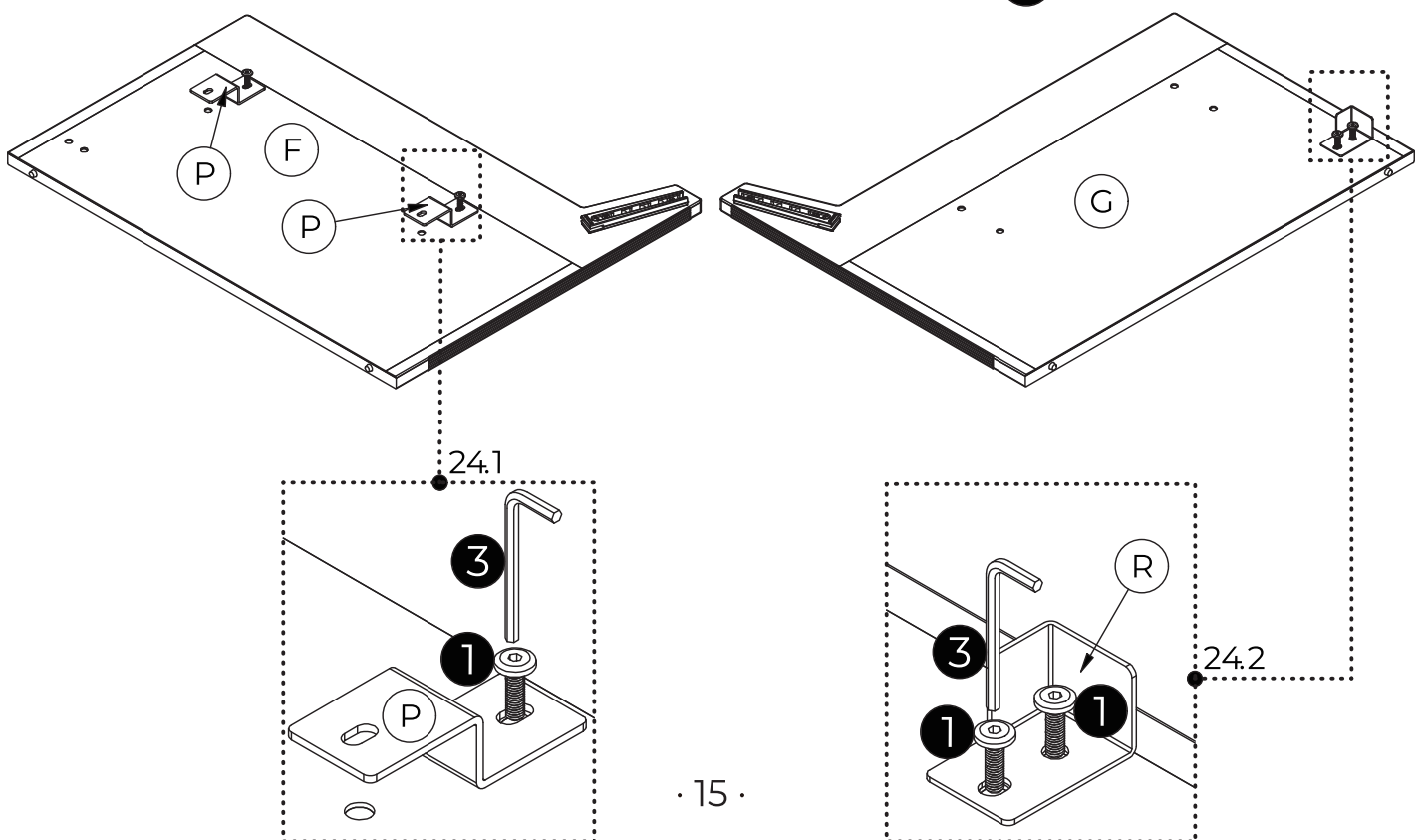
## Step 23

23.1 Attach Connectors **P** x 2 to the right two holes of Double Seat **A** with Bolt **1** .  
23.2 Attach Connectors **O** x 2 to the left two holes of Double Seat **A** with Bolt **1** , as shown.



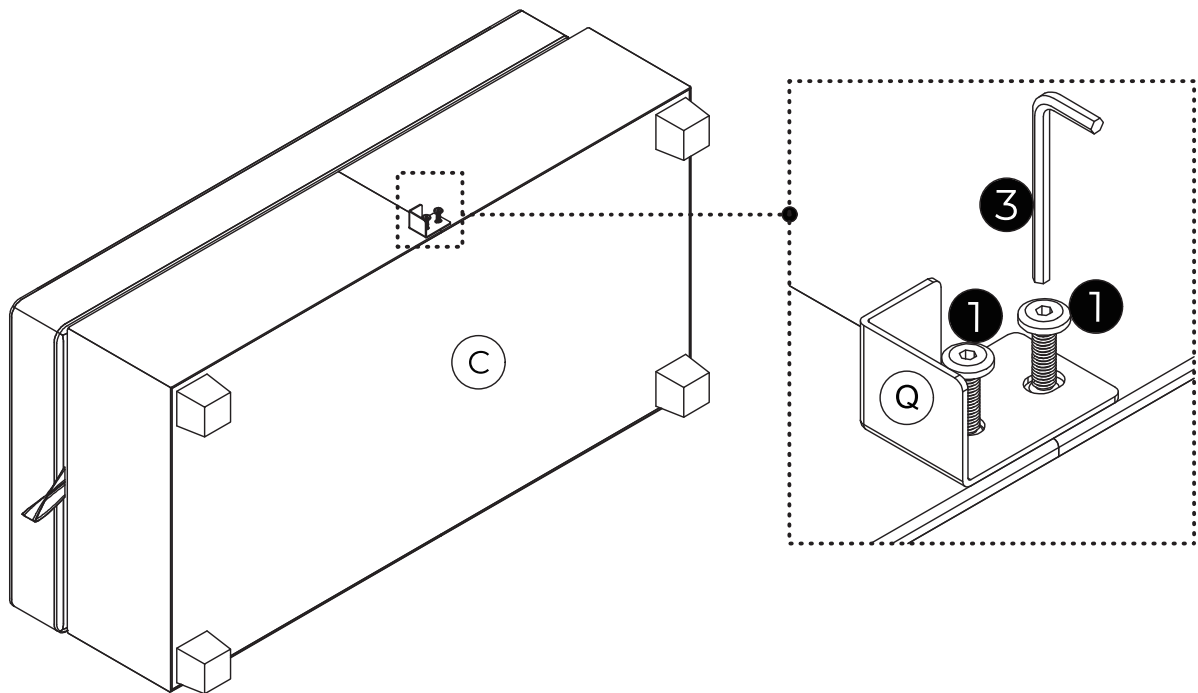
## Step 24

24.1 Attach Connectors **P** x 2 to Left Armrest **F** with Bolt **1** .  
24.2 Attach Right Bracket **R** to Right Armrest **G** with Bolt **1** , as shown.



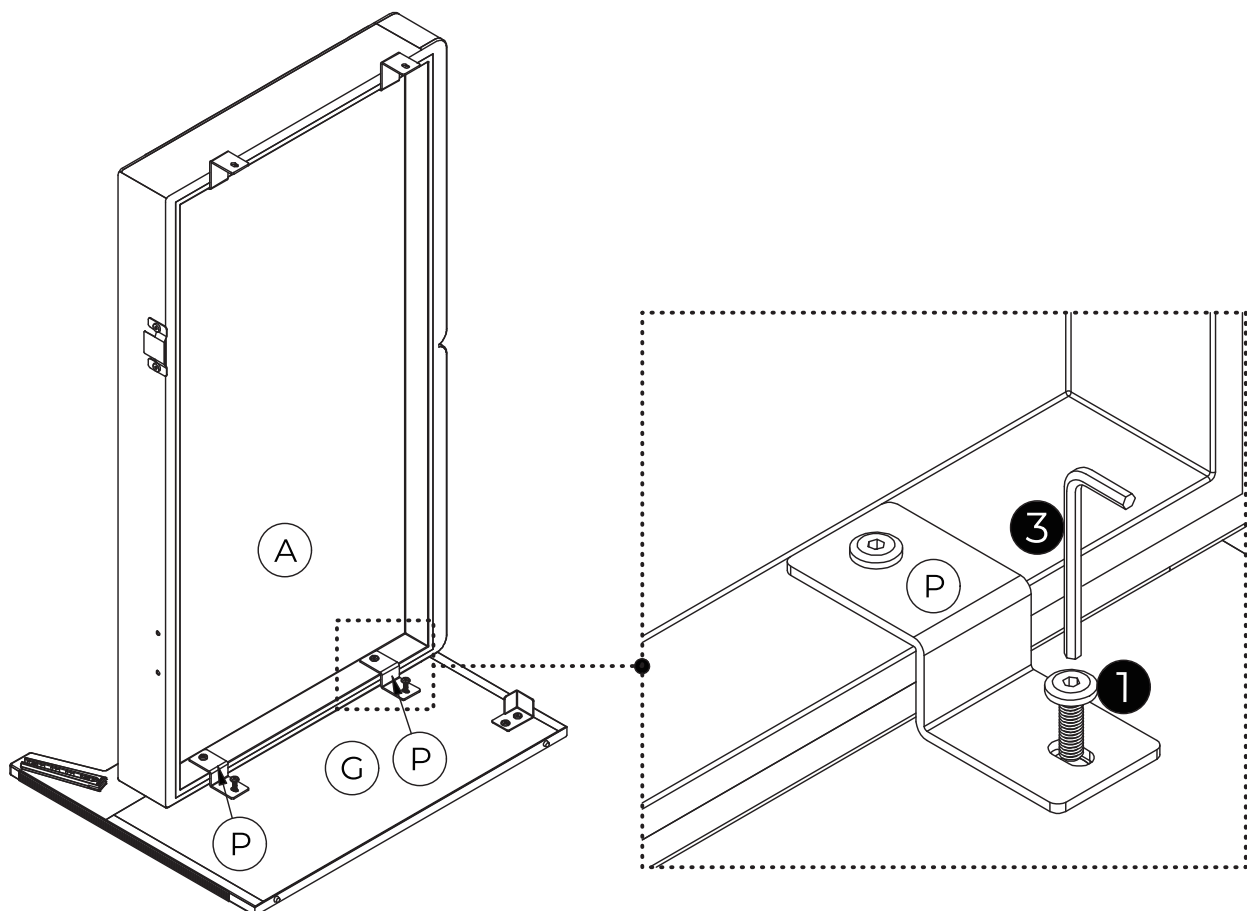
## Step 25

Attach Left Bracket **Q** to the Right two holes of Chaise **C** with Bolt **1**, as shown.



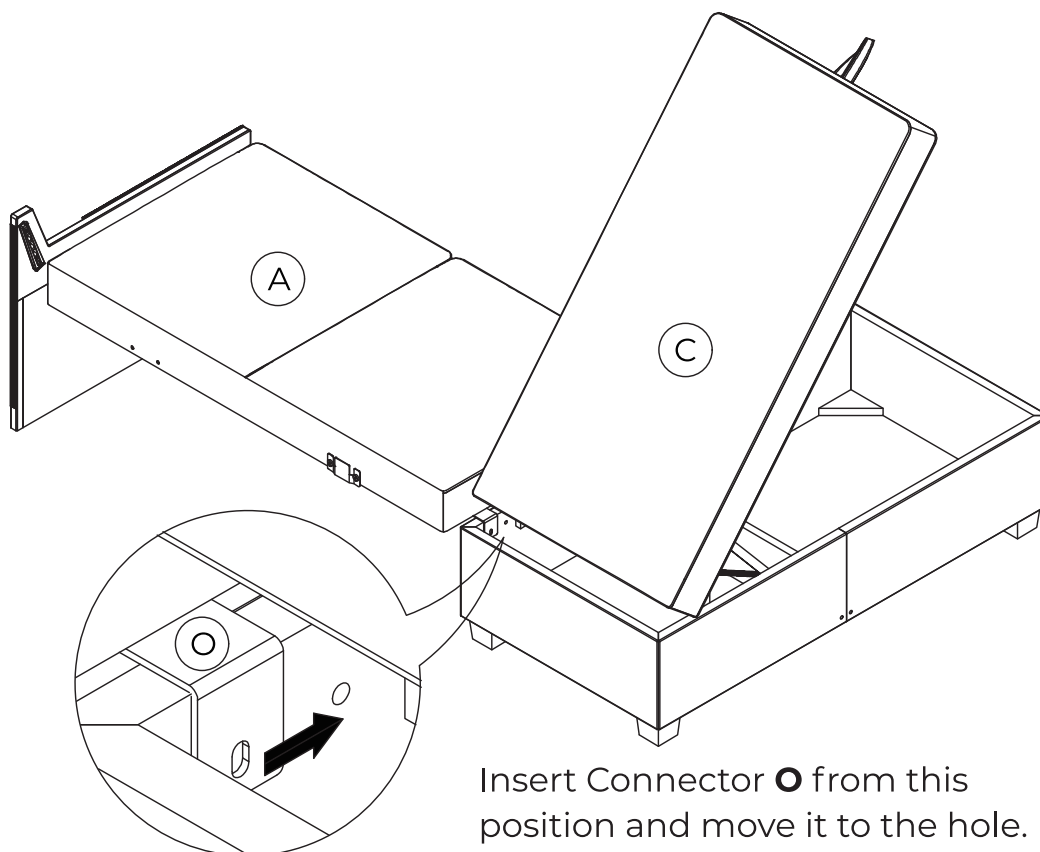
## Step 26

Attach Double Seat **A** to Right Armrest **G** using Connectors **P** x 2 with Bolt **1**, as shown.



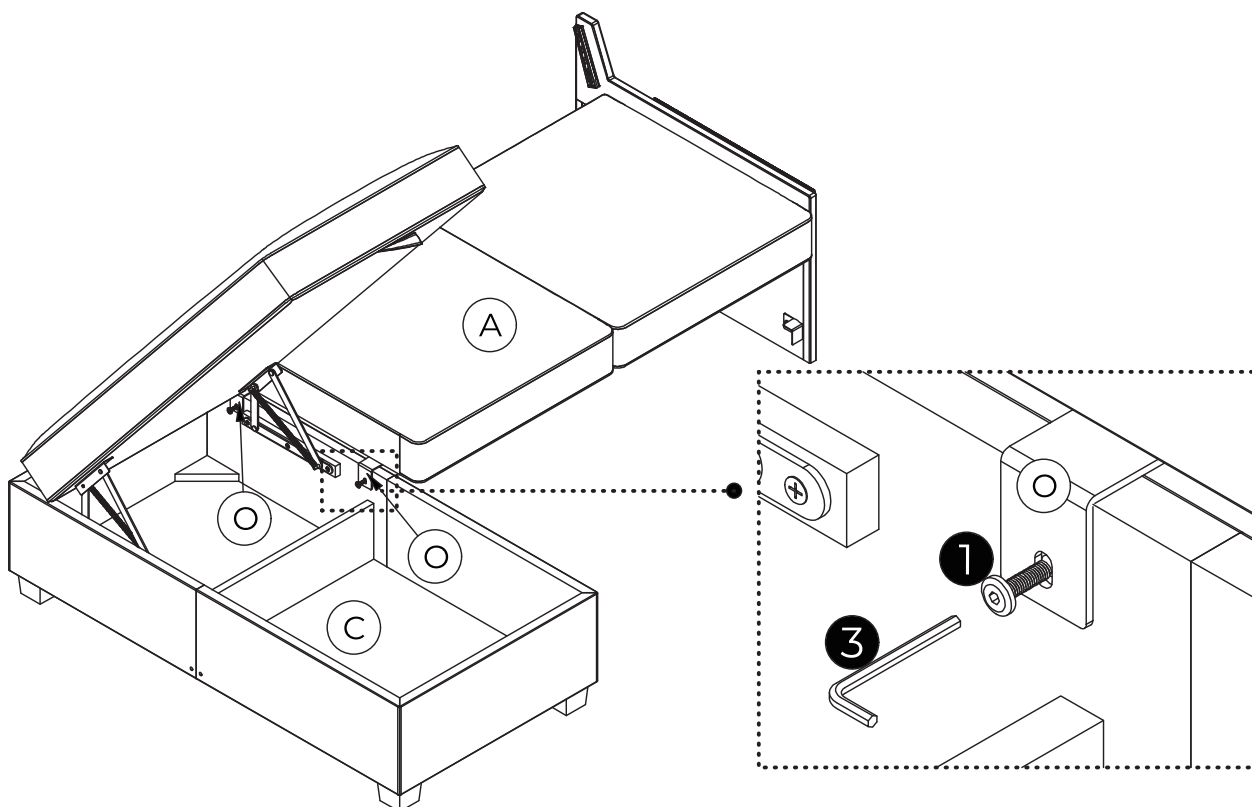
## Step 27

Attach Double Seat **A** to Chaise **C** using Connectors **O** x 2, as shown.



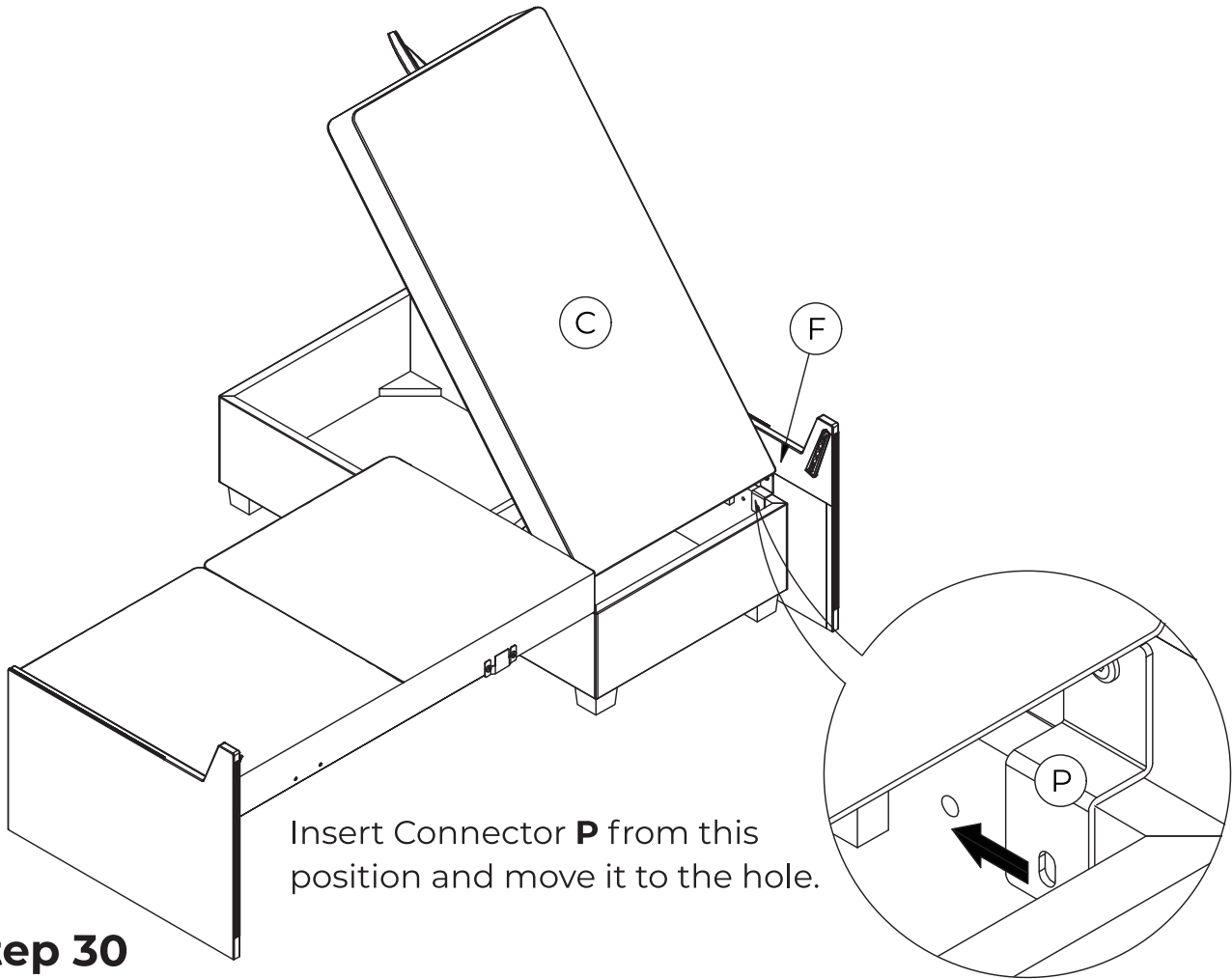
## Step 28

Attach Connectors **O** x 2 to Chaise **C** with Bolt **1**, as shown.



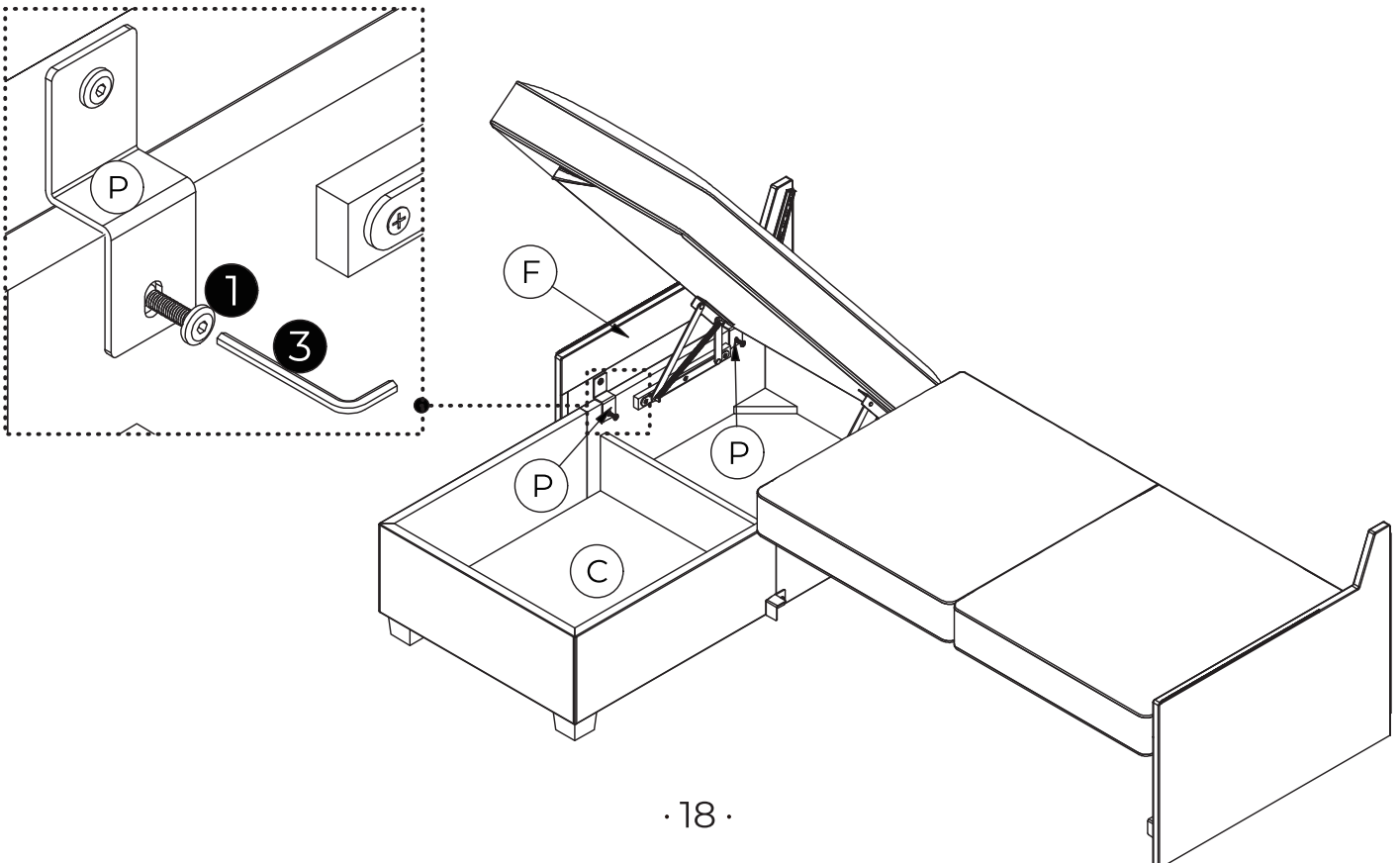
## Step 29

Attach Left Armrest **F** to Chaise **C** using Connectors **P** x 2, as shown.



## Step 30

Attach Connectors **P** x 2 to Chaise **C** with Bolt **1**, as shown.

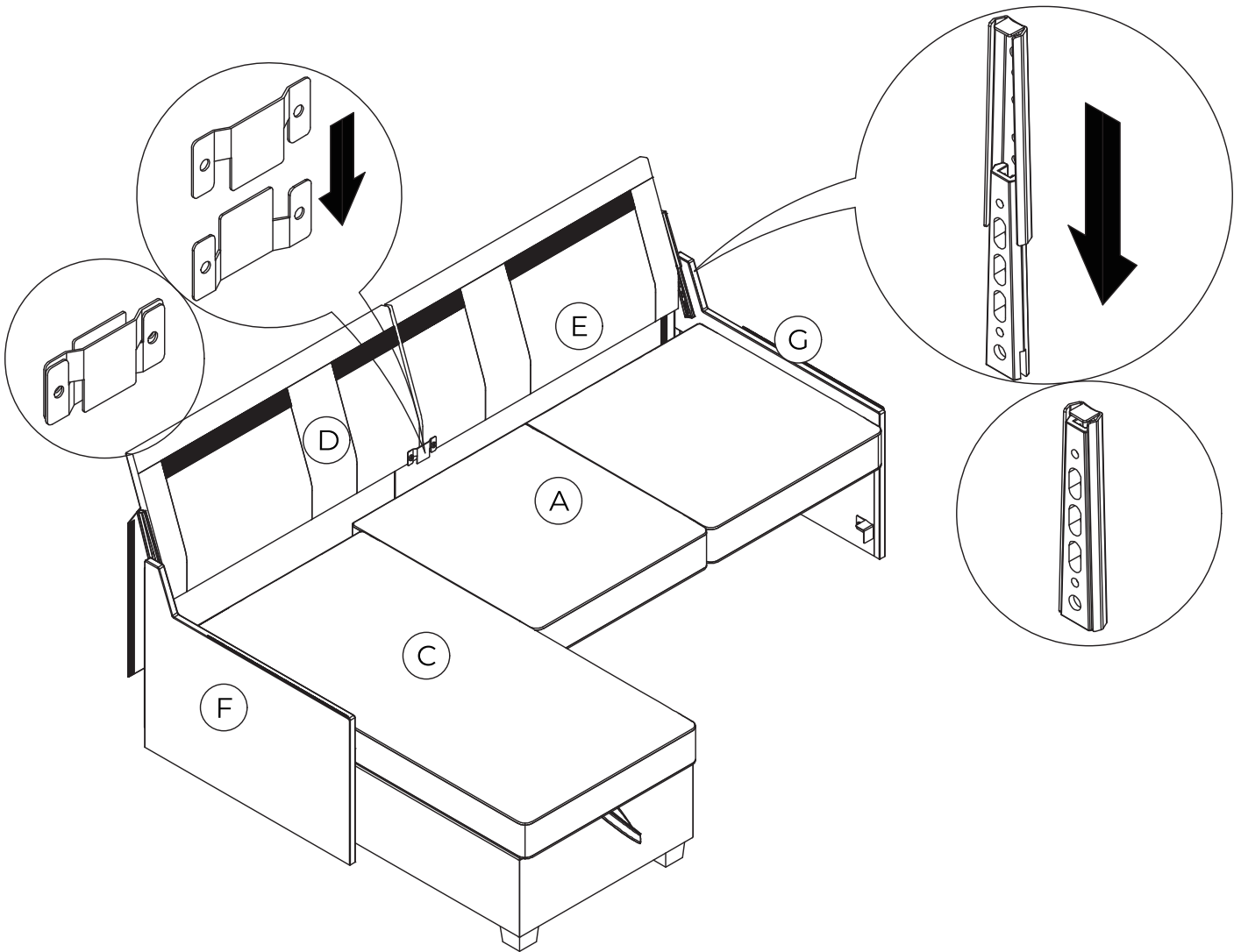


## Step 31

Attach Backs **D** & **E** to Armrests **F** & **G** by inserting the brackets on Backs **D** & **E** to the metal glides on Armrests **F** & **G**.

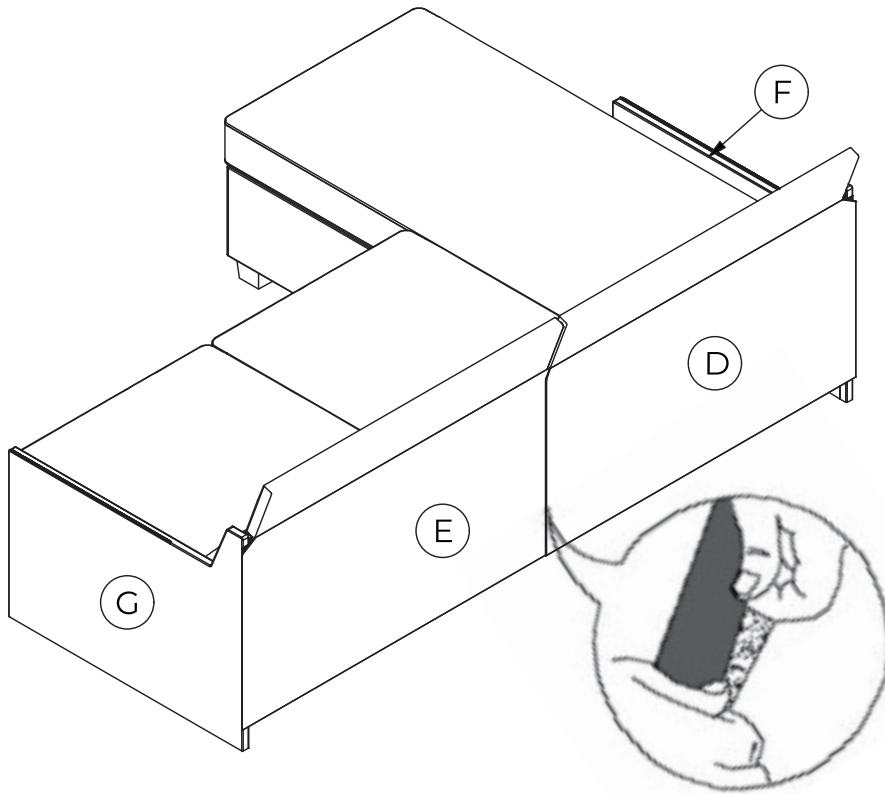
Attach Backs **D** & **E** to Double Seat **A** by inserting the Bracket **M** on Backs **D** & **E** into the Bracket **M** on Double Seat **A**.

Push Backs **D** & **E** downwards to secure it into place.



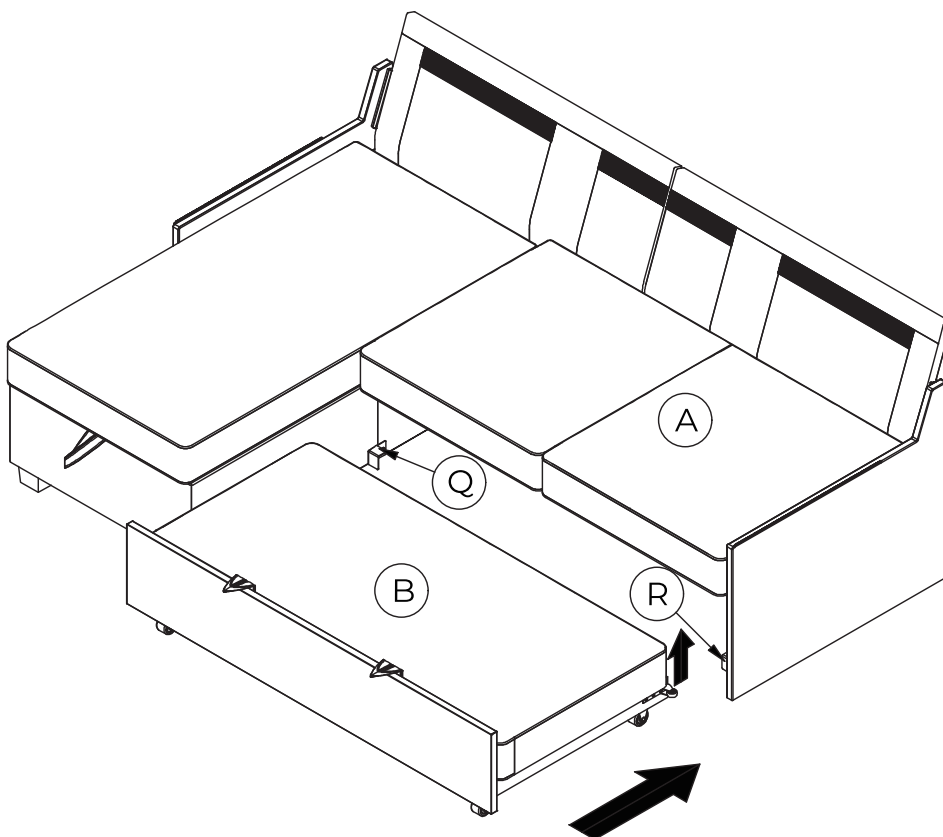
## Step 32

Stick fabric cover on Backs **D** & **E** to Armrests **F** & **G** with the hook and loop fastener. Stick fabric cover on Left Back Frame **D** to Right Back Frame **E** with the hook and loop fastener, as shown.



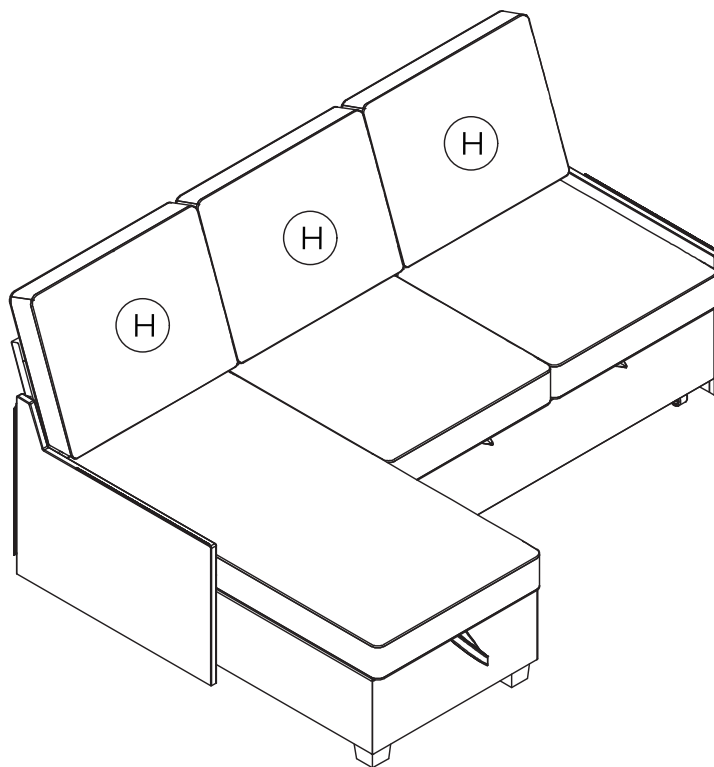
### Step 33

Lift the end of Pullout Seat **B**, then move Pullout Seat **B** into Double Seat **A** using Bracket **Q** & **R**, as shown.



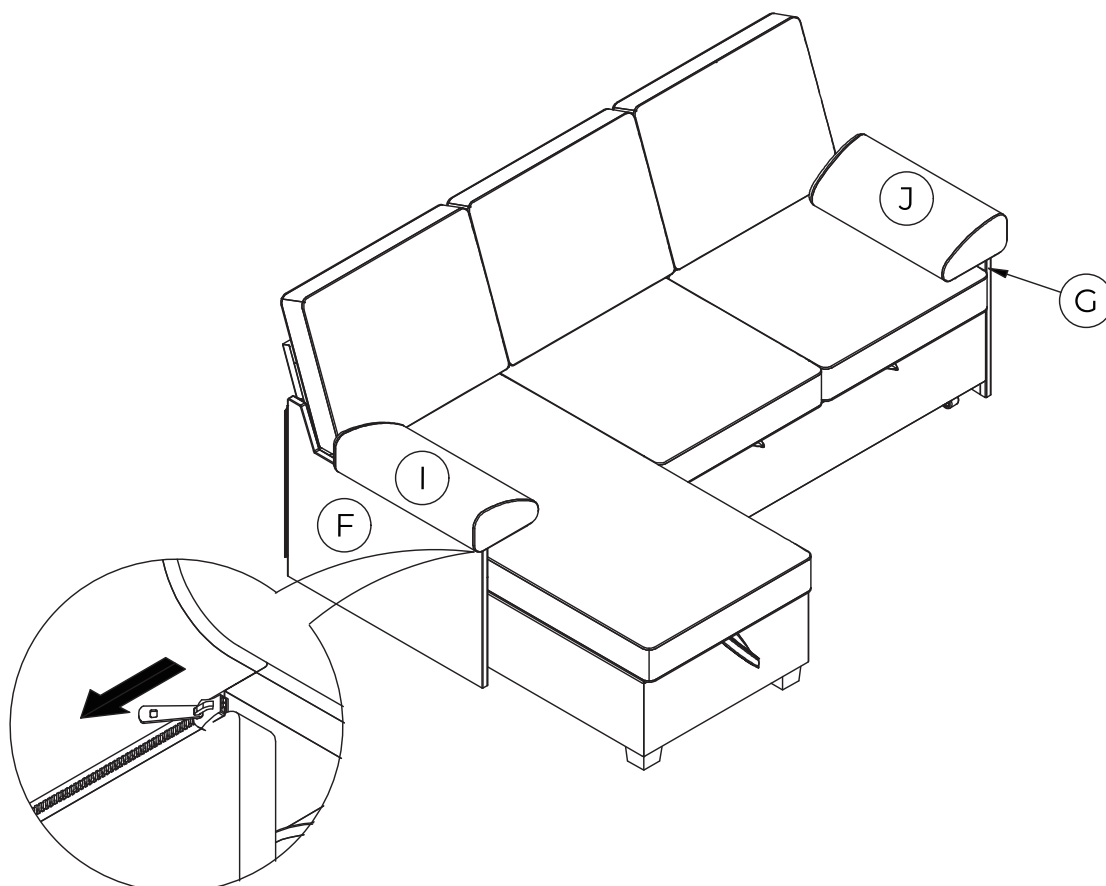
## Step 34

Place Back cushions **H** x 3 onto the sofa with the hook and loop fastener



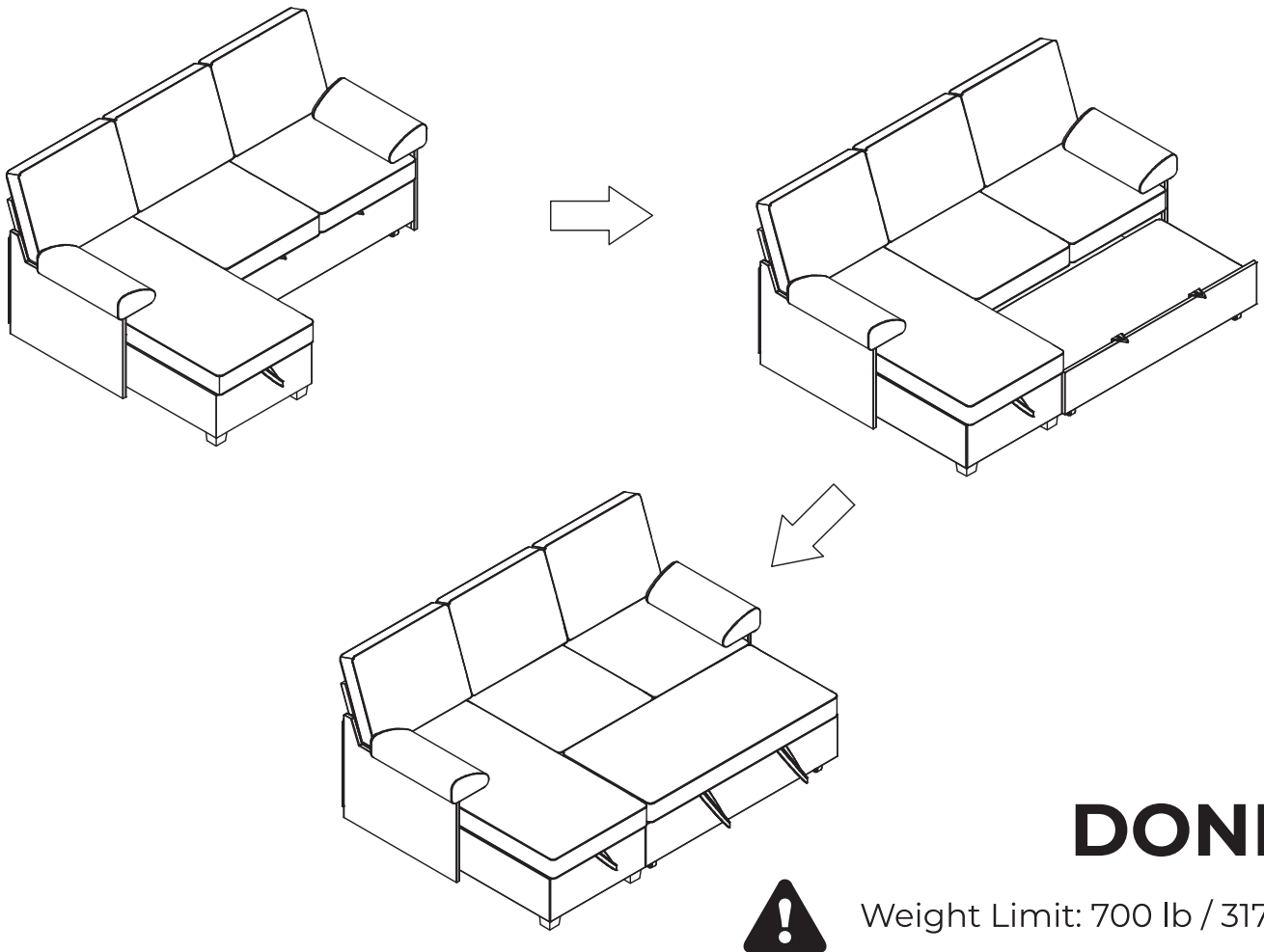
## Step 35

Attach Pillows **I** & **J** to Armrests **F** & **G** by closing the zipper, as shown.



## Step 36

Your sofa can transform into a Bed, as shown.



## Care Instructions

1. Some of the product's upholstery has been vacuum-compressed for transportation. They may take approximately 72 hours to regain their original shape.
2. When cleaning the product, use a soft cloth to gently clean it or use professional cleaning supplies. Do not use chemical agents or abrasive cleaners to wipe the product.
3. During use, do not exceed the maximum weight-bearing capacity of the product. Exceeding this limit may cause damage to the product or pose a risk of personal injury.
4. For safety reasons, do not leave infants alone on the product to prevent unnecessary harm such as suffocation.
5. If you need to move the product, do so with two or more individuals and carefully relocate it to a new area. Additionally, this product can be disassembled and reassembled if needed.