



STOP

We just wanted to thank you for allowing New Ridge Home to be a part of your home. If you love what you received, please take the time to write a review on the site you purchased from.

WAIT

If there is any issue with your purchase, please contact us using the information found below. In many cases we have a part or hardware that will fix the issue without the hassle of having to return the item. To make a parts request, please note the following in your e-mail:

SKU number on the box (starting with NR)

The part number or letter of the part on the instruction sheet

A brief description of the issue

Your name & address

If possible, please also include a picture of the issue or the product.

Send request to: kcovey@newridgehomegoods.com

HOLD ON

Don't forget to check out our website www.newridgehomegoods.com where you will find our complete line of products, assembly instructions, and more.

From our entire team, Thank You for your business, we truly appreciate it!

ASSEMBLY INSTRUCTIONS

SWIVEL BARSTOOL



Do not fully tighten all screws until assembly is complete.

NR105401-GBS-RW NR105402-GCS-RW
 NR105403-GBS-GR NR105404-GCS-GR

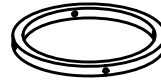
A STOOL BACK WITH SEAT **B** LEG **C** STRETCHER



1 PC



4 PCS



4 PCS

1 BOLT 1/4" * 40MM **2** SPRING WASHER **3** FLAT WASHER **4** ALLEN KEY



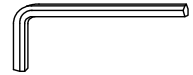
12 PCS



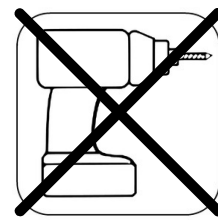
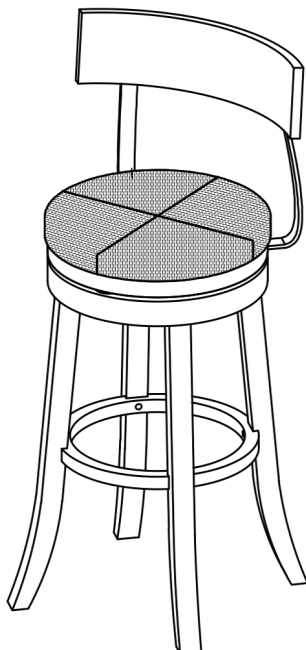
12 PCS



12 PCS



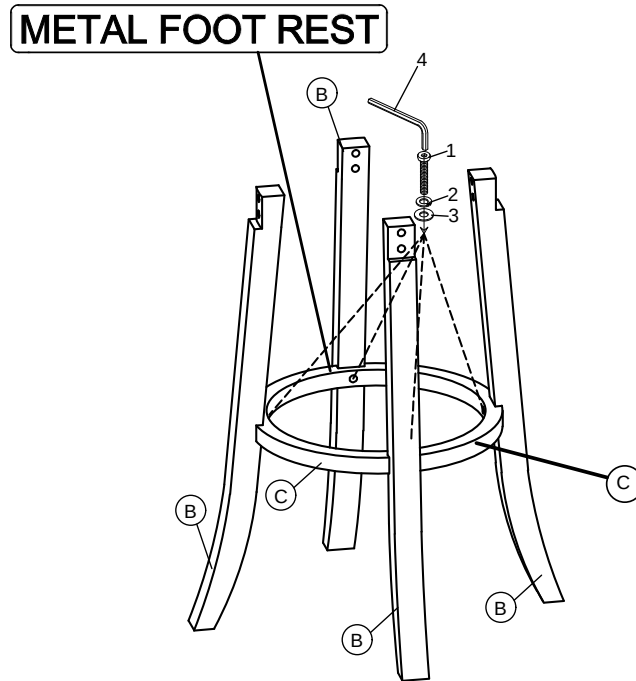
1 PC



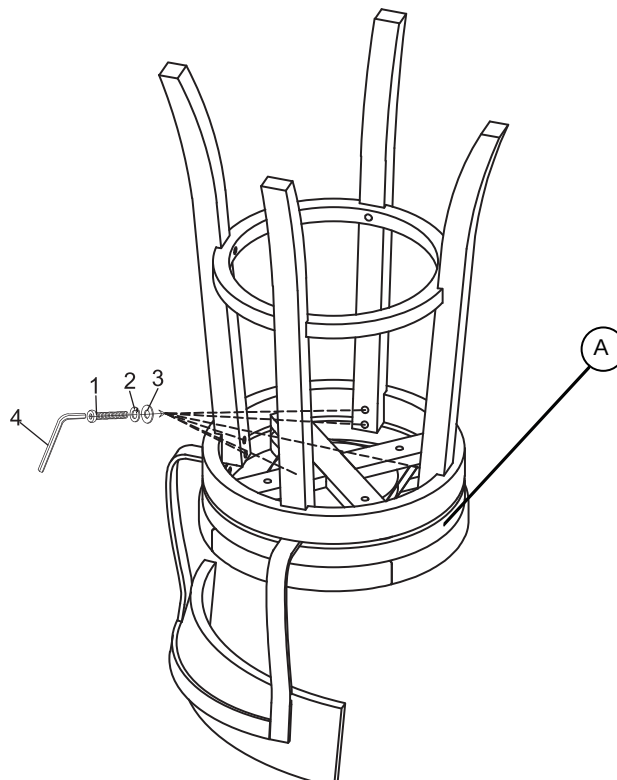
**No drills necessary.
 Do not use power
 screwdriver.**

This page lists all the contents included in the box. Please take the time to identify the hardware as well as the individual components to this product. As you unpack and prepare for assembly, place the contents on a carpeted or padded area to protect them from damage.

STEP 1 Attach the stretcher (C) to the legs (B) with bolts (1), spring washers (2), and flat washers (3) using Allen key (4).
Make sure the metal foot rest on the stretcher is facing towards the seat.
Do not fully tighten bolts until assembly is complete.



STEP 2 Insert legs (B) into the seat frame (A).
Attach legs with bolts (1), spring washers (2), and flat washers (3) using Allen key (4).
Make sure the metal foot rest on the stretcher is pointing towards the front of the stool.
Do not fully tighten bolts until assembly is complete.



STEP 3 Turn stool upright and place on flat surface.
Then fully tighten all bolts from Steps 1 and 2.
Assembly is complete

