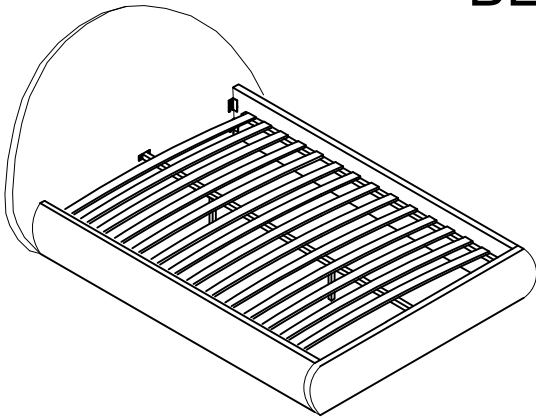


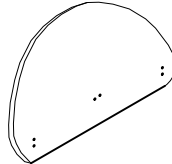
ASSEMBLY INSTRUCTIONS

BED - FULL

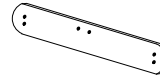


+ Parts Included

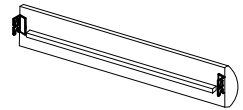
① Head Board
(1pc)



② Foot Board
(1pc)



③ Side Rails
(2pcs)



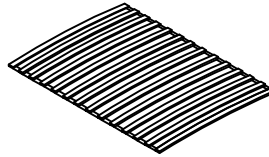
④ Center Support
Bar(1pc)



⑤ Support
Legs(2pcs)

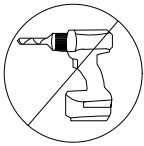


⑥ Slats joint
(1set=12pcs)

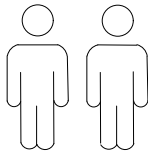


*Slats come packed
in the bottom of
headboard carton.

+ Do Not Use
Power Tools



+ Suggested
Adults



NOTE :

- 1 Read instructions cover to cover.
- 2 Save all packaging until assembly is completed.

1 IMPORTANT SAFETY INFORMATION

Do not assemble the product if any of the following parts arrived damaged:

- Part #③ -Side Rails
- Part #④ -Center Support Bar
- Part #⑤ -Support Legs
- Part #⑥ -Slats joint

2 IMPORTANT ASSEMBLY INFORMATION

Assembly Step ② Ensure the side rail bracket is fully hooked onto bolt **A** loosely threaded with both washers on the **OUTSIDE** of the bracket first, then proceed to fully tightening all 4 corners.

*Slats come packed in the bottom of headboard carton.

+ Hardware Included

A Bolt M8*40mm
(16pcs)



C Spring Washer
(8pcs)



E Flat Washer
Φ20(16pcs)



F M8 Allen Key
(1pc)



I Nut M8*13mm
(4pcs)



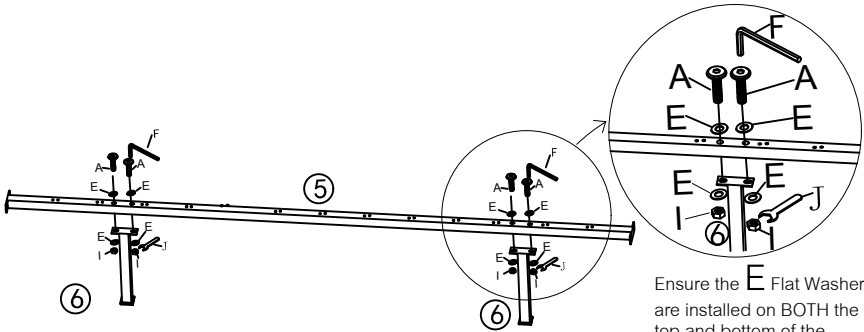
J Spanner
(1pc)



ASSEMBLY INSTRUCTIONS

BED - FULL

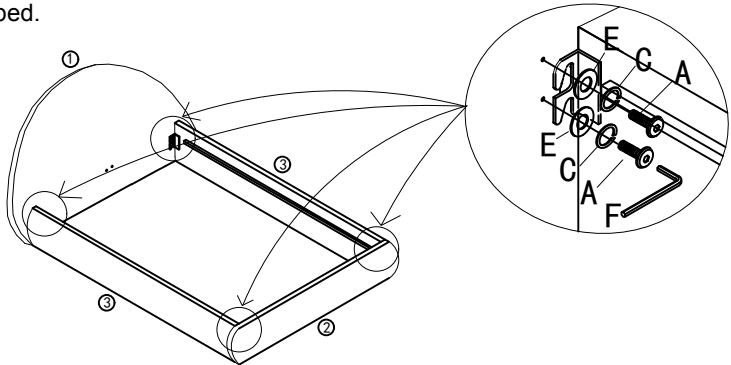
1



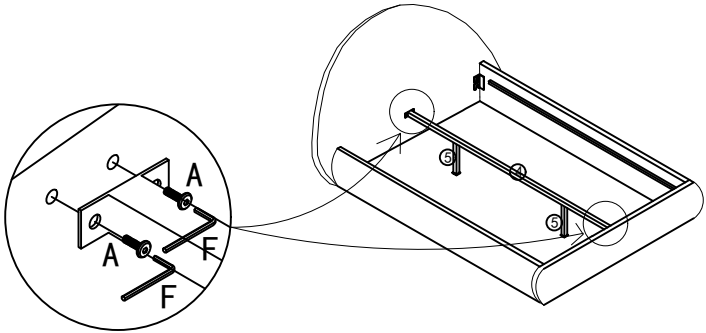
Ensure the E Flat Washers are installed on BOTH the top and bottom of the Center Support bar!

2

Repeat this step for each corner of the bed.



3



4

