

ASSEMBLY INSTRUCTION

Thank you for purchasing this quality product. Be sure to check all packing material carefully for small parts which may have come loose inside the carton during shipment. Separate, identify and count all parts and hardware. Compare with the parts list to be sure all parts are present.

IMPORTANT : PLEASE READ INSTRUCTION BEFORE STARTING THE ASSEMBLY.

"DO NOT TIGHTEN SCREWS UNTIL COMPLETELY ASSEMBLED"

"DO NOT OVERTIGHT ANY HARDWARE"

WARNING : SMALL PARTS AND HARDWARE NOT FOR CHILDREN UNDER 3 YEARS. ADULT ASSEMBLY REQUIRED.

TABLE OF CONTENTS

HARDWARES LIST	PAGE 2
PARTS LIST	PAGE 3 - 4
PARTS' LOCATION	PAGE 5
ASSEMBLY STEPS	PAGE 6 - 13
ASSEMBLY COMPLETED	PAGE 14

ASSEMBLY TOOLS REQUIRED

1. Screwdriver (not provide)



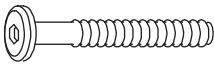

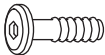




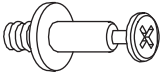





2. Hammer (not provide)



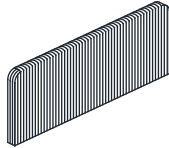
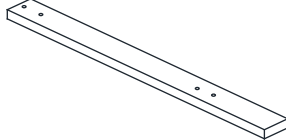
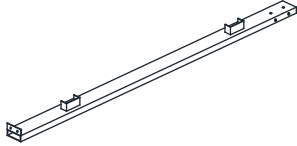
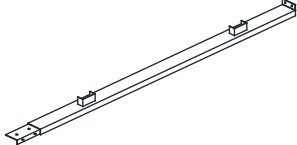
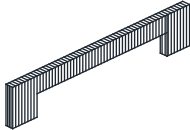
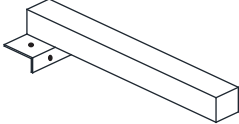
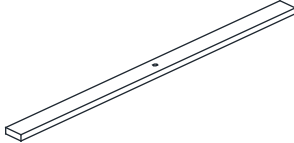
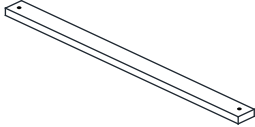
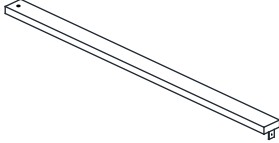

Skip the power drill this time.



HARDWARES LIST

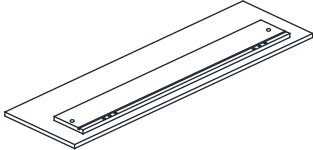
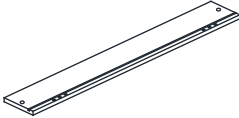
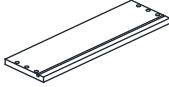

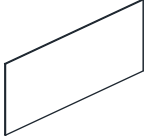



ITEM	DESCRIPTION	DRAWING	QTY
A	JCBB SCREW M8 x 50MM		4 PCS
B	JCBC SCREW M6 x 15MM		8 PCS
C	JCBC SCREW M6 x 20MM		16 PCS
D	SPRING WASHER M8 x 13MM		4 PCS
E	FLAT WASHER M8 x 22MM		4 PCS
F	WOOD DOWEL M6 x 30MM		16 PCS
G	MINIFIX CAM LOCK		8 PCS
H	MINIFIX BOLT		8 PCS
I	CSK C/B SCREW M4 x 16MM		16 PCS
J	M5 ALLEN KEY (65MM)		1 PC
K	M4 ALLEN KEY (100MM)		1 PC
L	CSK C/B SCREW M4 x 32MM		1 PC
M	SUPPORT LEG ADJUSTABLE FEET		3 PCS

PARTS LIST

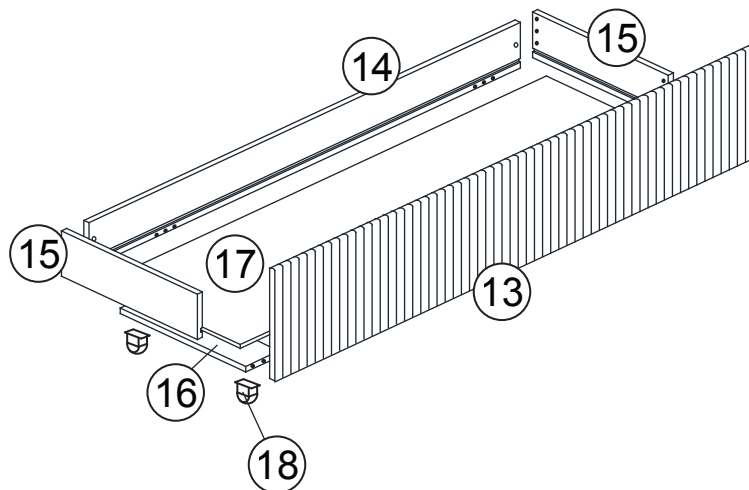
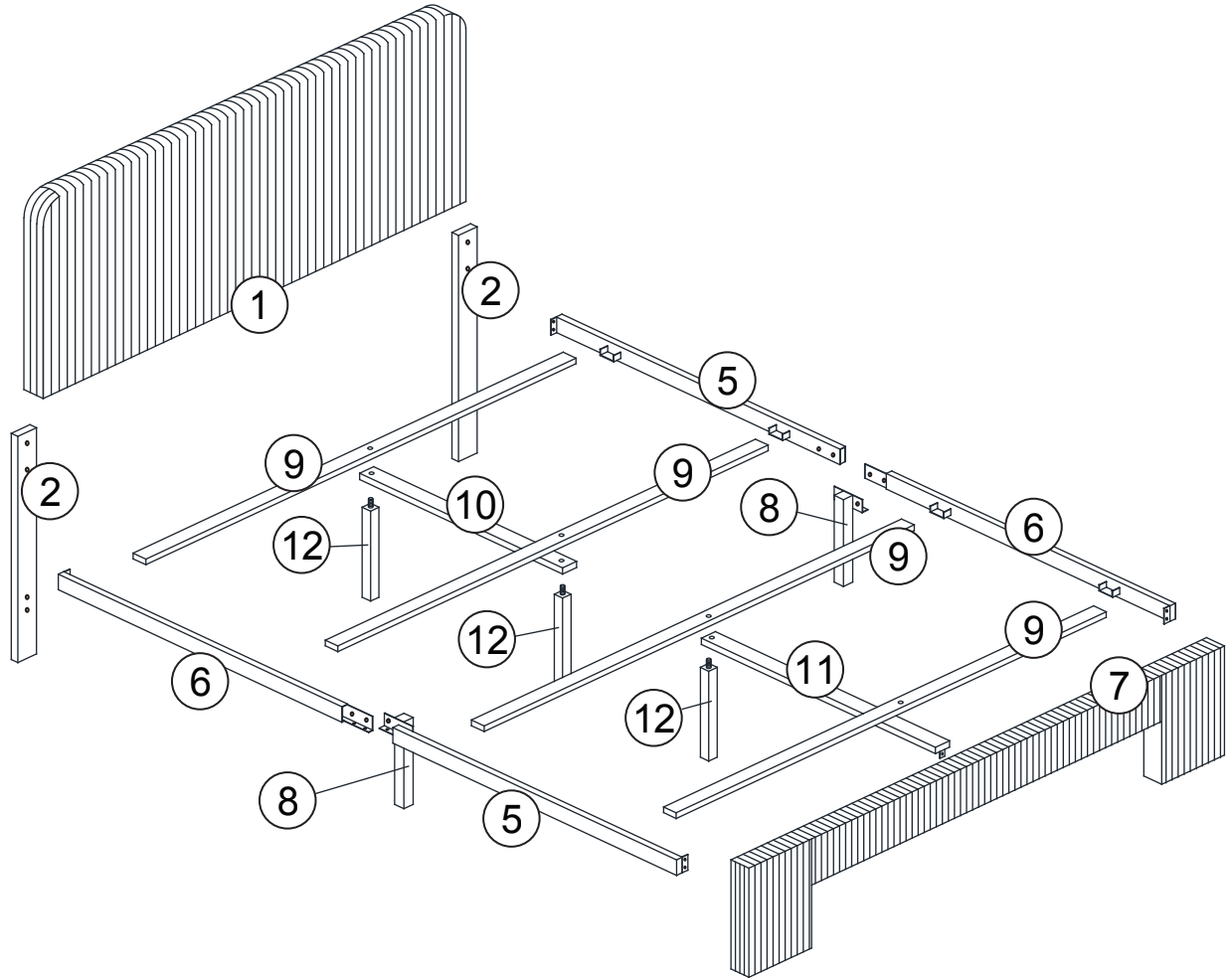
ITEM	DESCRIPTION	DRAWING	QTY
1	HEADBOARD		1 PC
2	HEADBOARD LEG		2 PCS
5	SIDE RAIL (L/R)		2 PCS
6	SIDE RAIL (L/R)		2 PCS
7	FOOTBOARD		1 PC
8	SIDE RAIL LEG		2 PCS
9	SLAT WITH NUT		4 PCS
10	CENTRA SUPPORT (SHORT)		1 PC
11	CENTRA SUPPORT (LONG)		1 PC
12	SUPPORT LEG WITH HANGER BOLT		3 PCS

MORE PARTS DETAIL IN NEXT PAGE...

PARTS LIST

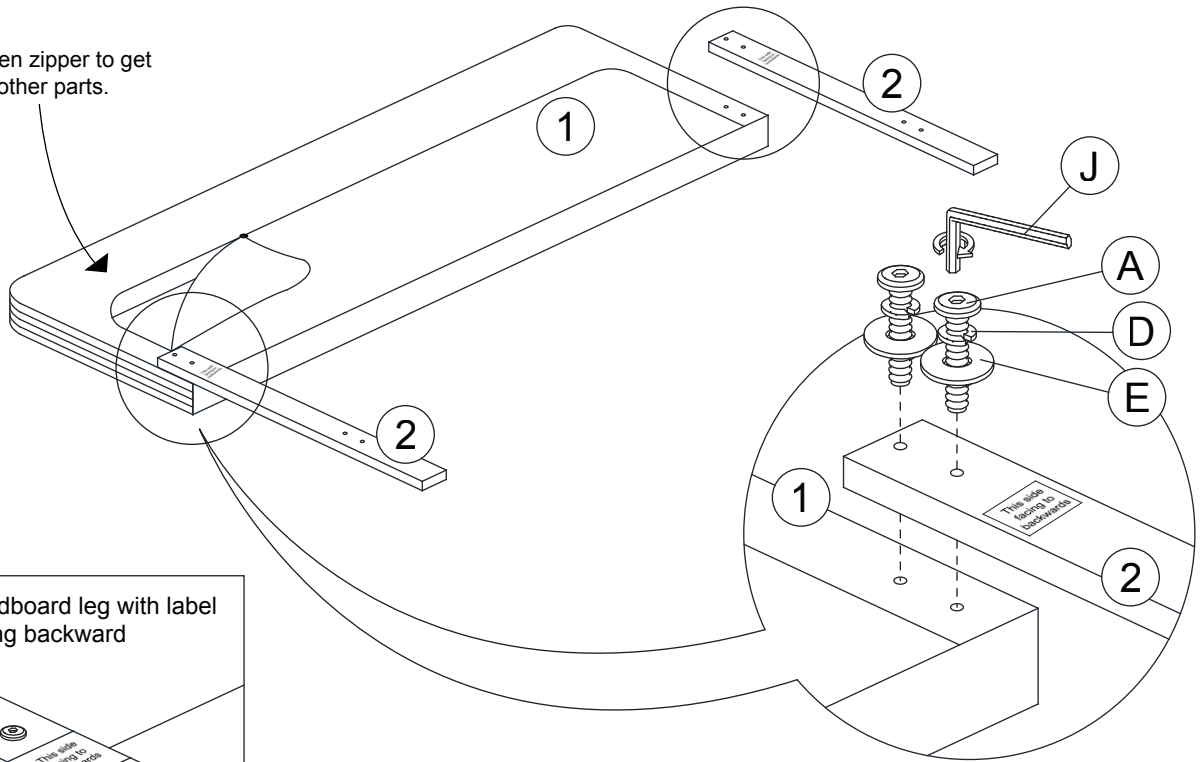
ITEM	DESCRIPTION	DRAWING	QTY
13	DRAWER FRONT PANEL		1 PC
14	DRAWER BACK PANEL		1 PC
15	DRAWER SIDE PANEL		2 PCS
16	DRAWER SUPPORT		2 PCS
17	DRAWER PANEL		1 PC
18	CASTOR		4 PCS
19	SIDE RAIL COVER		2 PCS
24	SELF - ADHESIVE VELCRO TAPE		2 PCS

PARTS ' LOCATION

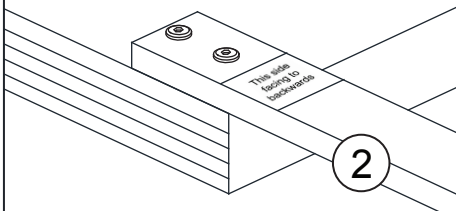


STEP 1

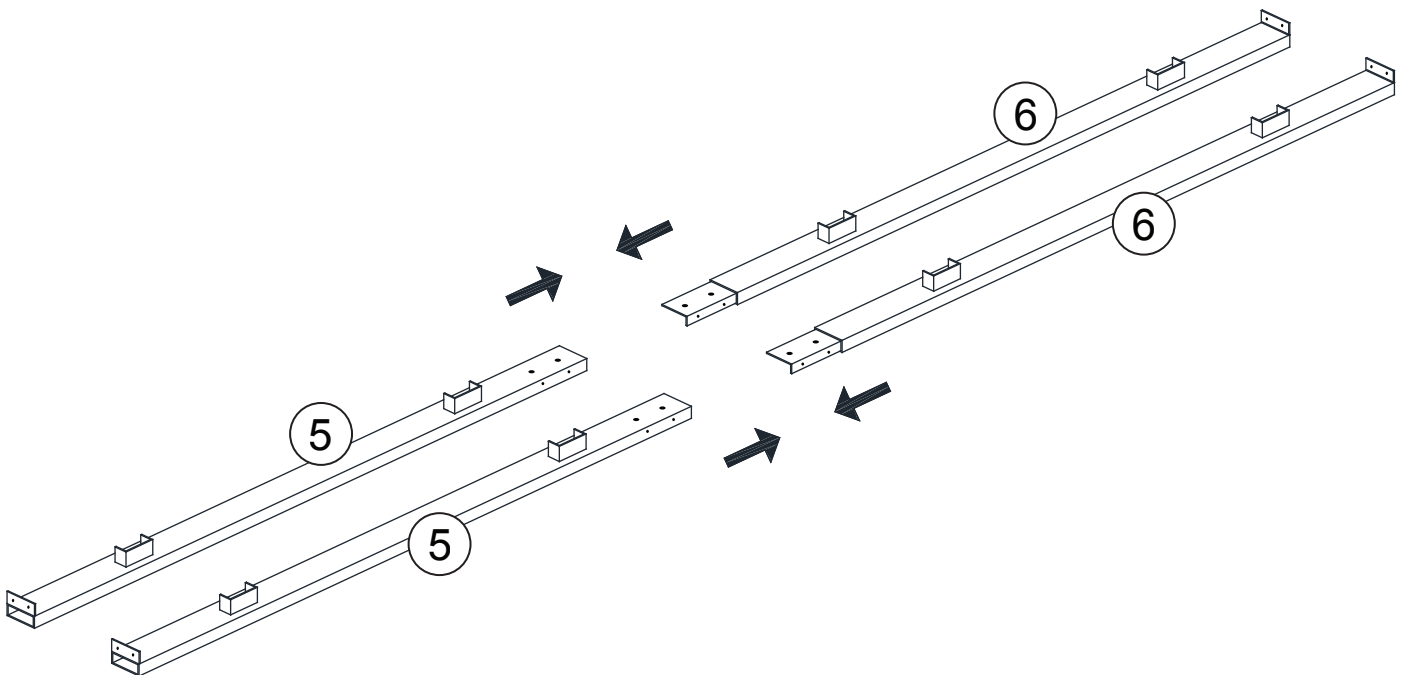
Open zipper to get all other parts.



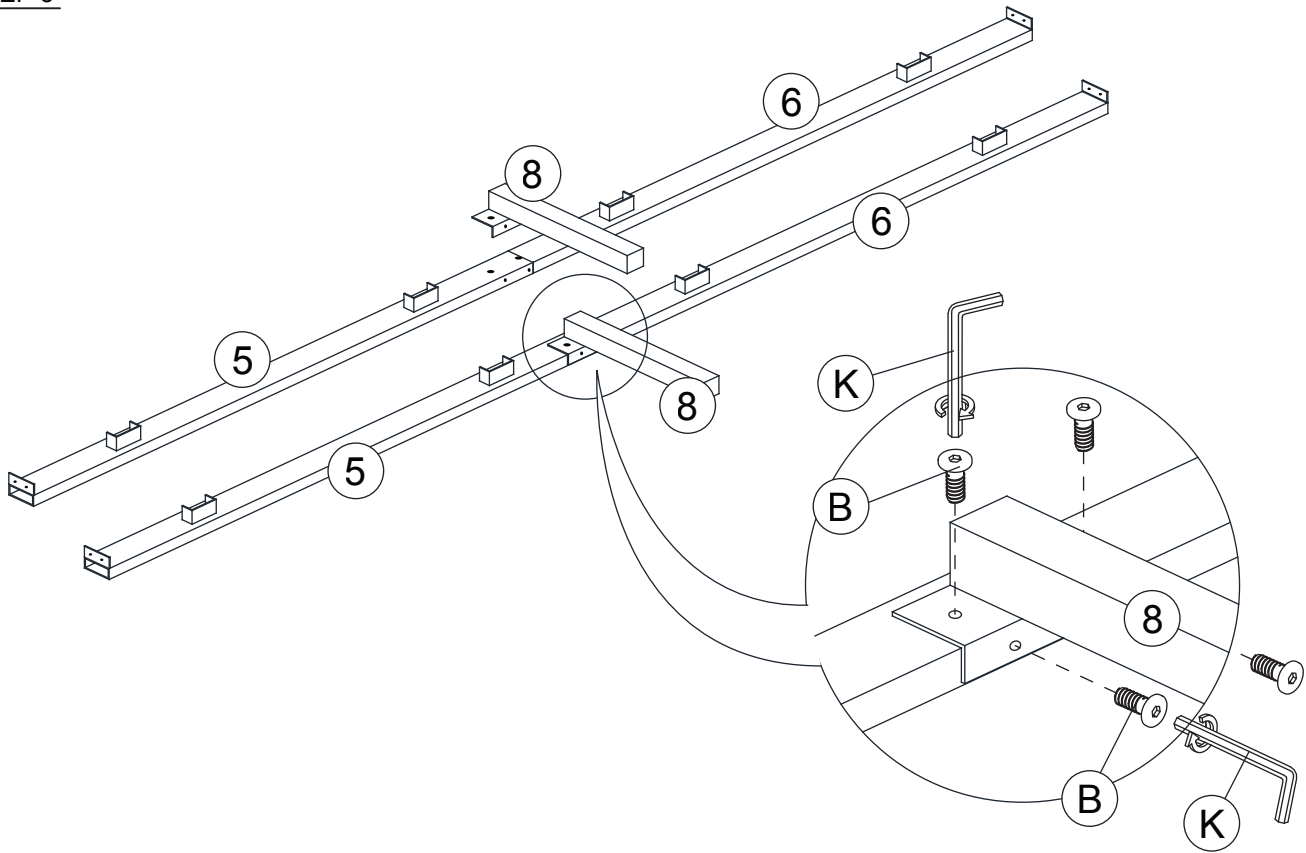
REMARK : Headboard leg with label facing backward



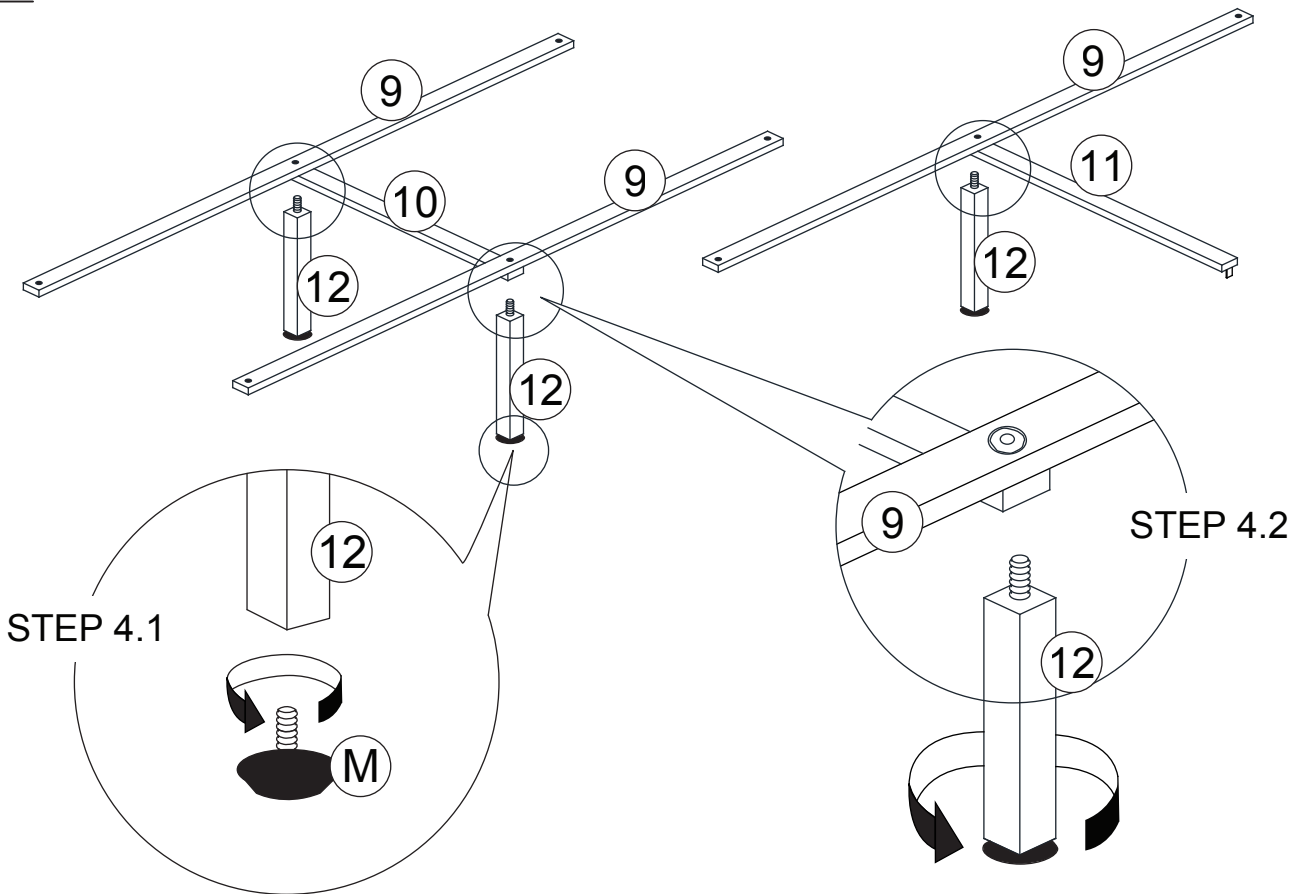
STEP 2



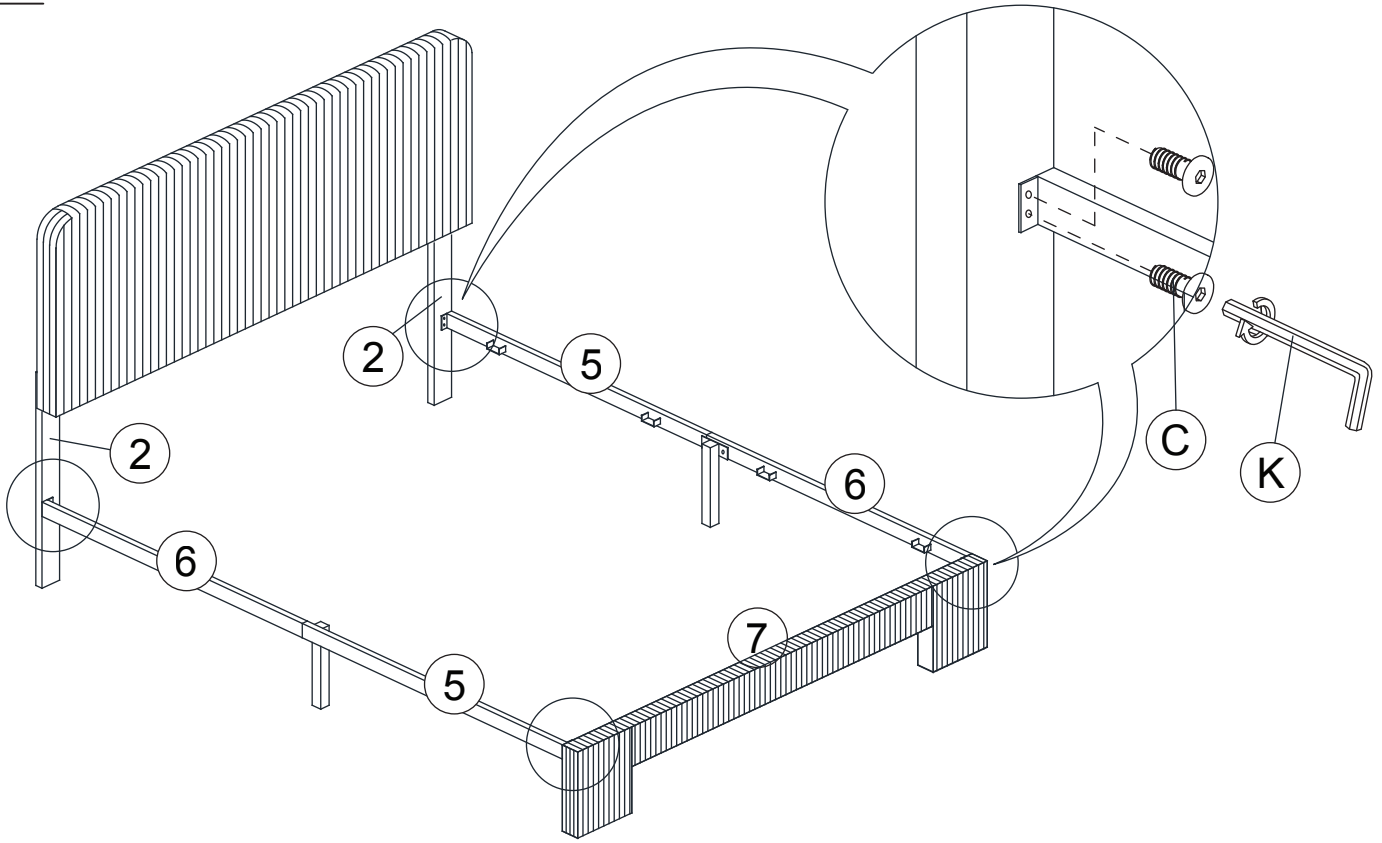
STEP 3



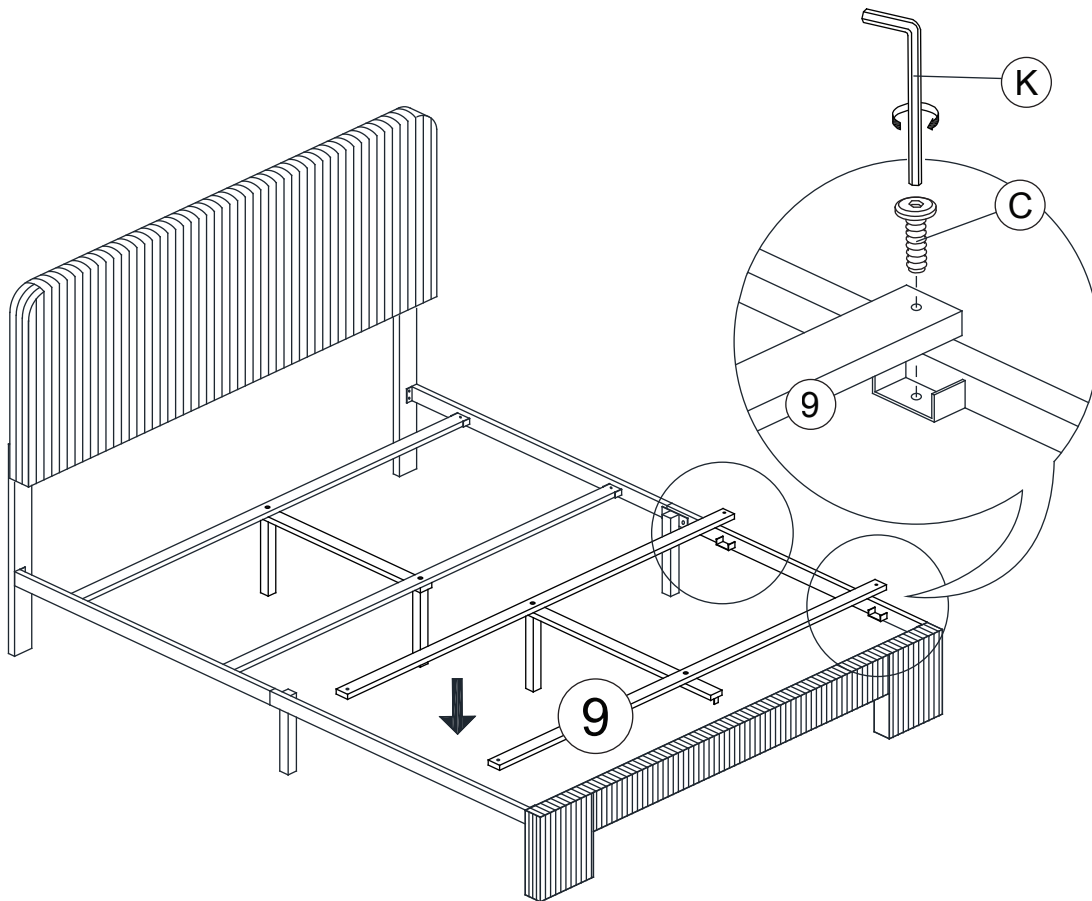
STEP 4



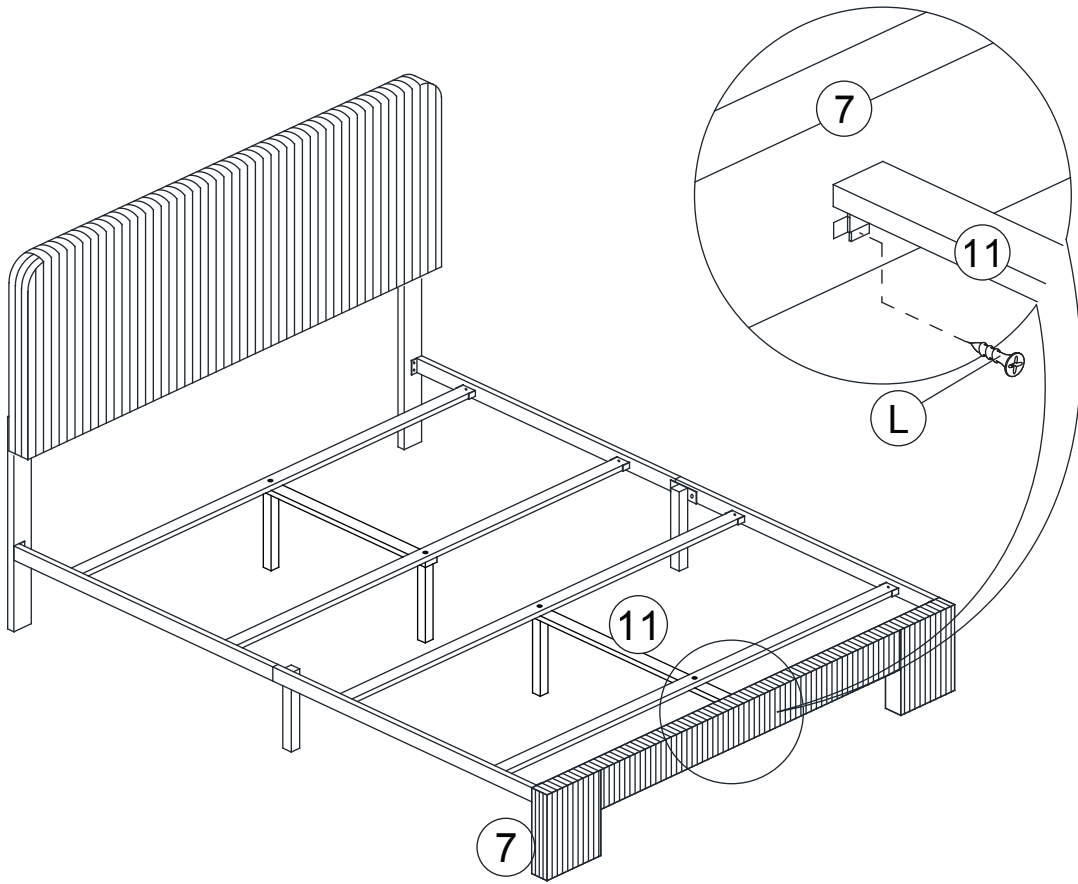
STEP 5



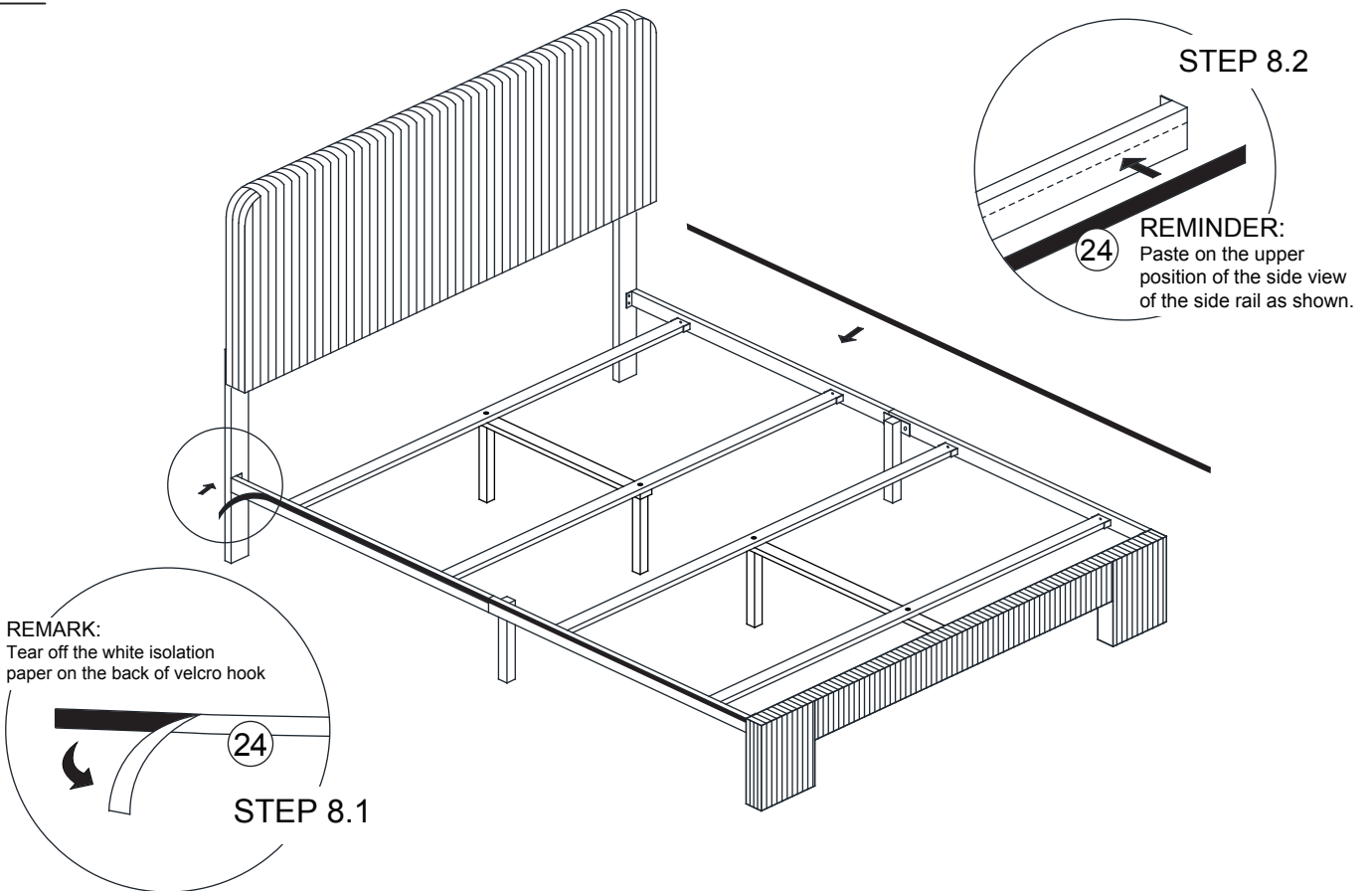
STEP 6



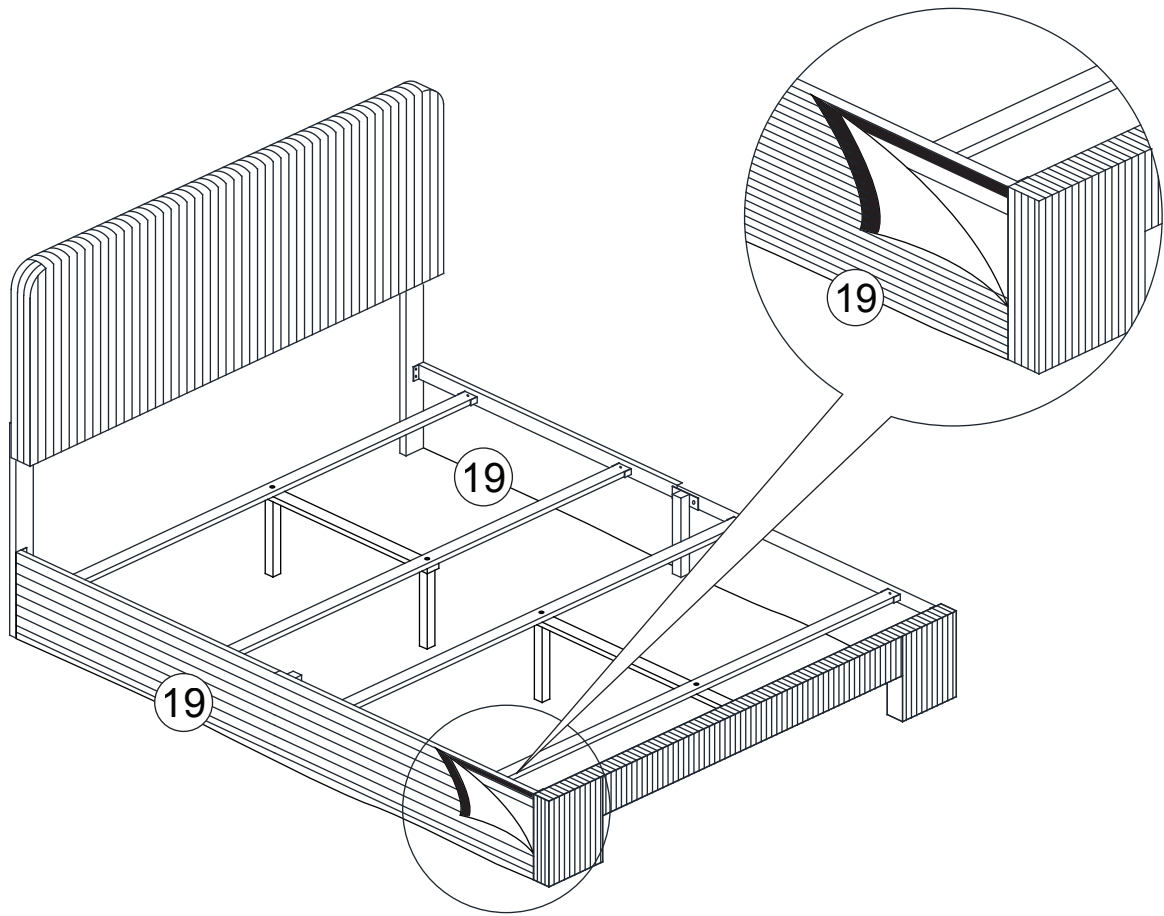
STEP 7



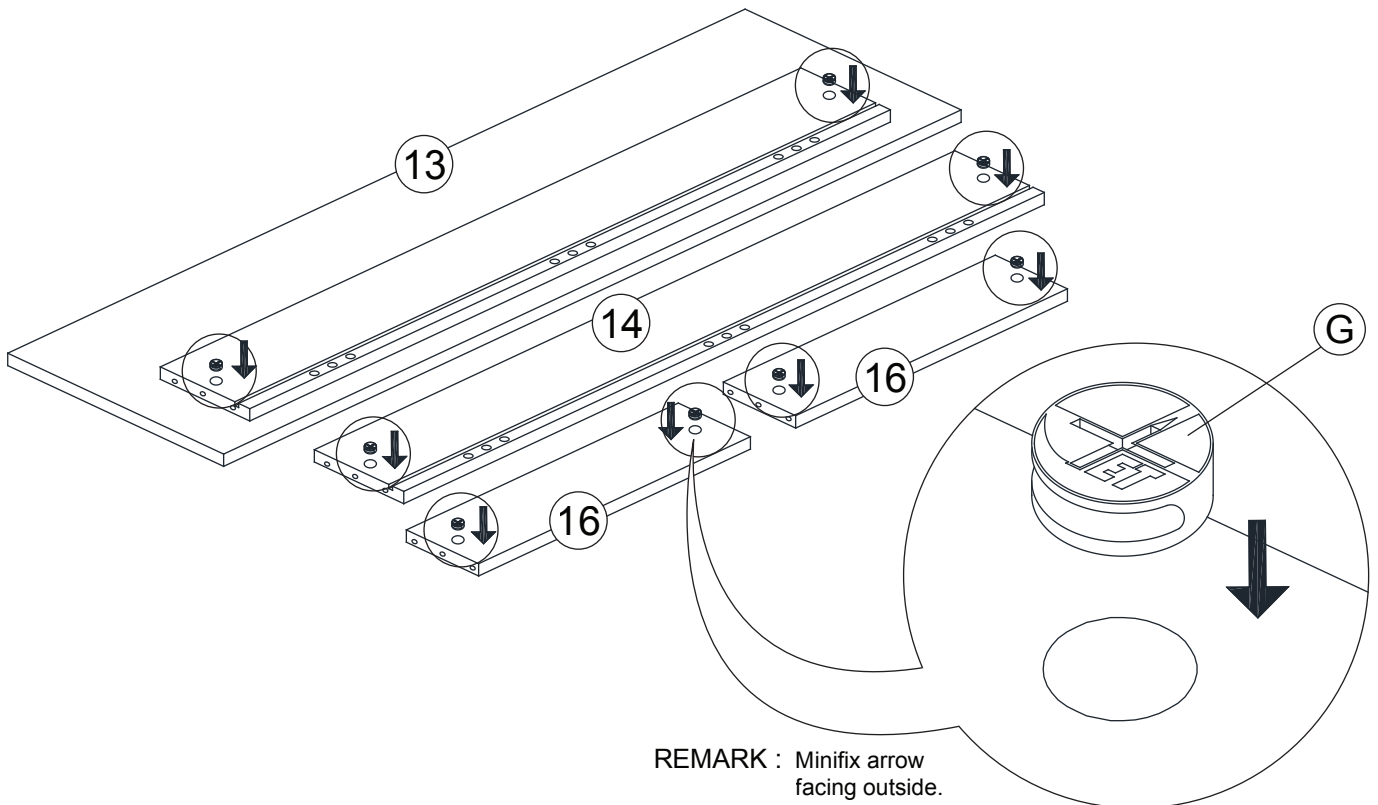
STEP 8



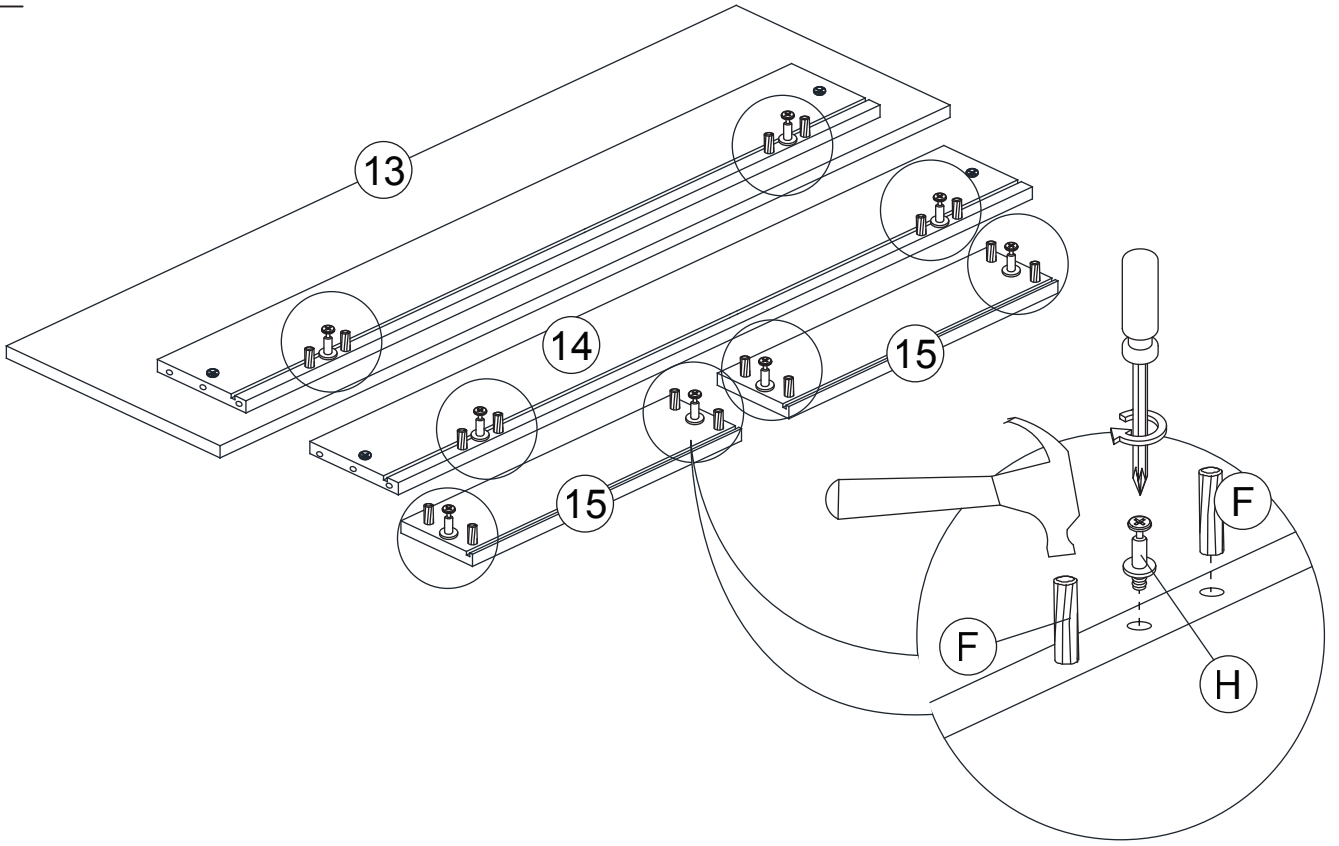
STEP 9



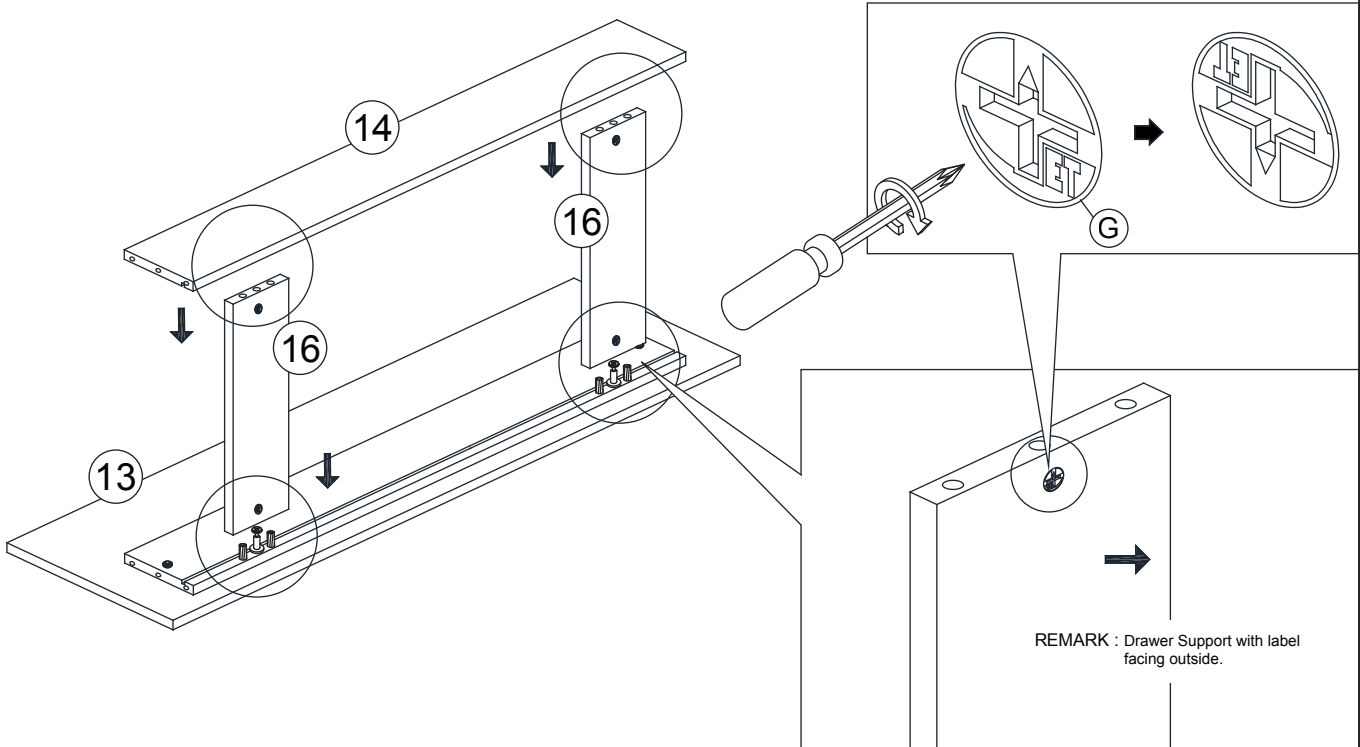
STEP 10



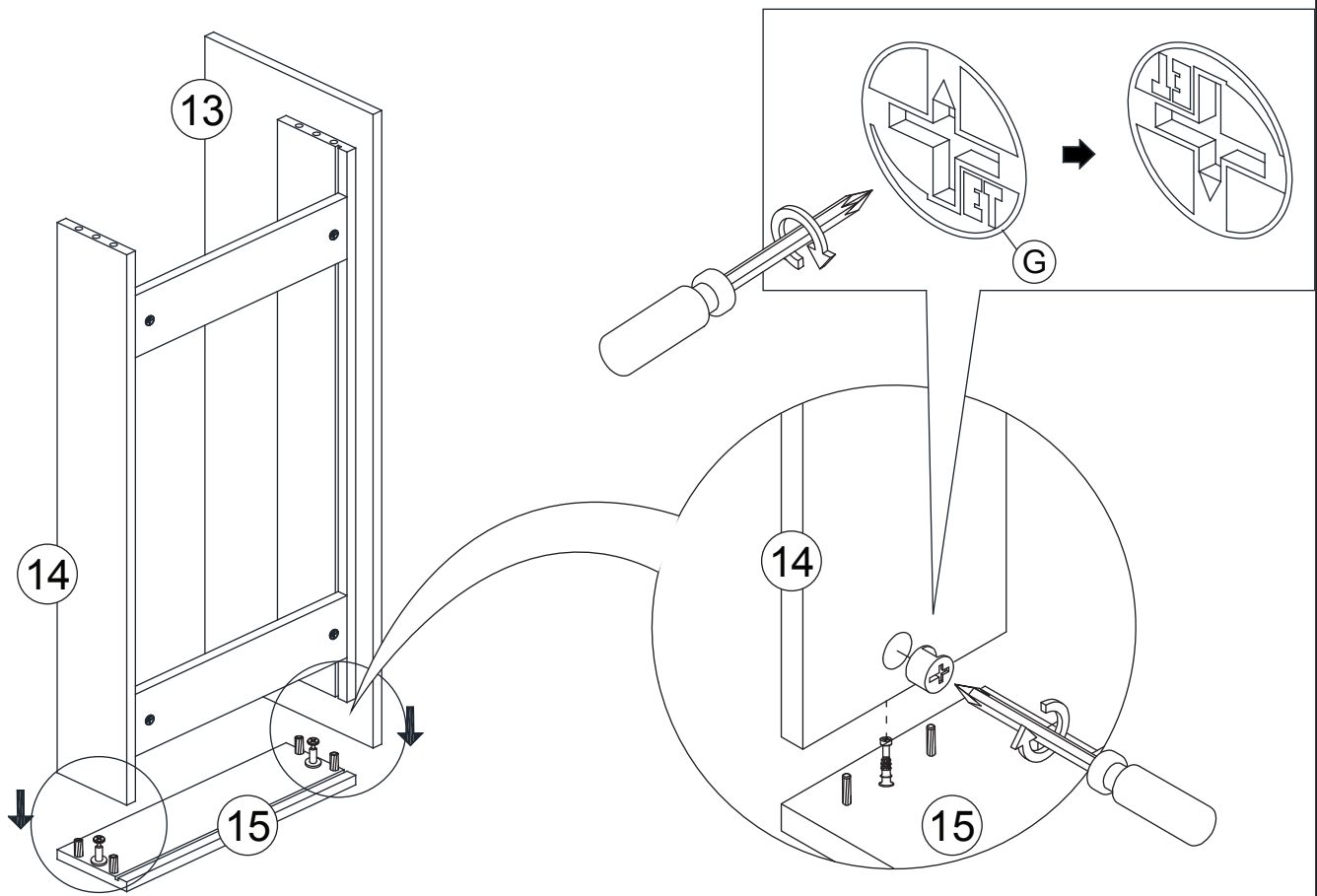
STEP 11



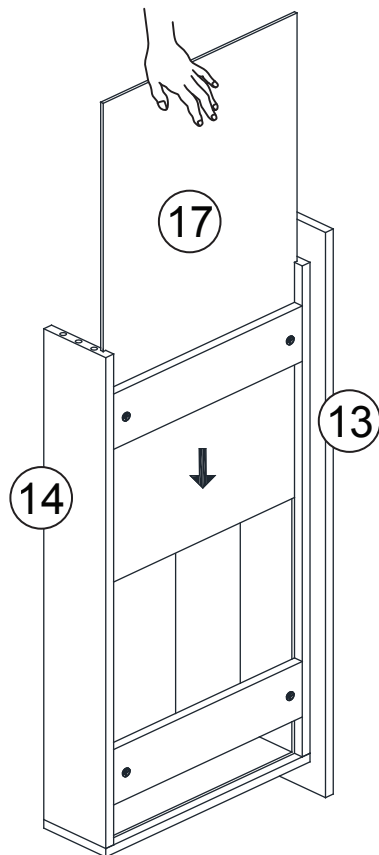
STEP 12



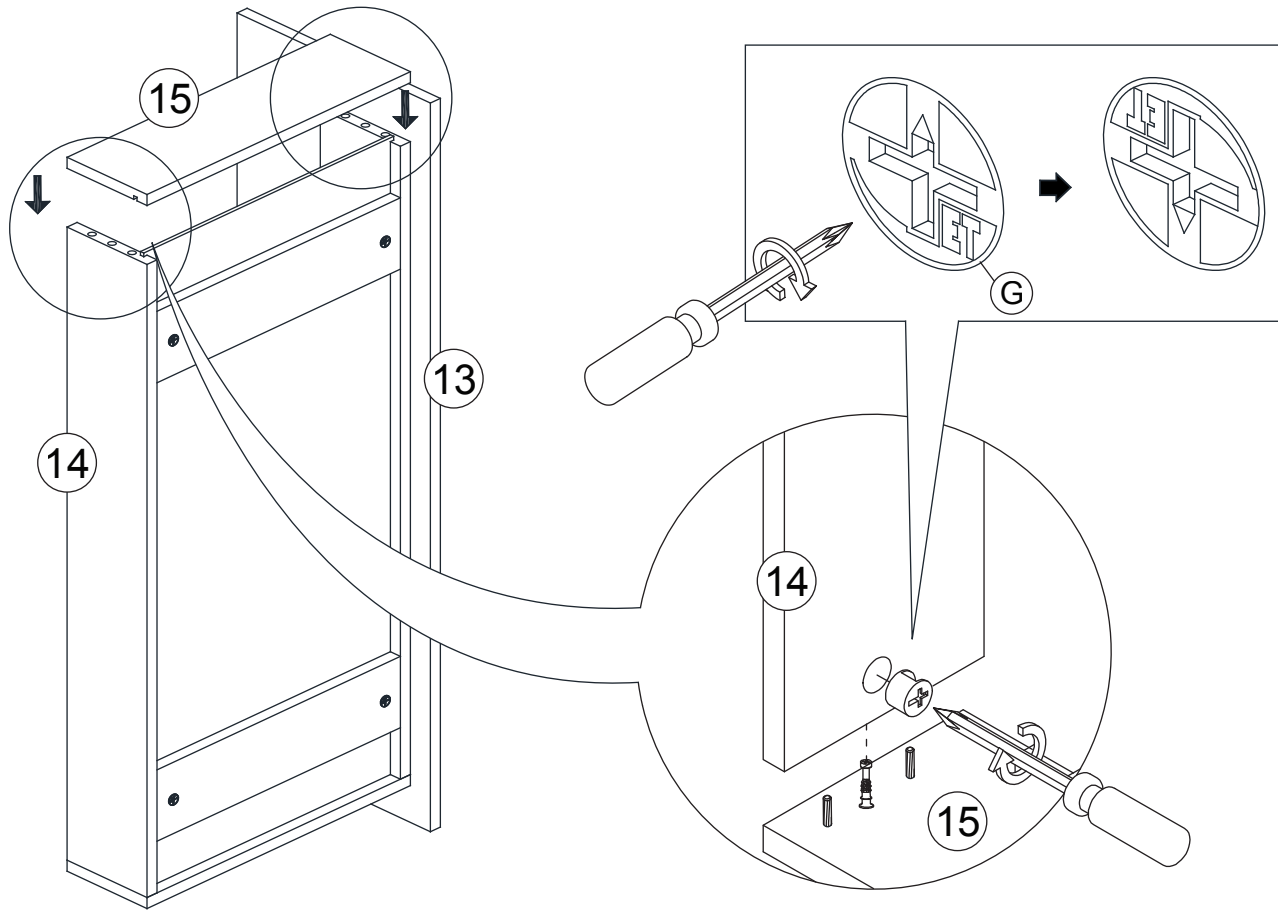
STEP 13



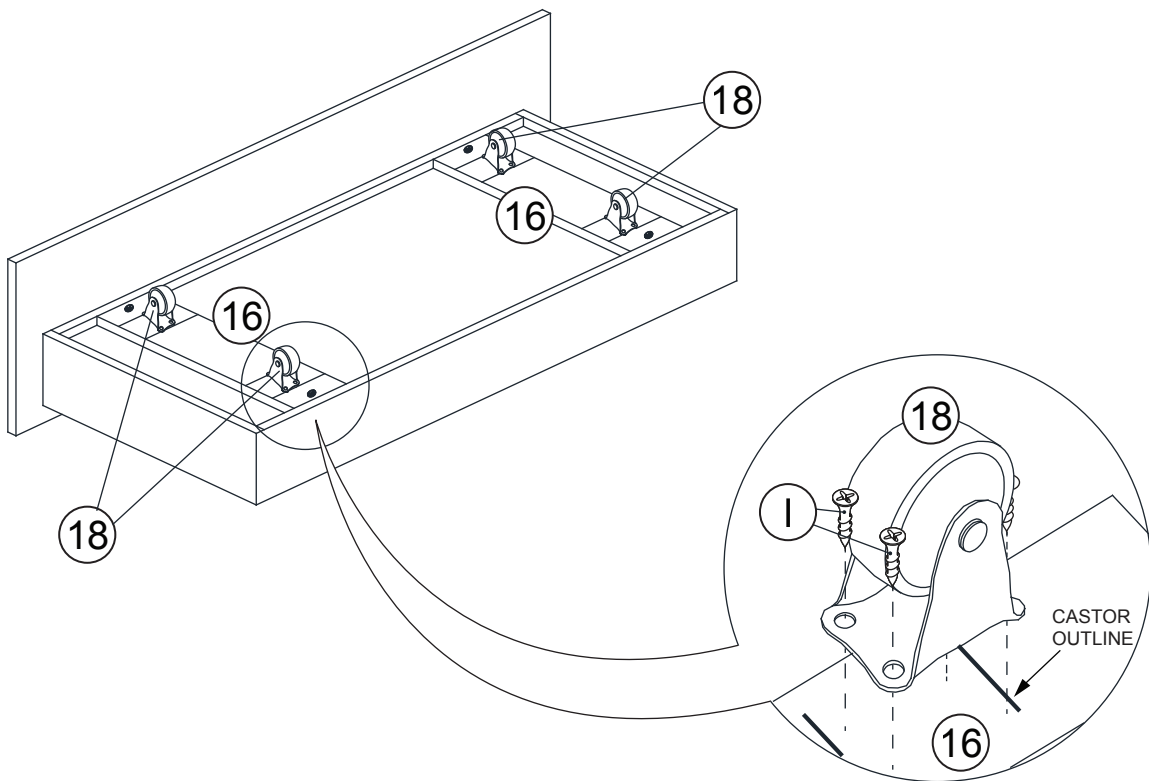
STEP 14



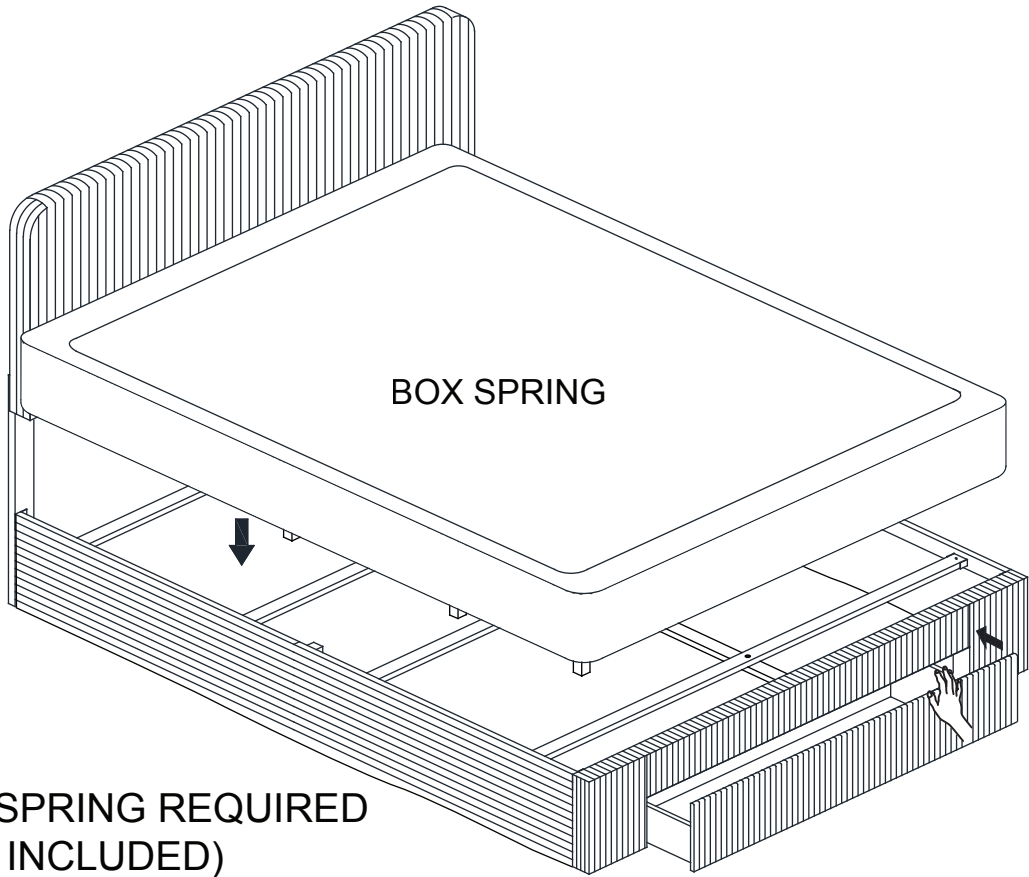
STEP 15



STEP 16

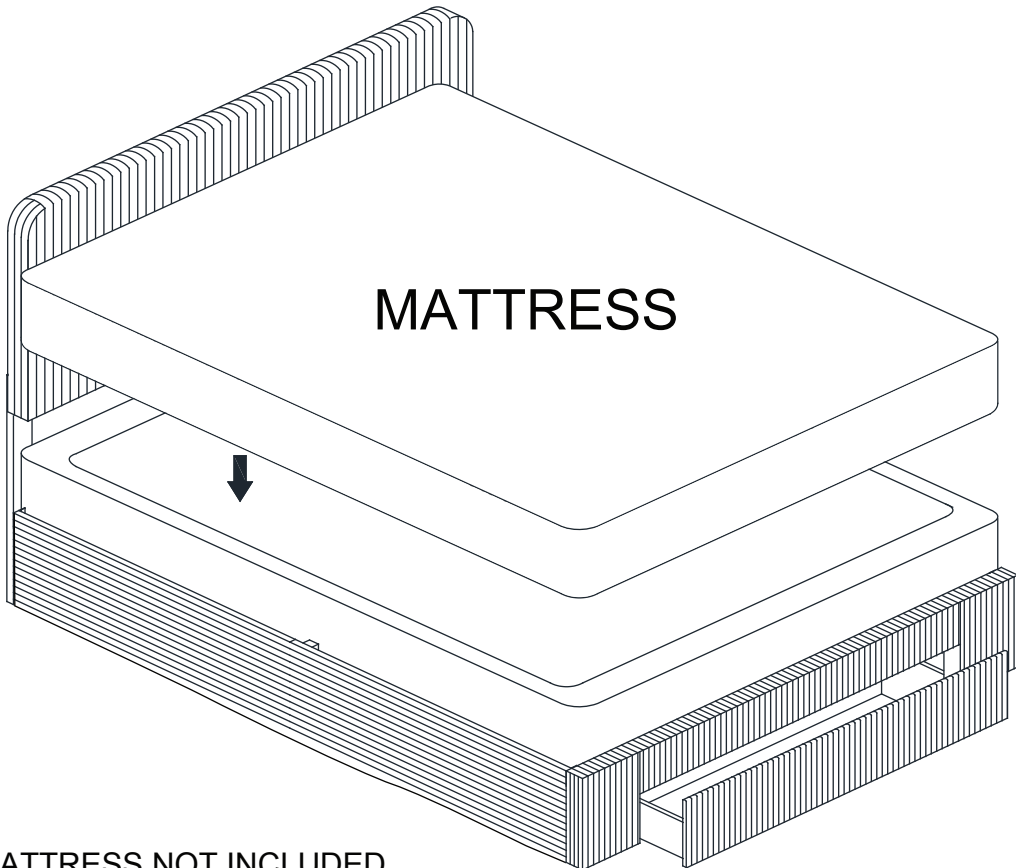


STEP 17



**BOX SPRING REQUIRED
(NOT INCLUDED)**

STEP 18



MATTRESS NOT INCLUDED

ASSEMBLY COMPLETED