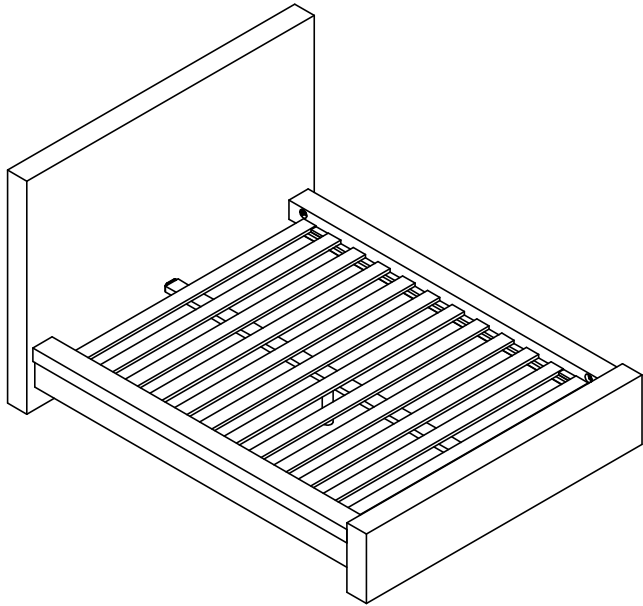






# ASSEMBLY INSTRUCTION FOR

## MODEL: QUEEN BED

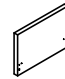
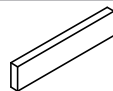




Thank you for purchasing this product. Be sure to check all packing material carefully for small Hardware which may have come loose inside the carton during shipment. Identify and count all hardware and compare with the hardware list below

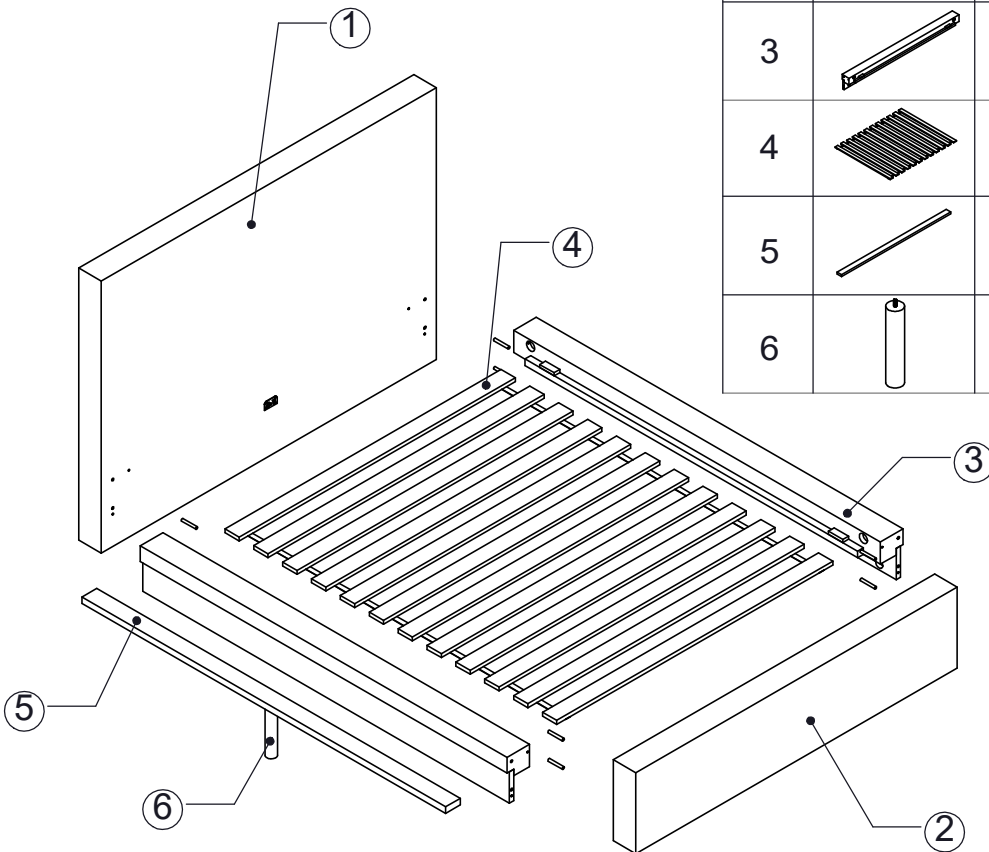


### HARDWARE LIST

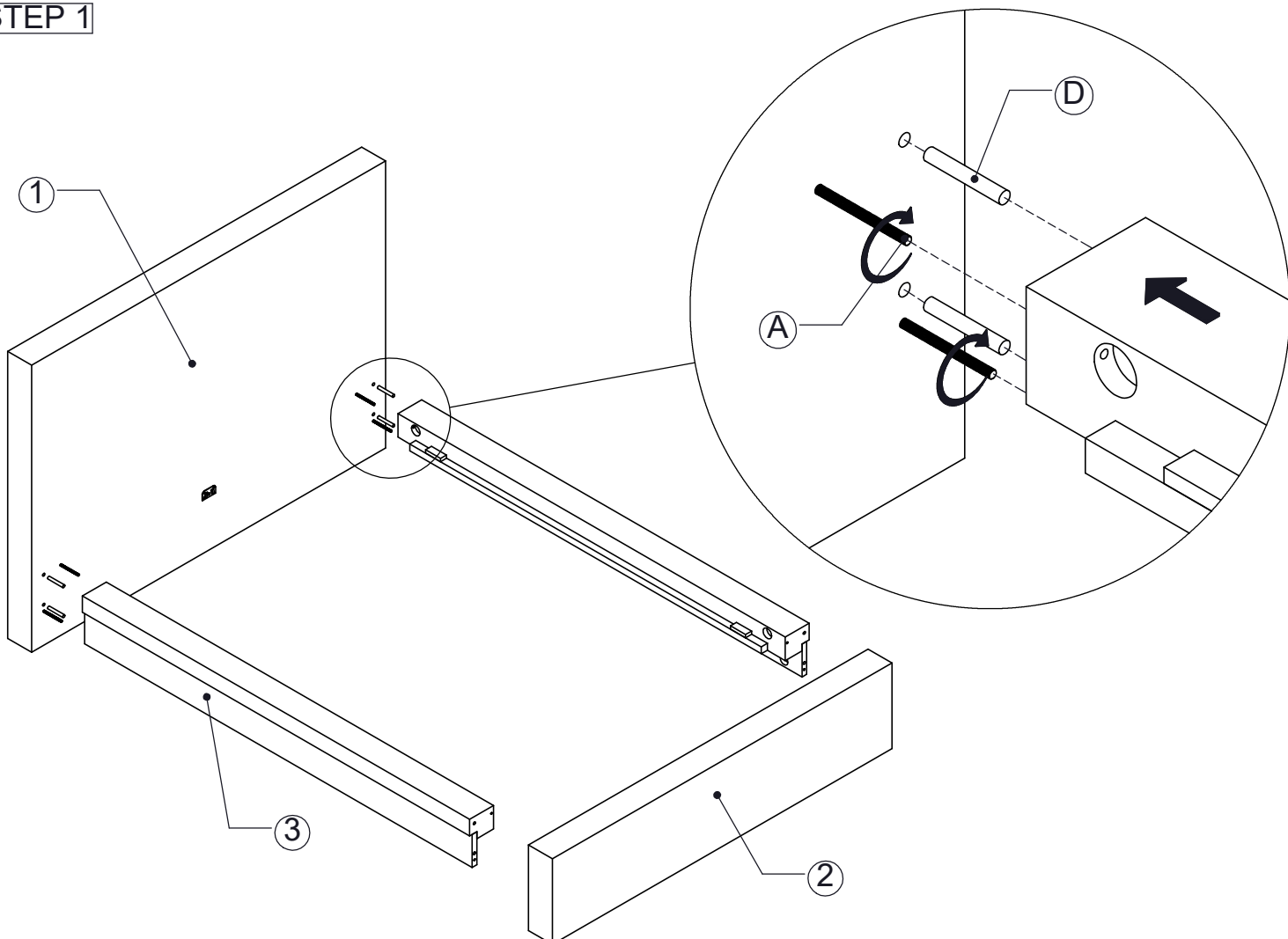
A		Connecting Bolt	8mm x 115mm	8
B		Metal Washer	M8	8
C		Wrench 13	25mm x 110mm	2
D		Dowel $\varnothing$ 12	12mm x 80mm	8

### PART LIST

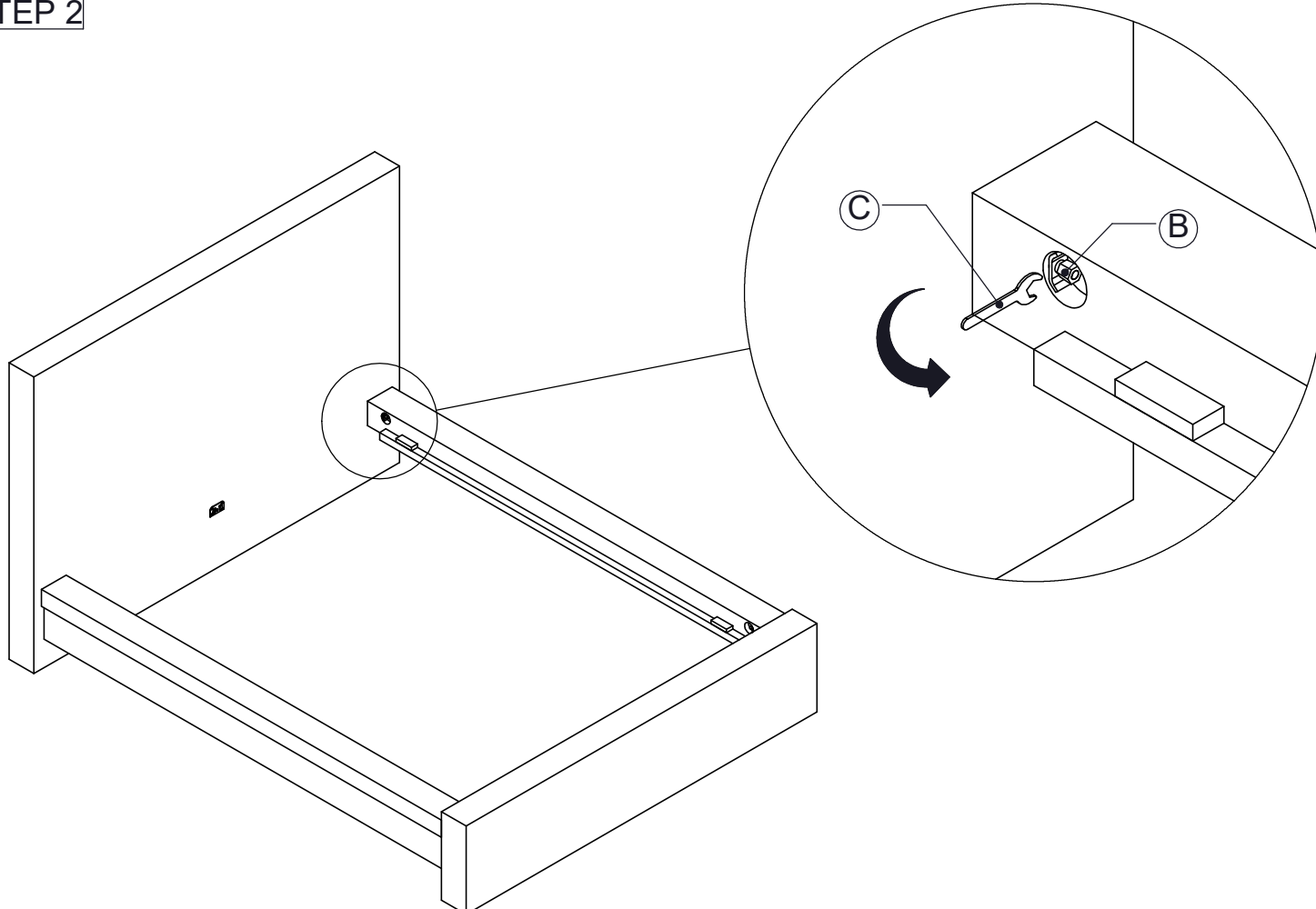
1		HEADBOARD	1
2		FOOTBOARD	1
3		SIDE RAIL	2
4		ROLL SLATS	1
5		CENTER RAIL	1
6		CENTER LEG	1



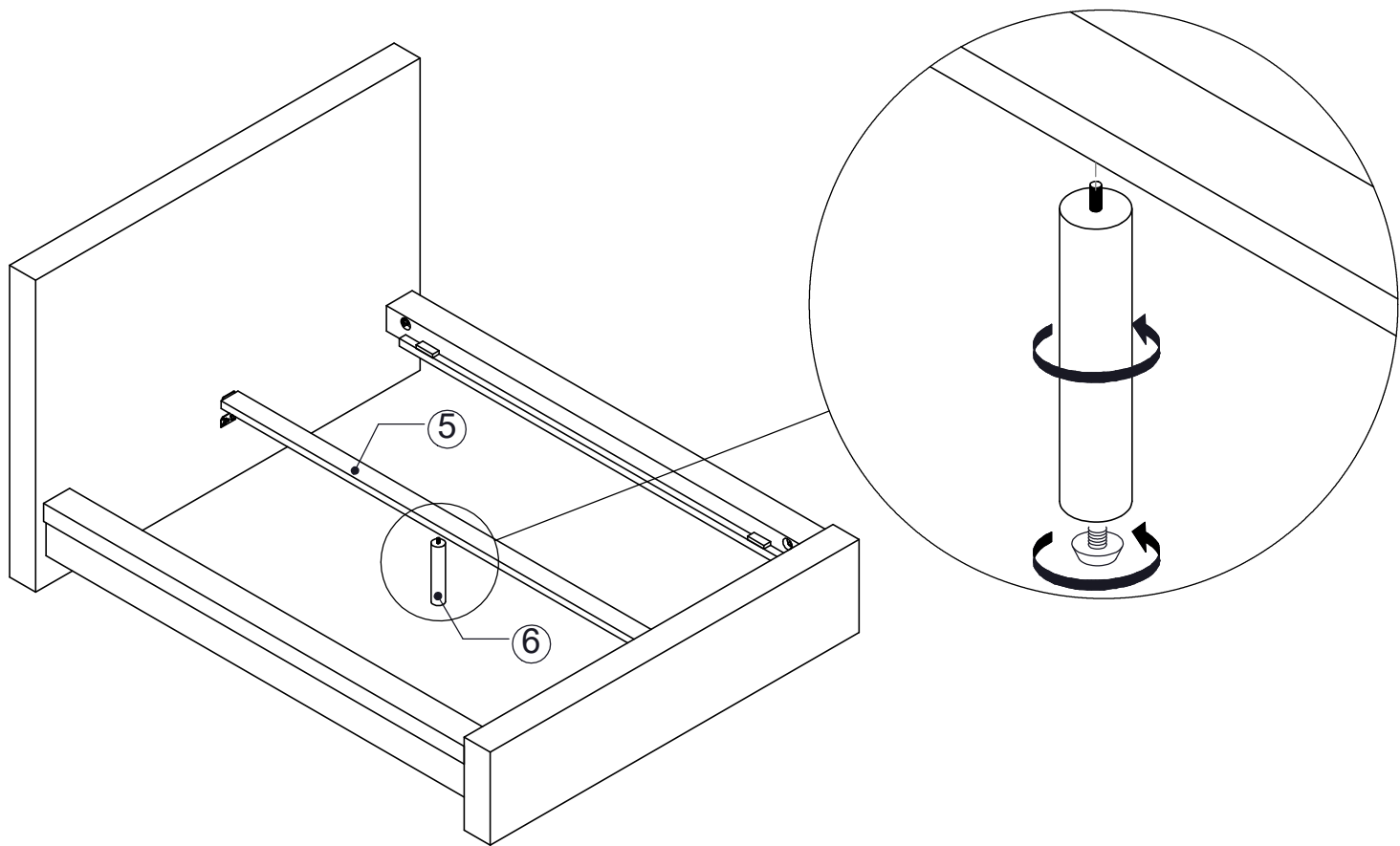
**STEP 1**



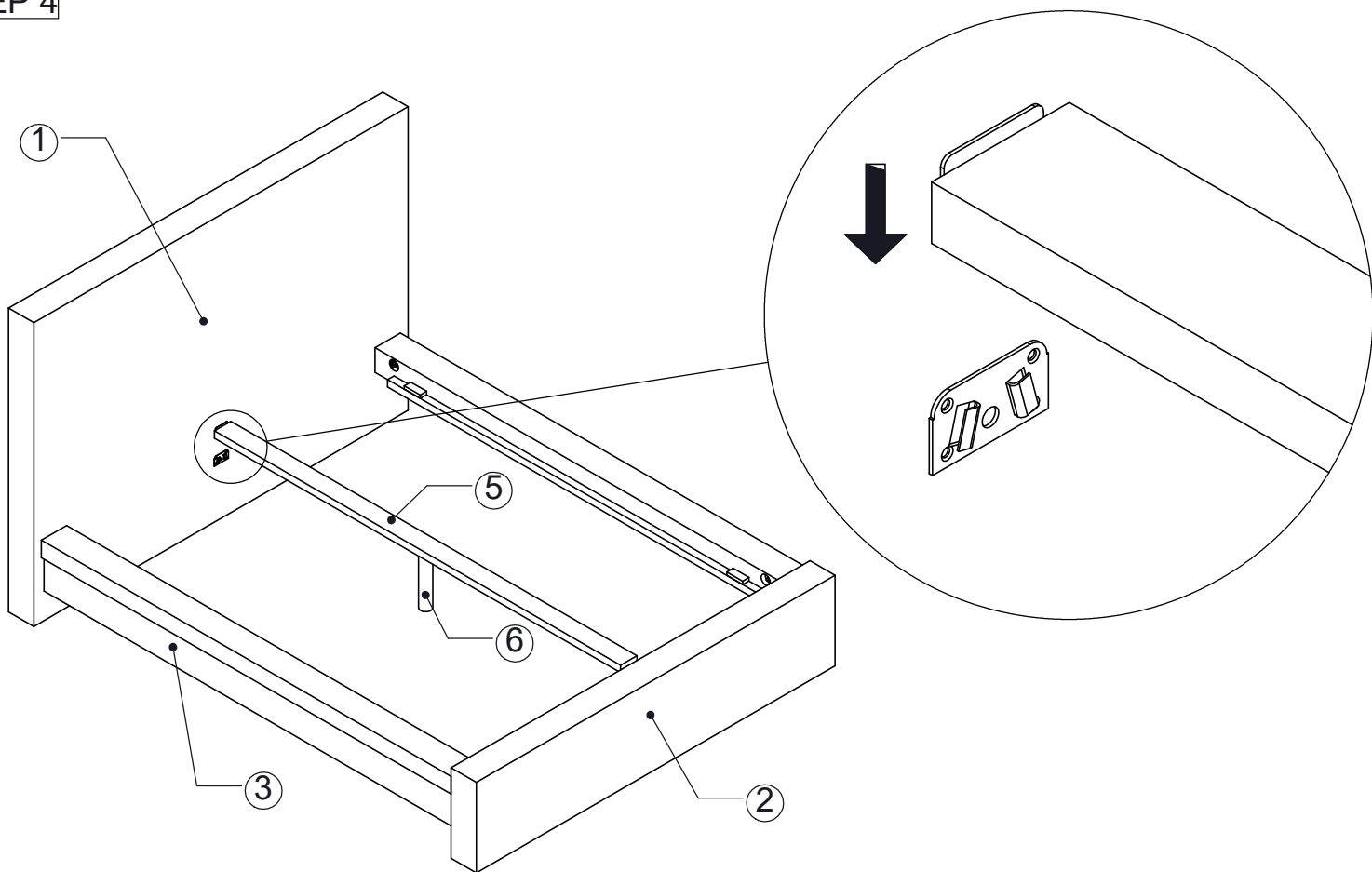
**STEP 2**



**STEP 3**



**STEP 4**



STEP 5

