

TEAK BENCH

PART LIST :

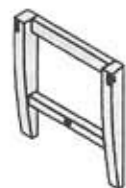
A. SEAT REST 1 PC

B. LEGS FRAME 2 PCS

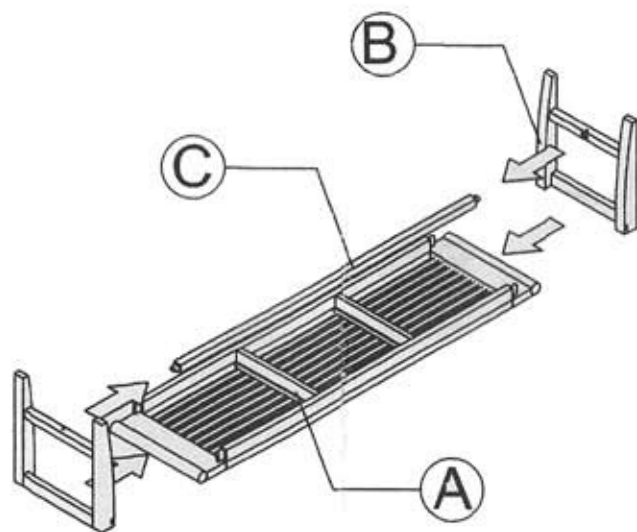
C. STRETCHER 1 PC

HARDWARE :

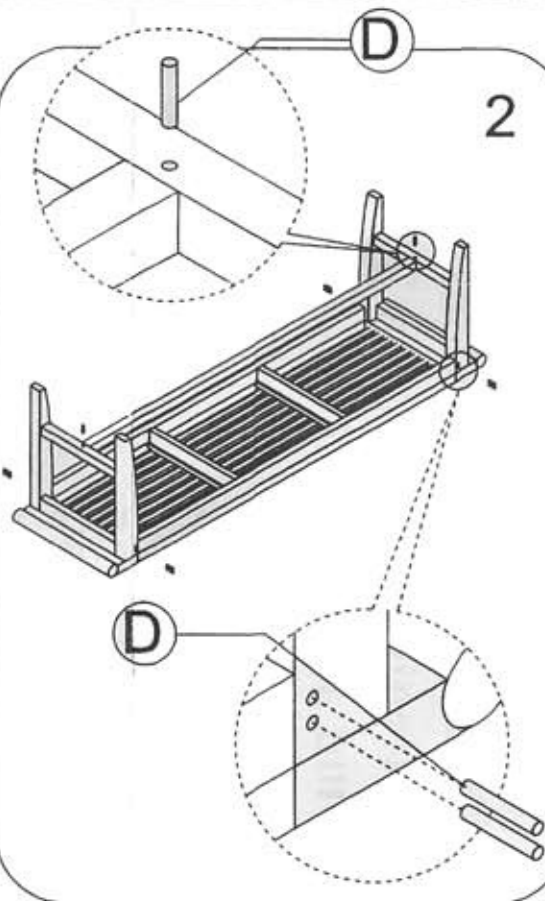
D. WOODEN DOWELS 10 PCS



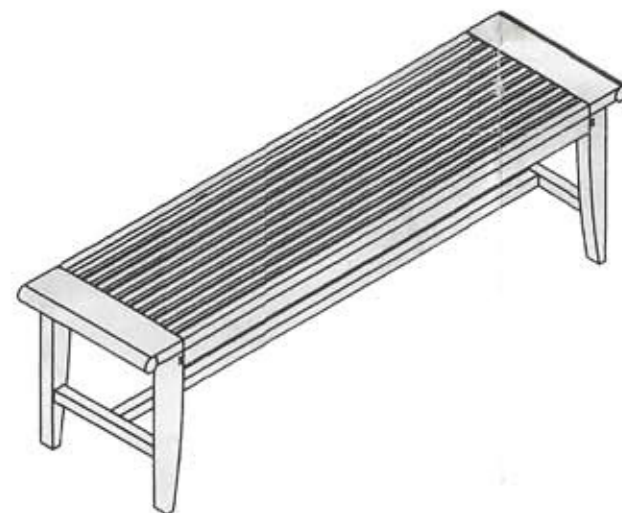
1



2



3



"IMPORTANT!!

Each joint is unique, precise and will fit flush. You must match the white numbered labels with the corresponding number on opposite piece. Put all pieces together **first** to assure that all the joints fit flush **then** tap in the wooden dowels"