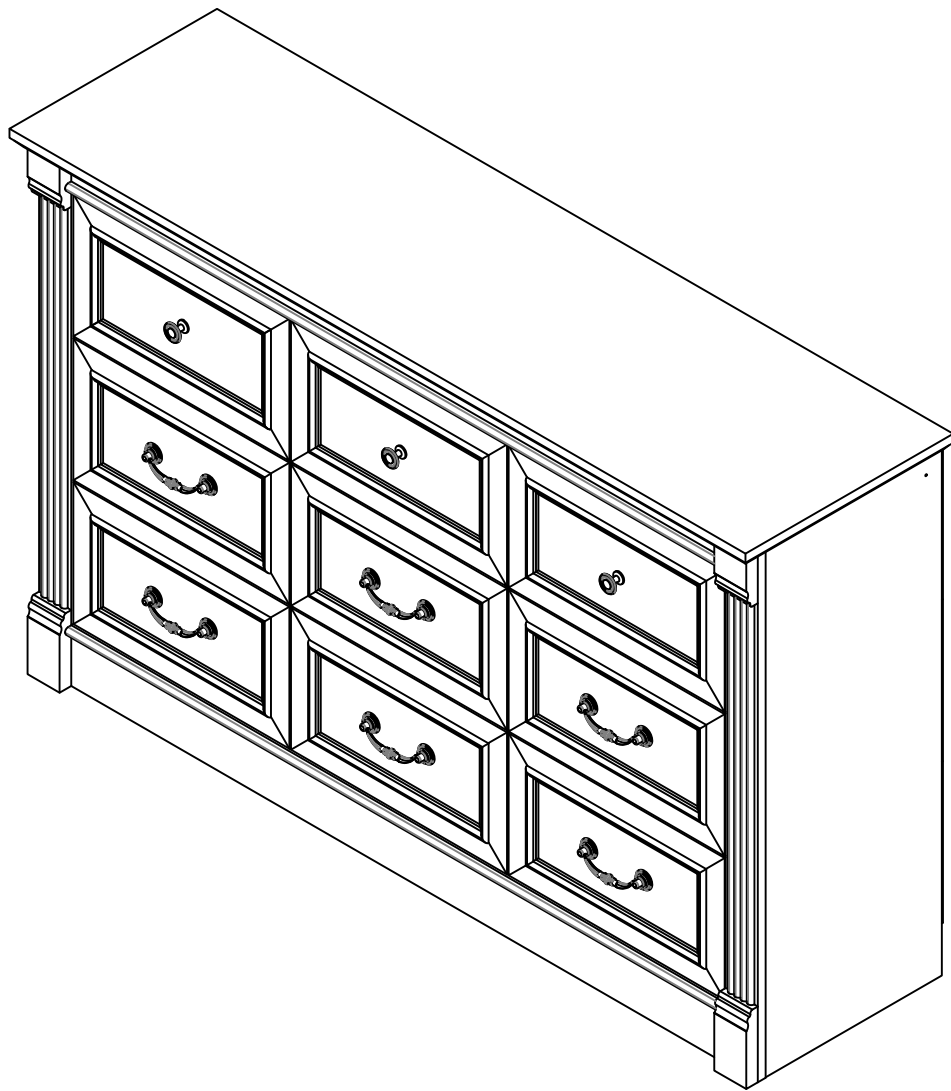



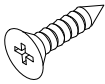
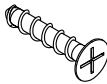

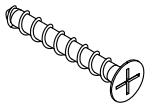

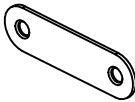
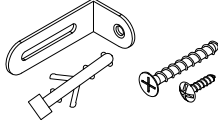


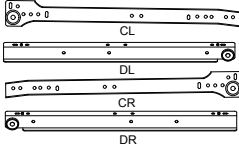
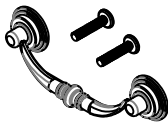
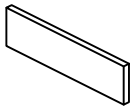
ASSEMBLY INSTRUCTIONS

ITEM:LD24009

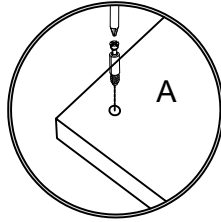


Email:vimity-service@outlook.com

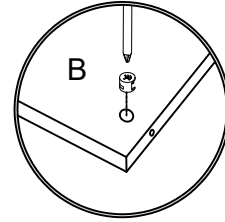
PACKAGE CONTENT

<p>Ø8X30MM</p>  <p>A 43X+2</p>	<p>Ø3X12MM</p>  <p>B 90X+3</p>	<p>Ø4X35MM</p>  <p>C 36X+2</p>	 <p>D 3X</p>
<p>Ø4X50MM</p>  <p>E 8X</p>	<p>Ø3.5X12MM</p>  <p>F 42X+2</p>	 <p>G 4X</p>	 <p>H 2X</p>
 <p>J 69X+3</p>	<p>Ø15X10MM</p>  <p>K 69X+3</p>	 <p>L 9X</p>	 <p>M 6X</p>
 <p>N 8X</p>			

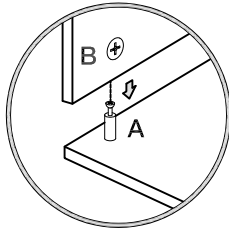
How to use the cam lock system



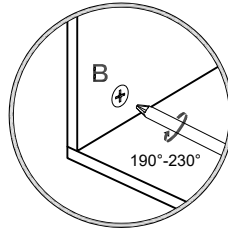
1. Screw cam bolt into panel



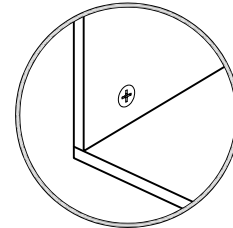
2. Push cam into panel - arrow feature on cam top points to panel edge



3. Align cam bolt(s) with cam(s) and insert all the way into cross-bored hole(s)

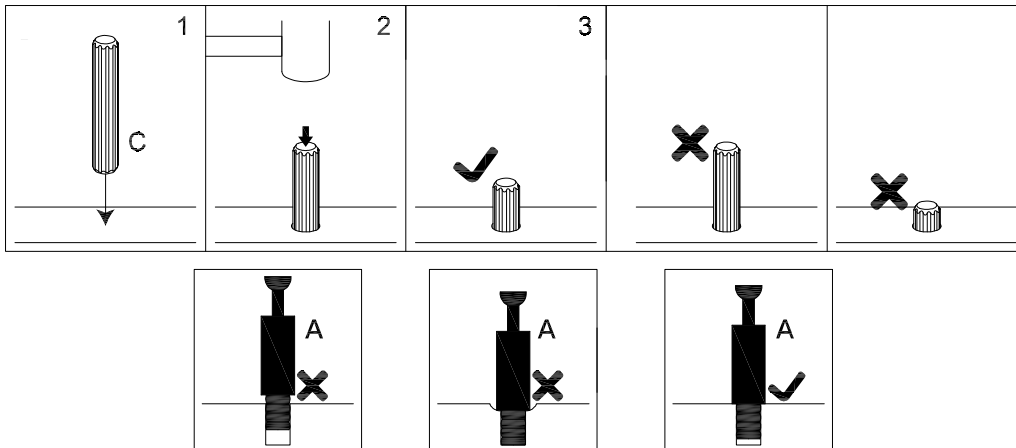


4. Rotate cam(s) clockwise 190°-230° to lock panels together



5. Panels should be tight against each other and connection should be rigid

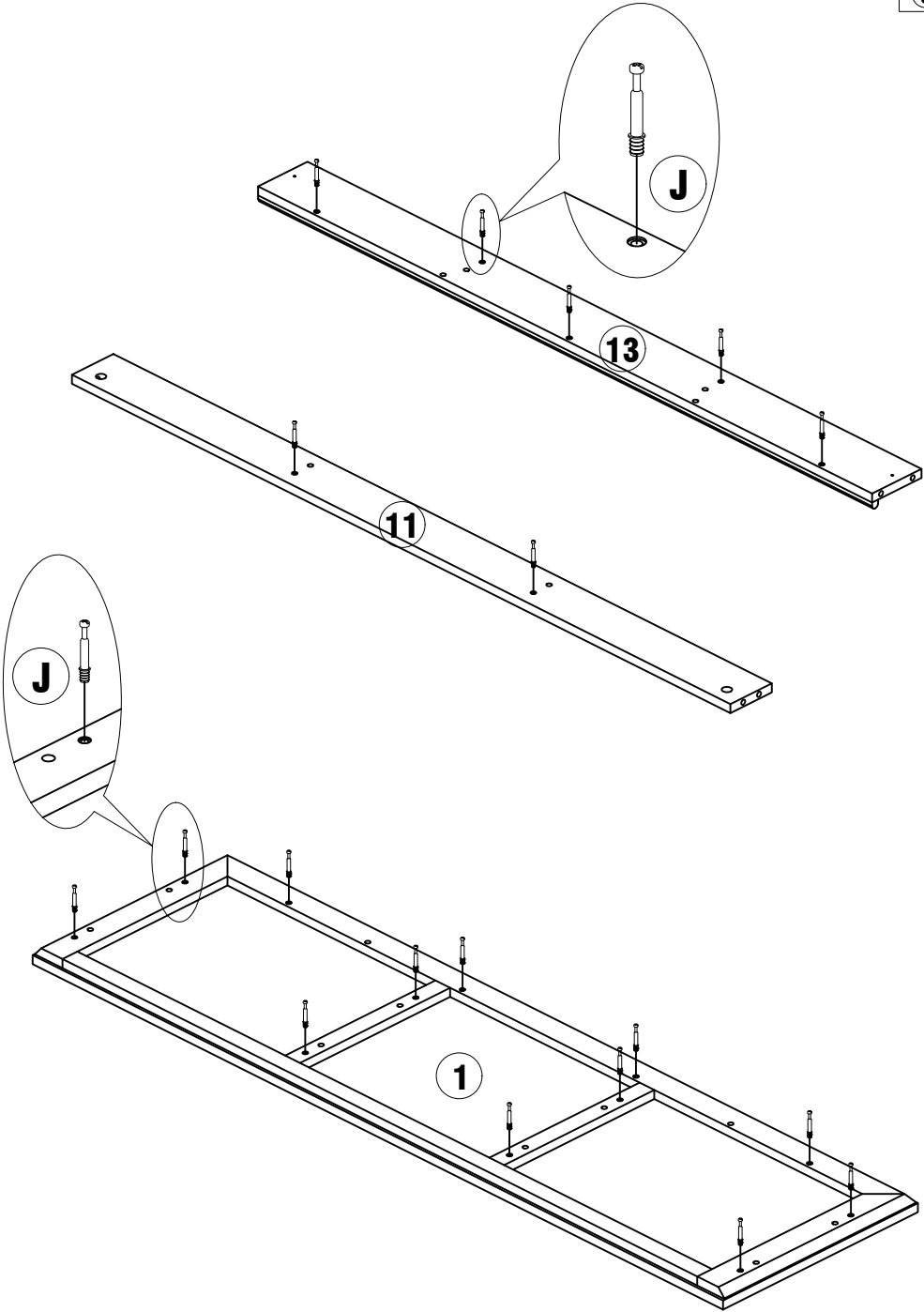
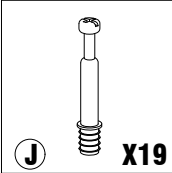
Insert the wood dowel [C] at least half way by tapping lightly with a rubber mallet, IF NECESSARY.



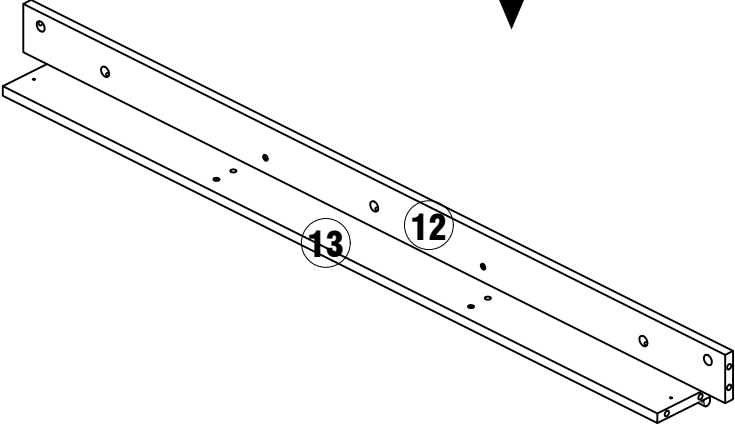
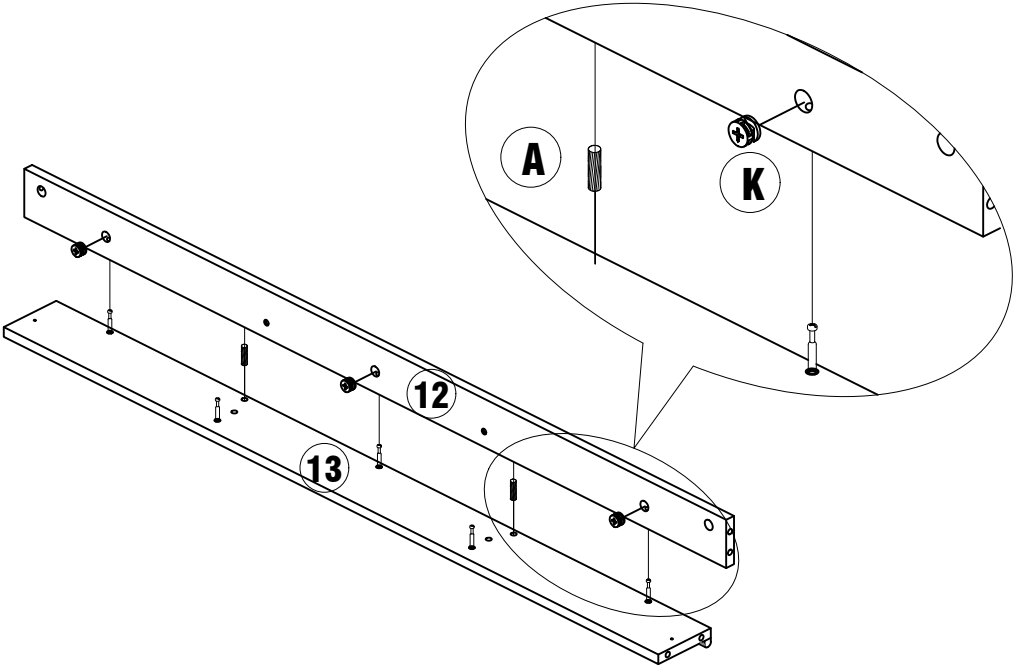
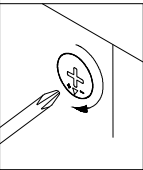
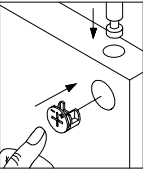
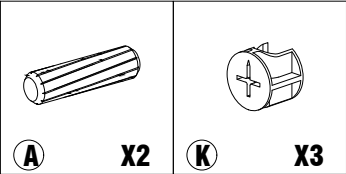
⚠ WARNING

- Unit must be placed on a level surface or leveled with included hardware (when applicable).
- Do not sit or stand on or allow children to climb, sit or stand on the assembled product.
- For safety reasons, it is imperative that this unit be mounted to the wall.
- Do not use without installing the tip restraint.
- Unit can tip over causing severe injury or death.
- Do not exceed the recommended weight limits.
- Evenly distribute the weight on each level and always keep the heavier loads on the bottom.
- Before cutting, drilling or hammering into any wall or floor surface, verify the location of electrical, plumbing and gas lines. Cutting may cause serious injury.

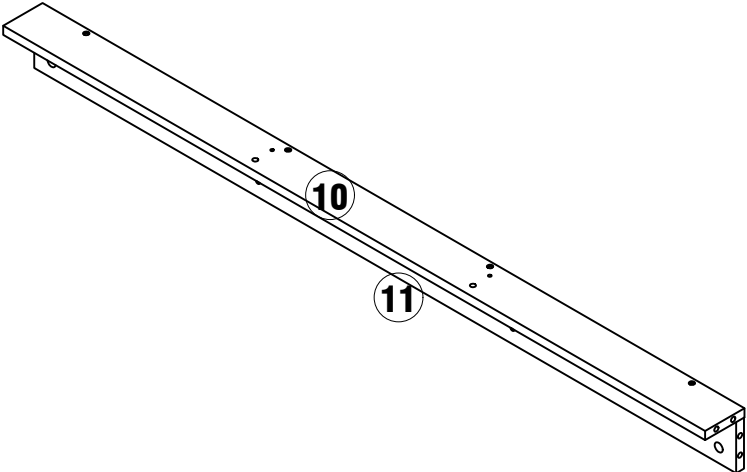
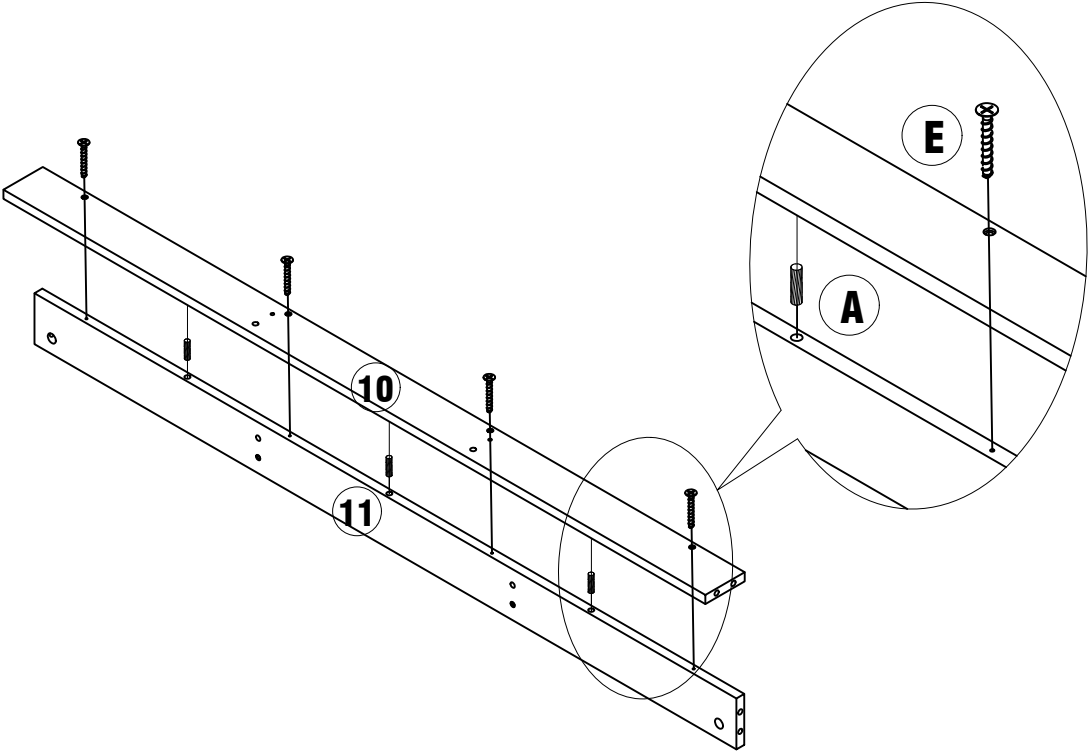
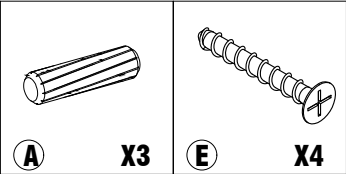
STEP 1



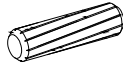
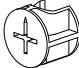
STEP 2

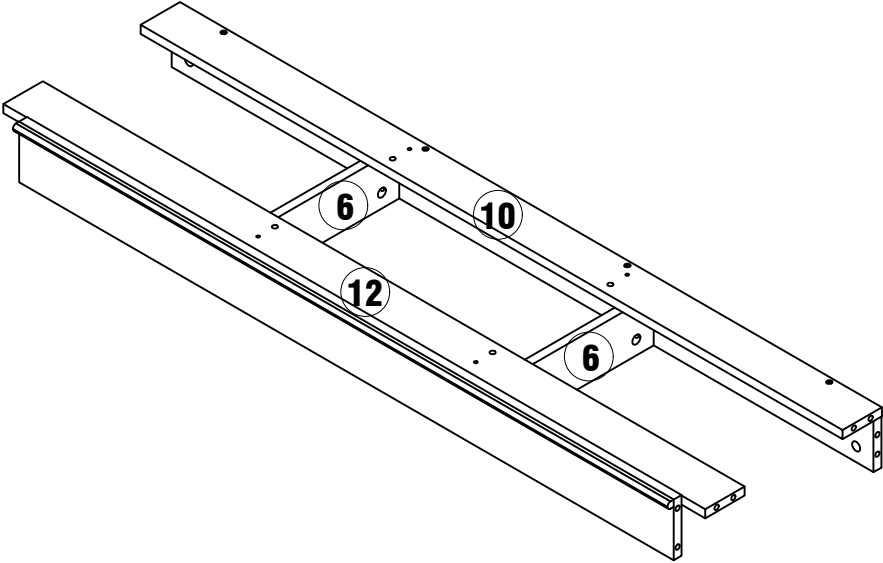
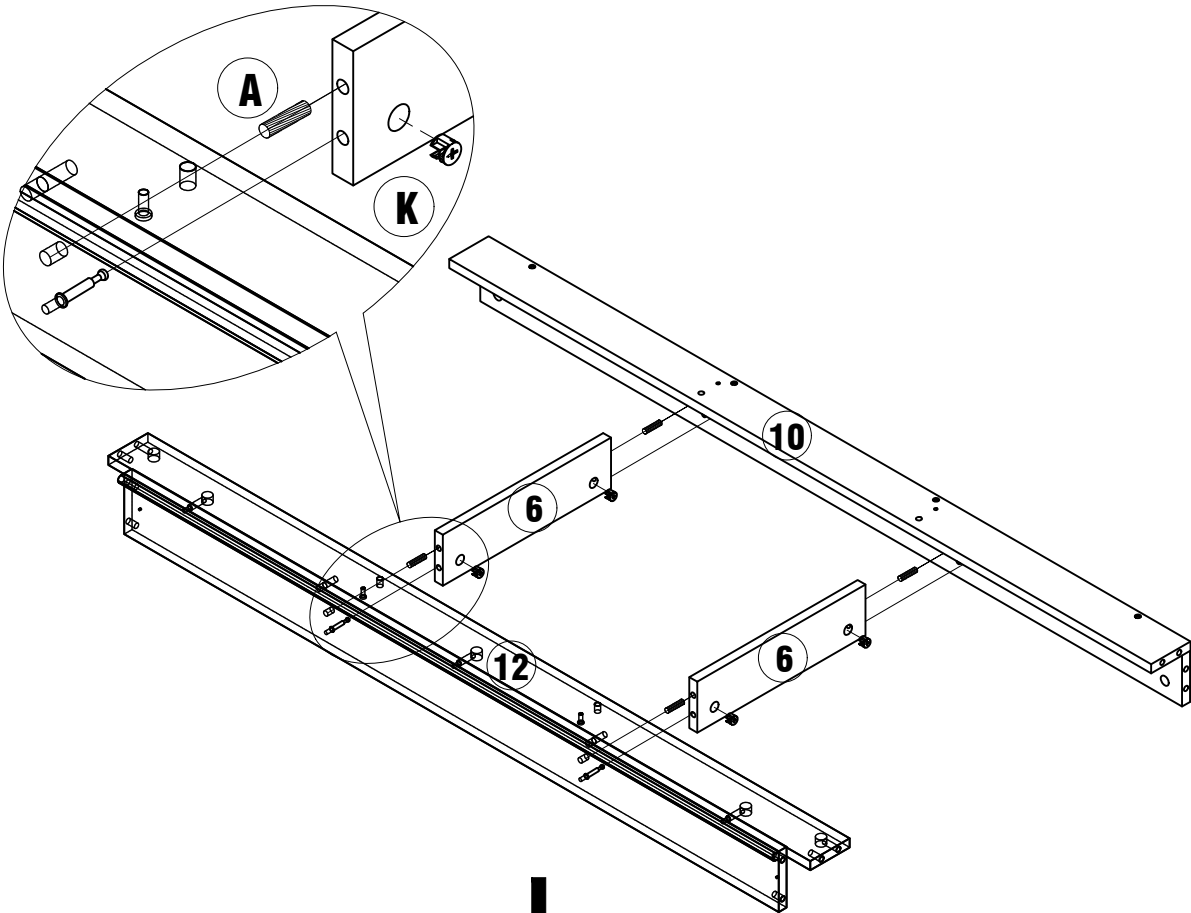


STEP 3

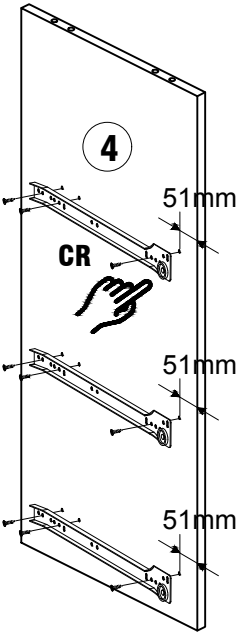
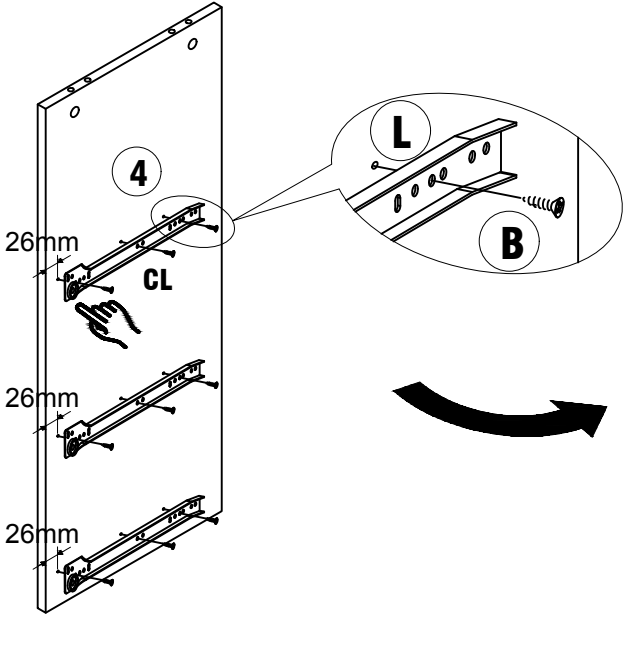
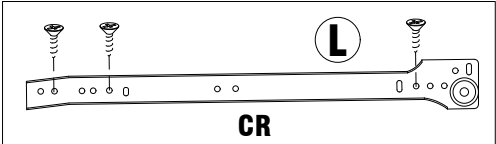
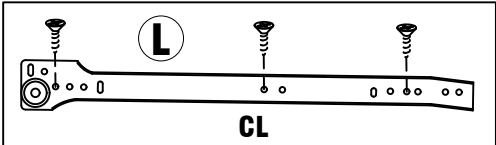
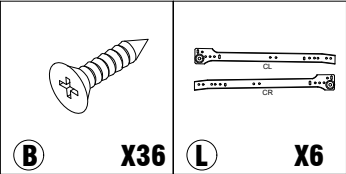


STEP 4

	
A	X4
	K
	X4

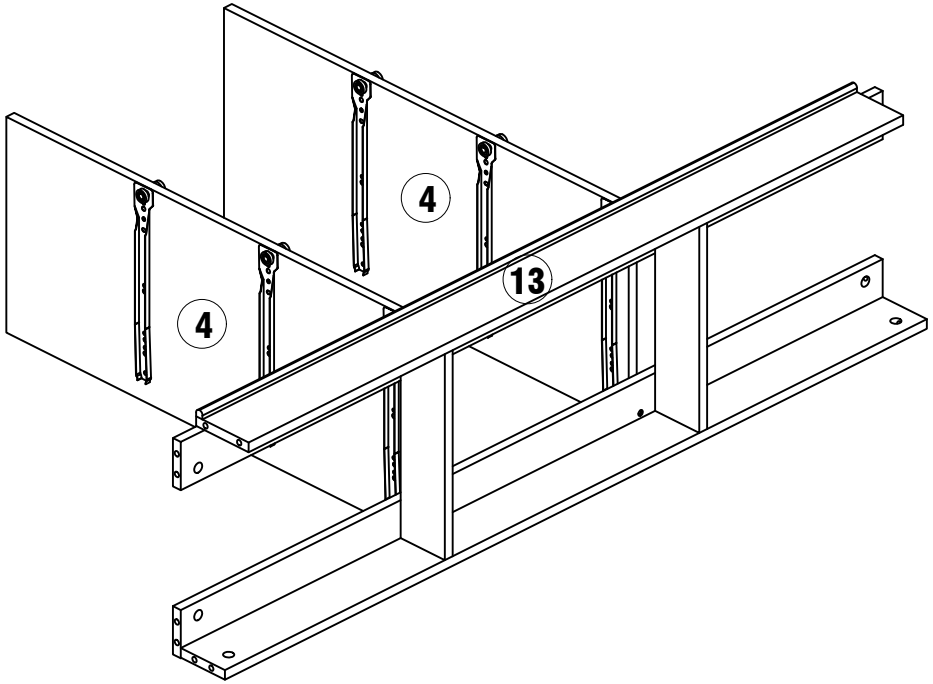
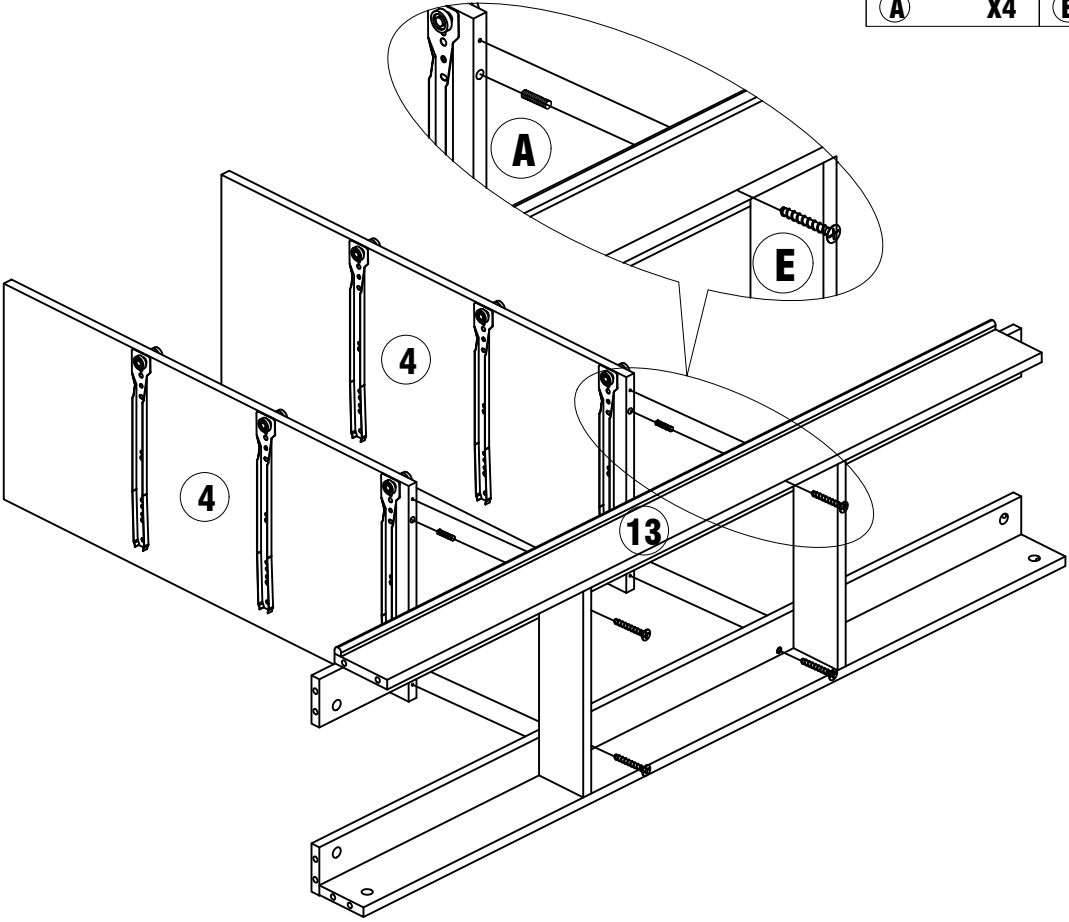
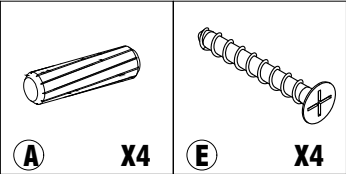


STEP 5

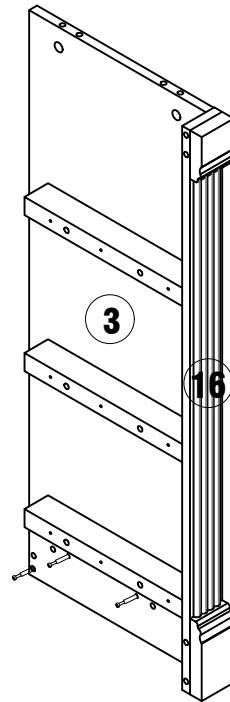
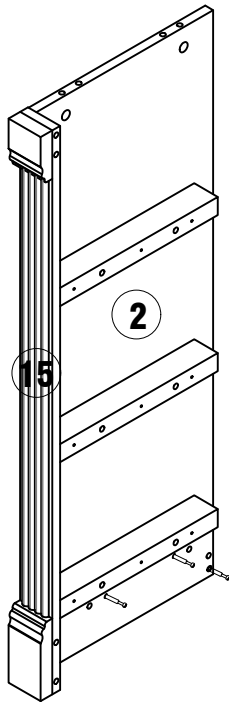
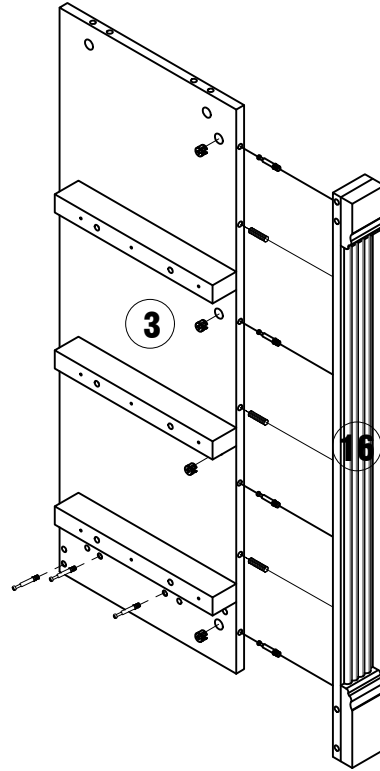
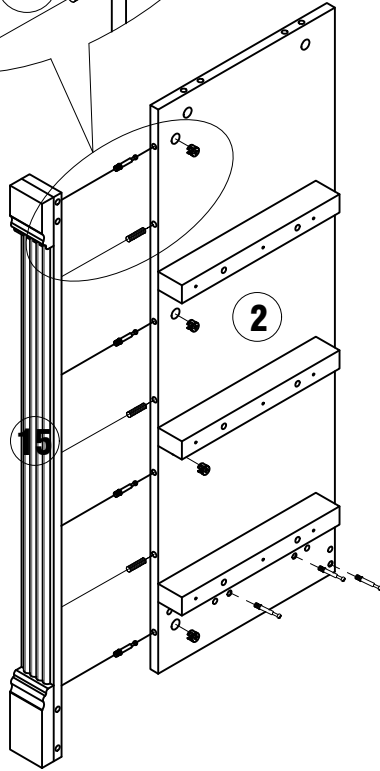
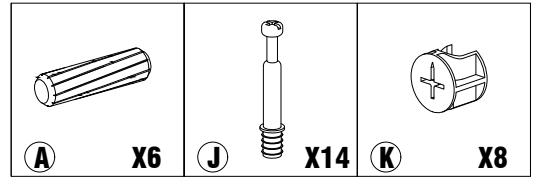
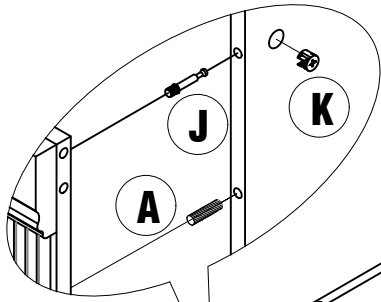
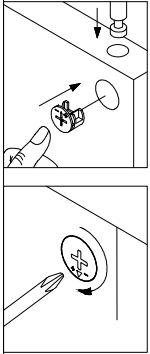


X2

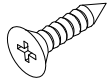
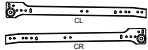
STEP 6

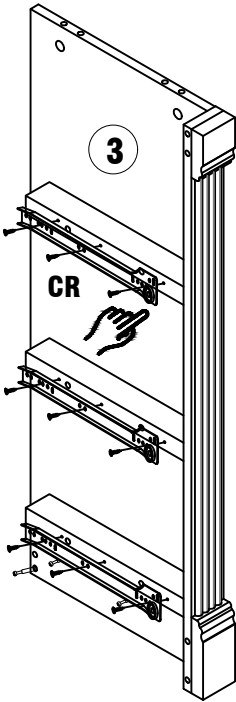
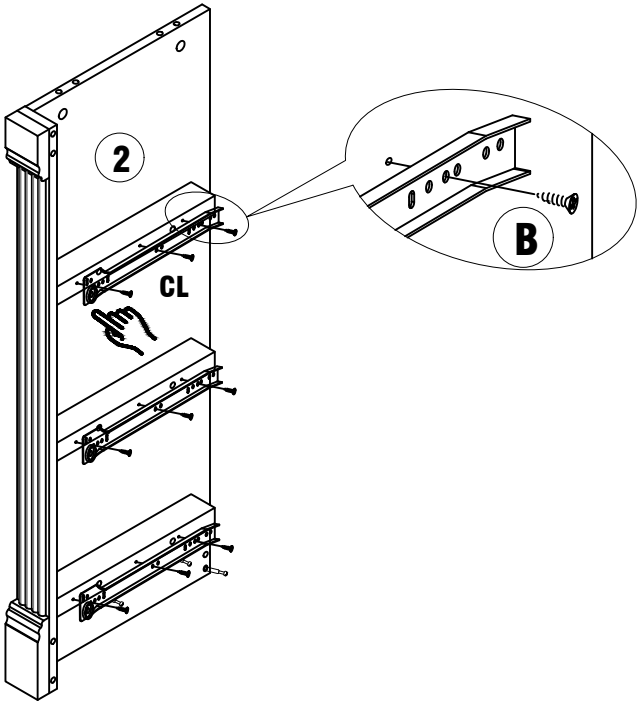
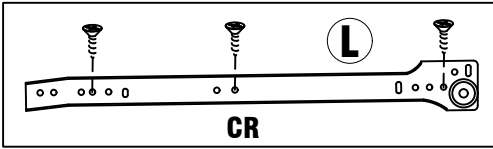
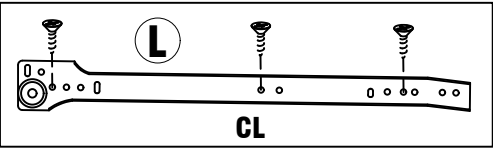


STEP 7

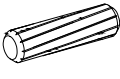




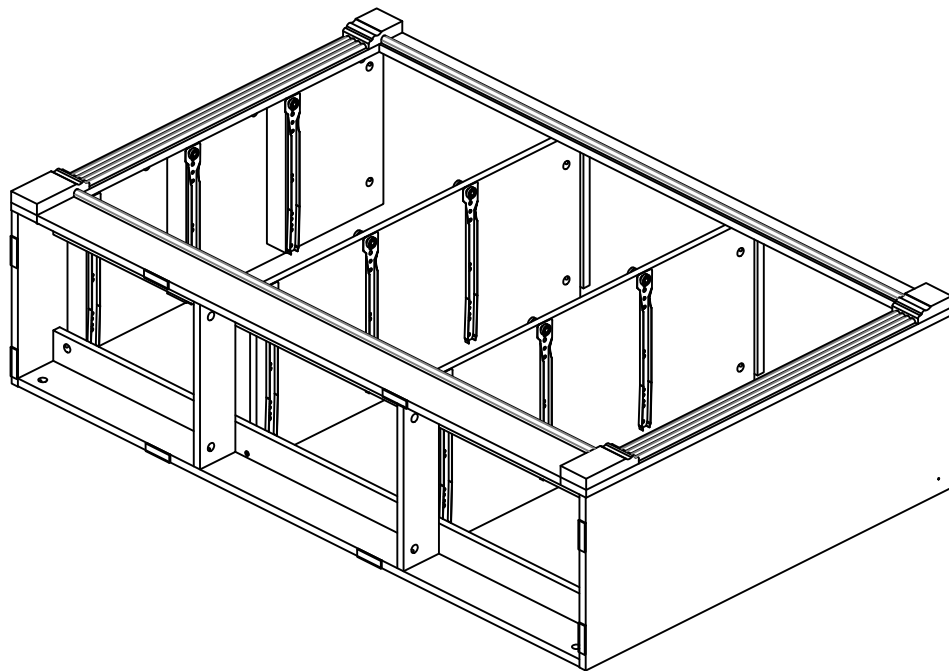
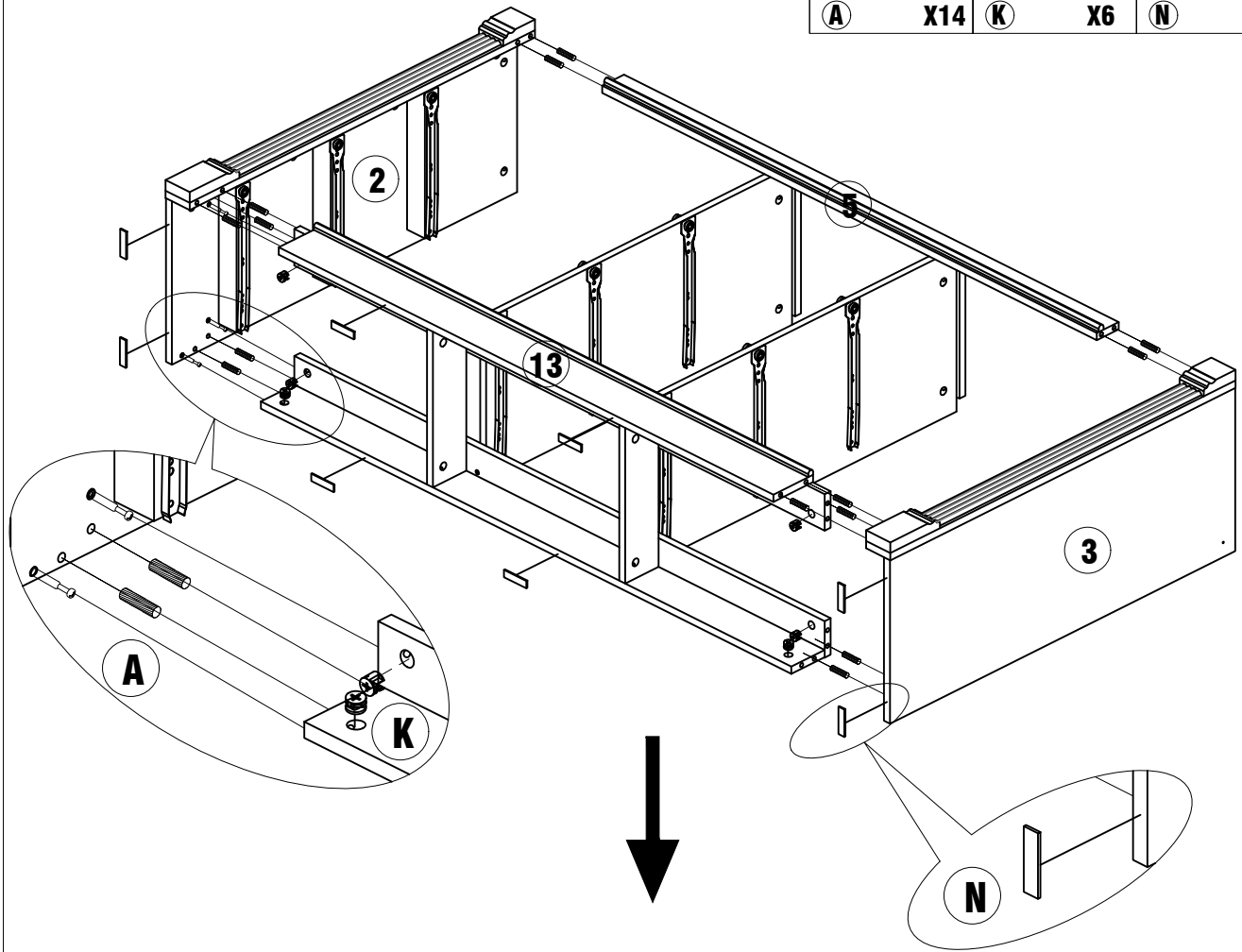
STEP 8

	
B	X18
	L
	X3

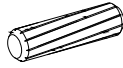
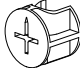


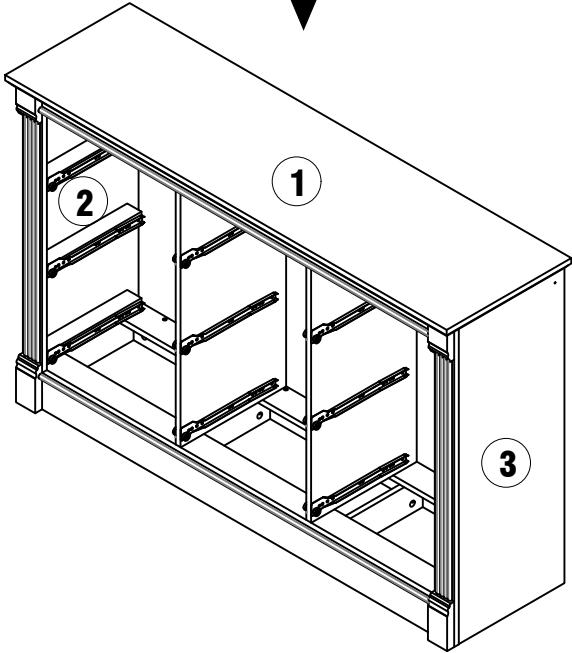
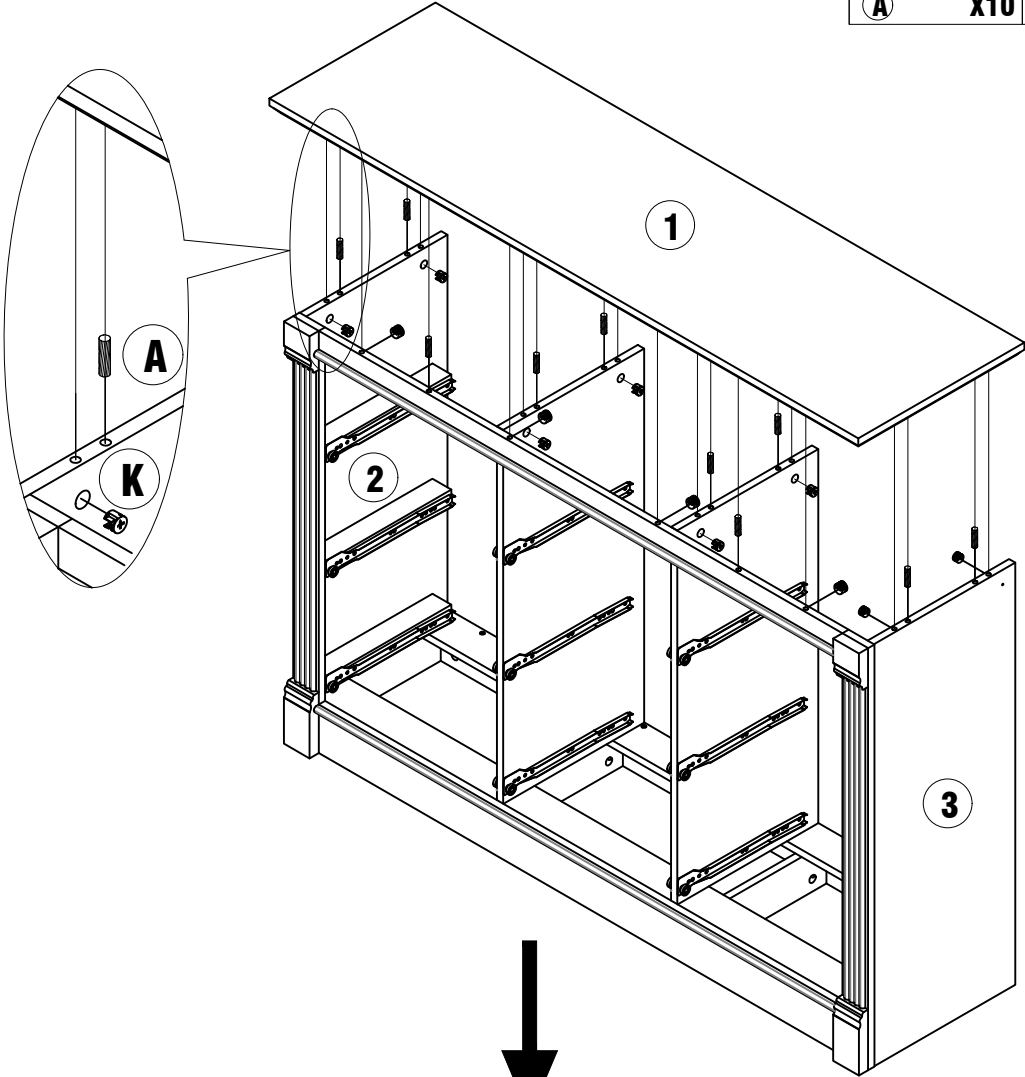
STEP 9

					
A	X14	K	X6	N	X8

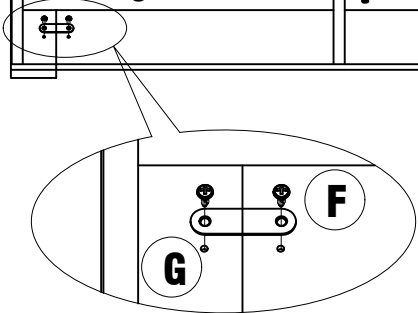
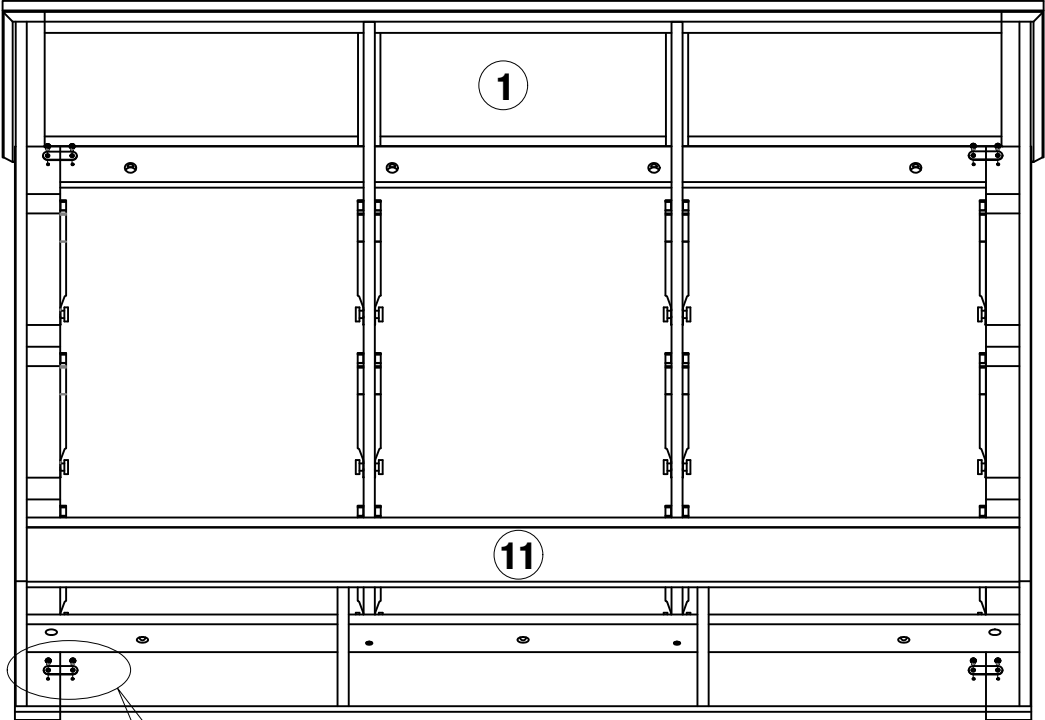
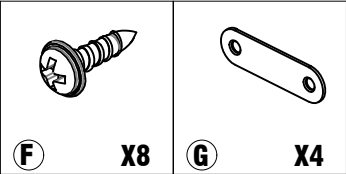


STEP 10

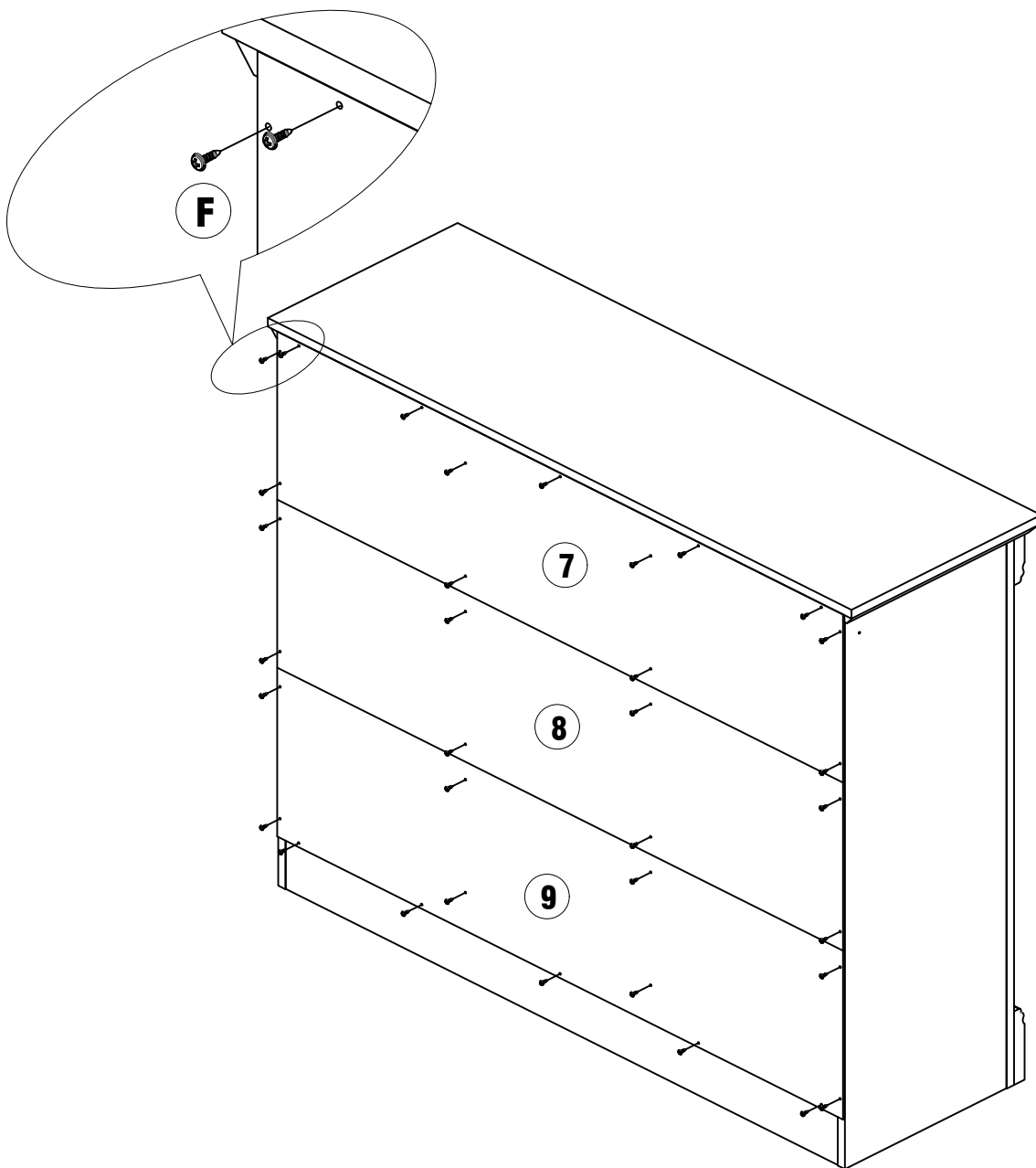
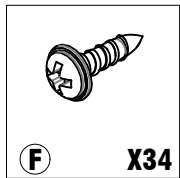
	
A	X10
	K
	X12



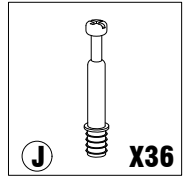
STEP 11



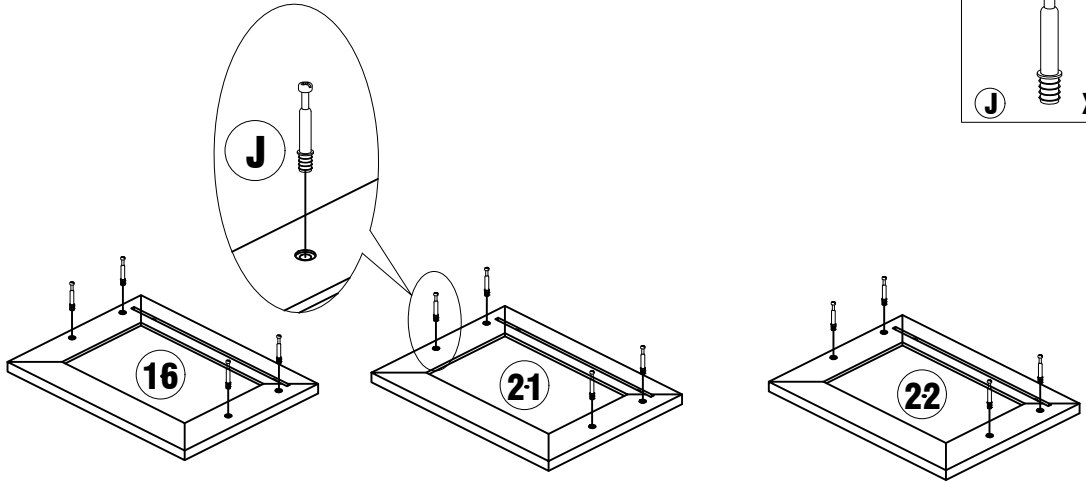
STEP 12



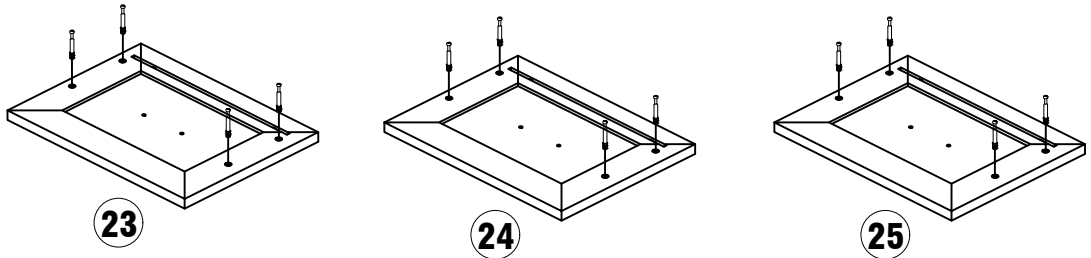
STEP 13



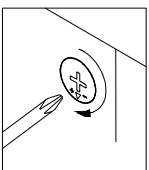
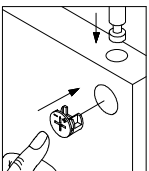
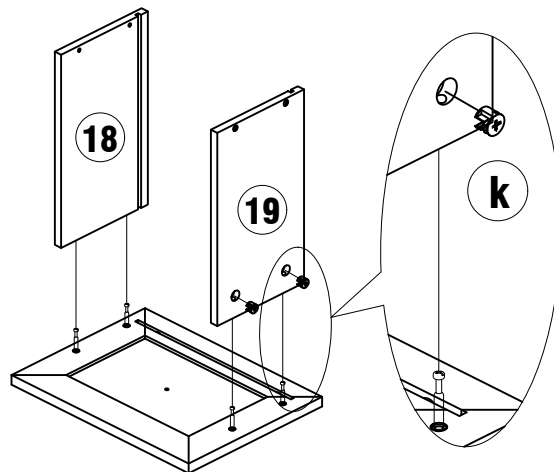
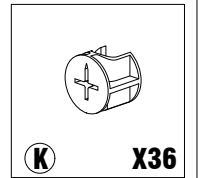
X1



X2

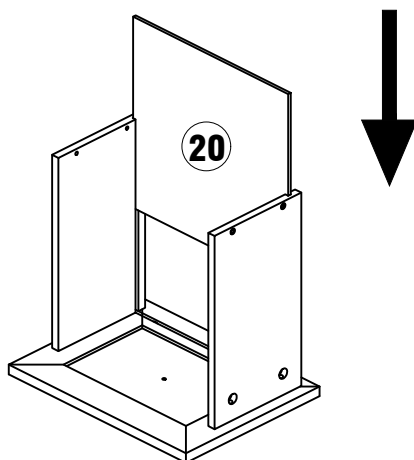


STEP 14



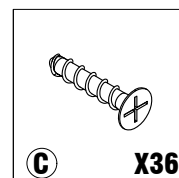
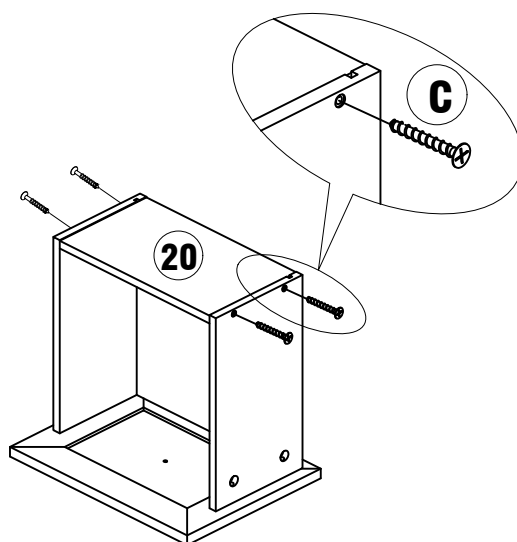
X9

STEP 15



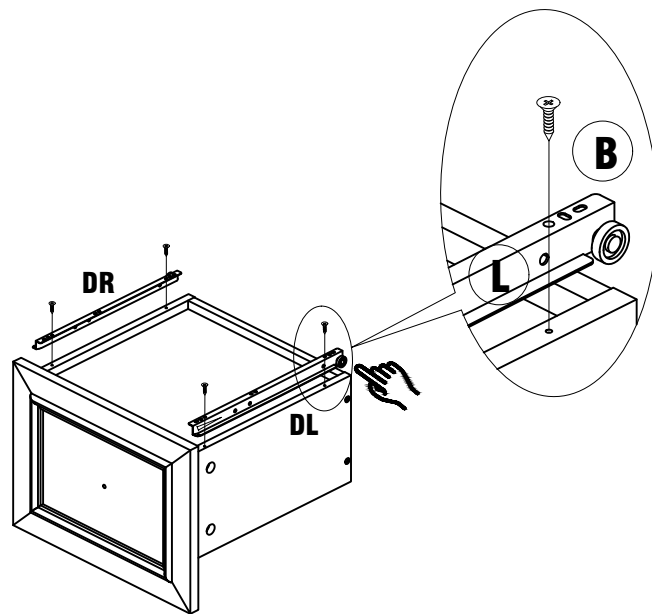
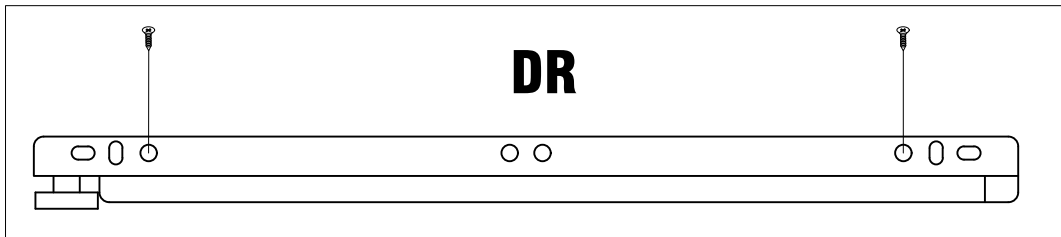
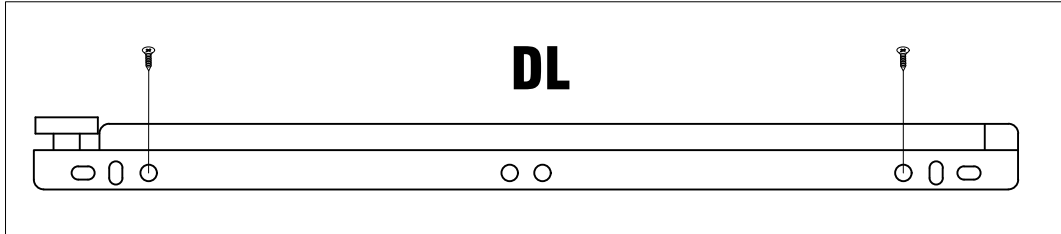
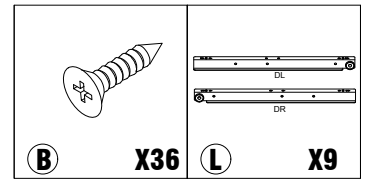
X9

STEP 16





X9

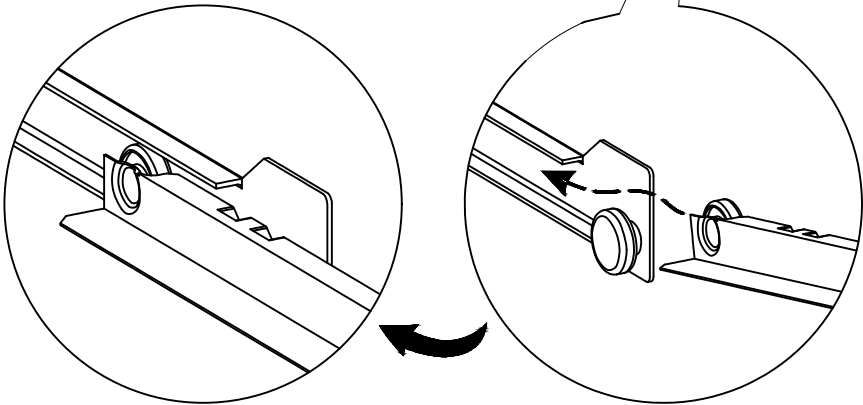
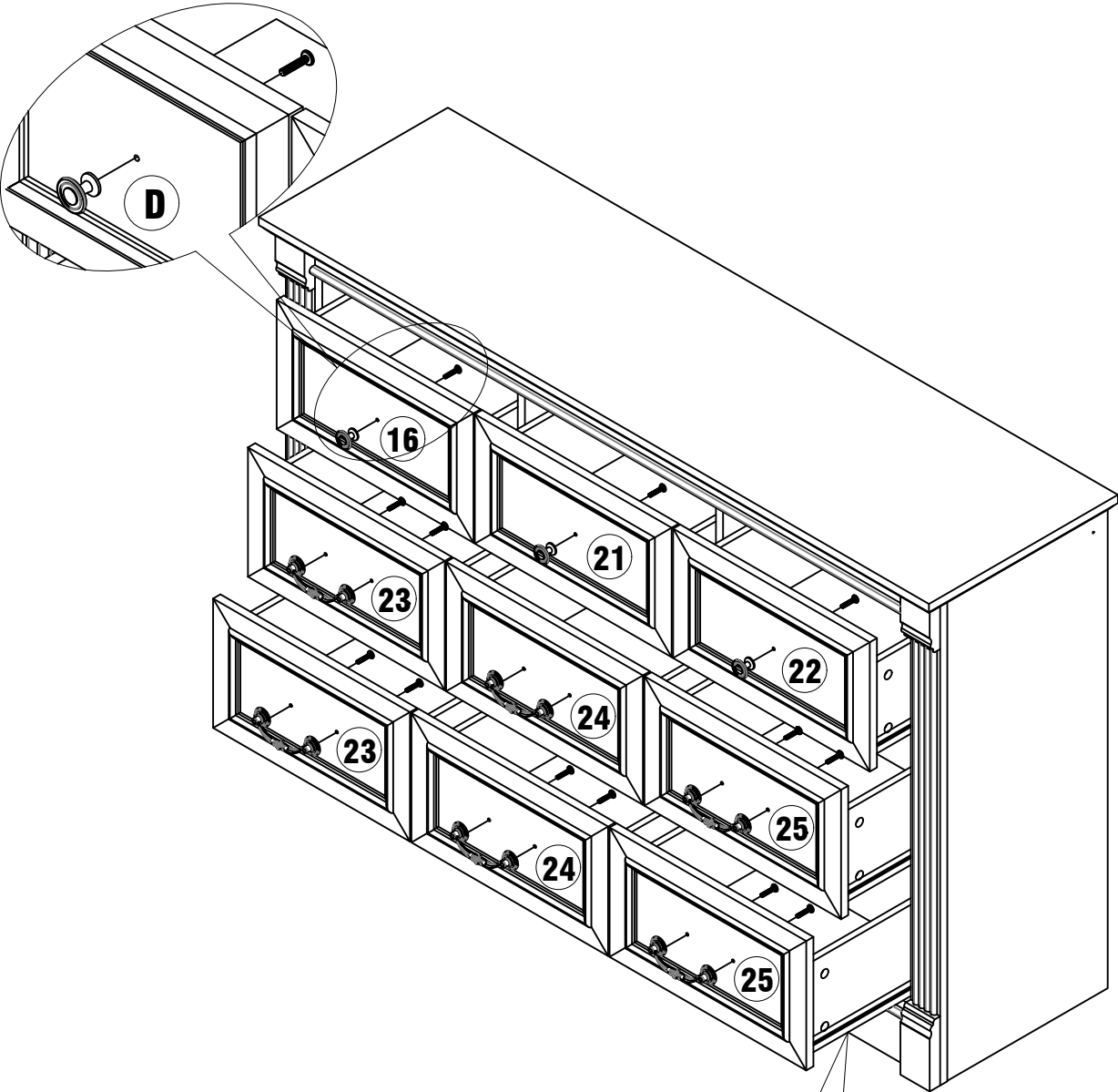
STEP 17



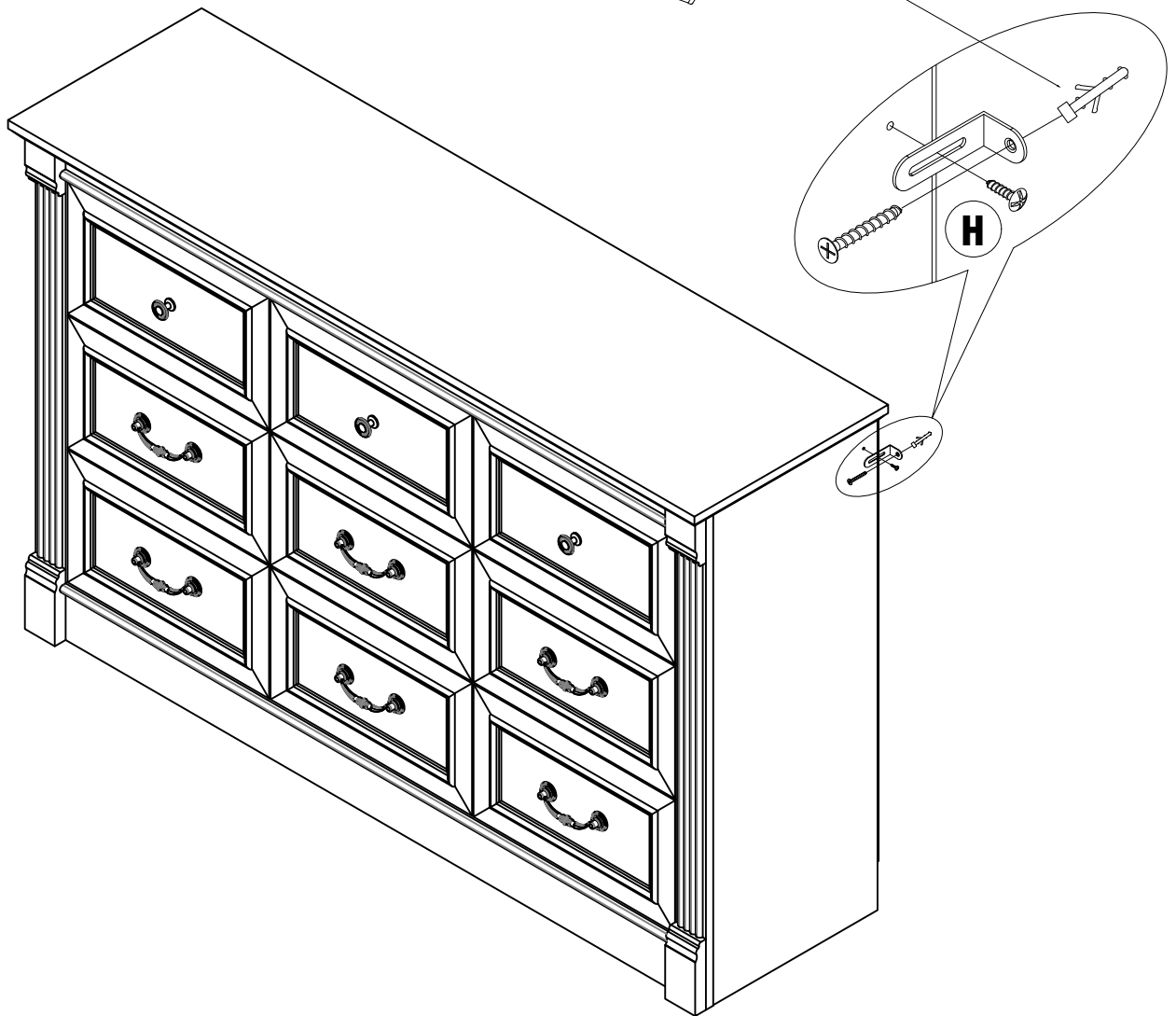
X9

STEP 18

	
D	X3
	M
	X6



STEP 19



▲ WARNING



Children have died from furniture tipover. To reduce the risk of furniture tipover:

- ALWAYS install anti-tip device provided.
- NEVER put a TV on this product.
- NEVER allow children to stand, climb or hang on any drawers, doors, or shelves.
- NEVER open more than one drawer at a time.
- Place heaviest items in the lowest drawers.

*this is a permanent label.
Do not remove!*