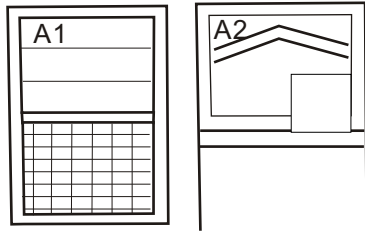


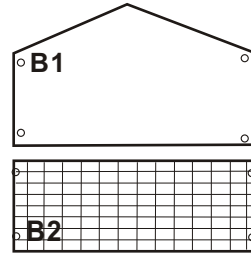
Assembly instruction

- S1** 30mm 28pcs
S2 25mm 7pcs
S3 10mm 12pcs
S4 18mm 16pcs
S5 3pcs
S6 2pcs

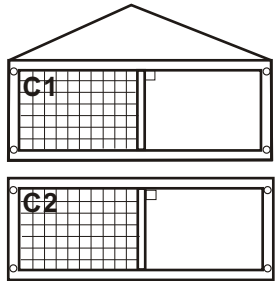
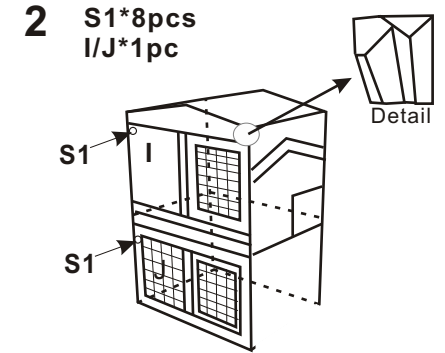
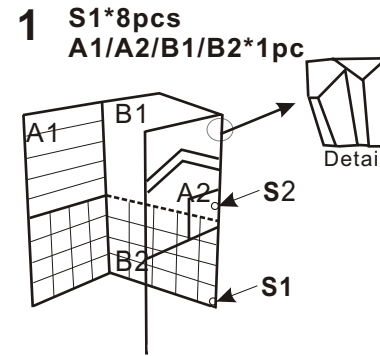
Screw detail



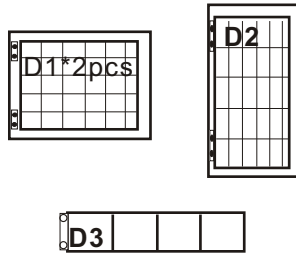
A= cage side wall



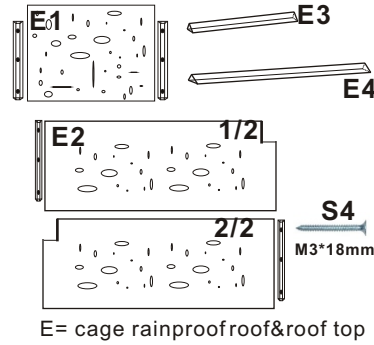
B= cage back wall



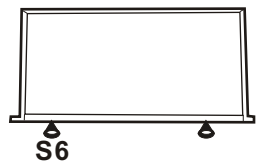
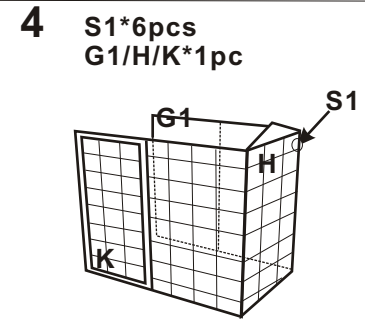
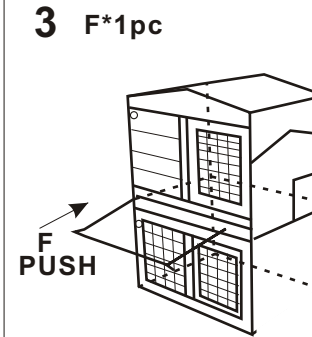
C=cage front frame



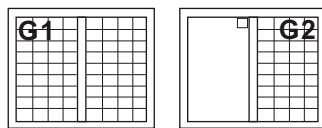
D= small door & stairs



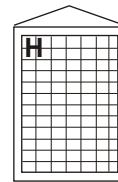
E= cage rainproof roof & roof top



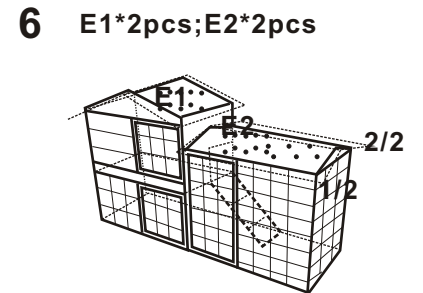
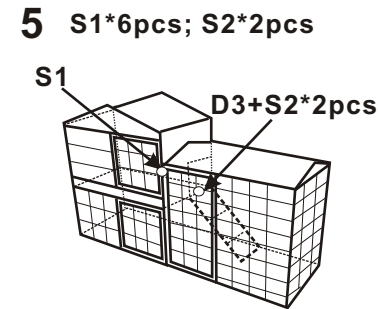
F= rainproof drawer



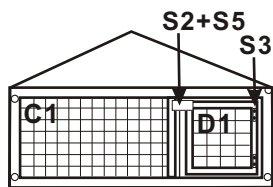
G= running box front & back frame



H= running side frame

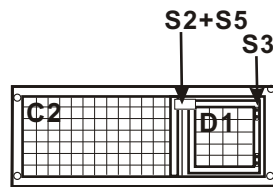


- S2*1pc; S3*4pcs; S5*1pc
C1*1pc; D1*1pc



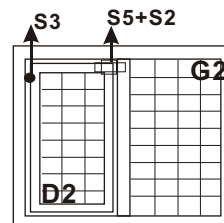
I= finished cage front frame

- S2*1pc; S3*4pcs; S5*1pc
C2*1pc; D1*1pc

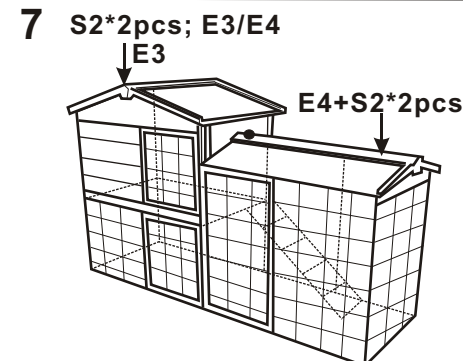


J= finished cage front frame

- S2*1pc; S3*4pcs; S5*1pc
G2*1pc; D2*1pc



K= finished running box frame



SOFTLY REMIND

Make sure screws are accurately inserted. Avoid the points of nails sticking into the living space of your pet; they could cause injury.

SOFTLY REMIND

Fir & plywood sections may twist when unassembled, if you happen to meet this problem do two steps as follow:
 1. find out which surface is curved.
 2. put the curved face down-ward the floor for a short time under the sunshine (if no sunshine, thime should meet little more).
 3. then you can find the fir & plywood revert to level.