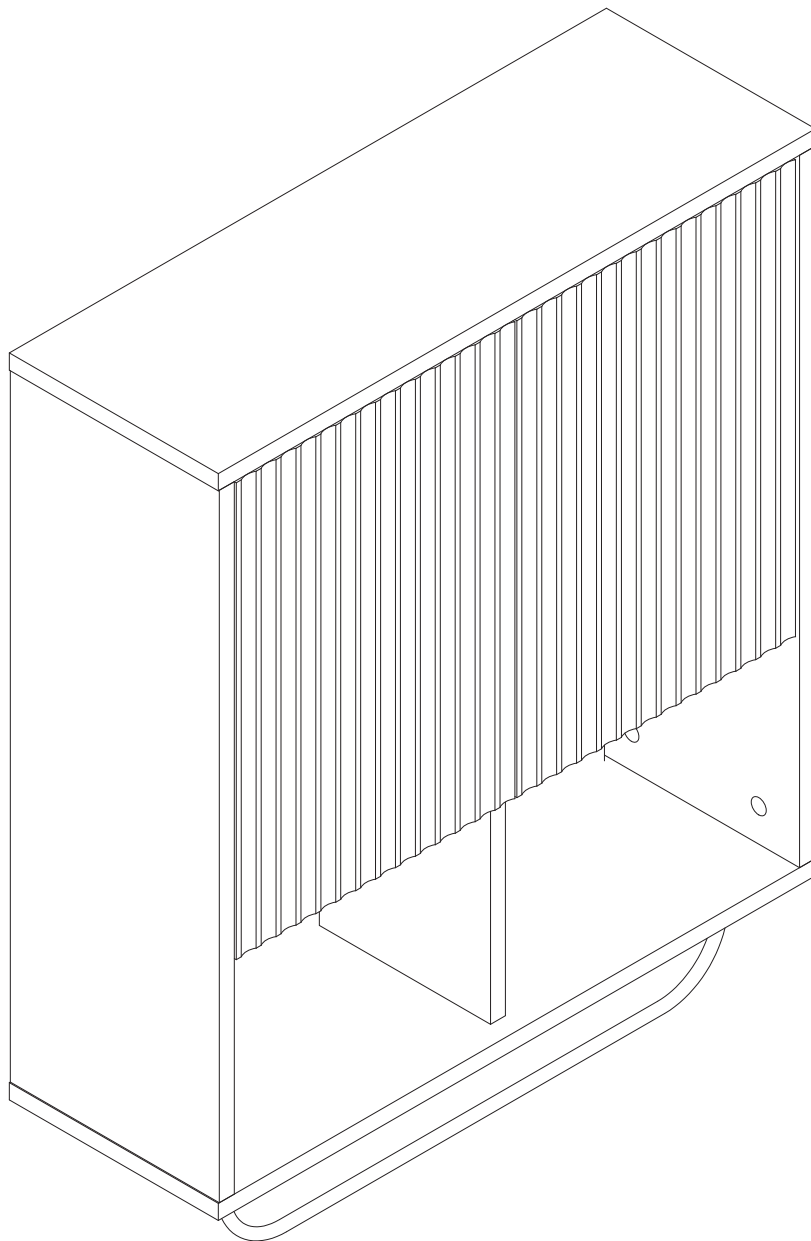
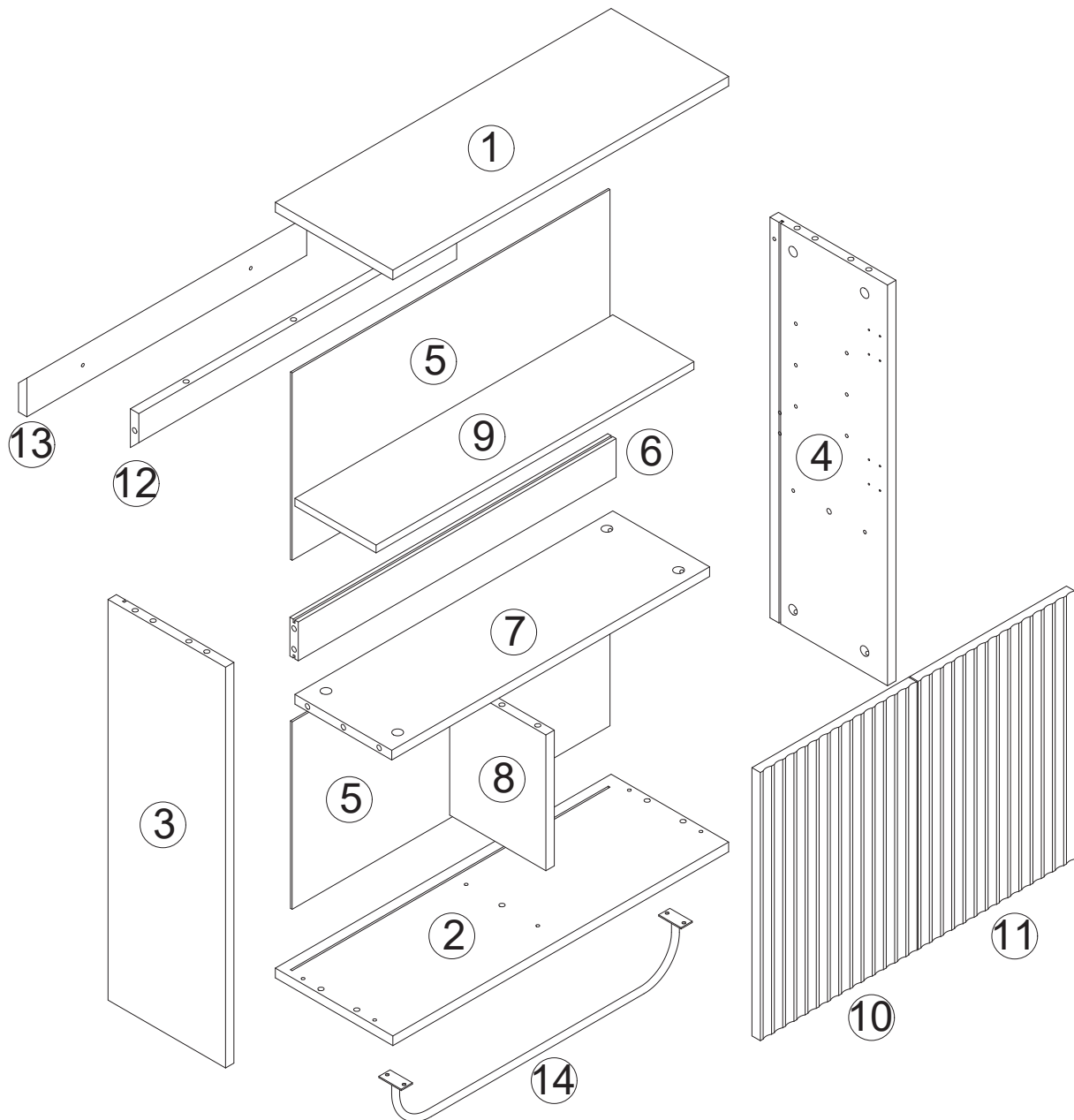


Fluted Wall Cabinet



ASSEMBLY INSTRUCTIONS

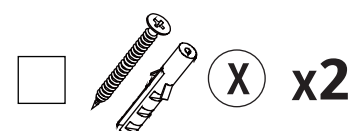
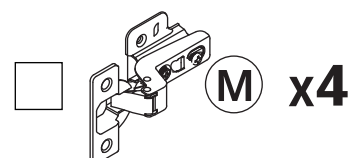
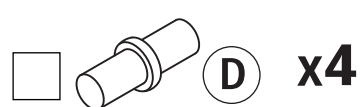
Parts



IMPORTANT

1. Do not tighten bolts/screws completely until all bolts/screws are lined up and inserted into holes.
2. Do not over-tighten screws and bolts to avoid stripping.
3. Please use hand tools to assemble this product. Do not use power tools.

Hardware



Before discarding the packaging, please use the checklist to ensure you have all the parts required to assemble your product. Please kindly note you will need the original package if you want to return the product later.



If parts are missing or damaged, we will gladly ship your replacements parts free of charge.



x2

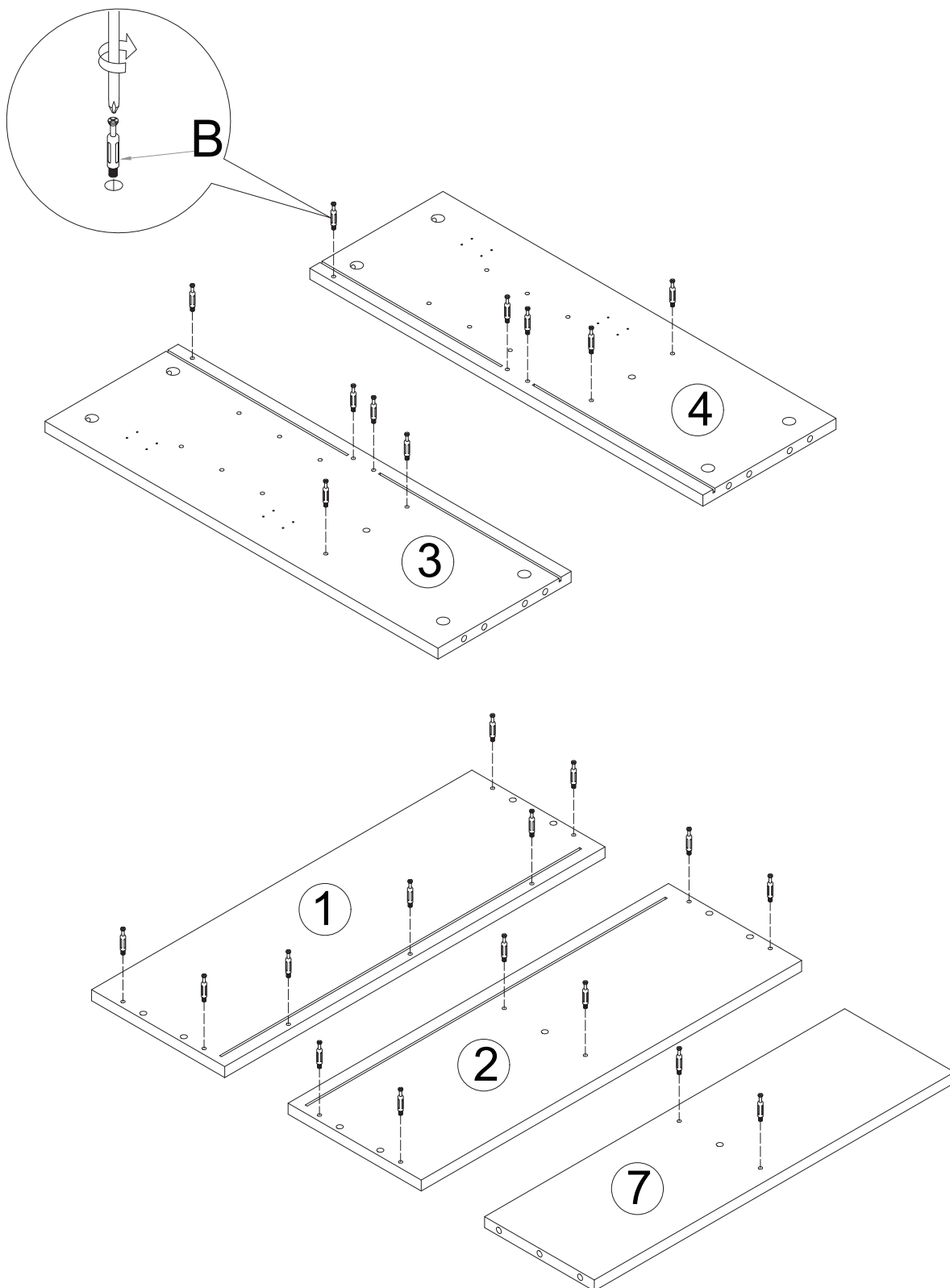


90 mins

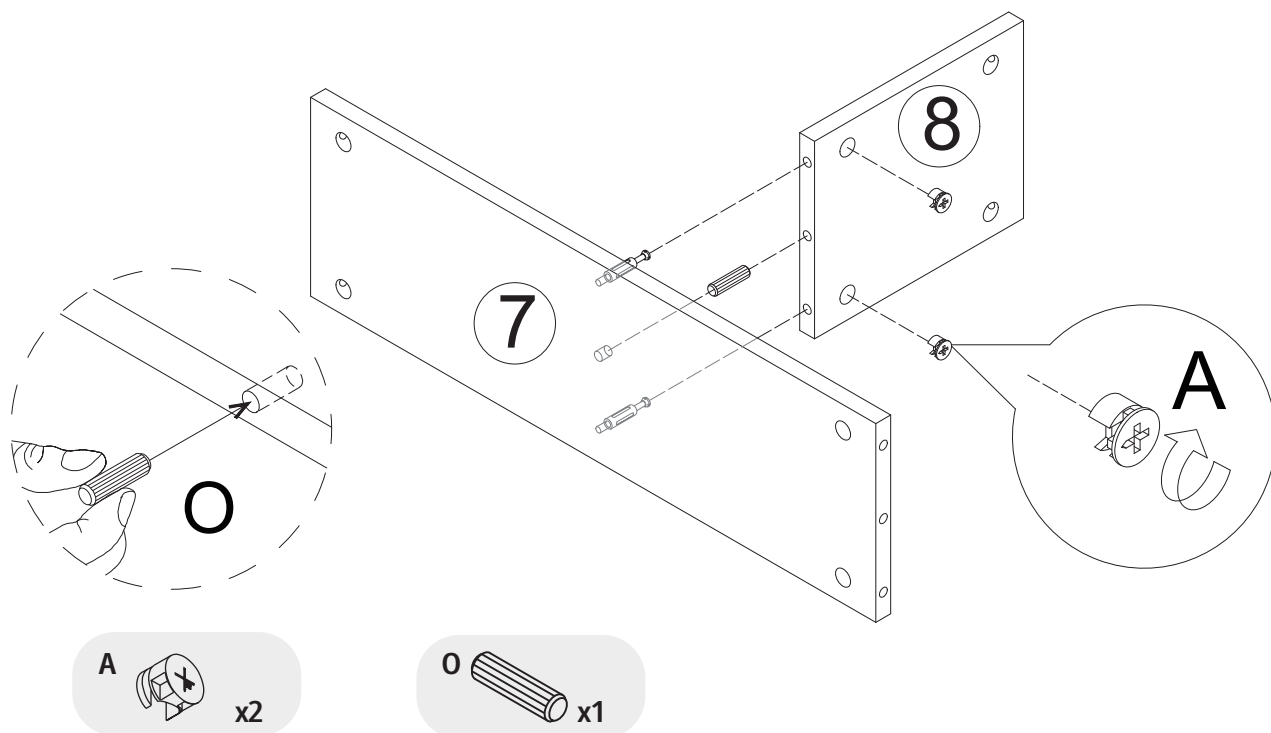


x1

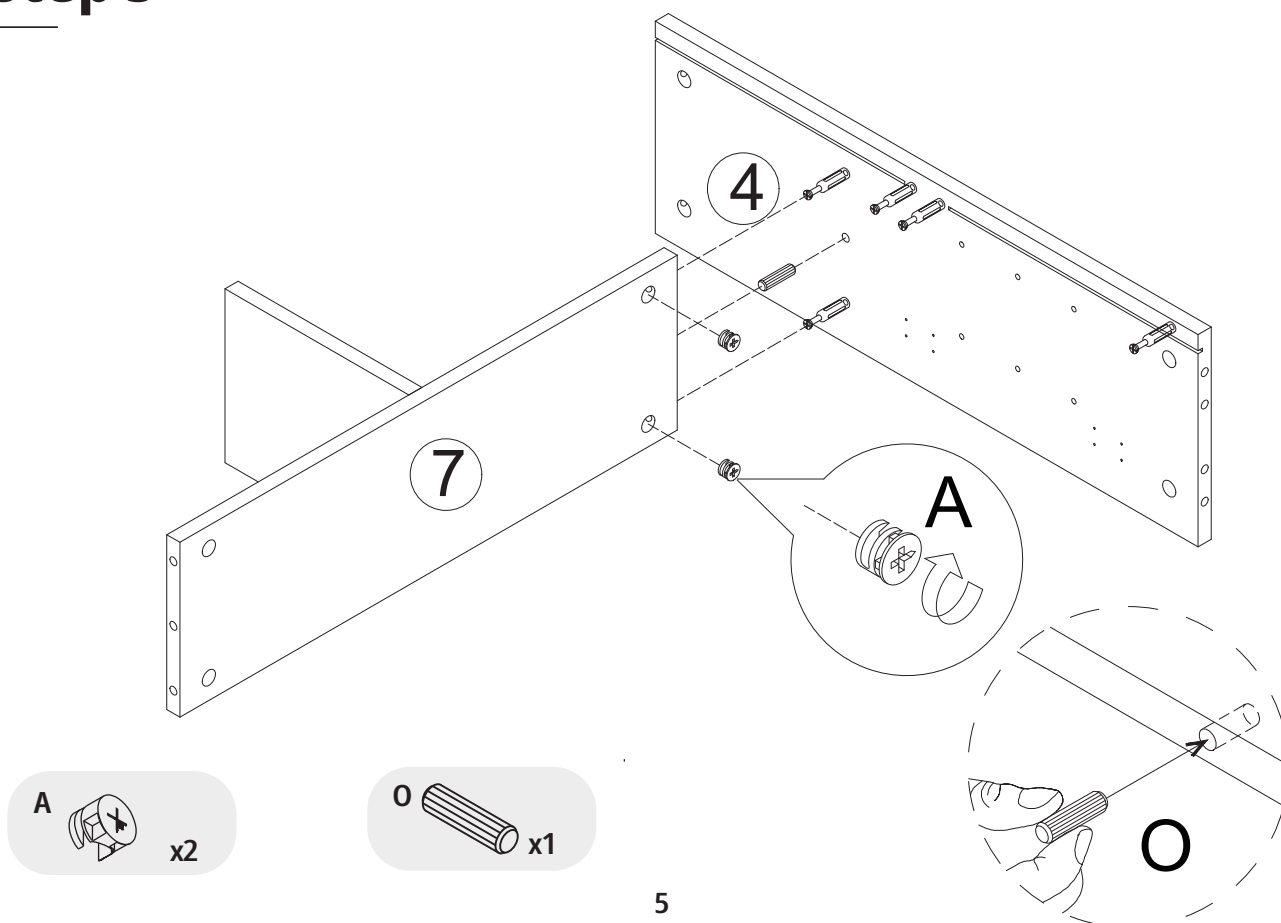
Step 1



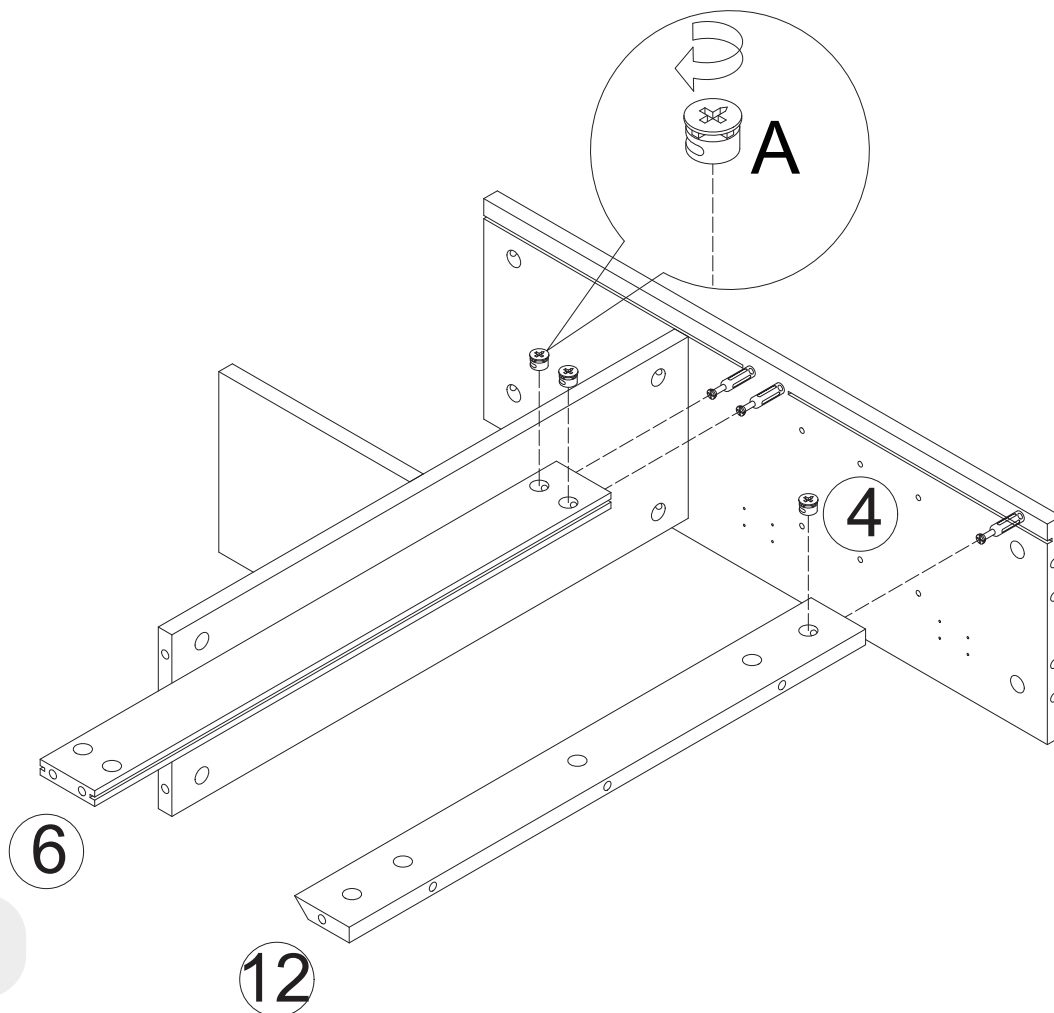
Step 2



Step 3

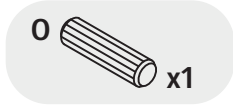
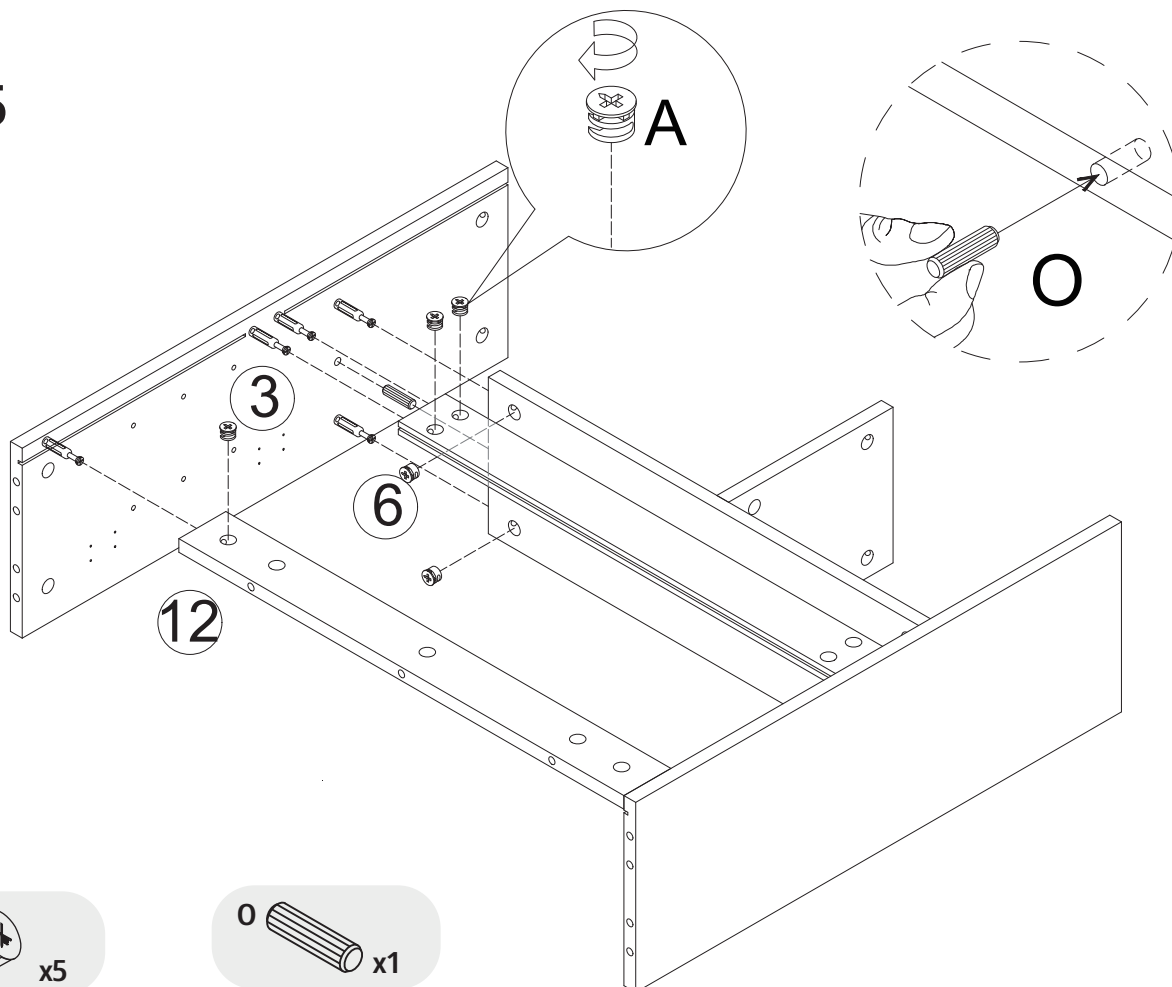


Step 4

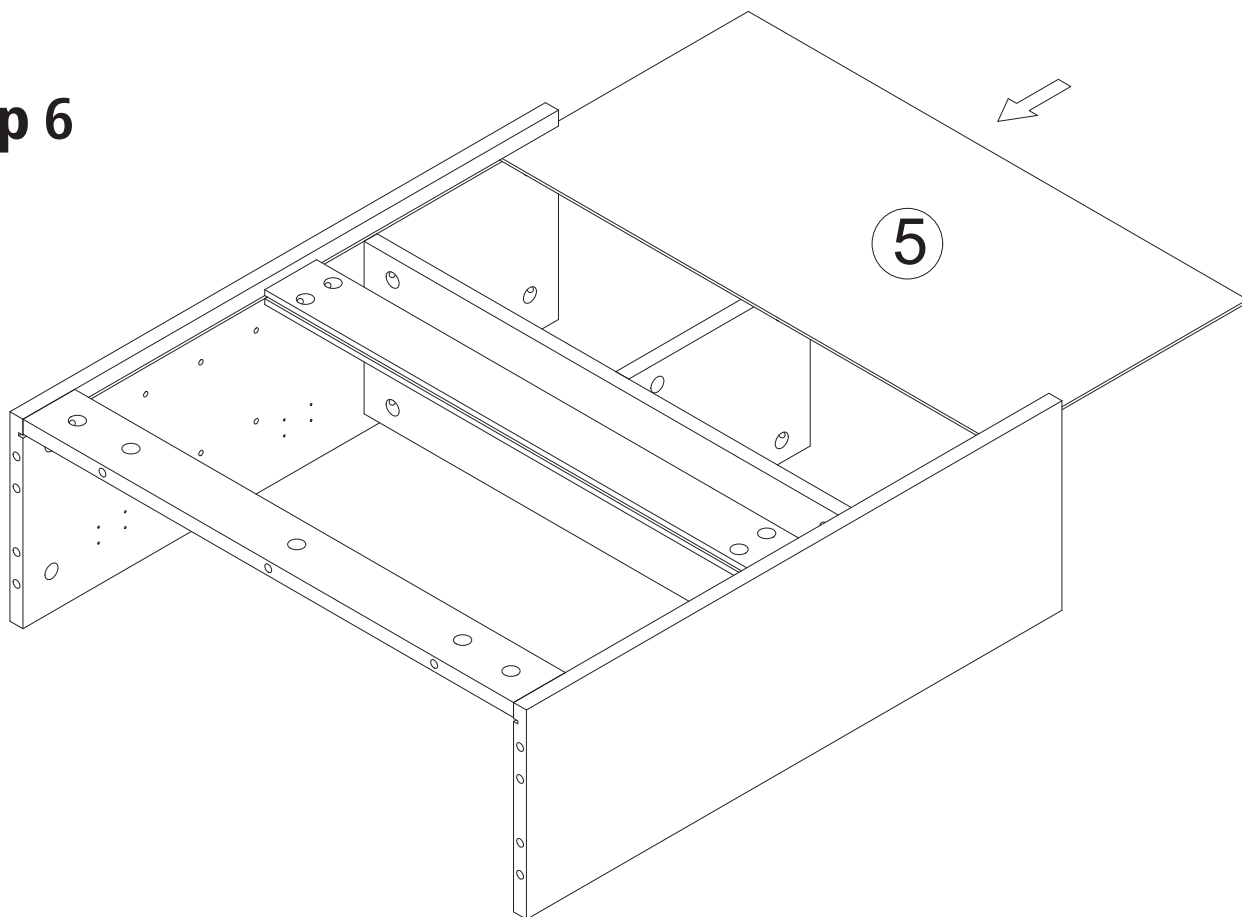


12

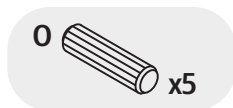
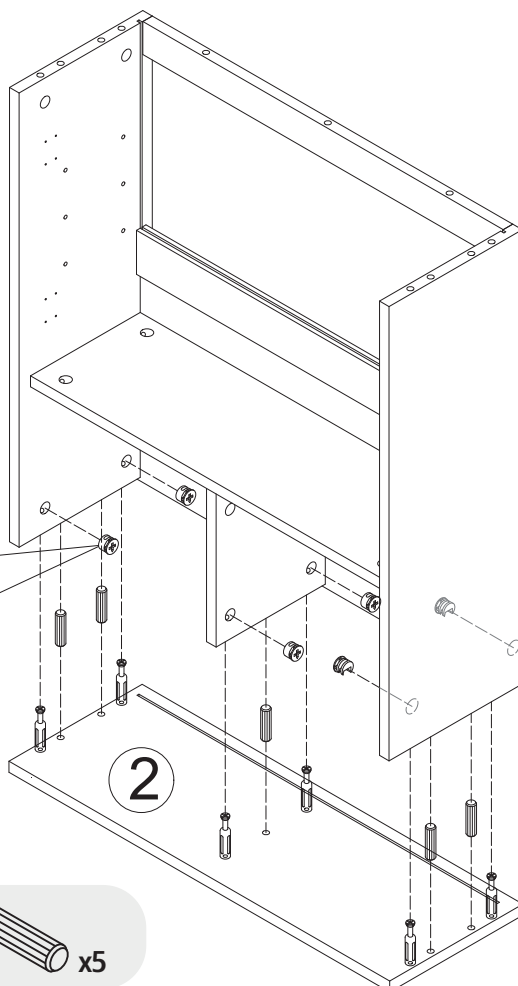
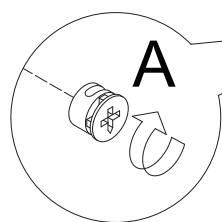
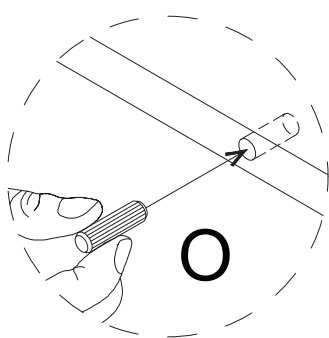
Step 5



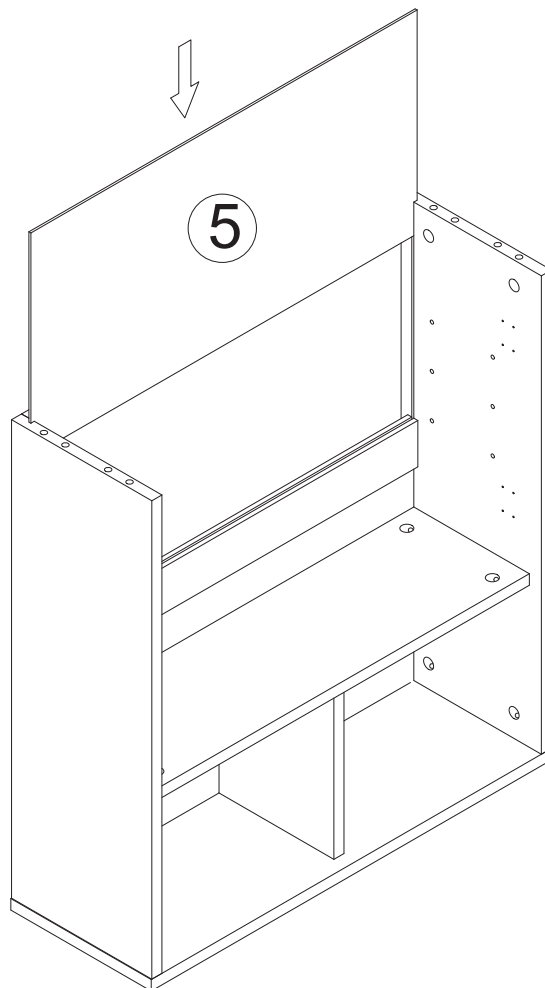
Step 6



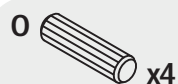
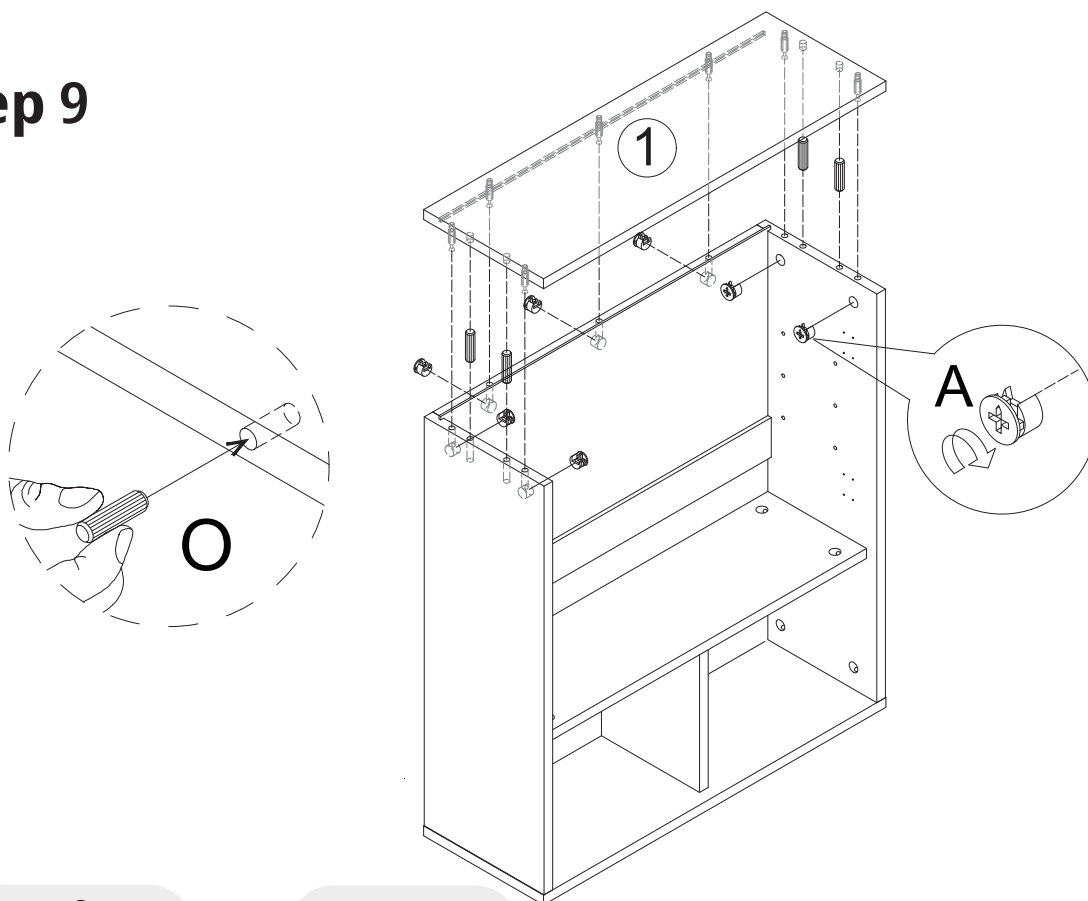
Step 7



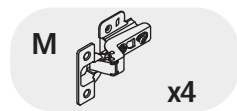
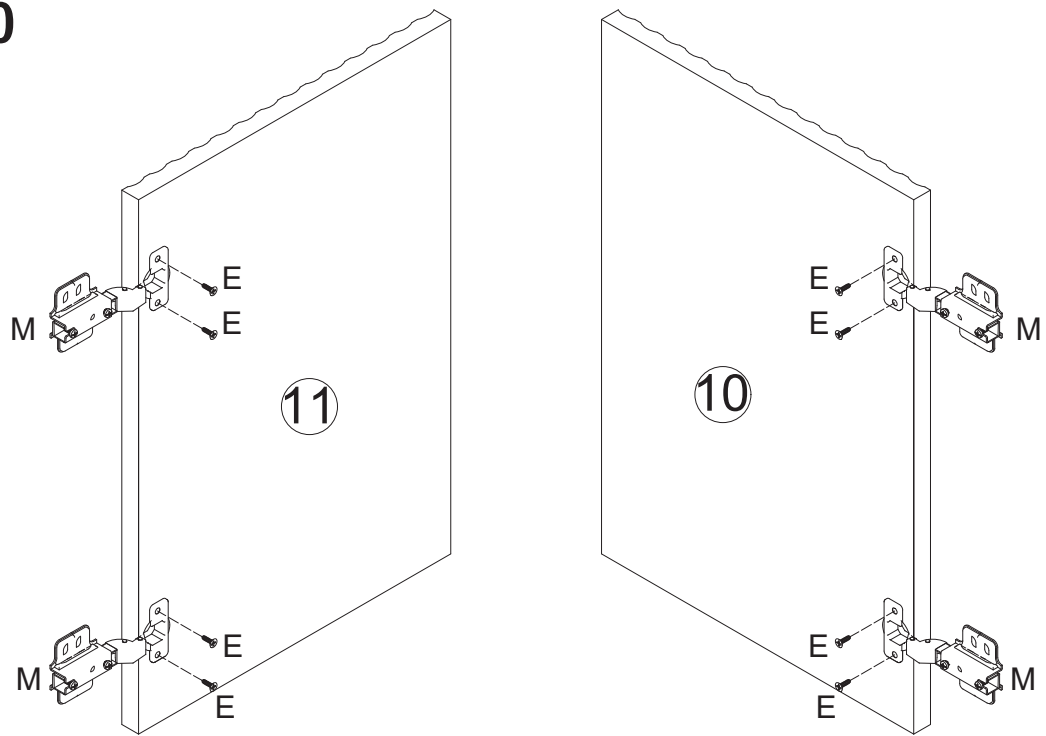
Step 8



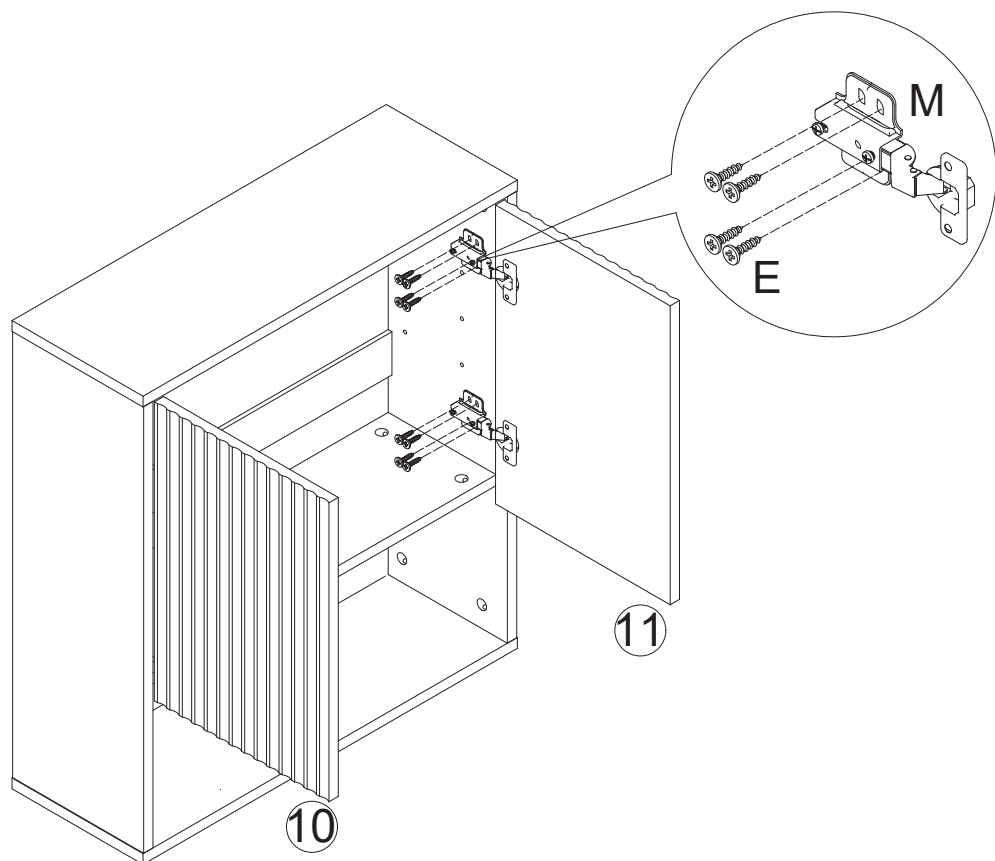
Step 9



Step 10

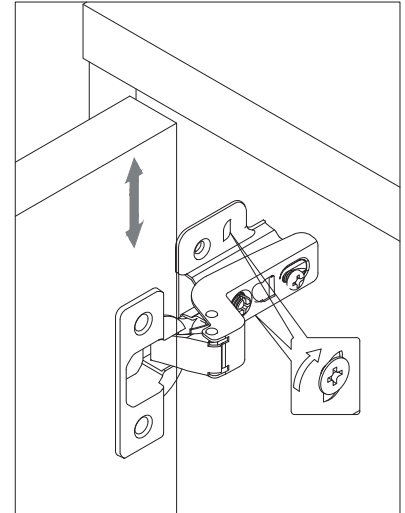
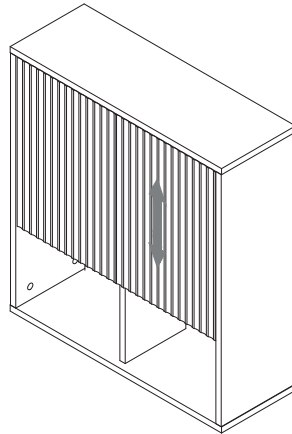


Step 11

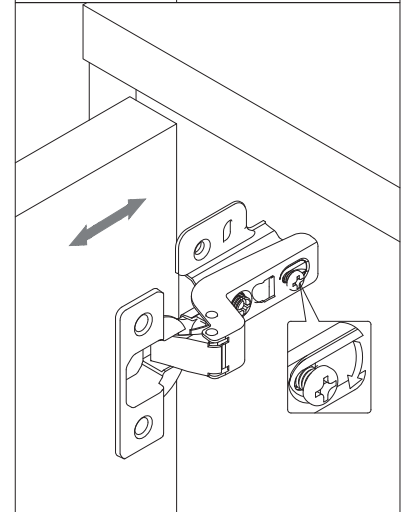
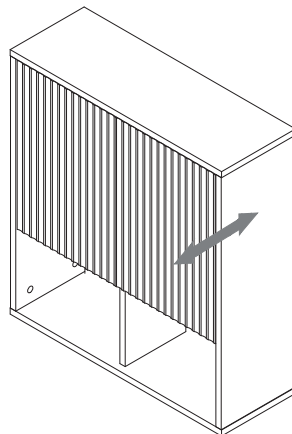


Step 12

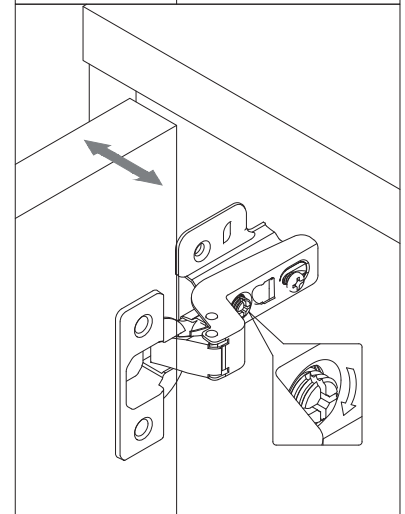
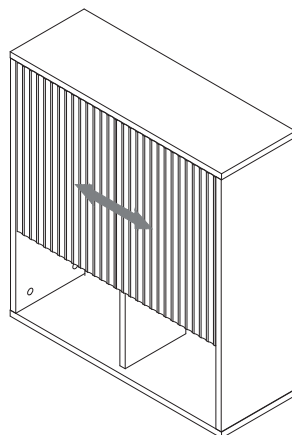
To adjust the door in an up down direction, loosen the screw on the mounting plate as shown. You may need to loosen 2 hinges in order to perform this adjustment. Push the door up or down to preferred position before retightening it.



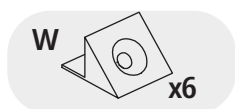
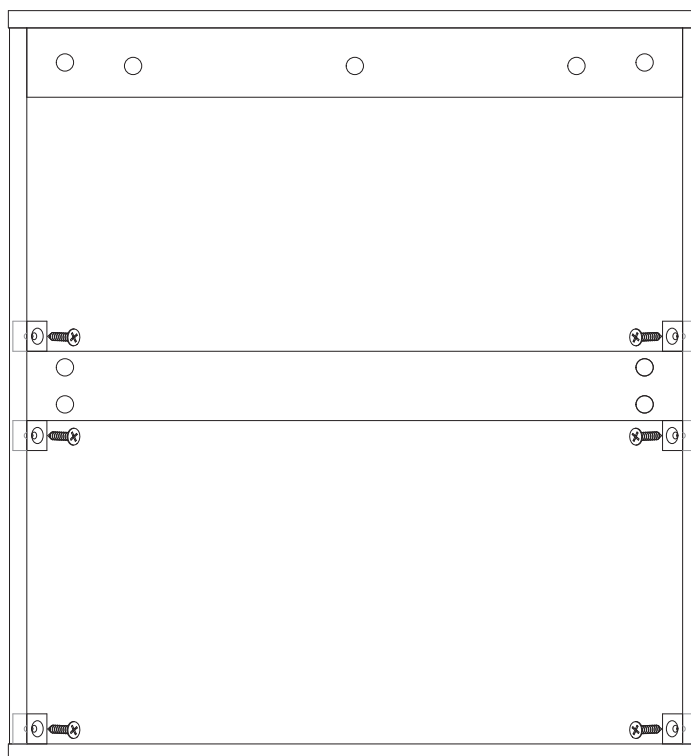
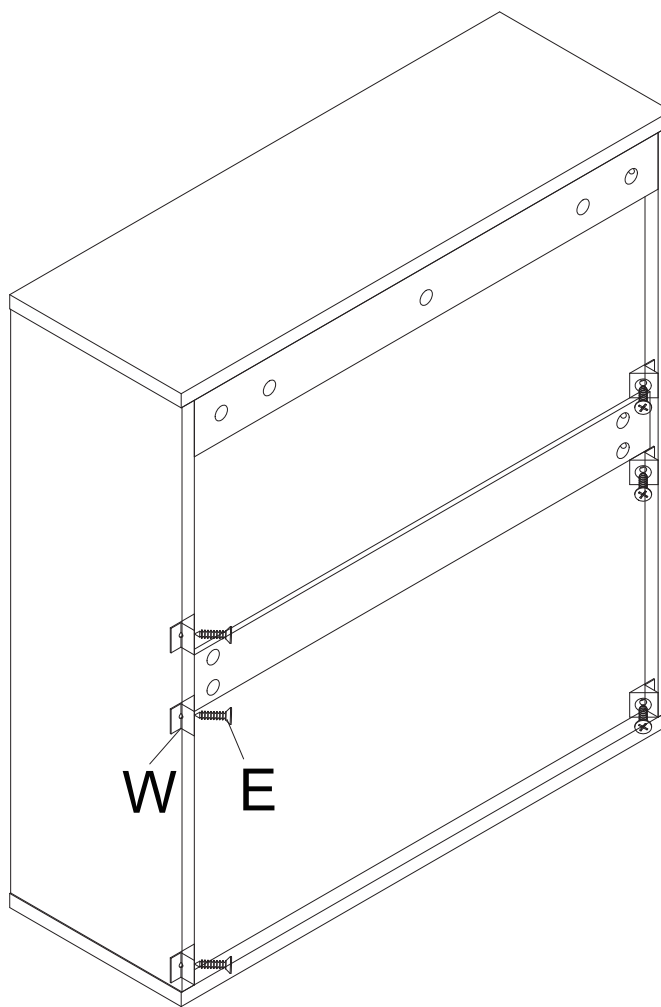
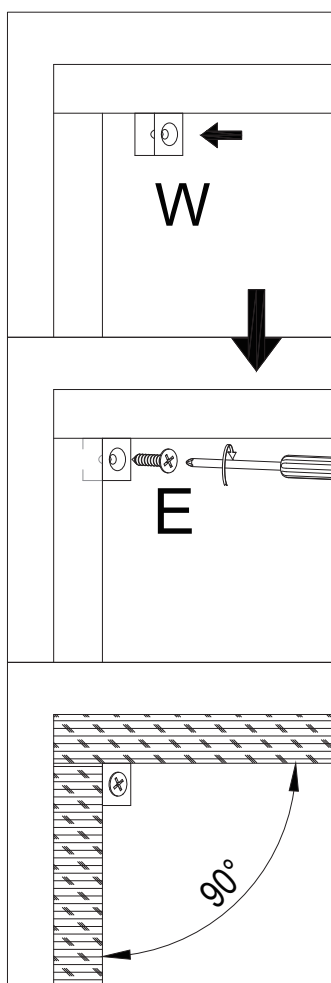
To adjust the door in a front and back direction, loosen back screw completely. Push the door and retighten the back screw.



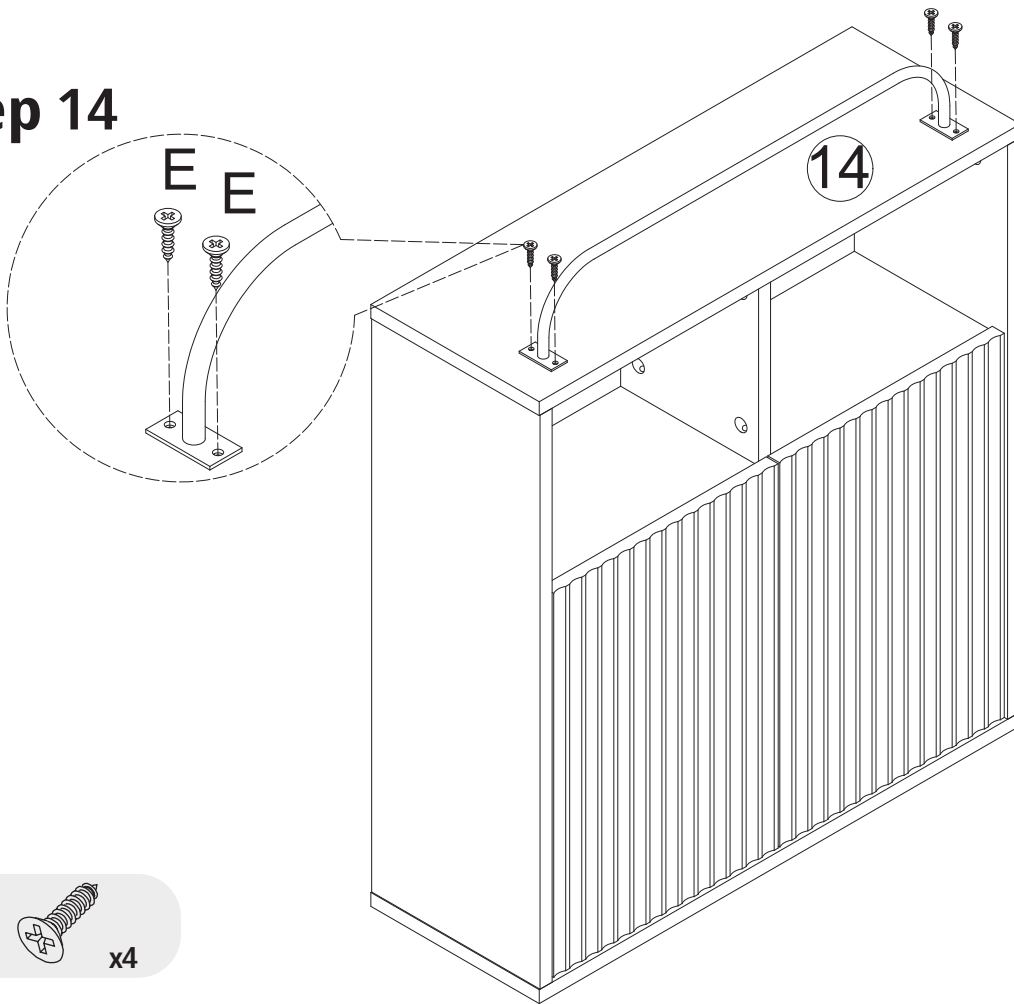
To adjust the door in a left right direction, adjust the front screw.



Step 13

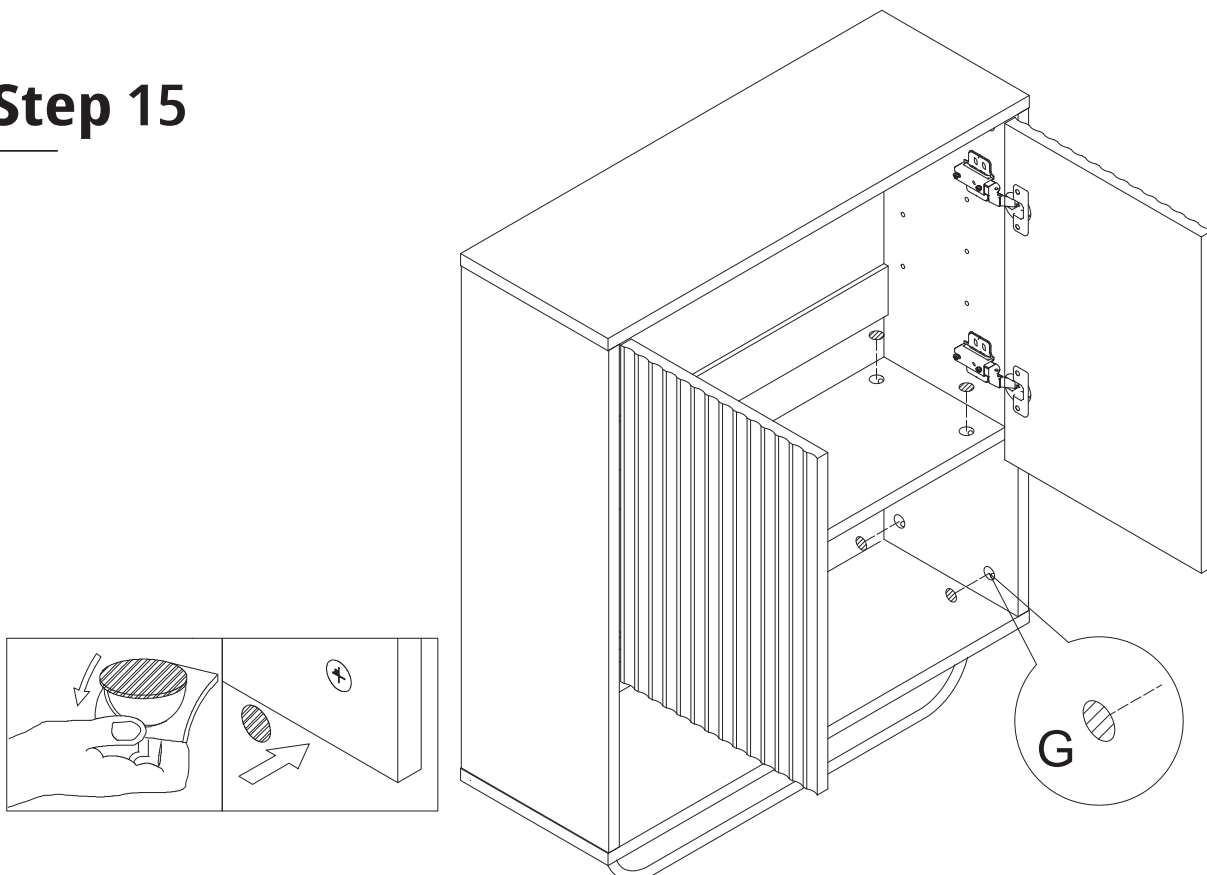


Step 14



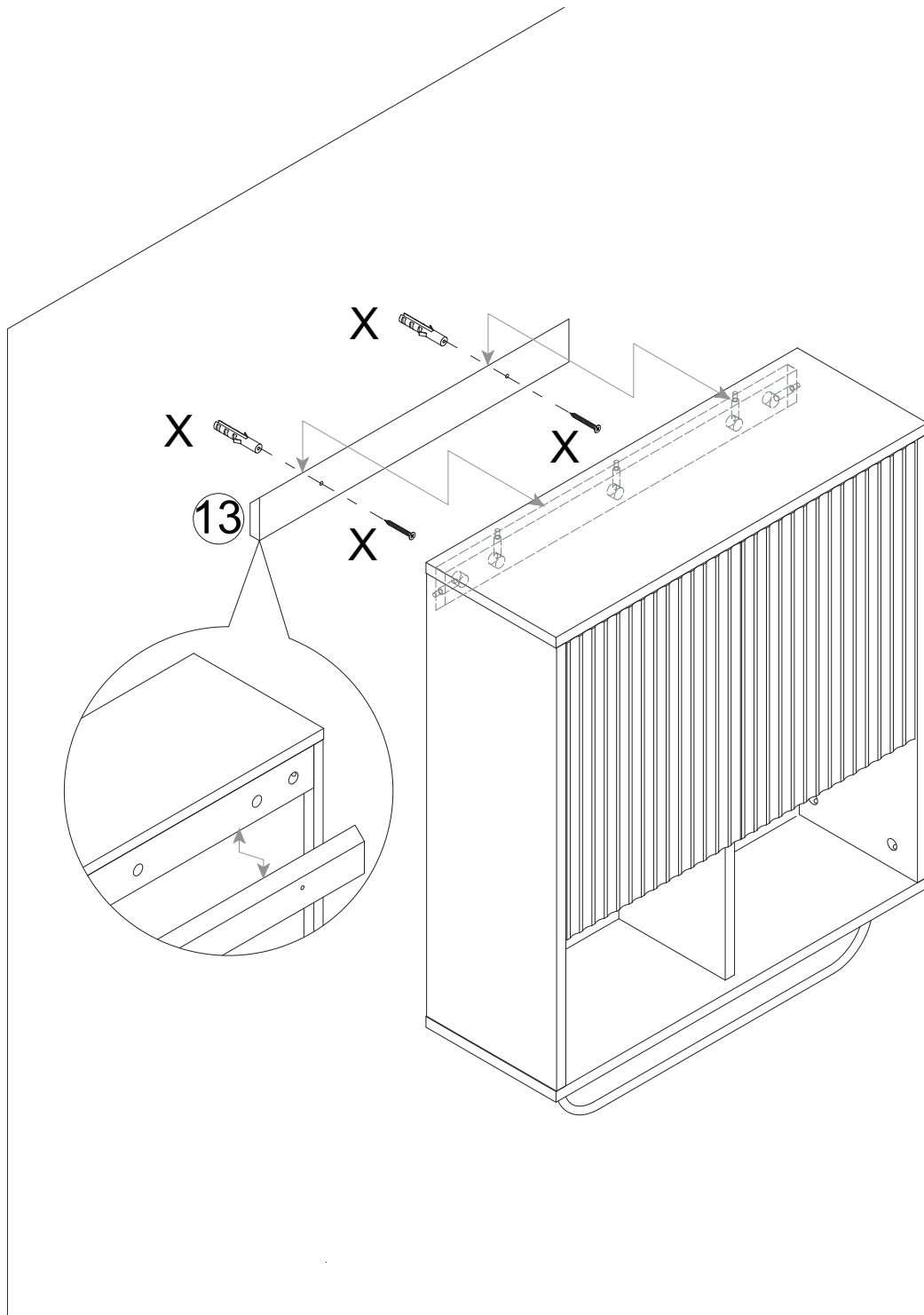
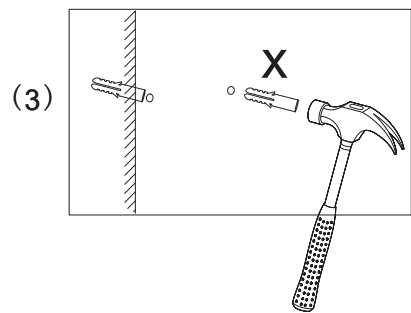
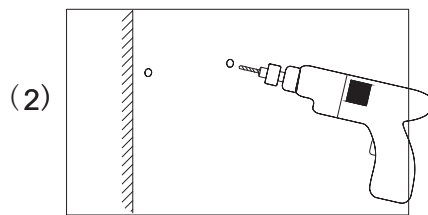
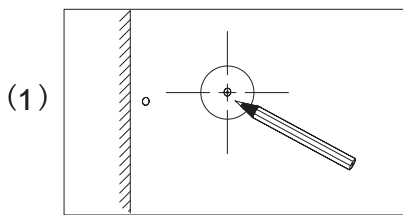
E
x4

Step 15

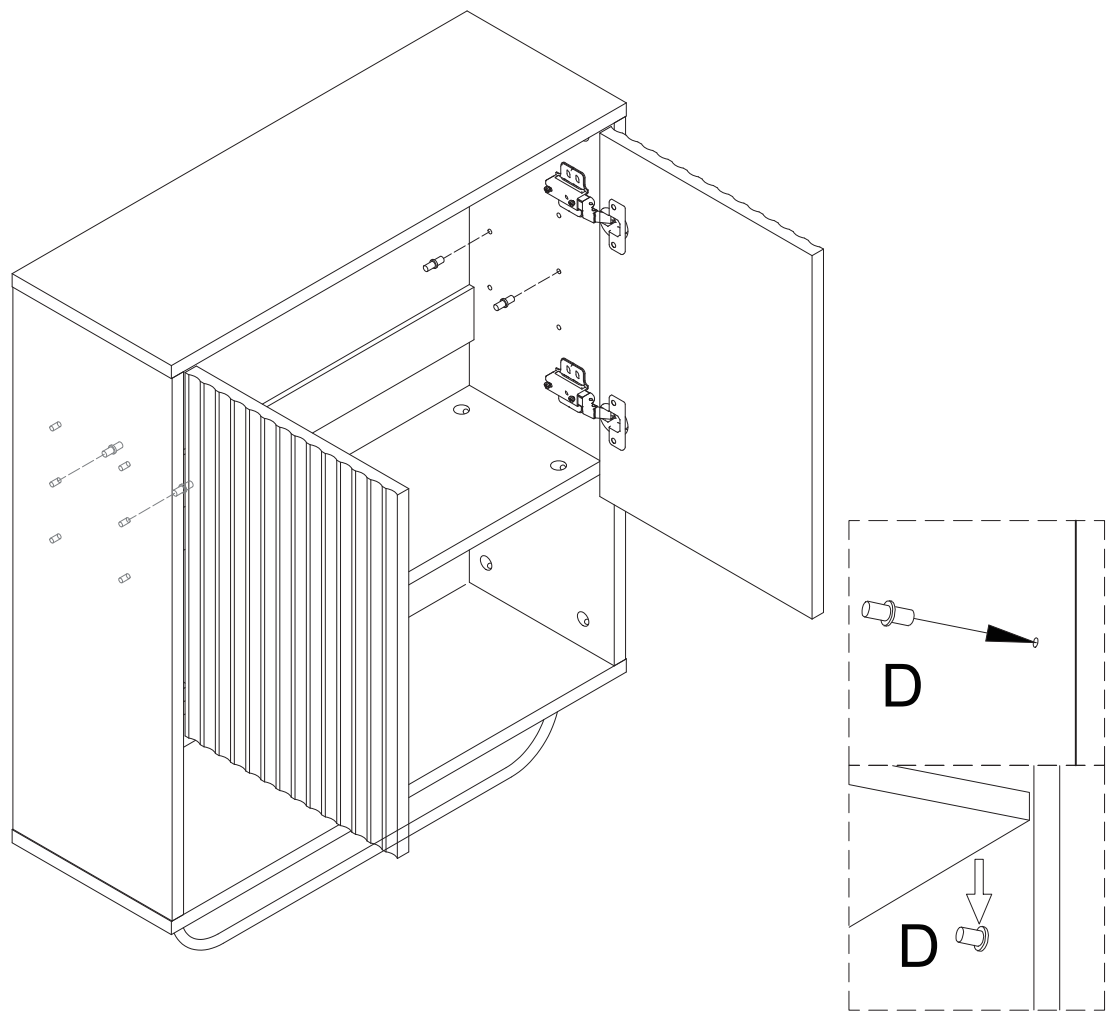


G
x25

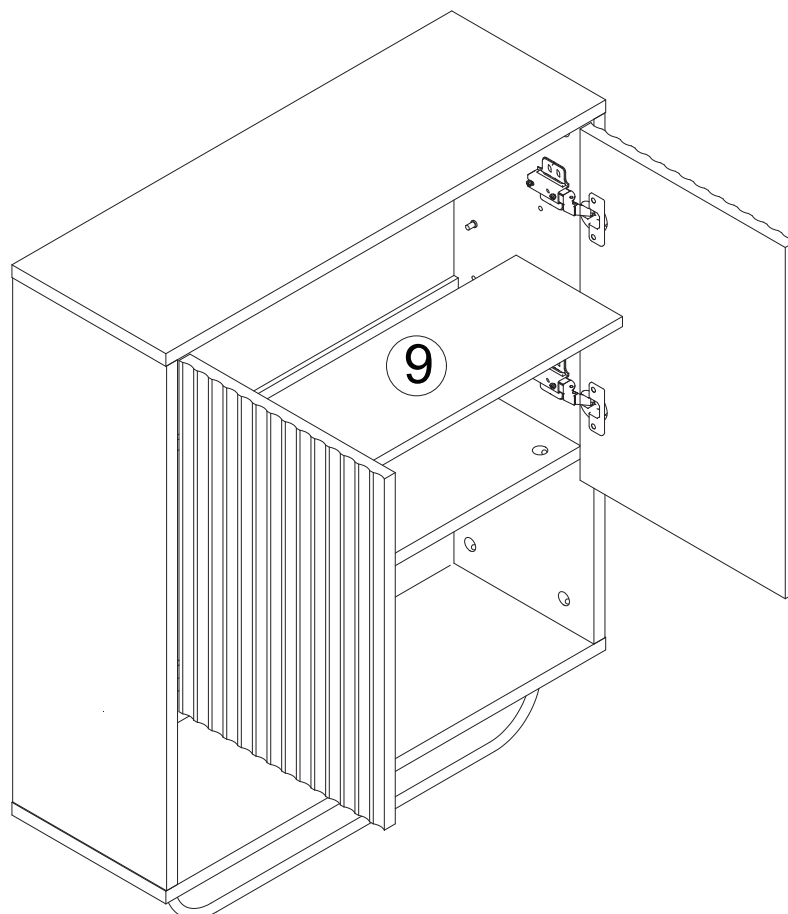
Step 16



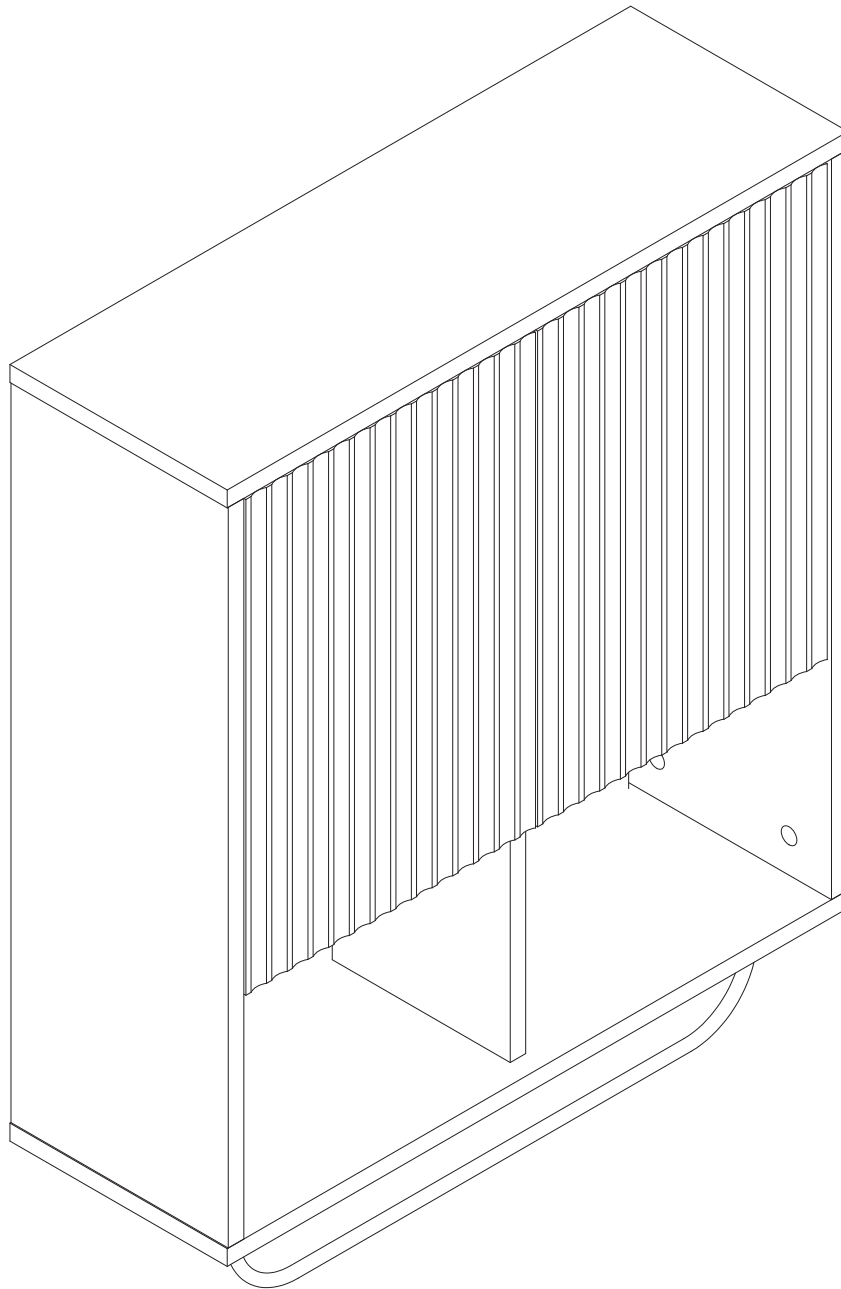
Step 17



Step 18



FINISHED!



IMPORTANT

Move your desk carefully, with 2 people lifting it to the preferred location. Clean the product with a dry cloth. You are all set!

We want your storage unit to last as long as possible, so we recommend that you tighten the screws 2 weeks after assembly and, for added safety, check the tightness of all screws every 2 months.

CARE

INSTRUCTIONS

If treated with respect and love, your furniture will last a long time. Each piece requires light maintenance to maximize its longevity.

Here are a few quick tips before using this product:

- Avoid uneven weight distribution for a long time as it may cause damage to the product's shape.
- Check and tighten the camlock and screw periodically, as it may lose over time.

How to take care of it?

- Avoid direct sunlight or use curtains or blinds to limit sun exposure to the product.
- Clean the product regularly with a dry, soft cloth.
- Avoid using the abrasive or liquid cleanser.
- We recommend constantly attaching the provided floor protector to the leg ends to protect your floor.
- Avoid placing hot objects on the tabletop surface.
- Spillage may damage the surface. Clean immediately with a dry cloth.
- We recommend using placemats or coasters underneath glasses, cups, bowls, or plates to prevent scratches to the table surface.

Follow the care instructions and look after your furniture, in return, your furniture will look after you.