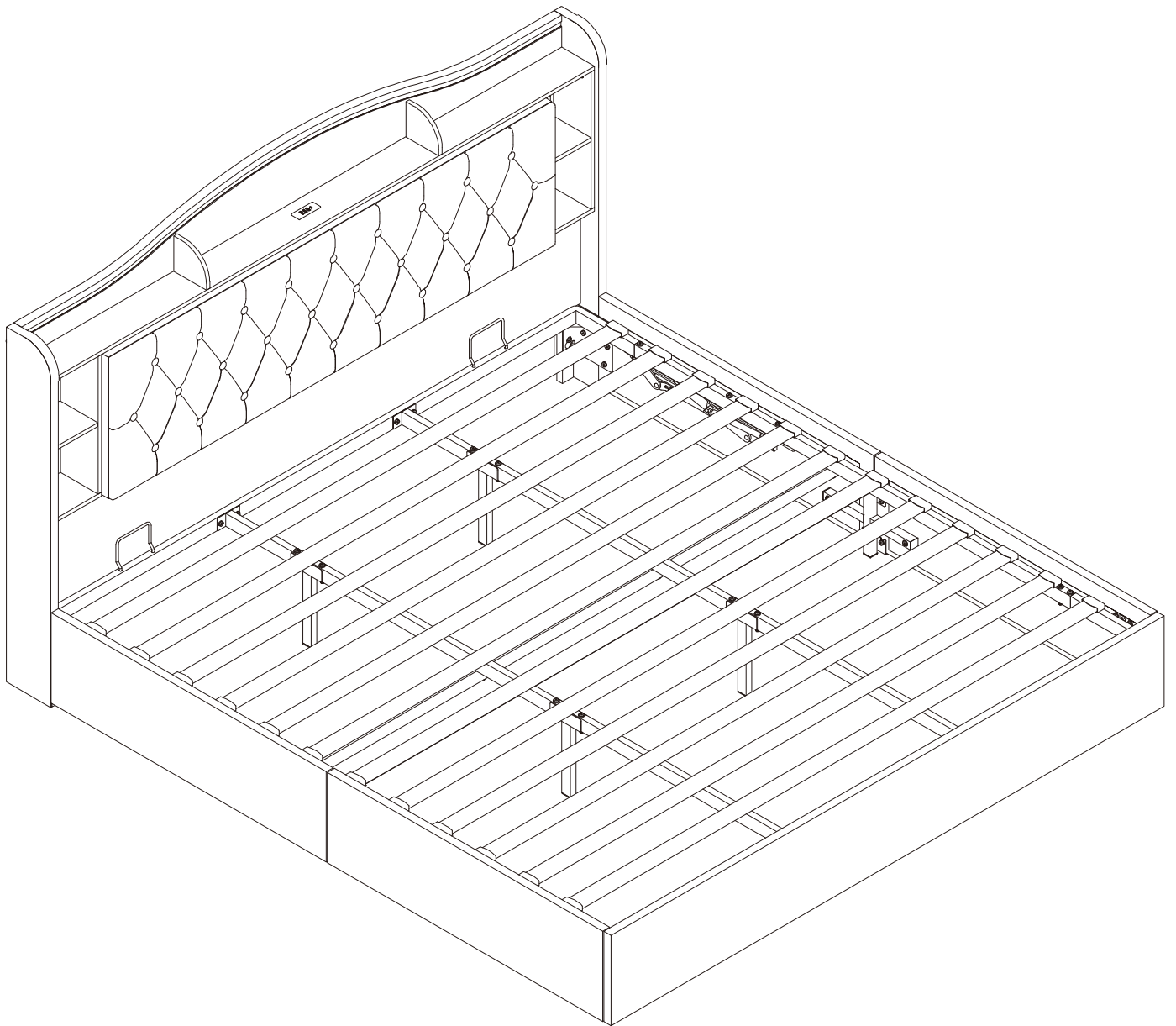


# User's Manual

---

## Bed Frame



King Size

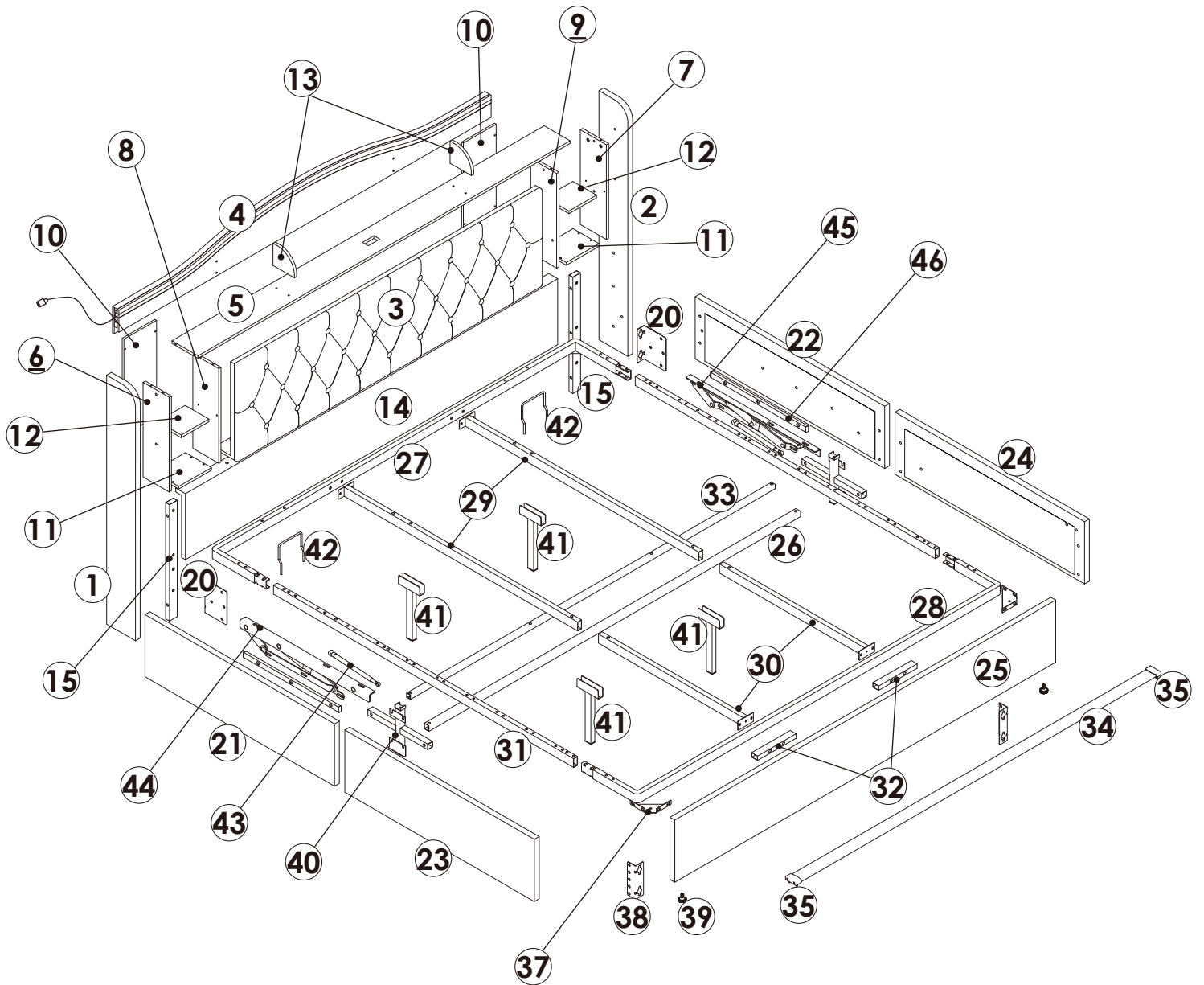
## **EN | ES**

Contact us first if you have any problems, we would do better than official service. Replacement for missing or damaged parts will be shipped ASAP!



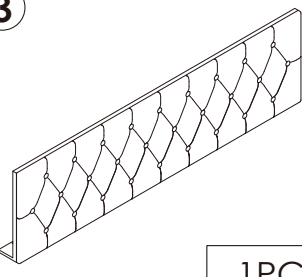
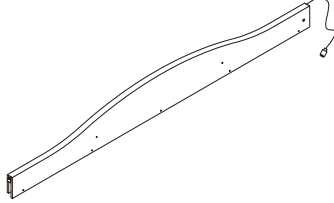
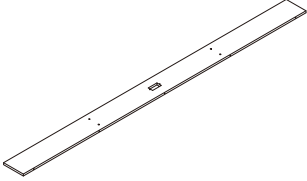
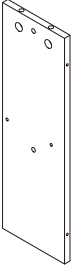




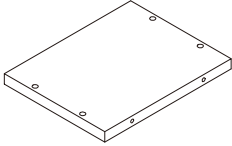
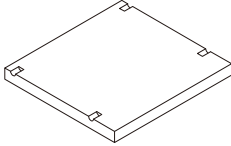
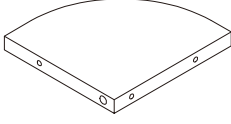
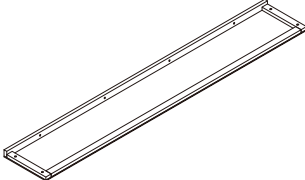
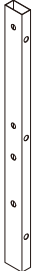
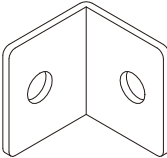
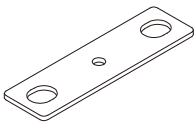
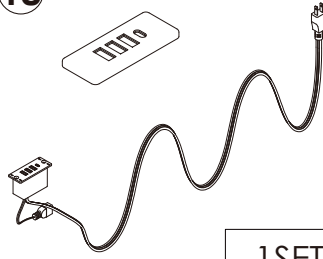
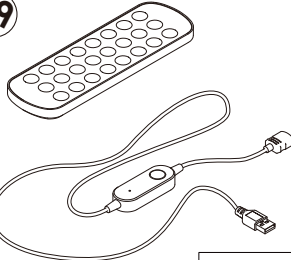
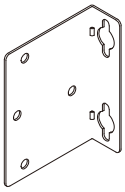
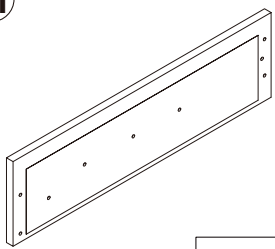
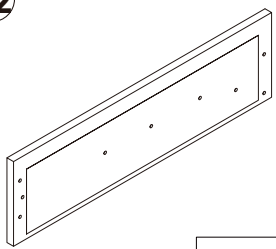
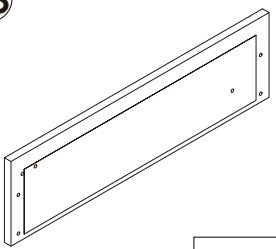
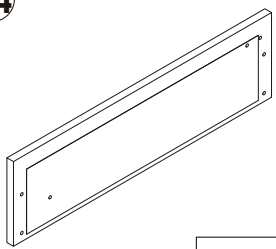
## **EN | ES**

Si tiene algún problema con su producto o pedido, póngase en contacto con nosotros antes de consultar con el servicio de atención al cliente , le resolveremos su problema con mayor brevedad. ¡Reemplazamos piezas perdidas o dañadas enviándolas rápidamente

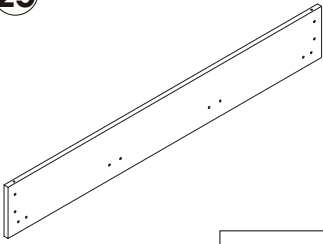
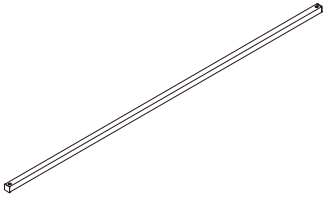
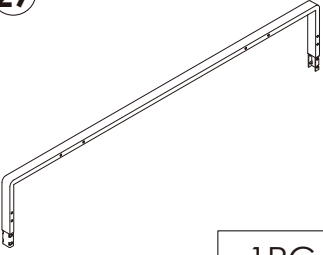

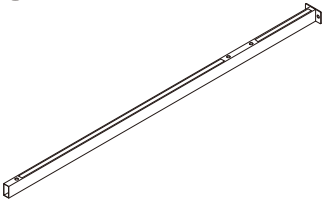
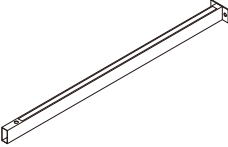
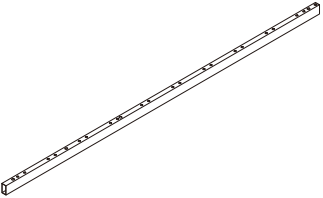

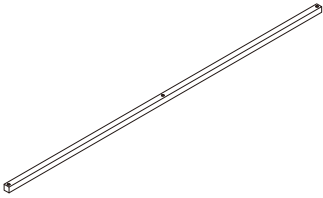
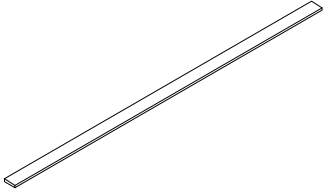
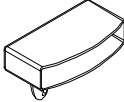
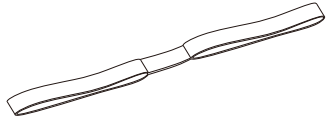
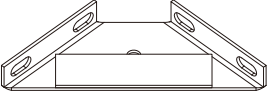
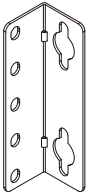
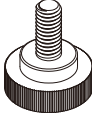
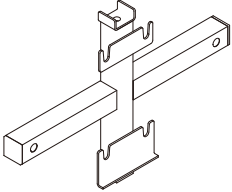
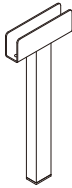
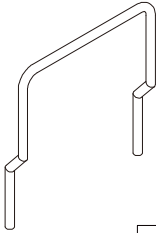
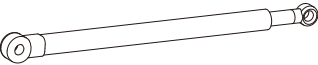
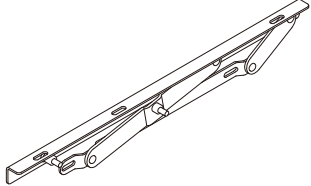
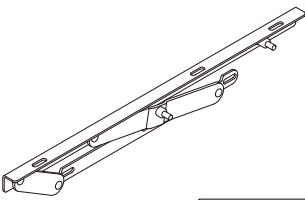
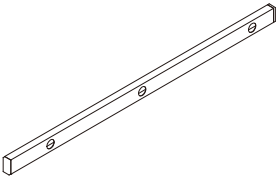
# Parts list



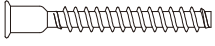
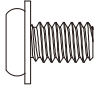
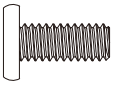
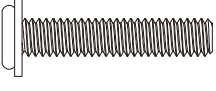
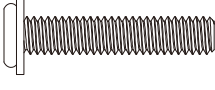
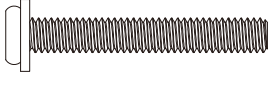



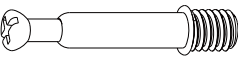



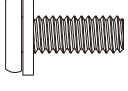
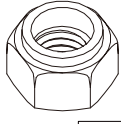
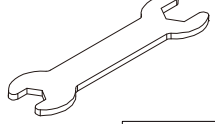
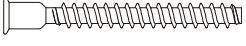
# Parts list

<p>①</p>  <p>1PC</p>	<p>②</p>  <p>1PC</p>	<p>③</p>  <p>1PC</p>	<p>④</p>  <p>1PC</p>
<p>⑤</p>  <p>1PC</p>	<p>⑥</p>  <p>1PC</p>	<p>⑦</p>  <p>1PC</p>	<p>⑧</p>  <p>1PC</p>
<p>⑨</p>  <p>1PC</p>	<p>⑩</p>  <p>2PCS</p>	<p>⑪</p>  <p>2PCS</p>	<p>⑫</p>  <p>2PCS</p>
<p>⑬</p>  <p>2PCS</p>	<p>⑭</p>  <p>1PC</p>	<p>⑮</p>  <p>2PCS</p>	<p>⑯</p>  <p>8PCS</p>
<p>⑰</p>  <p>2PCS</p>	<p>⑱</p>  <p>1SET</p>	<p>⑲</p>  <p>1SET</p>	<p>⑳</p>  <p>2PCS</p>
<p>㉑</p>  <p>1PC</p>	<p>㉒</p>  <p>1PC</p>	<p>㉓</p>  <p>1PC</p>	<p>㉔</p>  <p>1PC</p>

# Parts list

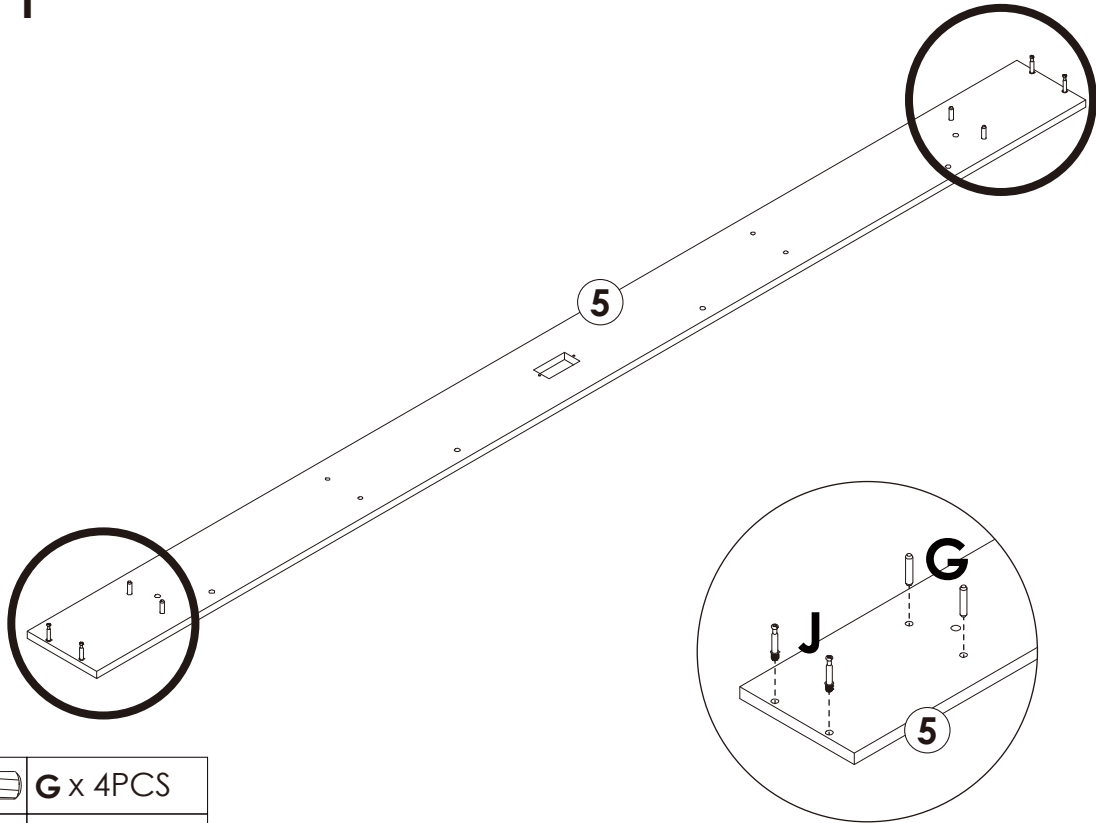
<p><b>25</b></p>  <p>1PC</p>	<p><b>26</b></p>  <p>1PC</p>	<p><b>27</b></p>  <p>1PC</p>	<p><b>28</b></p>  <p>1PC</p>
<p><b>29</b></p>  <p>2PCS</p>	<p><b>30</b></p>  <p>2PCS</p>	<p><b>31</b></p>  <p>2PCS</p>	<p><b>32</b></p>  <p>2PCS</p>
<p><b>33</b></p>  <p>1PC</p>	<p><b>34</b></p>  <p>12PCS</p>	<p><b>35</b></p>  <p>24PCS</p>	<p><b>36</b></p>  <p>2PCS</p>
<p><b>37</b></p>  <p>2PCS</p>	<p><b>38</b></p>  <p>2PCS</p>	<p><b>39</b></p>  <p>2PCS</p>	<p><b>40</b></p>  <p>2PCS</p>
<p><b>41</b></p>  <p>4PCS</p>	<p><b>42</b></p>  <p>2PCS</p>	<p><b>43</b></p>  <p>850N 2PCS</p>	<p><b>44</b></p>  <p>1PC</p>
<p><b>45</b></p>  <p>1PC</p>	<p><b>46</b></p>  <p>2PCS</p>		


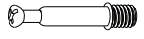

## Hardware List

<p><b>A</b></p>  <p>M5×35mm    29+2PCS</p>	<p><b>B</b></p>  <p>1/4x10mm    12+2PCS</p>	<p><b>C</b></p>  <p>1/4x19mm    8+2PCS</p>	<p><b>D</b></p>  <p>5/16x35mm Siver    4+1PCS</p>
<p><b>E</b></p>  <p>5/16x35mm    24+2PCS</p>	<p><b>F</b></p>  <p>5/16×55mm    28+2PCS</p>	<p><b>G</b></p>  <p>Ø6x30mm    6+1PCS</p>	<p><b>H</b></p>  <p>M3×10mm    2+1PCS</p>
<p><b>I</b></p>  <p>Ø5x16mm    8+1PCS</p>	<p><b>J</b></p>  <p>Ø6x35mm    4+1PCS</p>	<p><b>K</b></p>  <p>Ø15x10mm    4+1PCS</p>	<p><b>L</b></p>  <p>M4x100mm    1PC</p>
<p><b>M</b></p>  <p>M3    1PC</p>	<p><b>N</b></p>  <p>5/16x16mm    44+4PCS</p>	<p><b>O</b></p>  <p>5/16    14+2PCS</p>	<p><b>P</b></p>  <p>1/4x5/16    1PC</p>
<p><b>Q</b></p>  <p>M5×50mm    2+1PCS</p>			

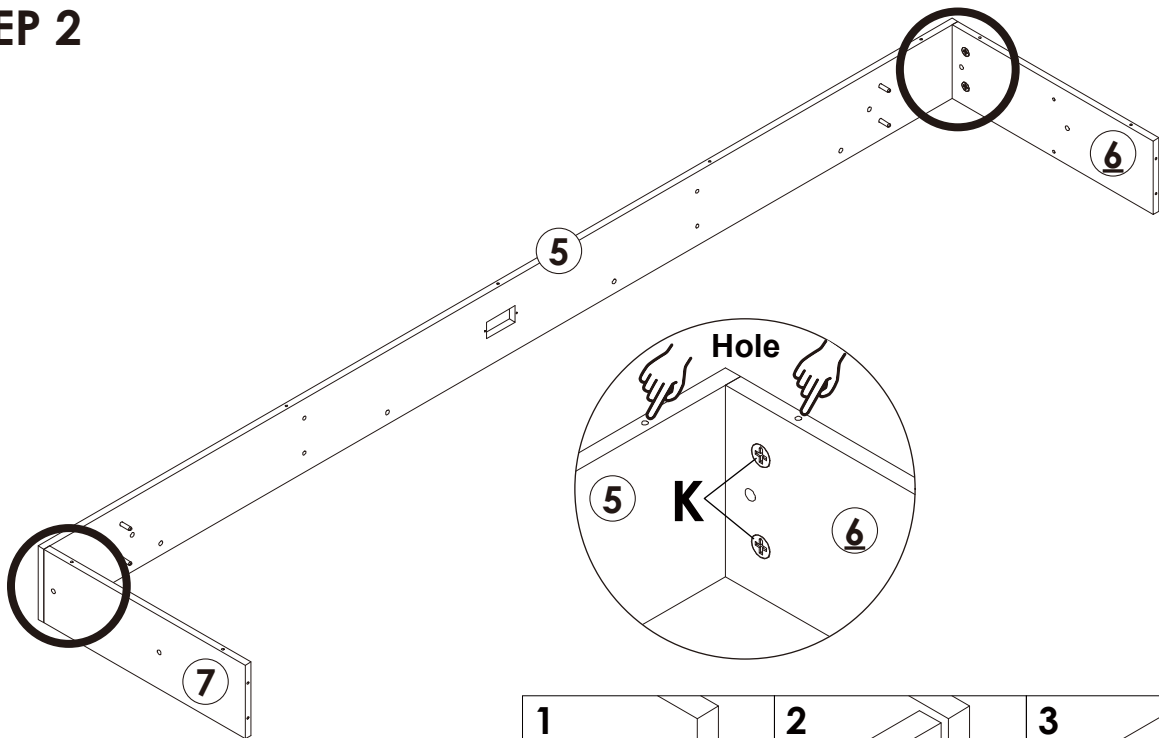
# Assembly Instruction of (Bed)



## STEP 1

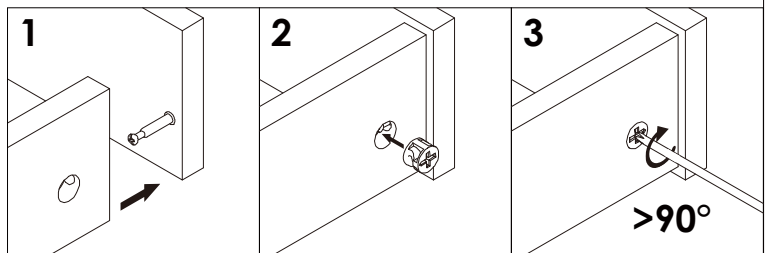


	<b>G</b> x 4PCS
	<b>J</b> x 4PCS
	Not Provided

## STEP 2

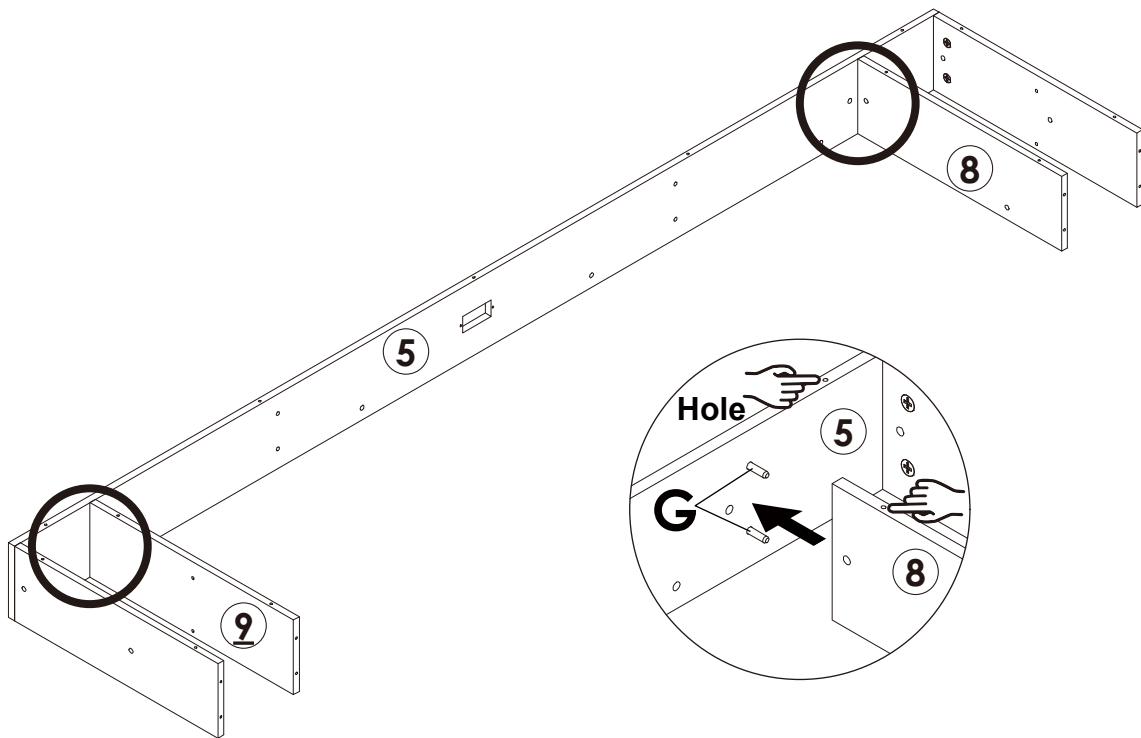


	<b>K</b> x 4PCS
	Not Provided

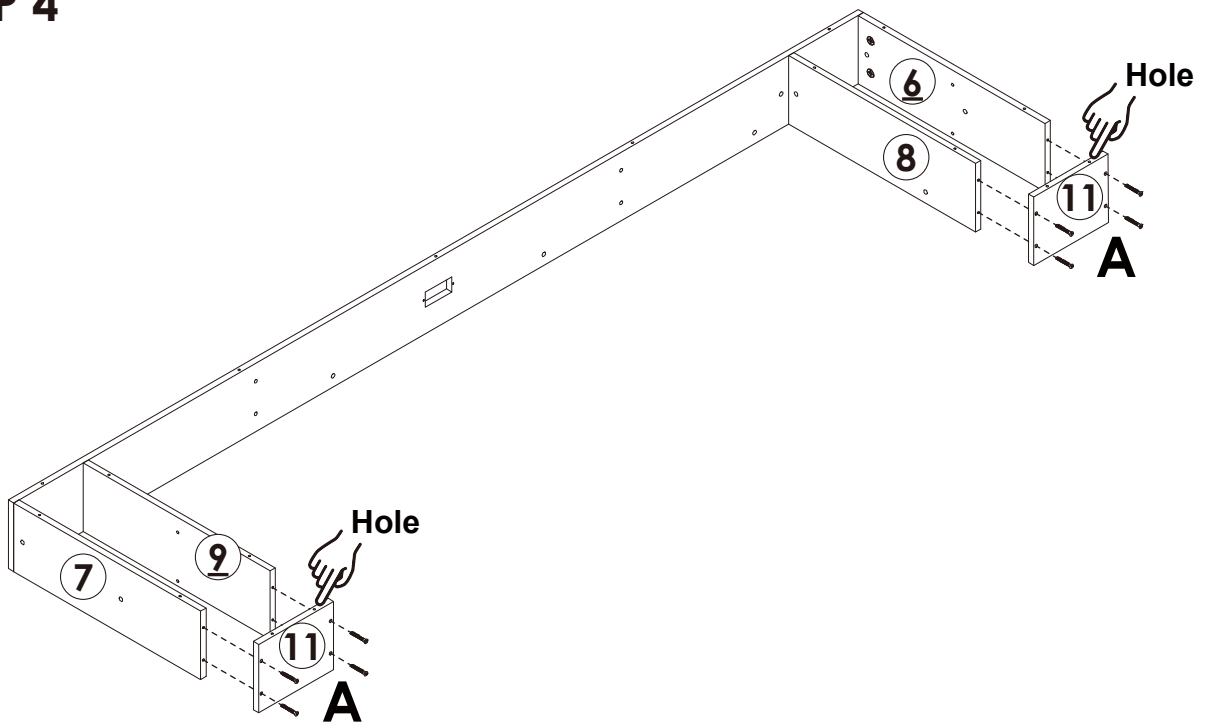




# Assembly Instruction of (Bed)

## STEP 3



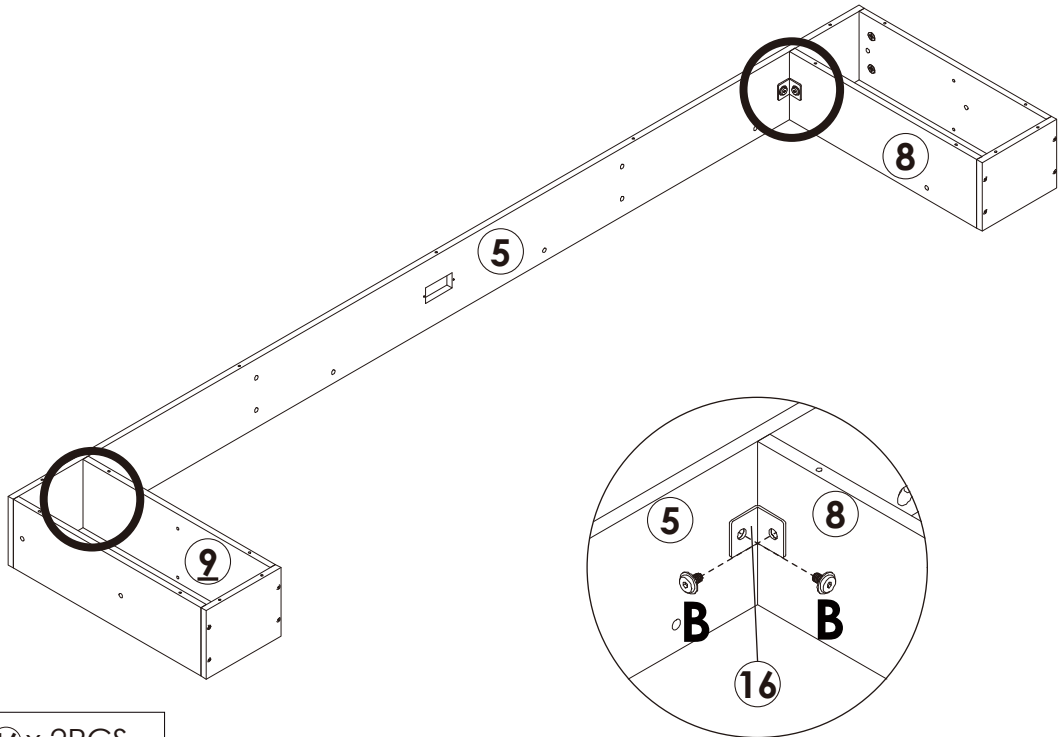
## STEP 4


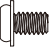



	<b>A</b> x 8PCS
	<b>M</b> x 1PC

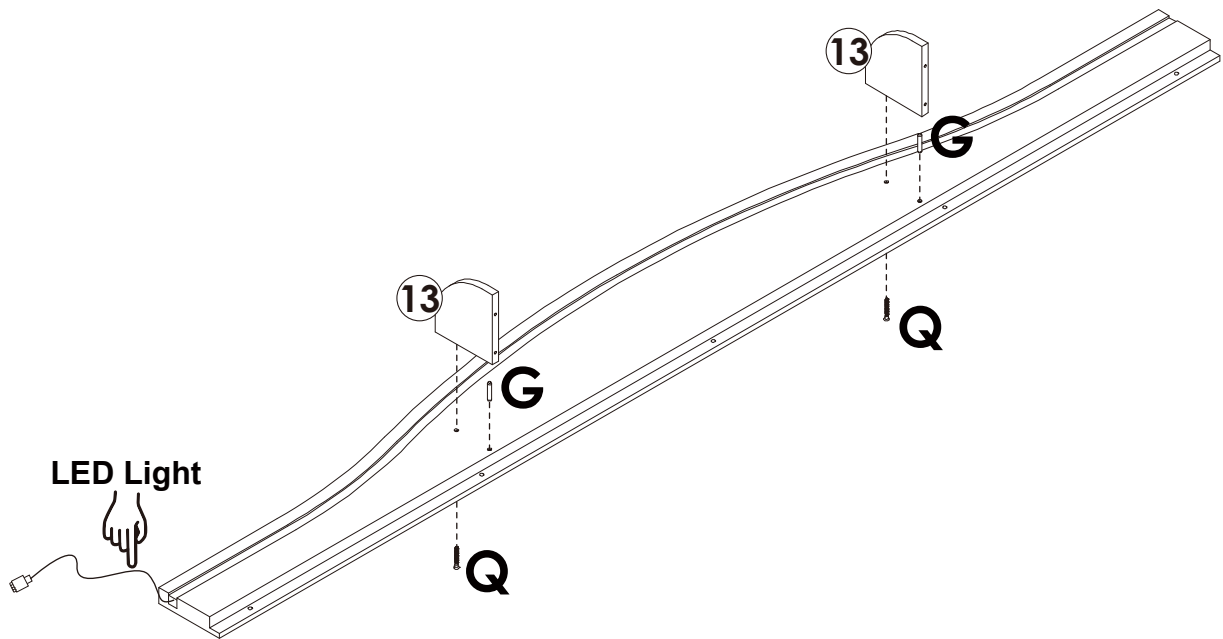
# Assembly Instruction of (Bed)




## STEP 5



	16 x 2PCS
	B x 4PCS
	L x 1PC

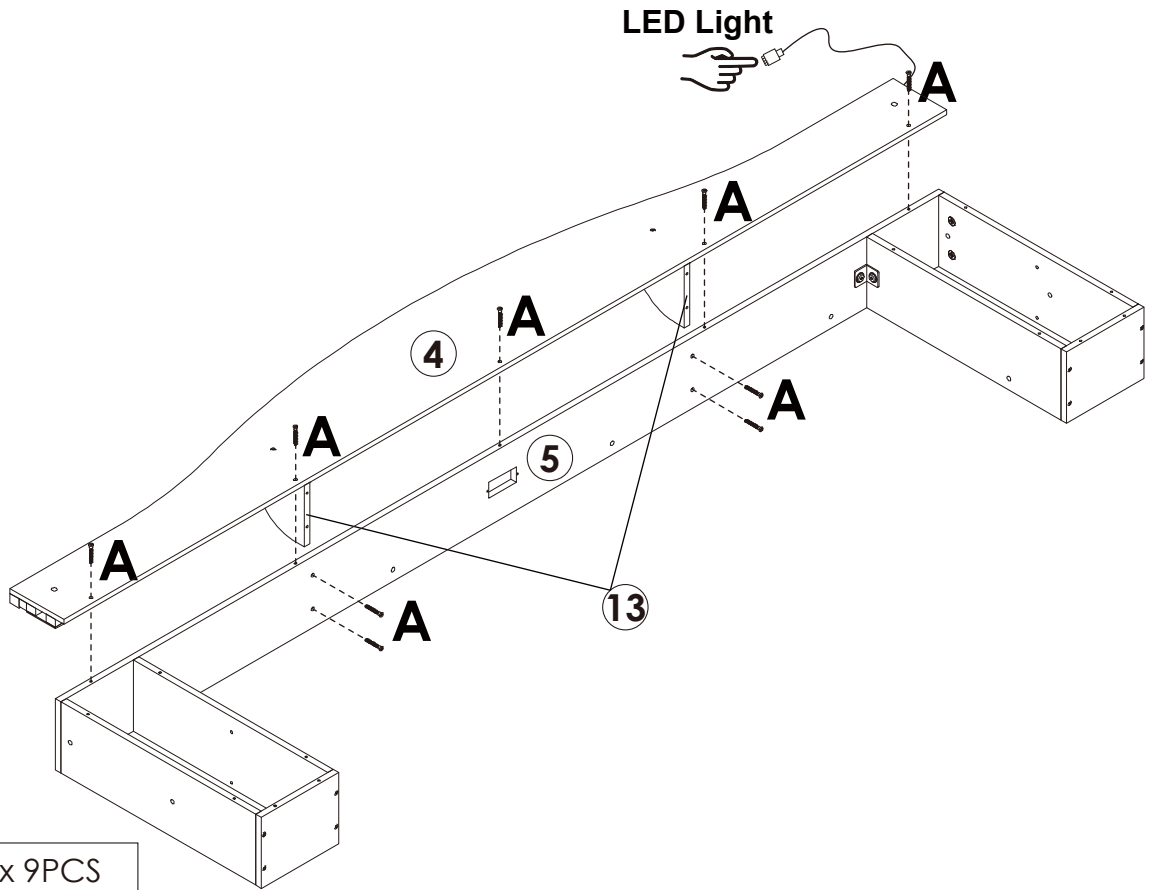
## STEP 6


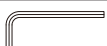


	Q x 2PCS
	G x 2PCS
	M x 1PC

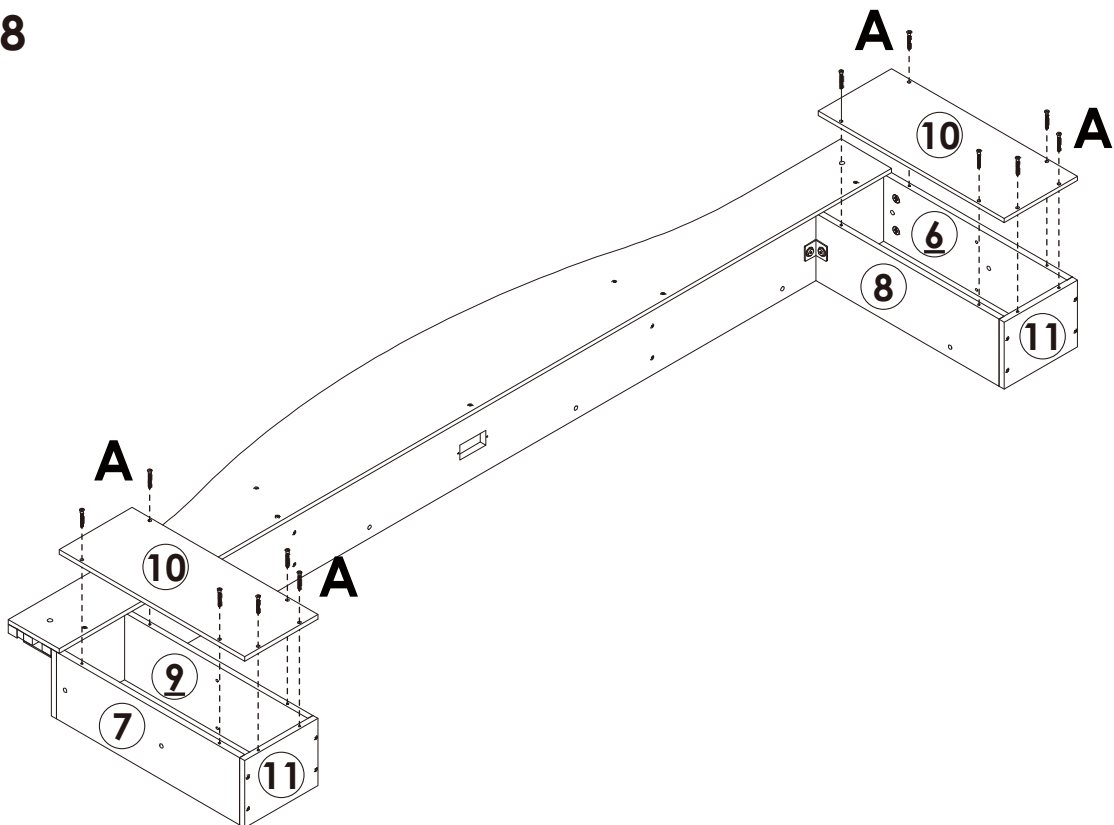
# Assembly Instruction of (Bed)



## STEP 7



	<b>A</b> x 9PCS
	<b>M</b> x 1PC

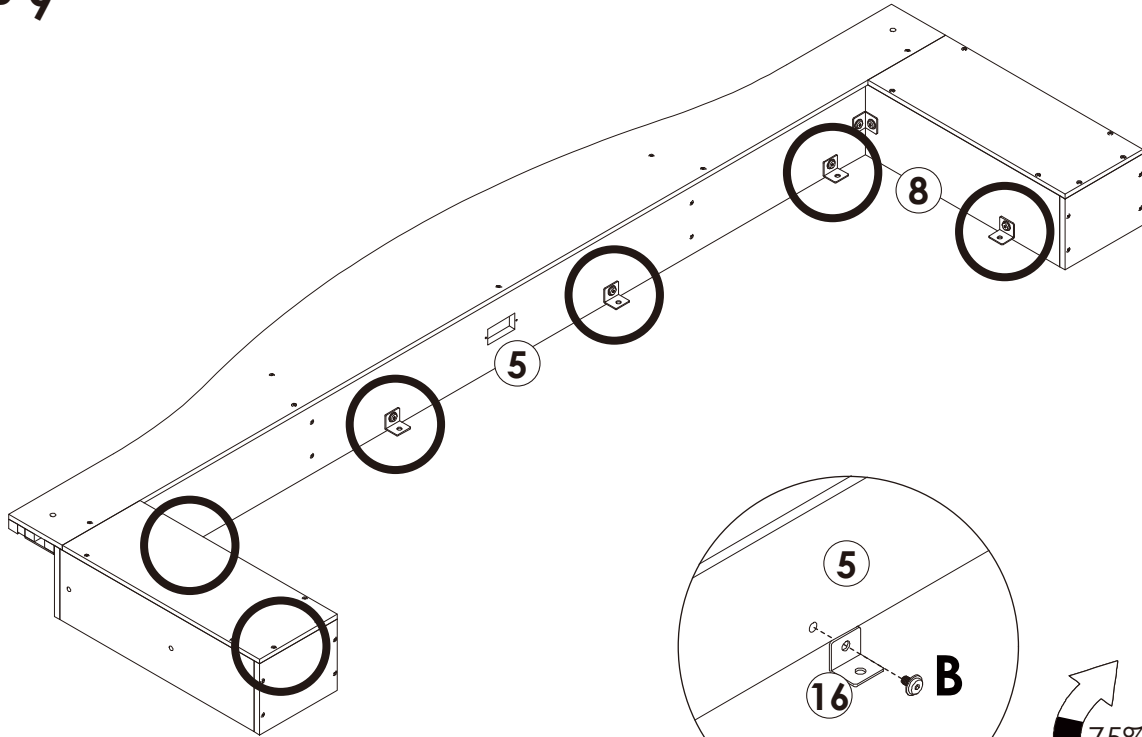
## STEP 8






	<b>A</b> x 12PCS
	<b>M</b> x 1PC

# Assembly Instruction of (Bed)

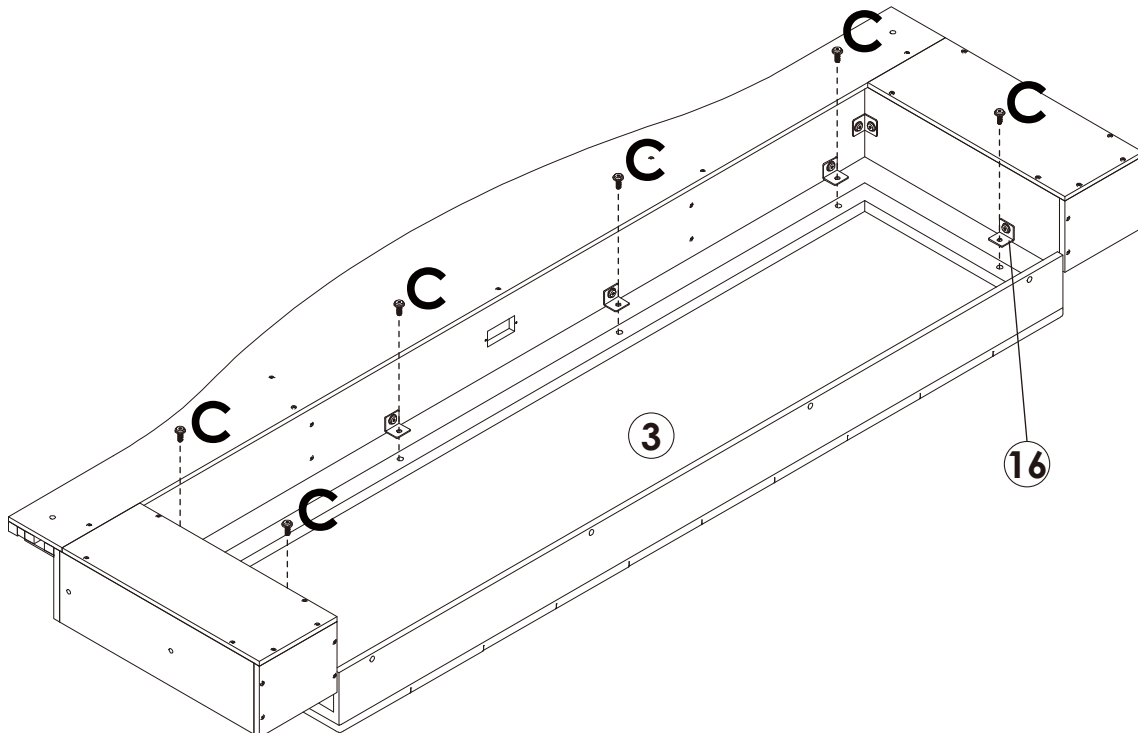
## STEP 9

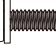



75%  
please do not  
tighten them  
too much

	16 x 6PCS
	B x 6PCS
	L x 1PC

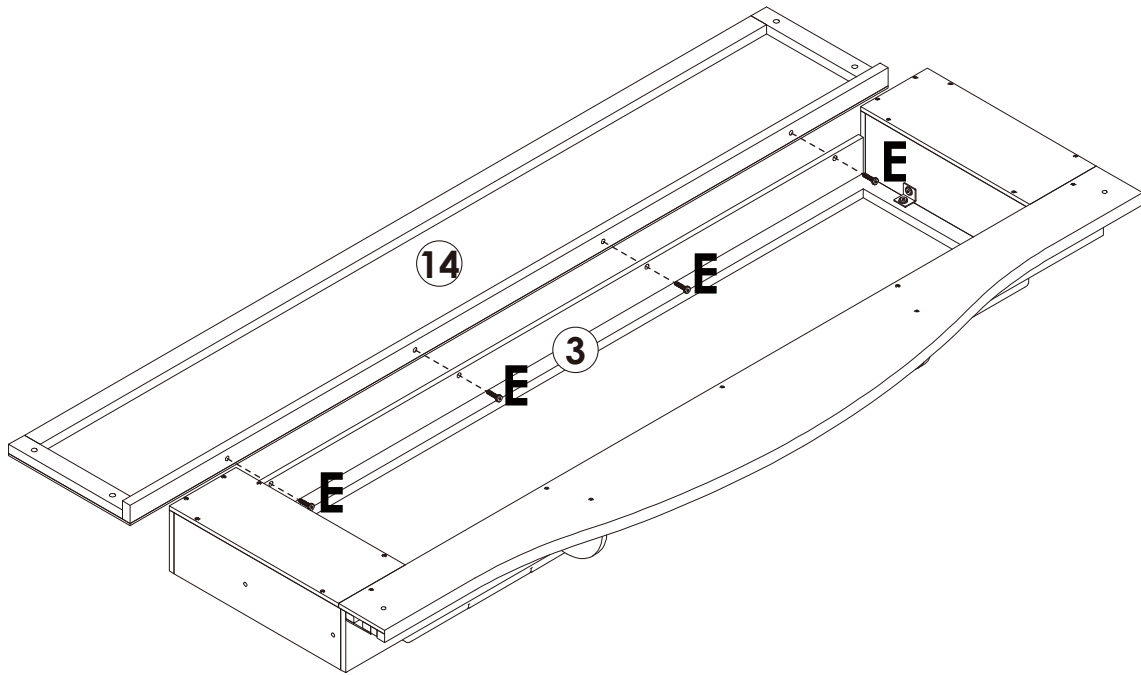
## STEP 10





	C x 6PCS
	L x 1PC

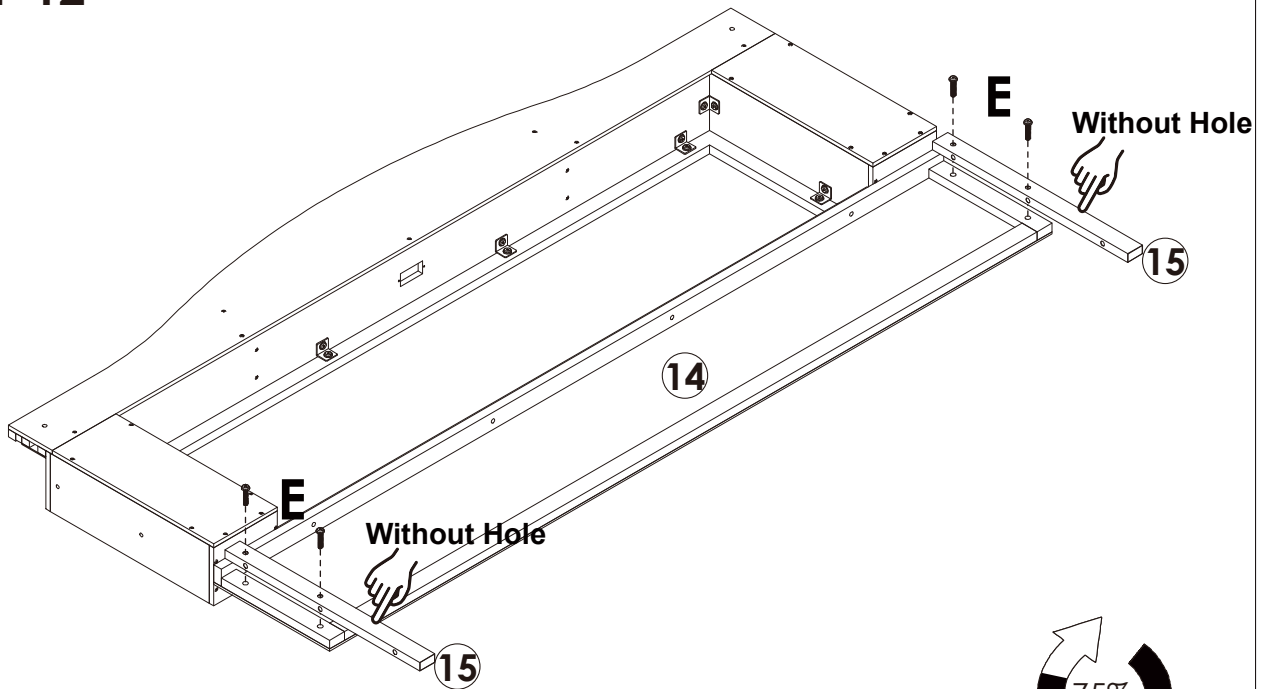
# Assembly Instruction of (Bed)



## STEP 11



	E x 4PCS
	L x 1PC

## STEP 12



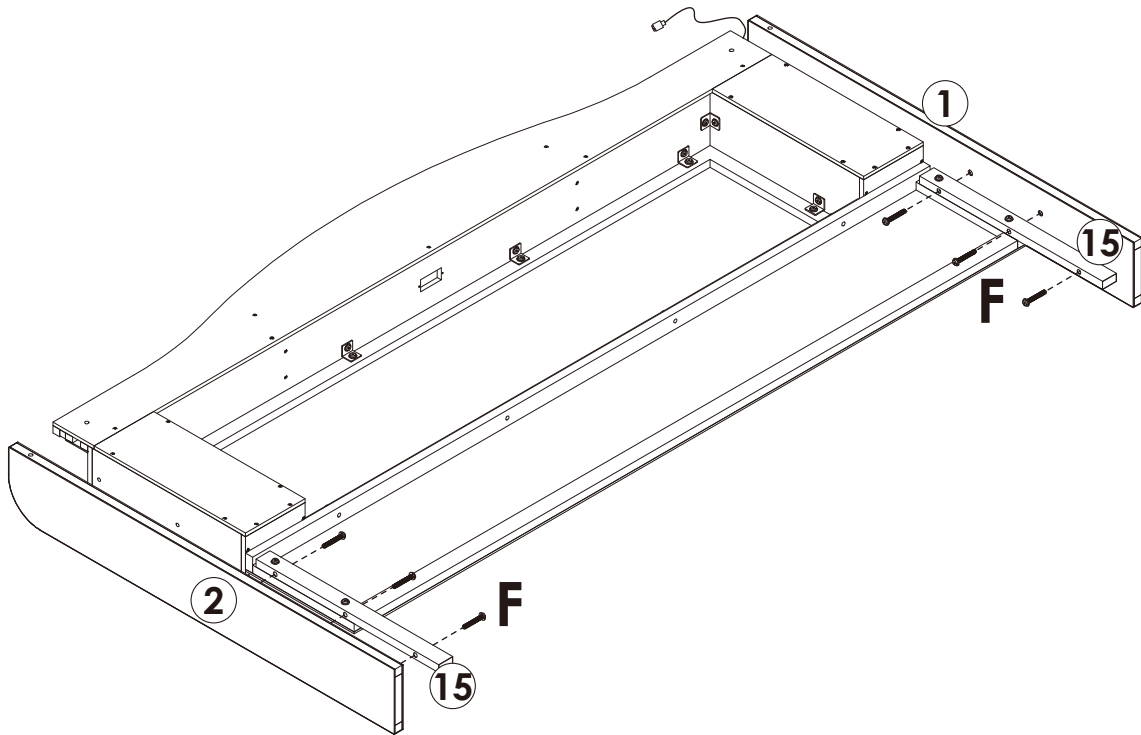
	E x 4PCS
	L x 1PC


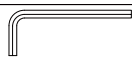


please do not  
tighten them  
too much

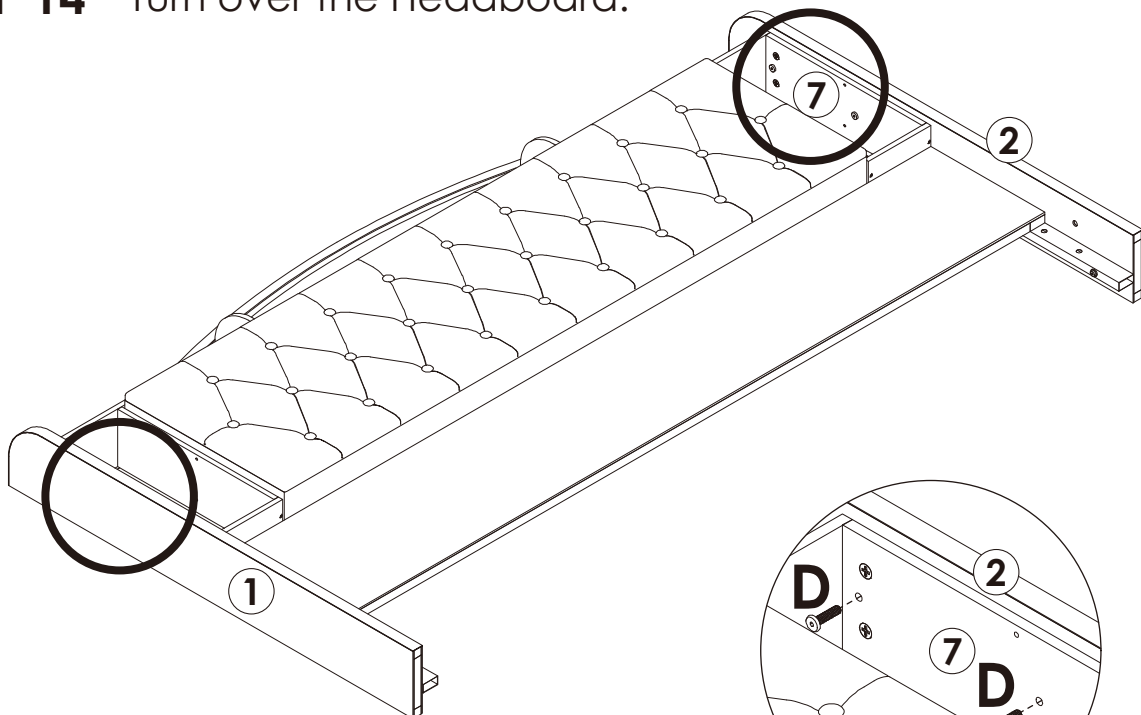
# Assembly Instruction of (Bed)



## STEP 13



	F x 6PCS
	L x 1PC

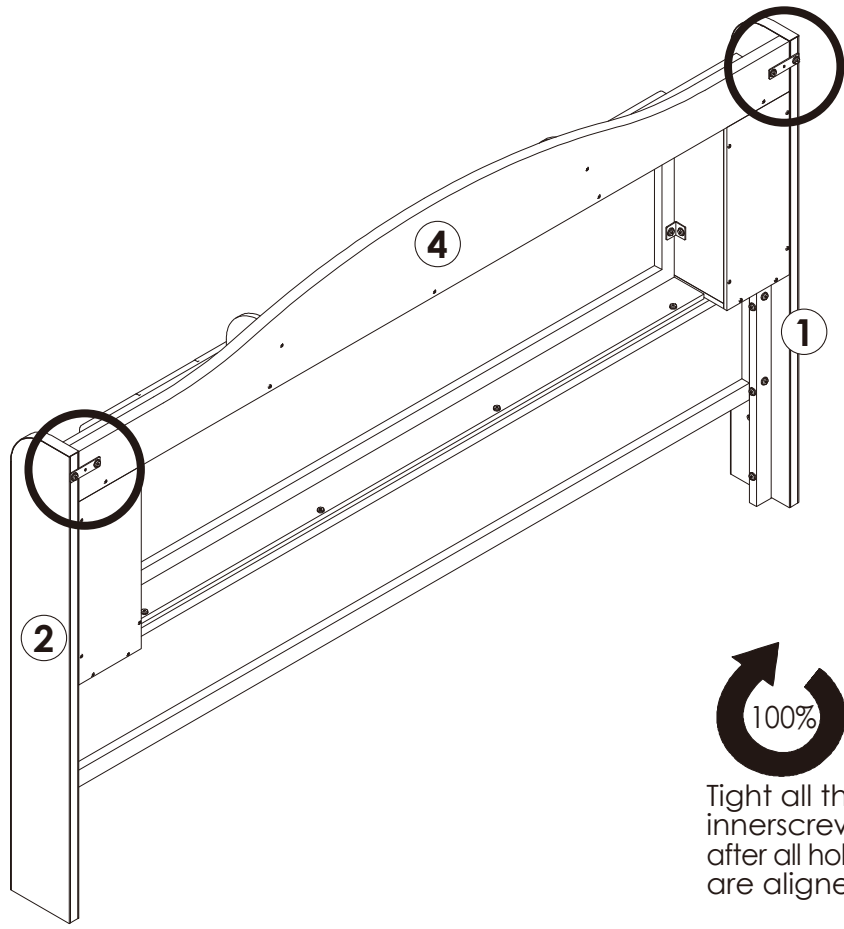
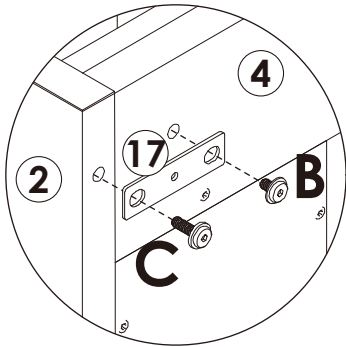
## STEP 14 Turn over the Headboard.



	D x 4PCS
	L x 1PC

# Assembly Instruction of (Bed)

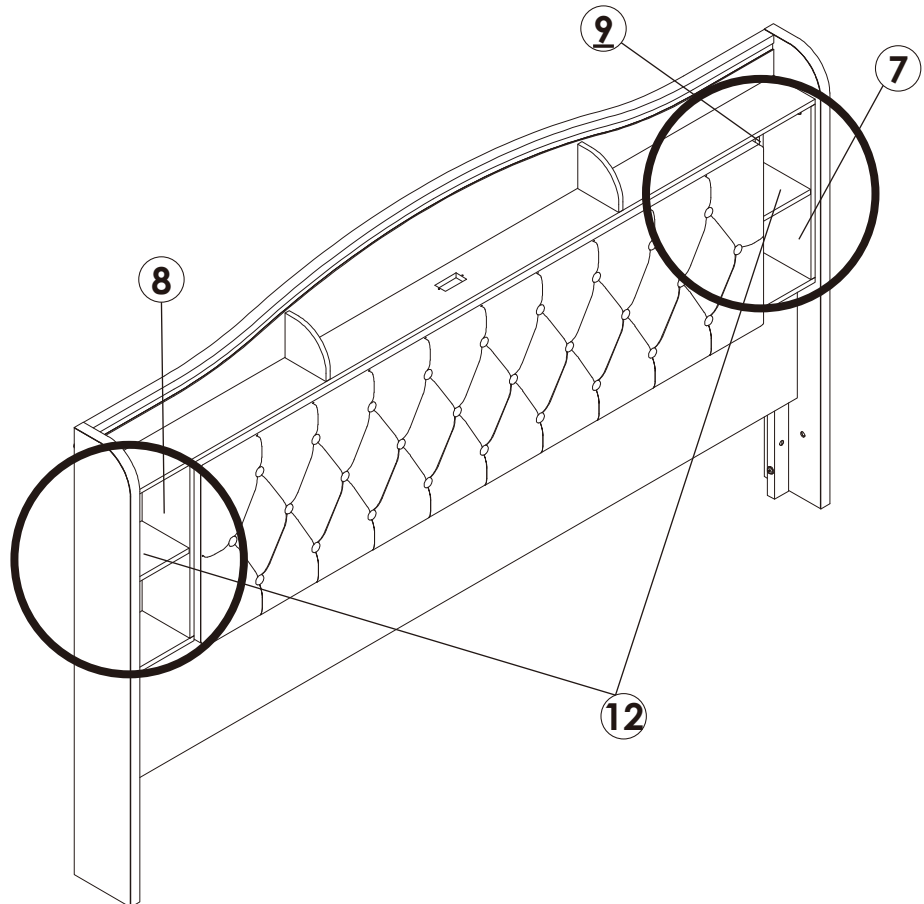
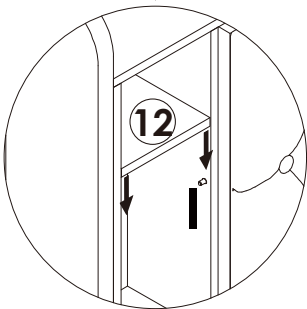
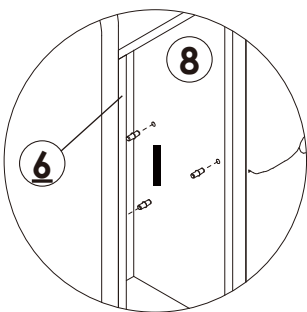
## STEP 15



Tight all the innerscrew after all holes are aligned.

	17 x 2PCS
	C x 2PCS
	B x 2PCS
	L x 1PC

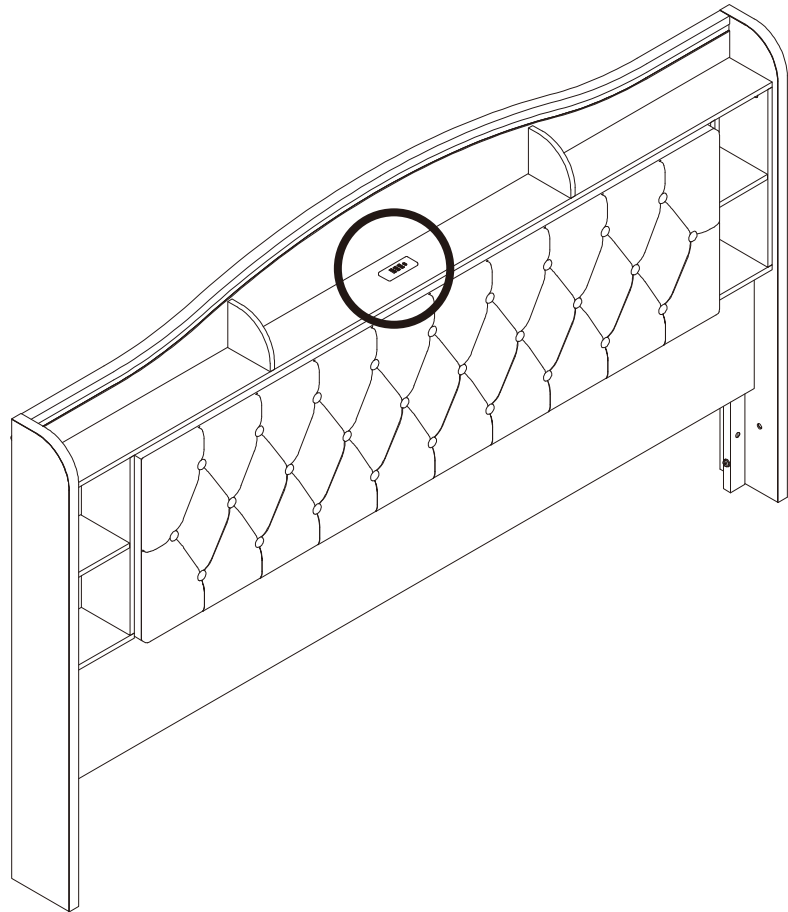
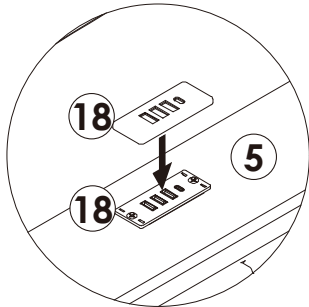
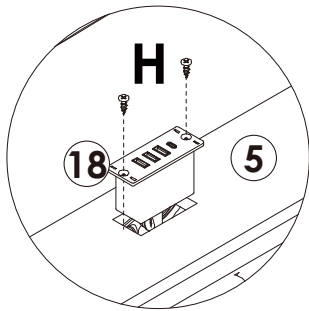
## STEP 16

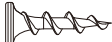



	I x 8PCS
--	----------

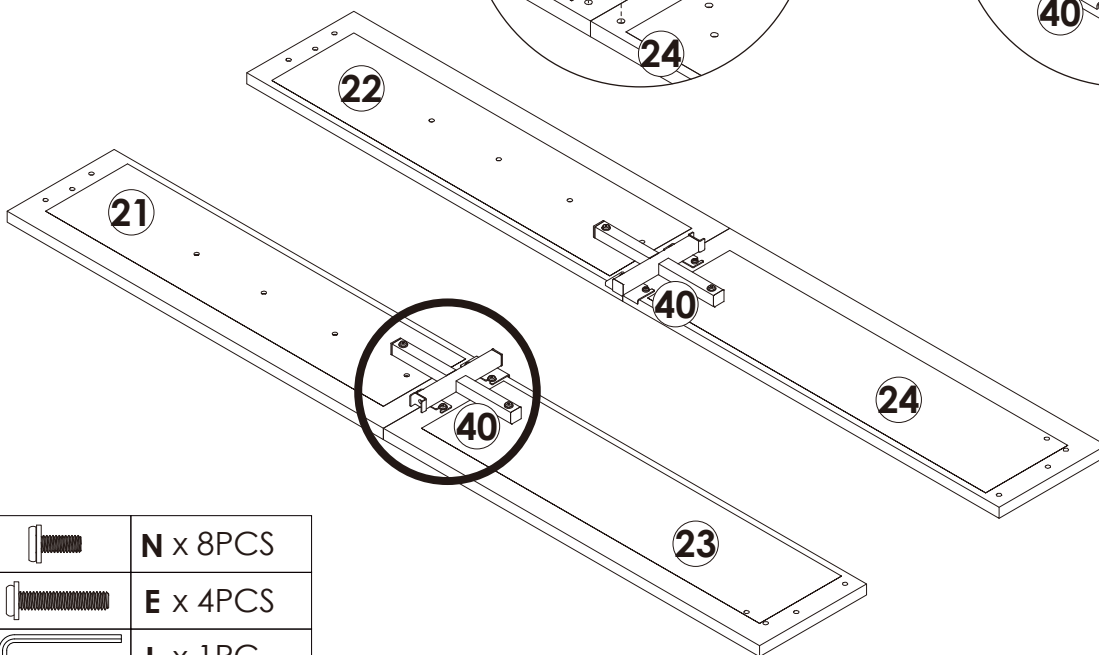
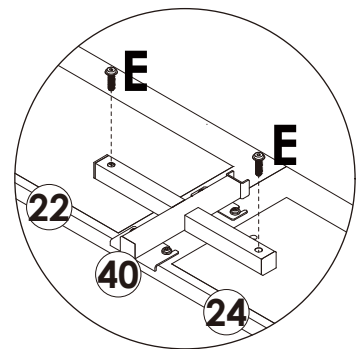
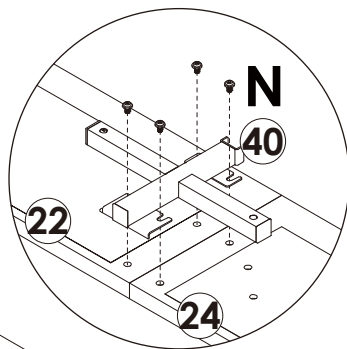
# Assembly Instruction of (Bed)




## STEP 17



	H x 2PCS
	Not Provided

## STEP 18



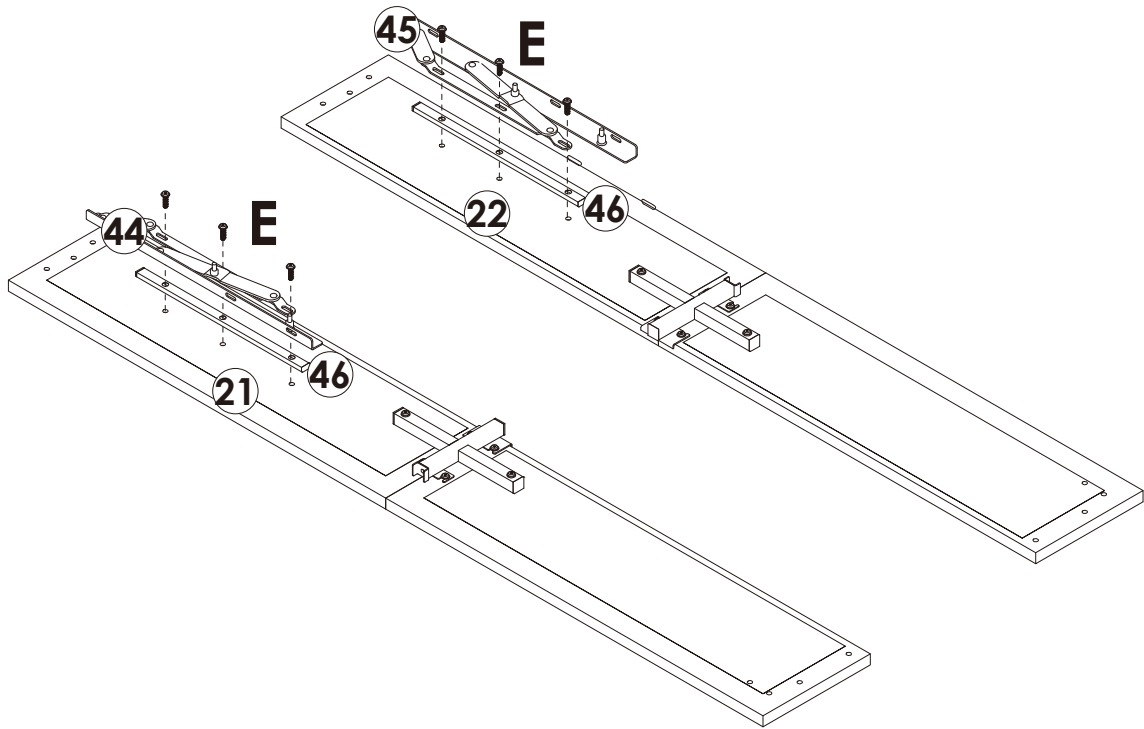
	N x 8PCS
	E x 4PCS
	L x 1PC





Tight all the innerscrew after all holes are aligned.

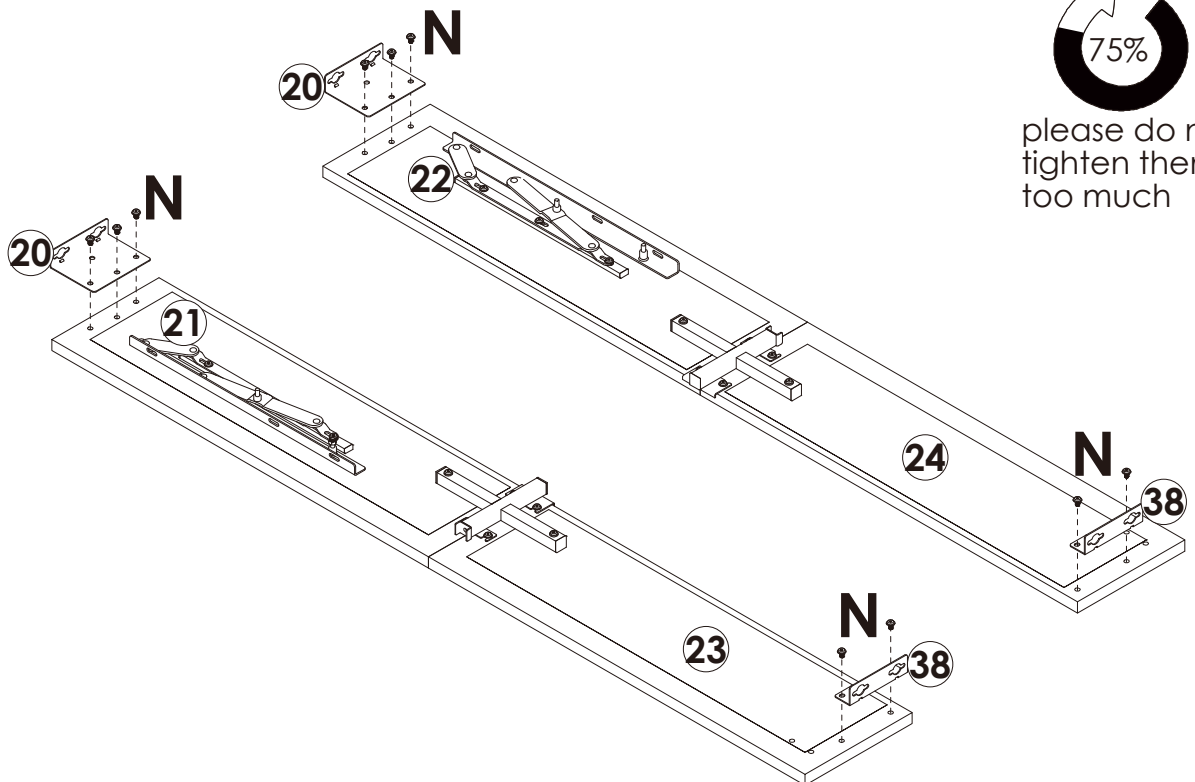
# Assembly Instruction of (Bed)

## STEP 19



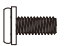

	E x 6PCS
	L x 1PC

## STEP 20



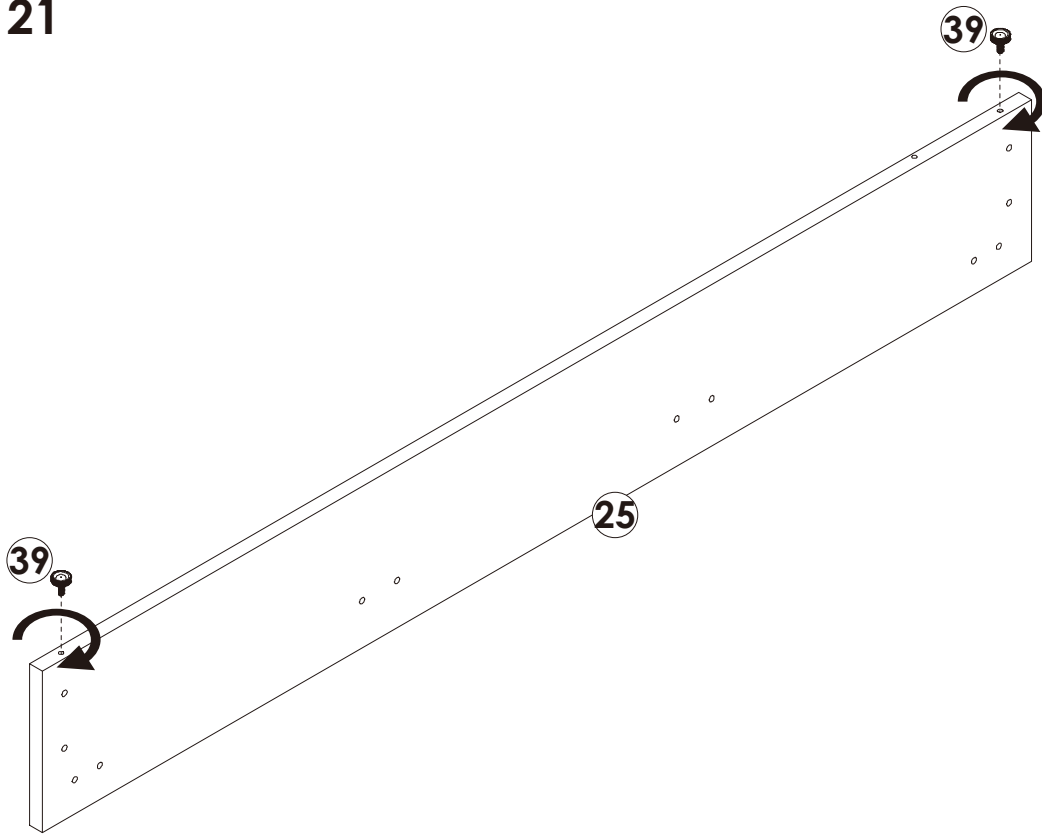
75%

please do not  
tighten them  
too much

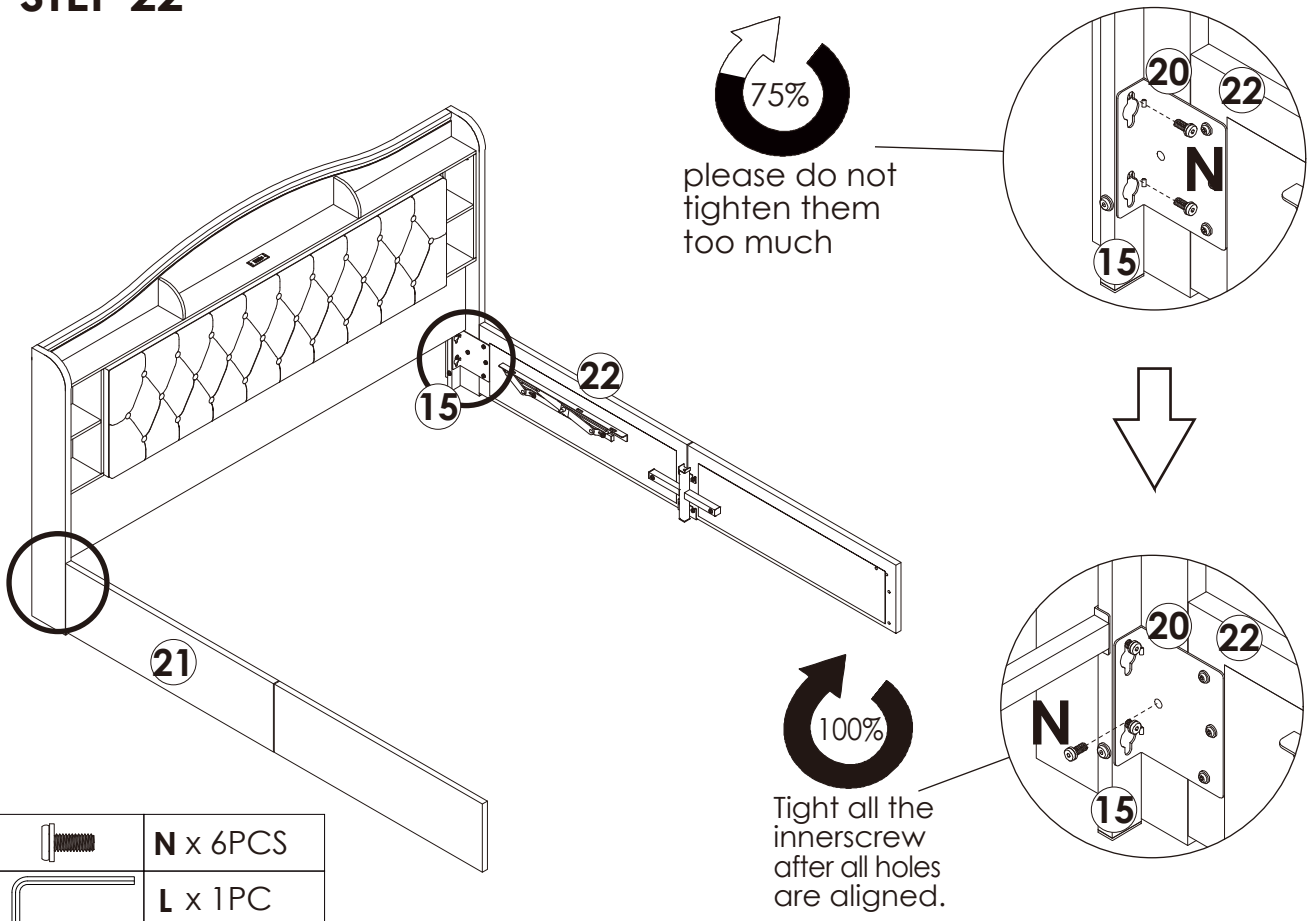
	N x 10PCS
	L x 1PC

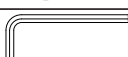
# Assembly Instruction of (Bed)

## STEP 21



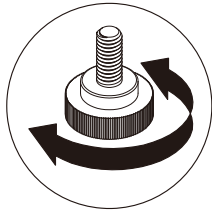
## STEP 22



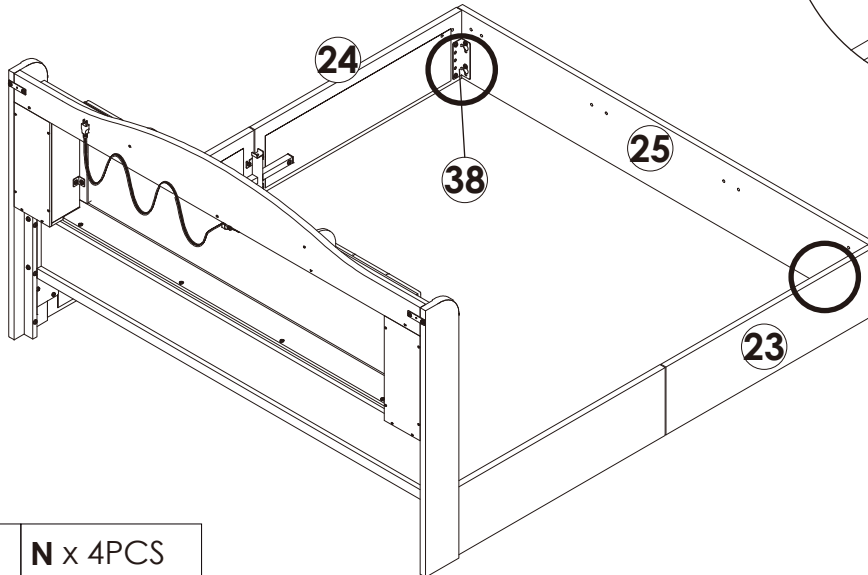
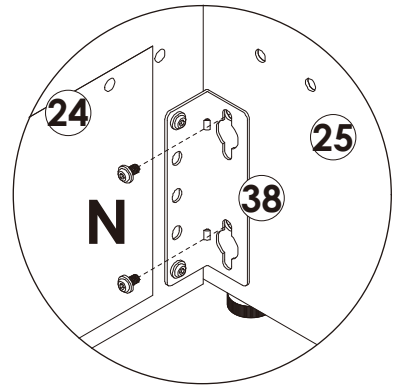
	N x 6PCS
	L x 1PC

# Assembly Instruction of (Bed)

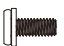

## STEP 23



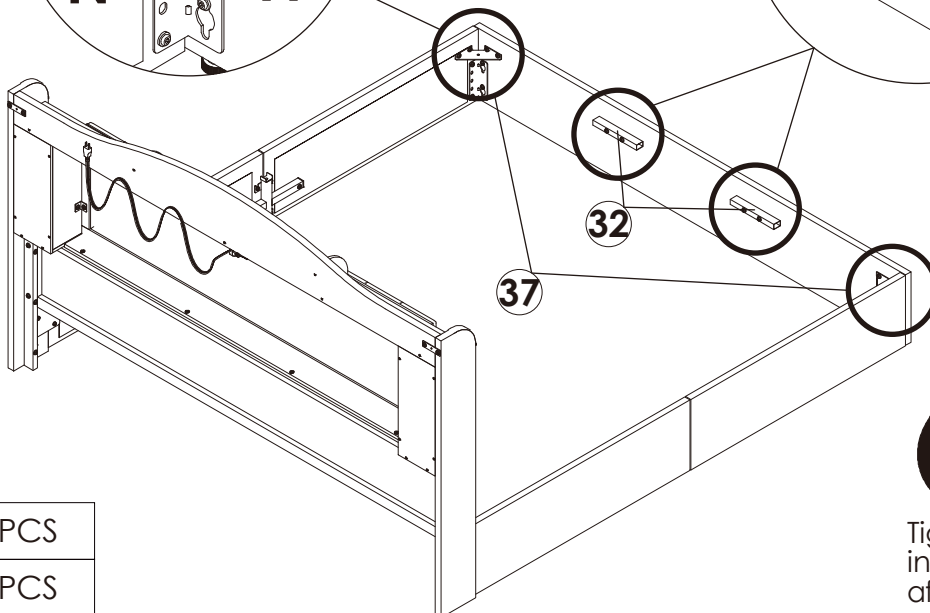
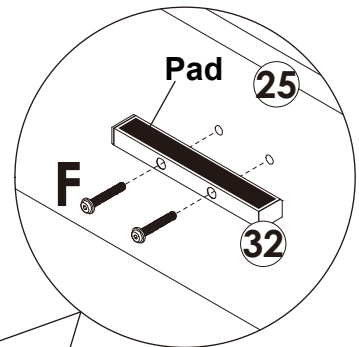
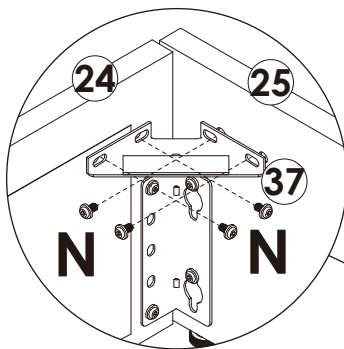
You can try to turn this foot to adjust if the bed is placed on an uneven floor.





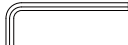
Tight all the innerscrew after all holes are aligned.

	N x 4PCS
	L x 1PC

## STEP 24

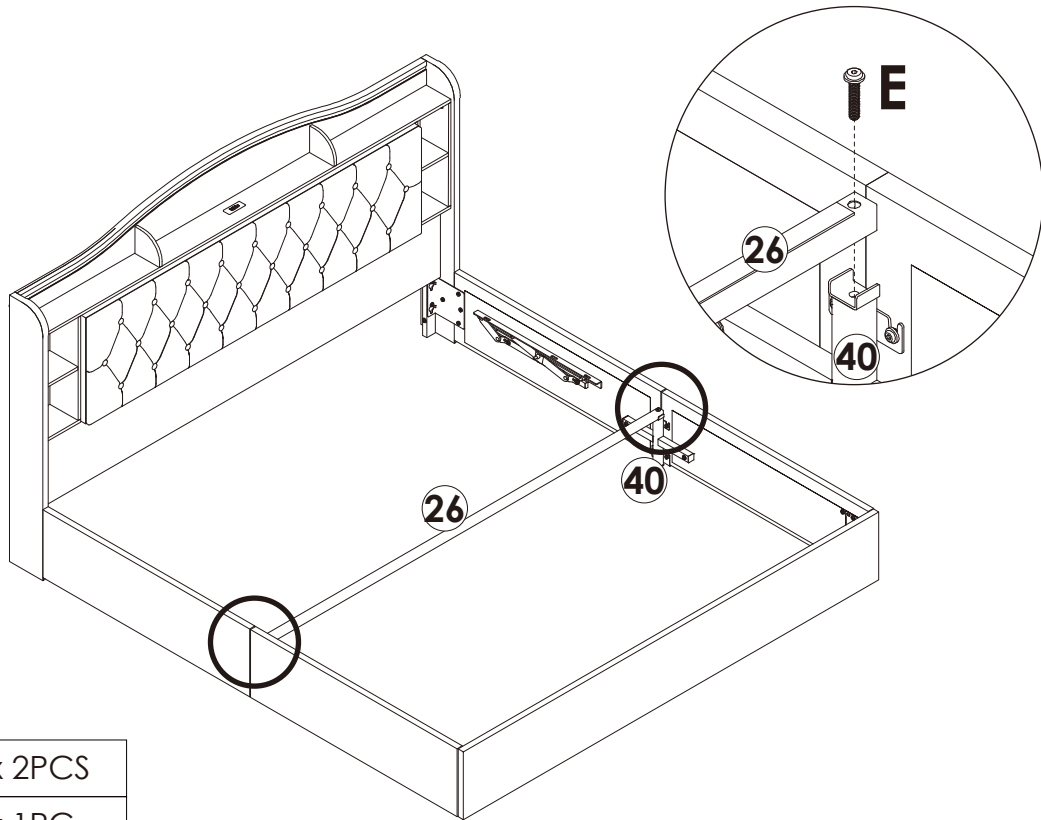




Tight all the innerscrew after all holes are aligned.

	F x 4PCS
	N x 8PCS
	K x 1PC

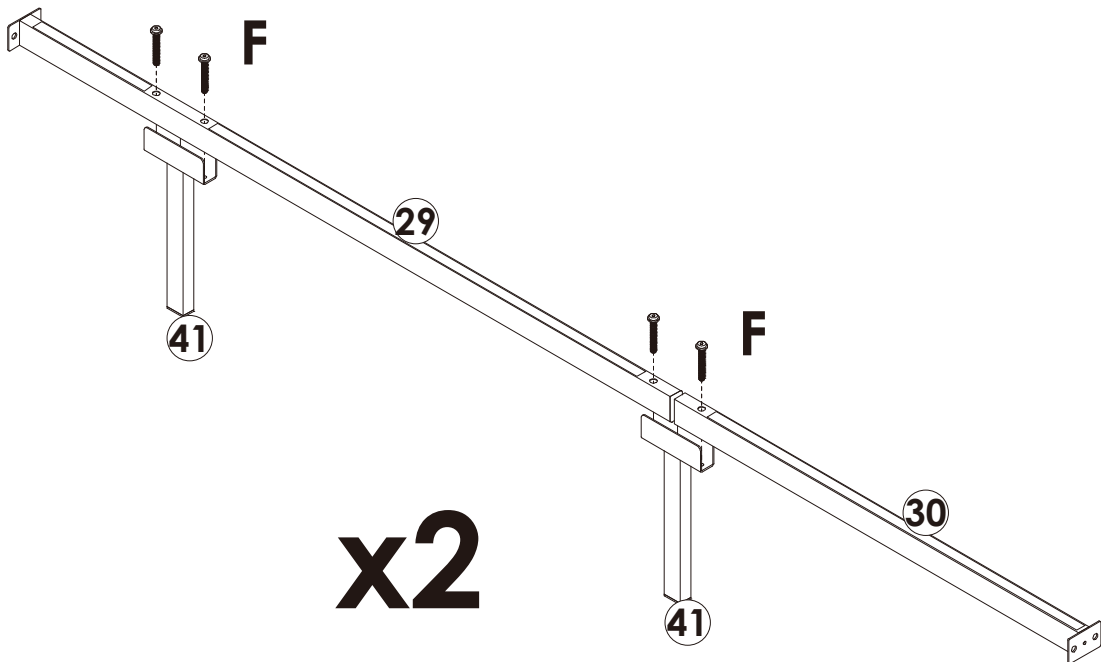
# Assembly Instruction of (Bed)



## STEP 25



	E x 2PCS
	L x 1PC

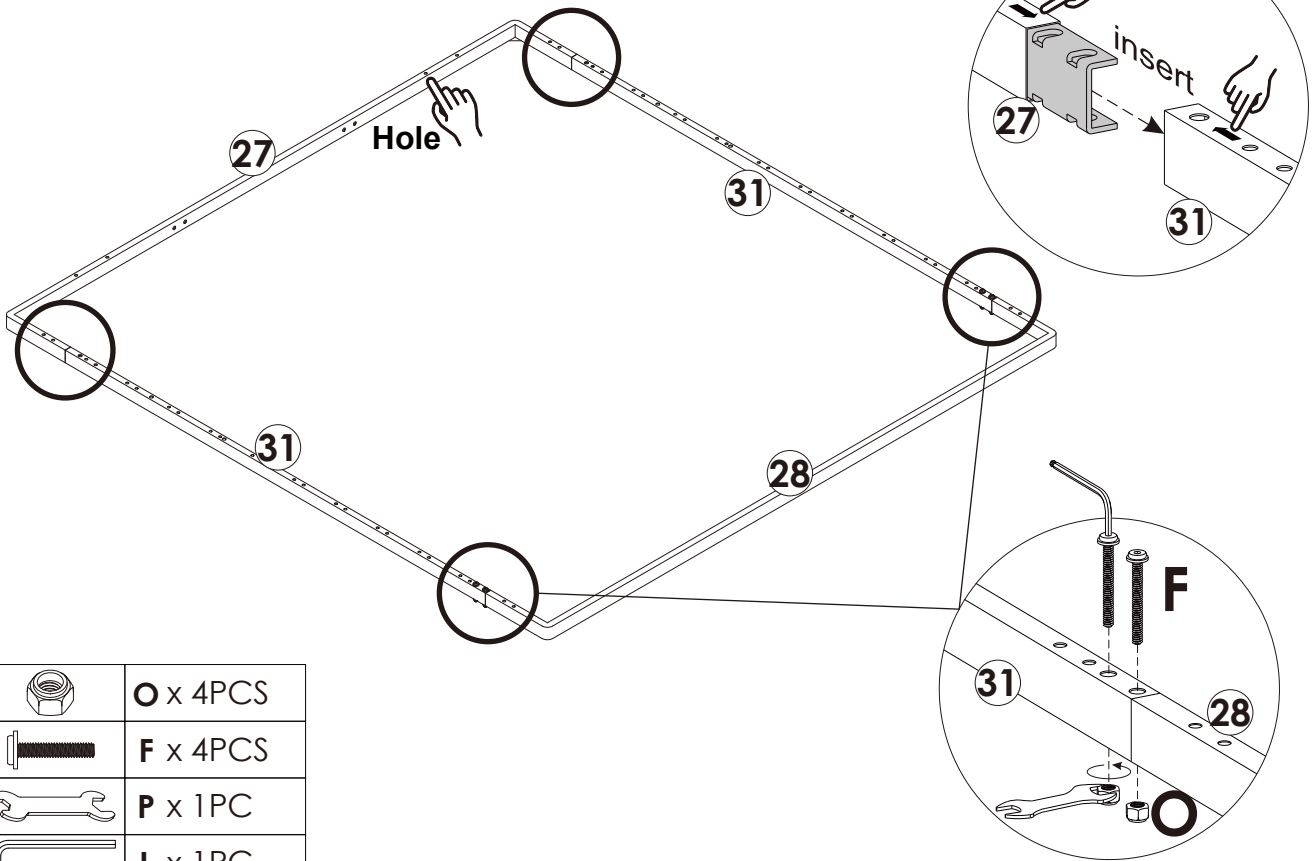
## STEP 26




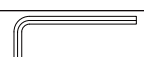


	F x 8PCS
	L x 1PC

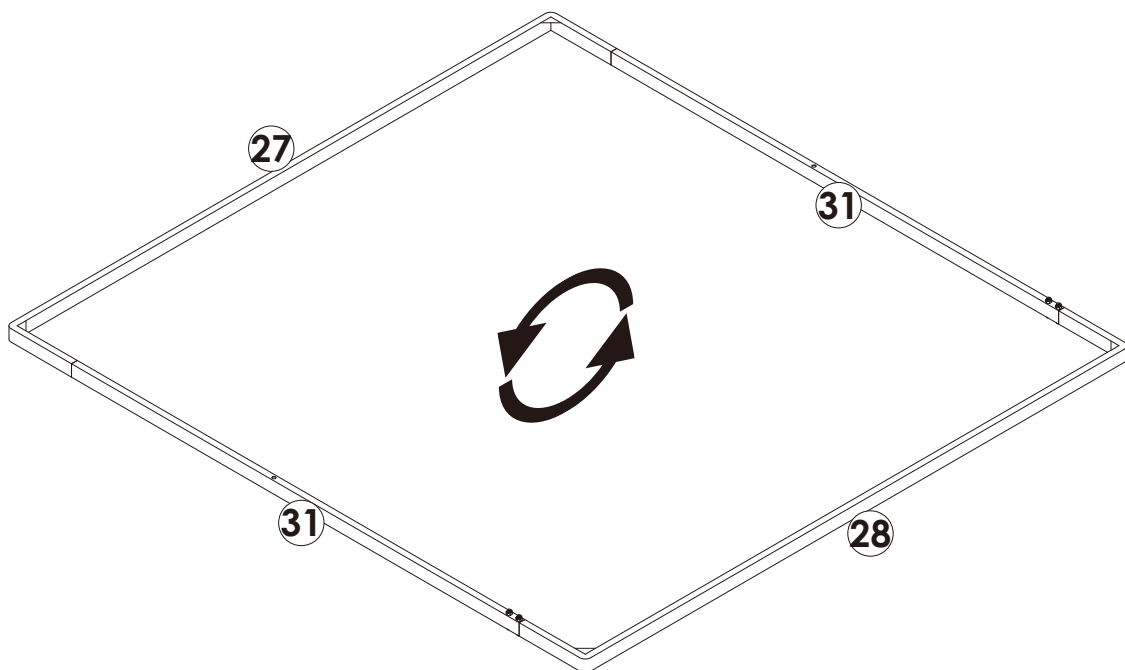
# Assembly Instruction of (Bed)

## STEP 27



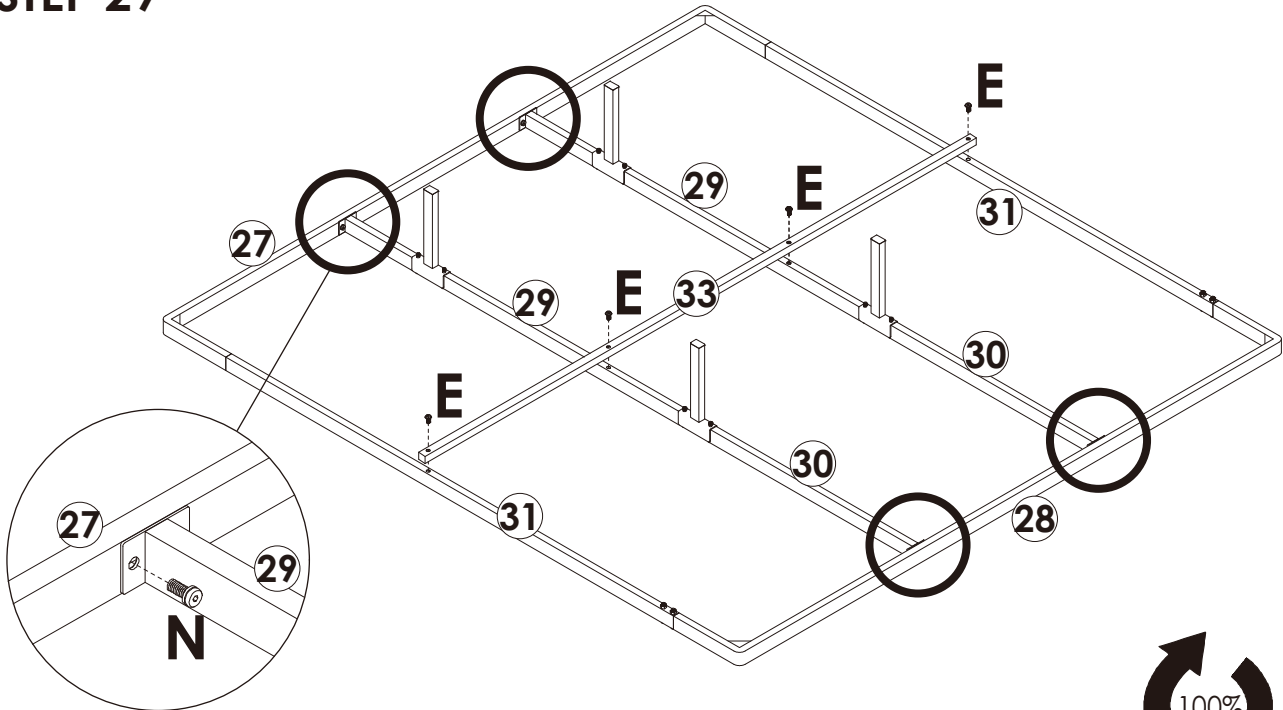
	O x 4PCS
	F x 4PCS
	P x 1PC
	L x 1PC




## STEP 28 Turn over the sub-assembly obtained.



# Assembly Instruction of (Bed)

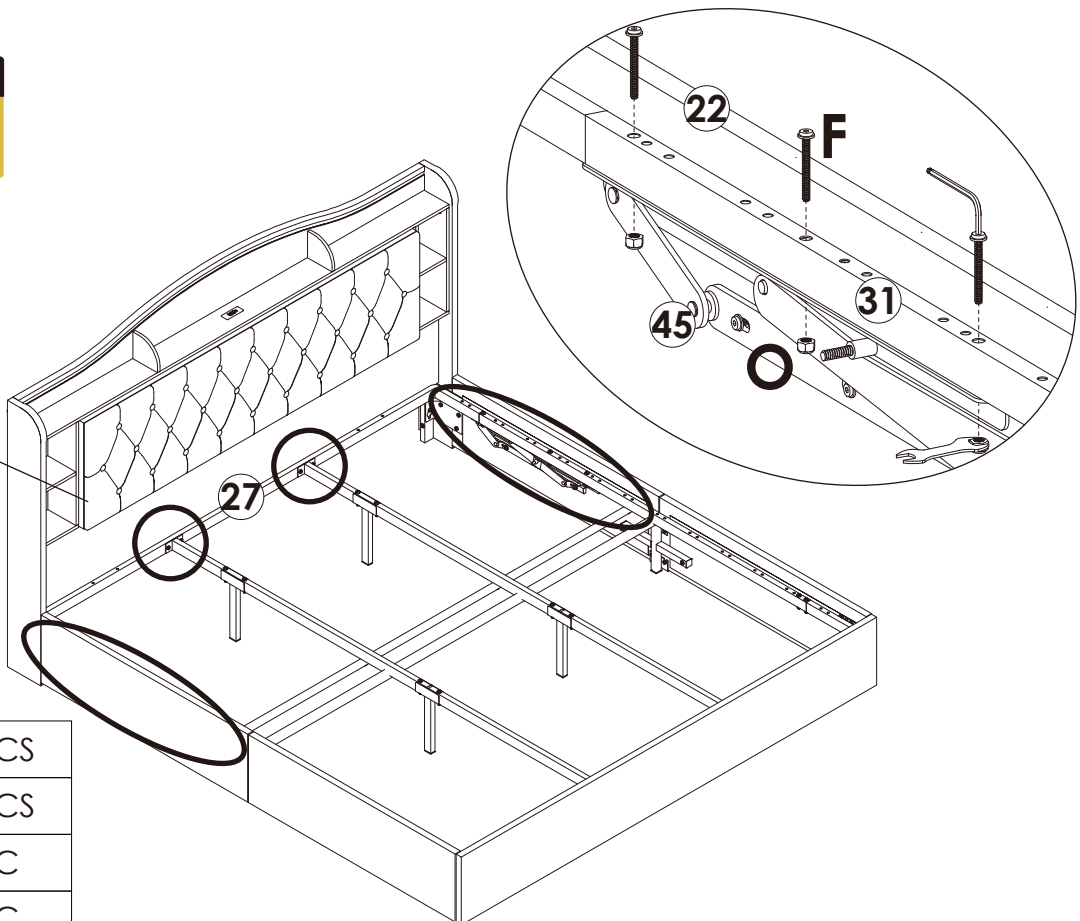
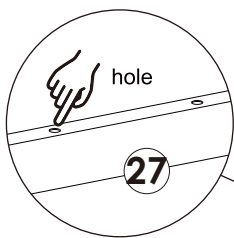
## STEP 29



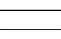
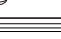


	N x 8PCS
	E x 4PCS
	L x 1PC

100%  
Tight all the  
innerscrew  
after all holes  
are aligned.

## STEP 30



	O x 6PCS
	F x 6PCS
	P x 1PC
	L x 1PC

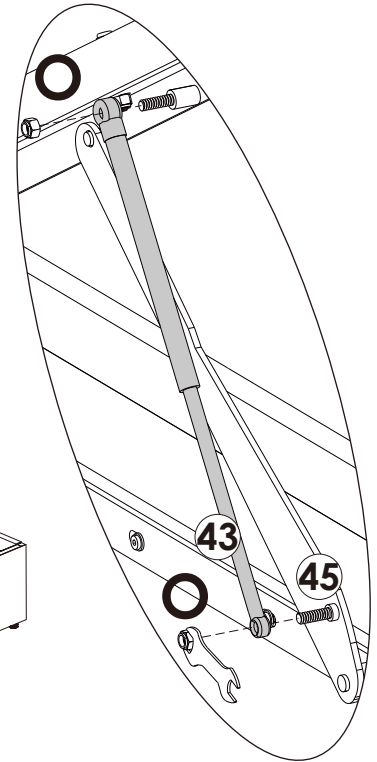
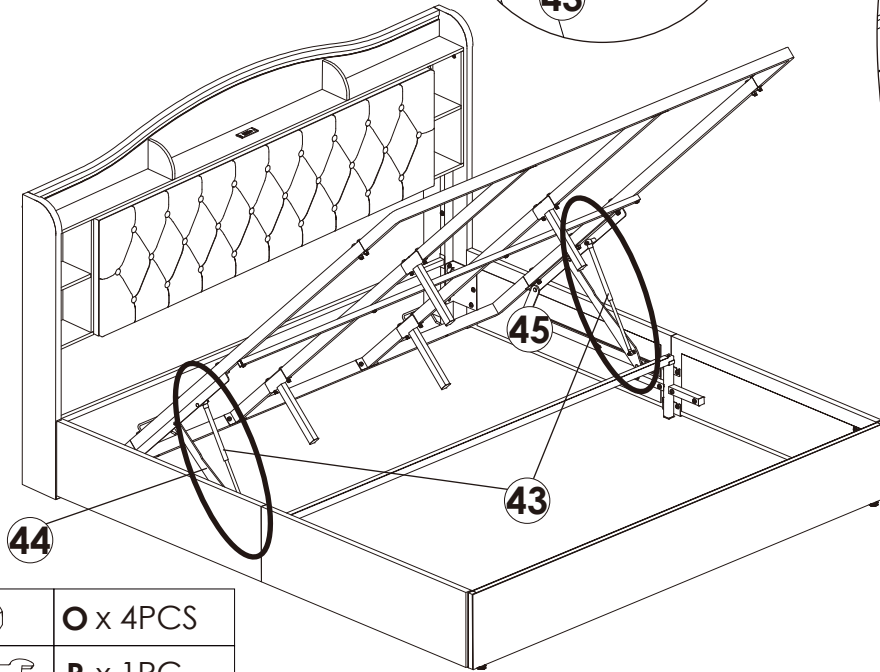
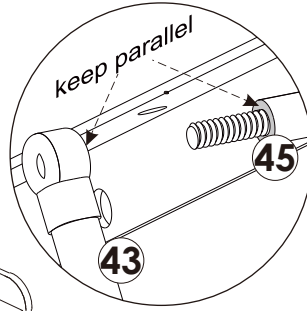
# Assembly Instruction of (Bed)

## STEP 31

### CAUTION



PINCH POINT  
RISQUE DE PINCEMENT  
PUNTO DE PELLIZCO



O x 4PCS



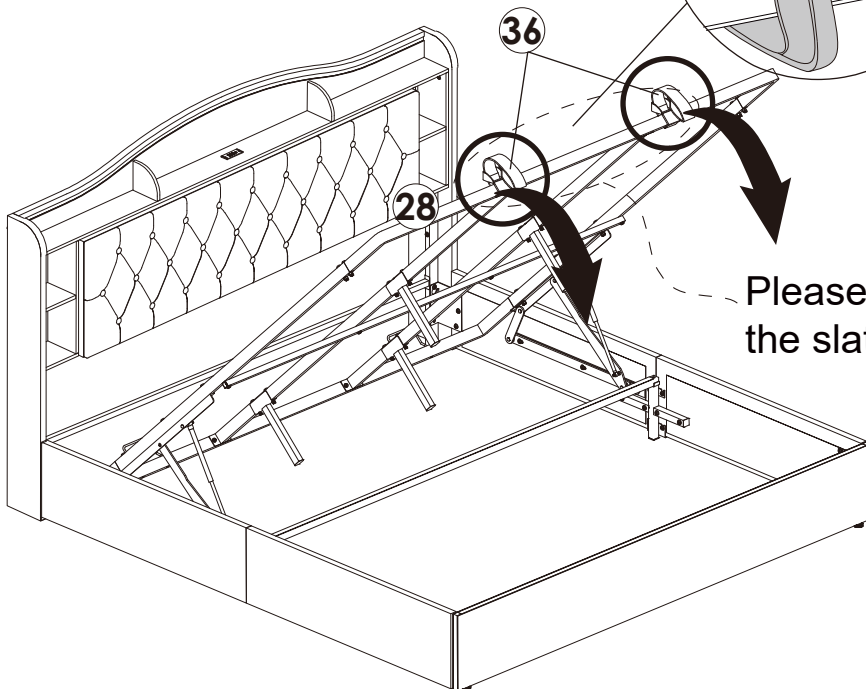
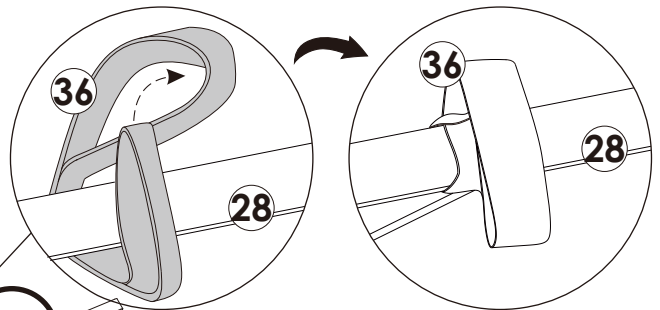
P x 1PC

## STEP 32

### CAUTION



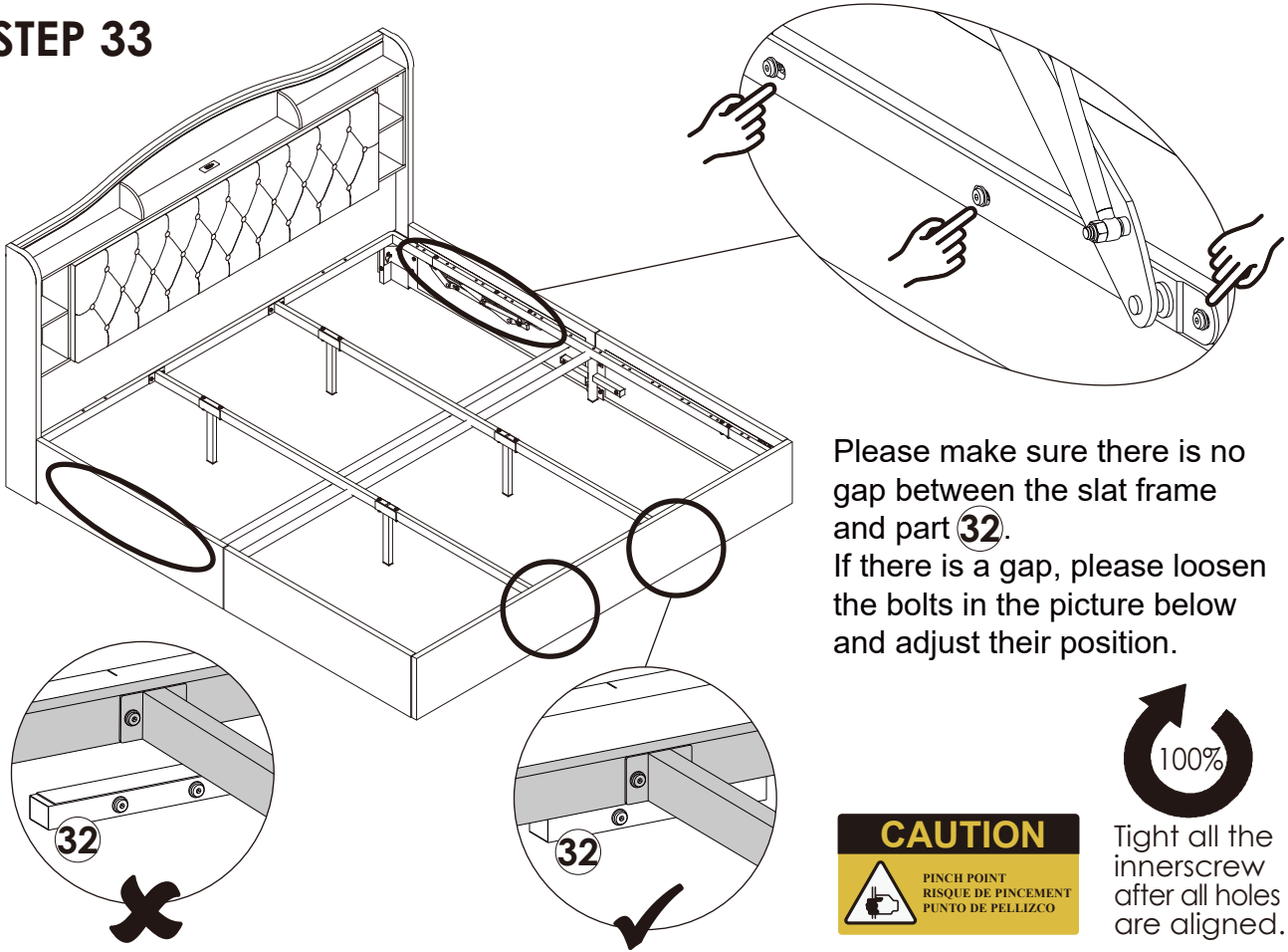
PINCH POINT  
RISQUE DE PINCEMENT  
PUNTO DE PELLIZCO



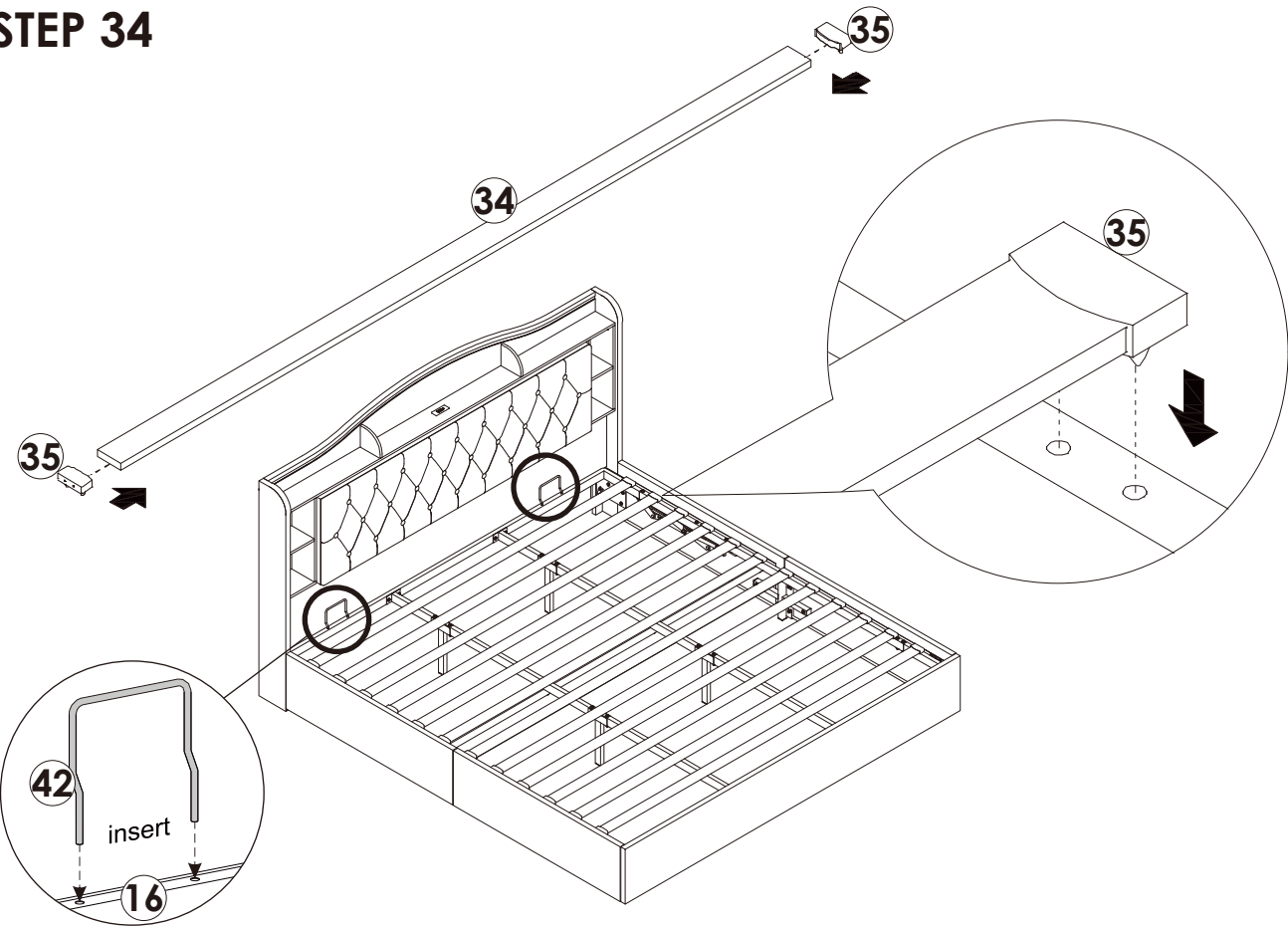
Please press the middle part of the slat frame

# Assembly Instruction of (Bed)

## STEP 33



## STEP 34



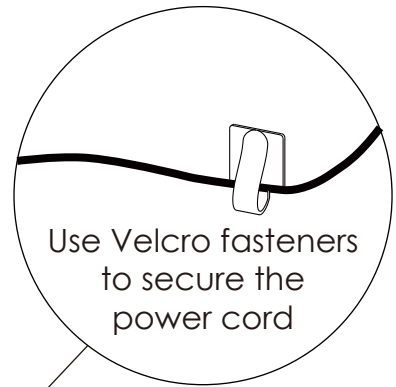
# Assembly Instruction of (Bed)

## STEP 35

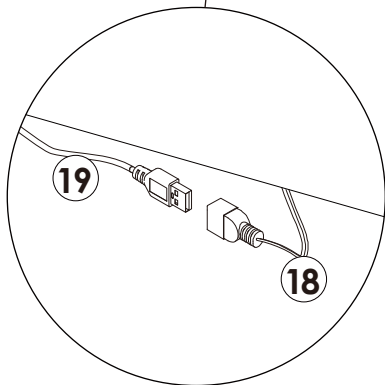
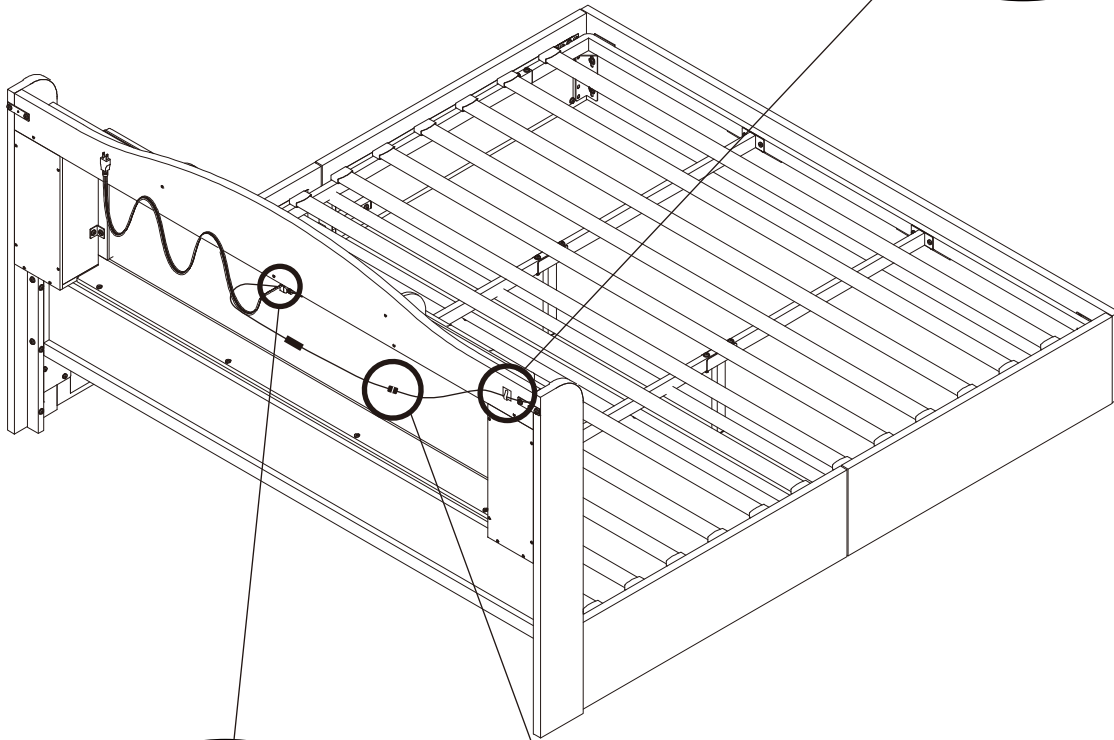


### Remote control

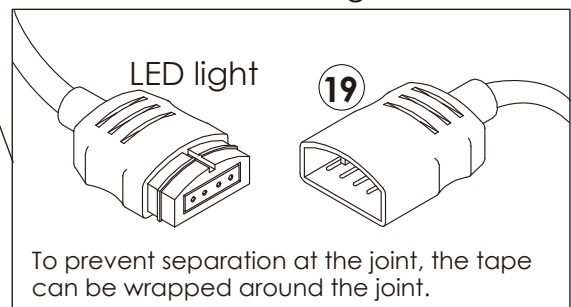
You can use the remote to control the light. The LED lamp can only be used after the power supply is connected.



Use Velcro fasteners to secure the power cord



**NOTE:** The square part of the receiver 19 needs to be exposed to air in order to better control the LED light.



To prevent separation at the joint, the tape can be wrapped around the joint.