

# Assembly Instructions

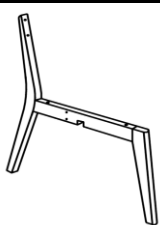
**Caution : You must read this before you proceed**

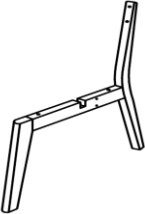



## DINING CHAIR



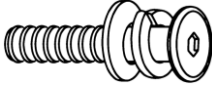
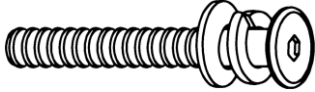



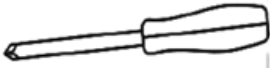
**WARNING:** These chairs are intended only for normal use with all four chair legs on the ground. These consumer chairs have relatively thin legs and are not designed to be sat in with only two chair legs on the ground (as from tipping back, forward, or to the side), and such can cause stress and failure of one or more chair legs. Any misuse of the chairs voids any warranties, express or implied.

### Part List

Label	Picture	Description	QTY
A		Leg	1

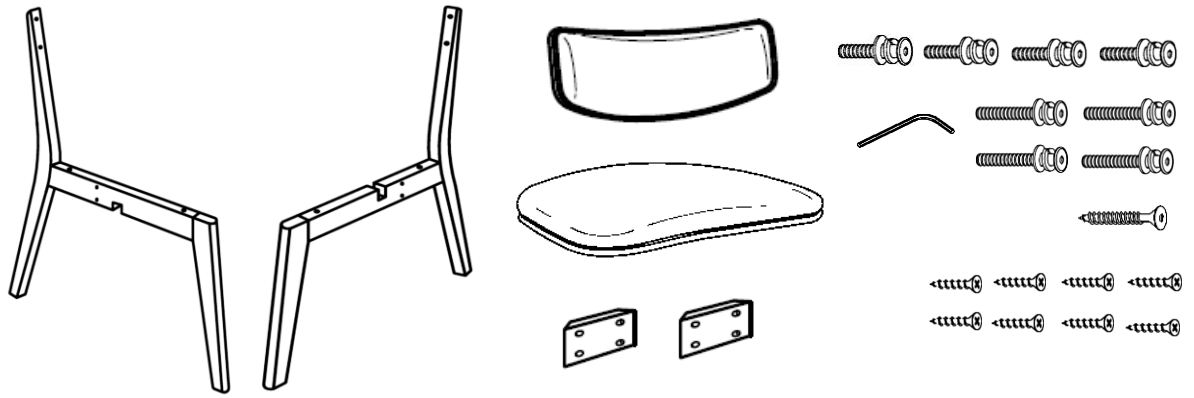
B		Leg	1
C		Backrest	1
D		Seat	1
E		Corner Block	2

## Hardware

Label	Picture	Description	QTY
①		Short Bolt Set	4
②		Long Bolt Set	4
③		Screw (M7 x 40mm)	1
④		Screw	8
⑤		Allen Key	1
⑥		Screwdriver	(Not Provided)

## Assembly Preparation

Before Beginning Assembly:



• Read instructions, cover to cover-



• Have 2 adults on hand for assembly-



• Do not assemble on flooring or carpet-



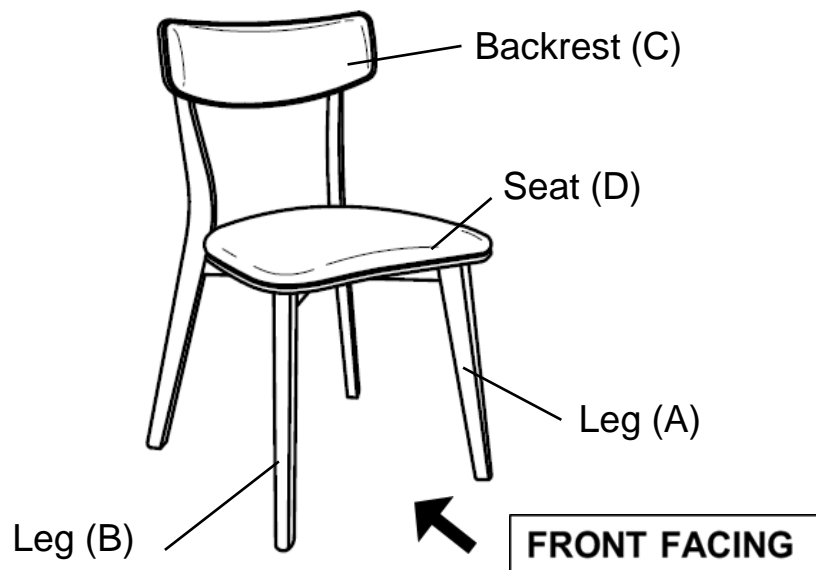
• Assemble on a clean non-marring surface (packing foam)-



• Save all packaging until finished-

## Assembly Steps

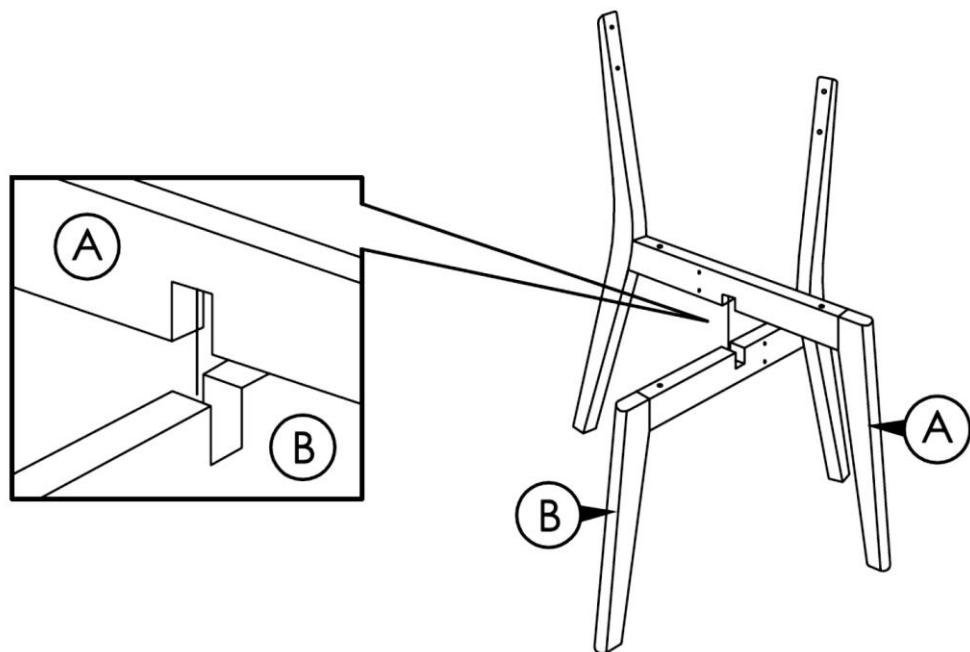
### Overview



This Dining Chair has multiple parts and may require up to 30 minutes to assemble. To give you an overview of the Dining Chair parts, the above picture is to help you put the various parts into perspective. Please read through the instructions below to familiarise yourself with the parts and steps before assembly.

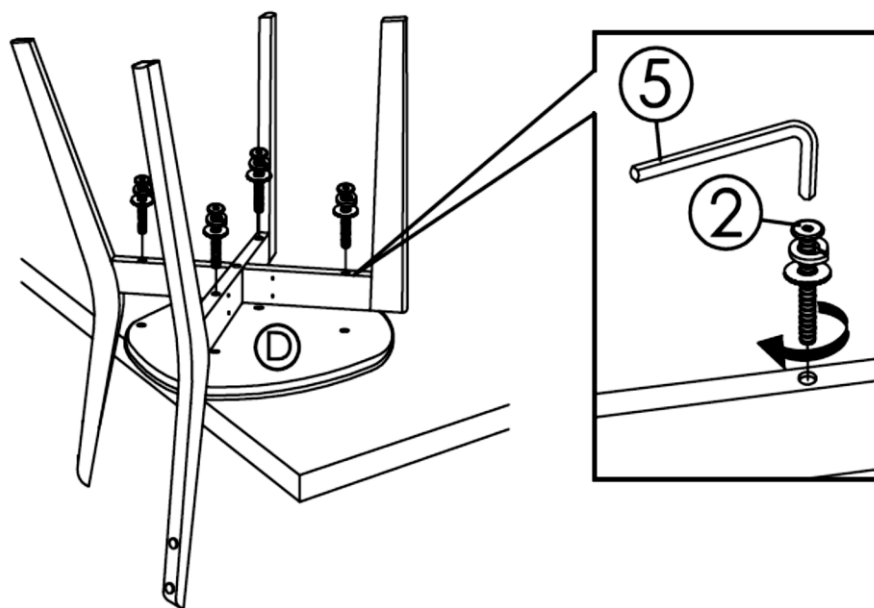
## Assembly Steps

## Step 1



Thread together Leg(A) into Leg(B) as shown in the picture.

## Step 2

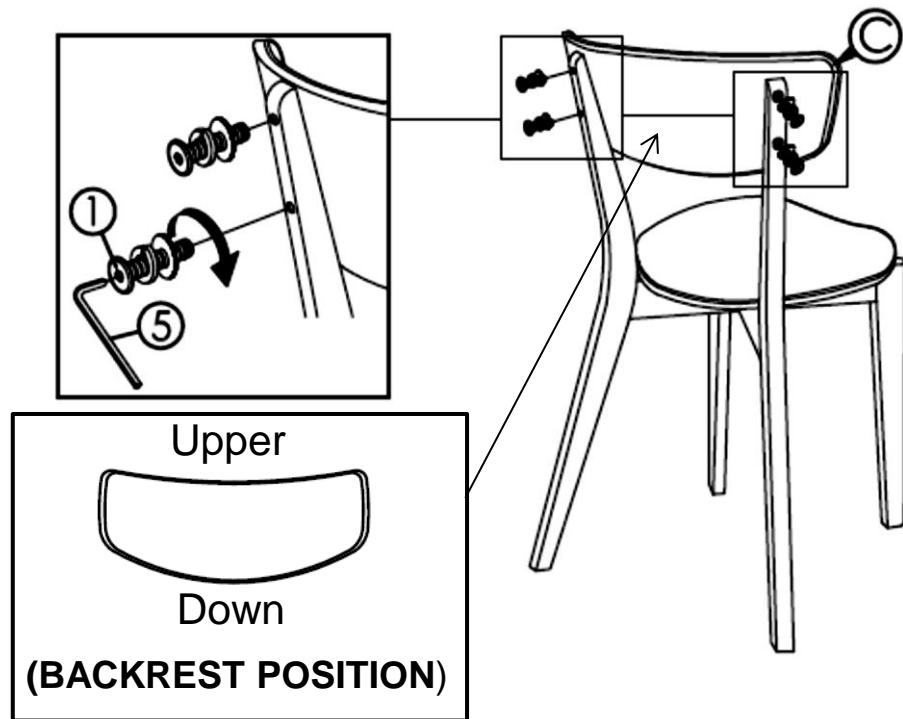


Place the Legs(A & B) onto the Seat(D) as shown.

Attach Legs(A & B) to Seat(D) using Long Bolt Sets(②) with Allen Key(⑤).

**Do not fully tighten the Bolts.**

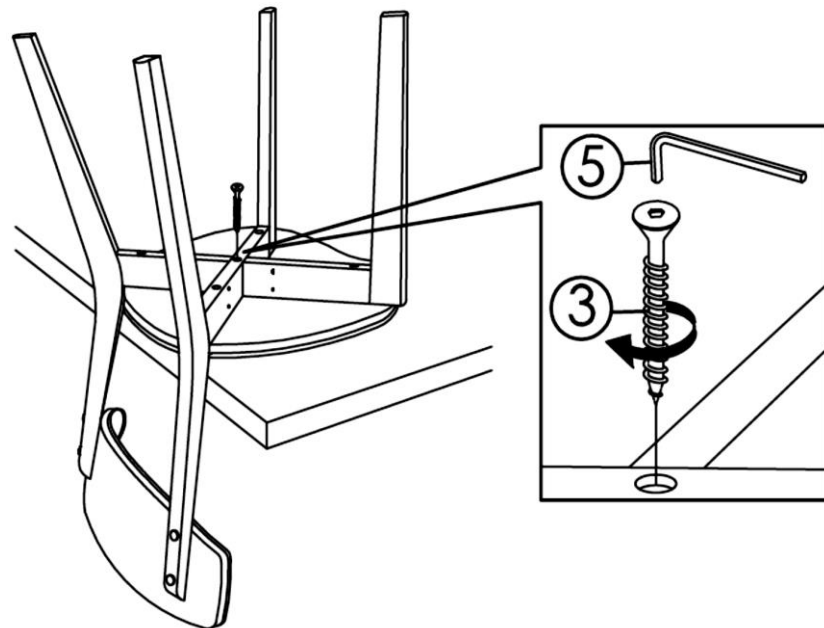
### Step 3



Attach Backrest(C) to Legs(A & B) using Short Bolt Sets(①) with Allen Key(⑤).

**Do not fully tighten the Bolts.**

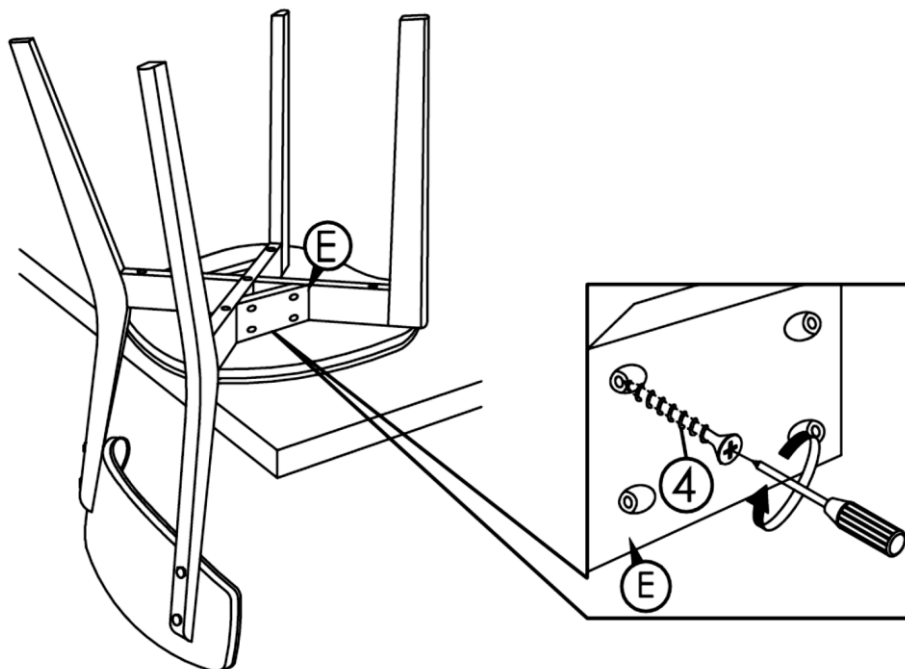
### Step 4



Fix the Legs(A & B) to Seat(D) using Screw(③) with Allen Key(⑤).

**Do not fully tighten the Screw.**

## Step 5

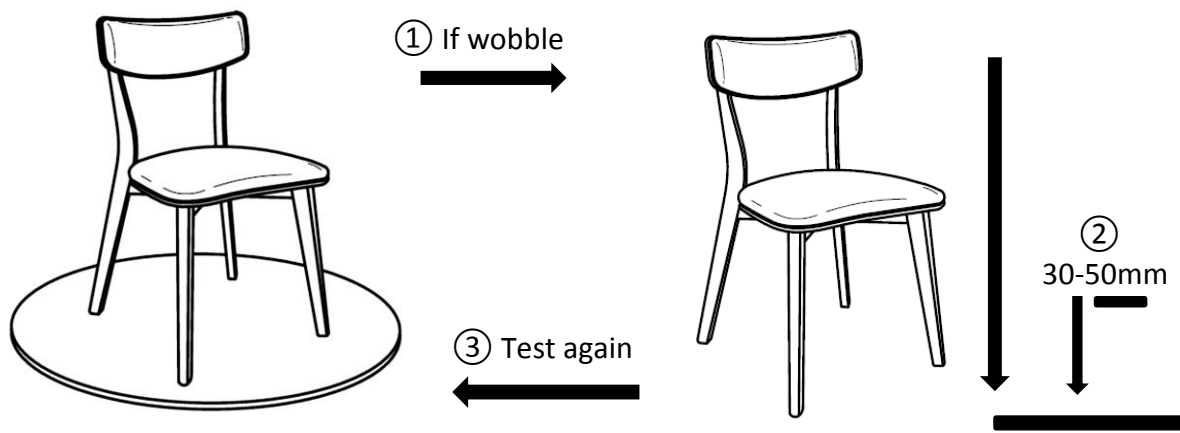


Place the Corner Block(E) at the center of Legs(A & B) as shown. Then, attach the Corner Block(E) to Legs(A & B) using Screws(④) with Screwdriver(⑥).

Repeat this process with the three remaining Corner Blocks.

**Do not fully tighten the Screws.**

## Step 6



Place the Dining Chair on a Level Surface to check if it wobbles.  
If it wobbles, lift the Dining Chair some 30cm to 50cm high from the ground, keep your feet and toes well away from the drop zone, and drop the Dining Chair freely and vertically with the four legs, hitting the ground at the same time.

This Drop Test will help to ensure that all the Bolts, Screws and gaps reach full alignment.

Test again for evenness on Level Surface.

If no wobbles are found, proceed to tighten all the Bolts and Screws.

**When tightening the Bolts and Screws, tighten sequentially.**

**Do not tighten any Bolt or Screw fully and then move on towards the next one, this could cause the frame to warp. If it still wobbles, loosen the Bolts and Screws and execute this same drop test.**

**If the Dining Chair is not Stable it could lead to damage to the product.**

### Step 7





Inspect and make sure all parts are fully connected.

Your Dining Chair is ready for use.

**This Dining Chair can only be used on a flat, level surface.**

## Care & Maintenance

-   ● Do not put hot items directly on furniture surface
-   ● Do not clean furniture with harsh cleansers or polish.
-   ● To obtain the longest lifespan of your outdoor products, minimizing exposure to direct sunlight is recommended.
-   ● Children should not climb or jump on the furniture.
-   ● Do not write on furniture without a padded barrier to protect the surface.
-   ● To obtain the longest lifespan of your outdoor products, avoid extended and lengthy exposure to rain, snow, and direct sunshine. Whenever possible cover the product and /or place under patio or awnings.
-   ● Not for commercial use. For residential use only .
-   ● Stains may be removed with mild soap solution and damp cloth.

- 
-   ● Dust and pick-up spills using a clean, non-colored, lint-free cloth .

### Questions & Answers about Proposition 65

#### • What is Proposition 65?

Proposition 65 requires businesses to provide warnings to Californians about significant exposures to chemicals that cause cancer, birth defects or other reproductive harm. These chemicals can be in the products that Californians purchase, in their homes or workplaces, or that are released into the environment. By requiring that this information be provided, Proposition 65 enables Californians to make informed decisions about their exposures to these chemicals.

Proposition 65 also prohibits California businesses from knowingly discharging significant amounts of listed chemicals into sources of drinking water.

Proposition 65 requires California to publish a list of chemicals known to cause cancer, birth defects or other reproductive harm. This list, which must be updated at least once a year, has grown to include approximately 900 chemicals since it was first published in 1987.

#### • What types of chemicals are on the Proposition 65 list?

The list contains a wide range of naturally occurring and synthetic chemicals that include additives or ingredients in pesticides, common household products, food, drugs, dyes, or solvents. Listed chemicals may also be used in manufacturing and construction, or they may be byproducts of chemical processes, such as motor vehicle exhaust.

#### • What does a warning mean?

If a warning is placed on a product label or posted or distributed at a workplace, a business, or in rental housing, the business issuing the warning is aware or believes that it is exposing individuals to one or more listed chemicals.

By law, a warning must be given for listed chemicals unless the exposure is low enough to pose no significant risk of cancer or is significantly below levels observed to cause birth defects or other reproductive harm.

#### • Where can I get more information on Proposition 65?

If you have specific questions on the administration or implementation of Proposition 65, you can contact OEHHA's Proposition 65 program at [P65.Questions@oehha.ca.gov](mailto:P65.Questions@oehha.ca.gov), or by phone at (916) 445-6900.