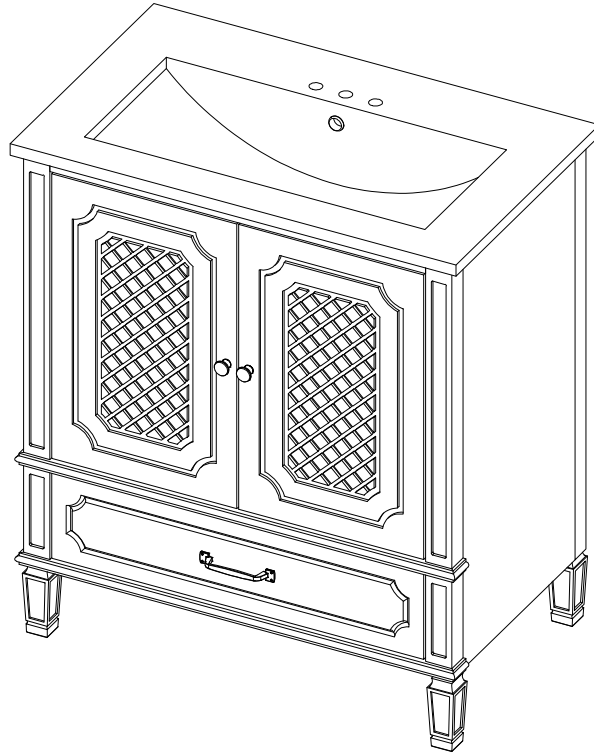


# ASSEMBLY INSTRUCTIONS

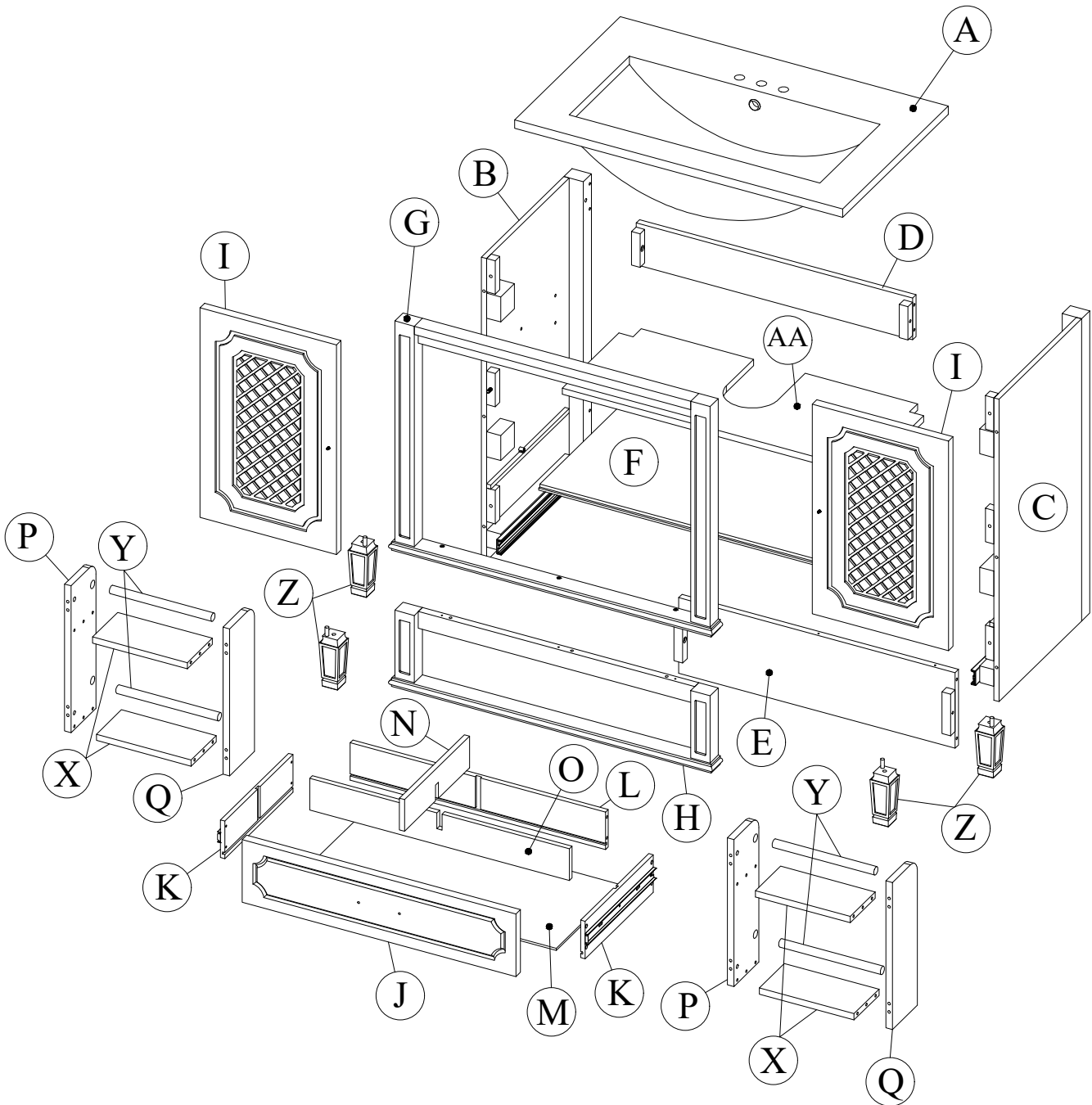
Thank you for purchasing this quality Product. Be sure to check all packing material carefully for small parts, which may have come loose inside carton during shipment. identify and count all parts and compare with the parts list below.



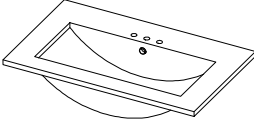
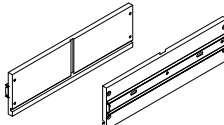
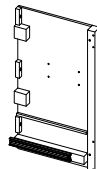
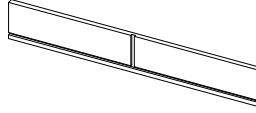
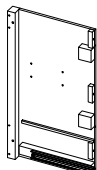
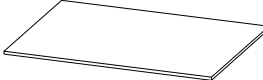
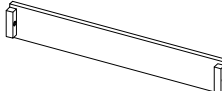
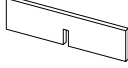
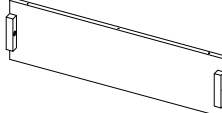
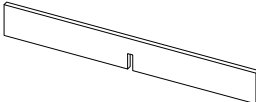

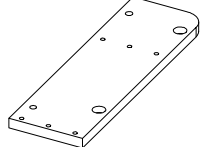
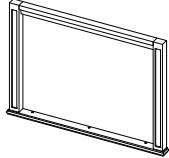
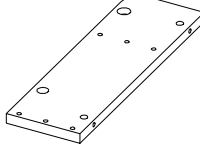
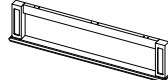
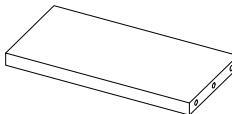
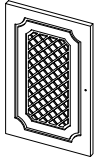
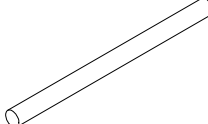
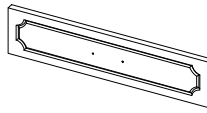

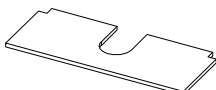
## ASSEMBLY INSTRUCTION:

1. Remove hardware from box and sort by size.
  2. Please check to see that all hardware and parts are present prior start of assembly.
  3. Please follow attached instruction in the same sequence as numbered assure fast and easy assembly.
- 
1. Don't attempt to repair or modify parts that are broken or defective. Please contact the store immediately.
  2. This products for home use only and not intended for commercial establishments.
  3. Two persons are required for assembly.
  4. Approximate assembly time 1/2 hours.
  5. Component parts and fittings contained in the box. Please sort out all parts before you begin to assemble the item. This is to make sure you always use the correct part.
  6. It is **STRONGLY RECOMMENDED** that you **ANCHOR** this product tooling furniture can cause serious injuries and death. To prevent your furniture from tipping forward it is strongly recommended that you securely attach this product to a wall other solid surface, using the anchor straps provided appropriate fixings.




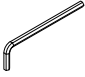

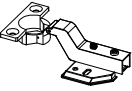




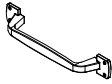


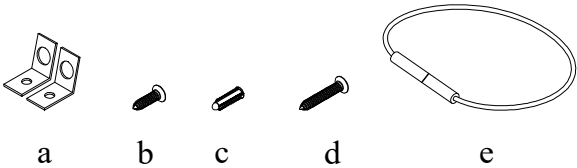




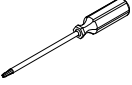
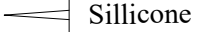
# DETAIL VIEW



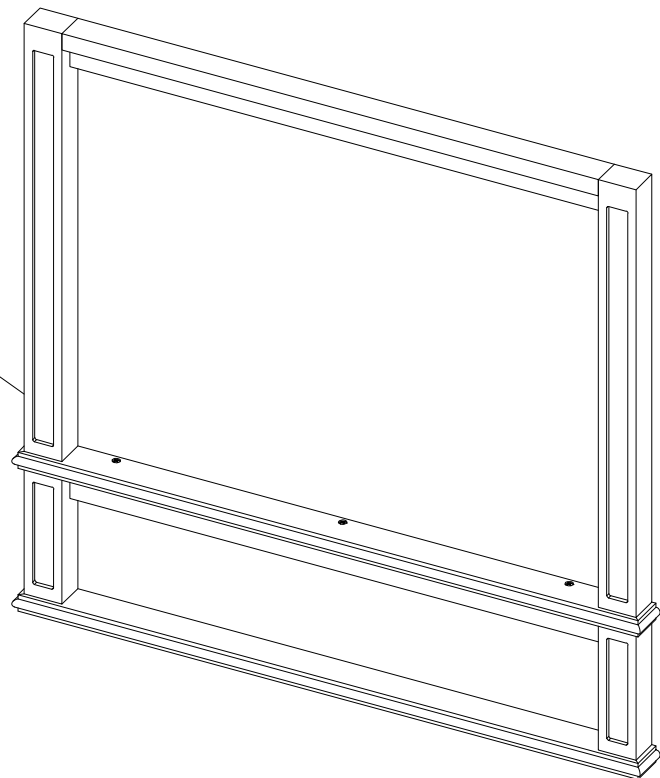
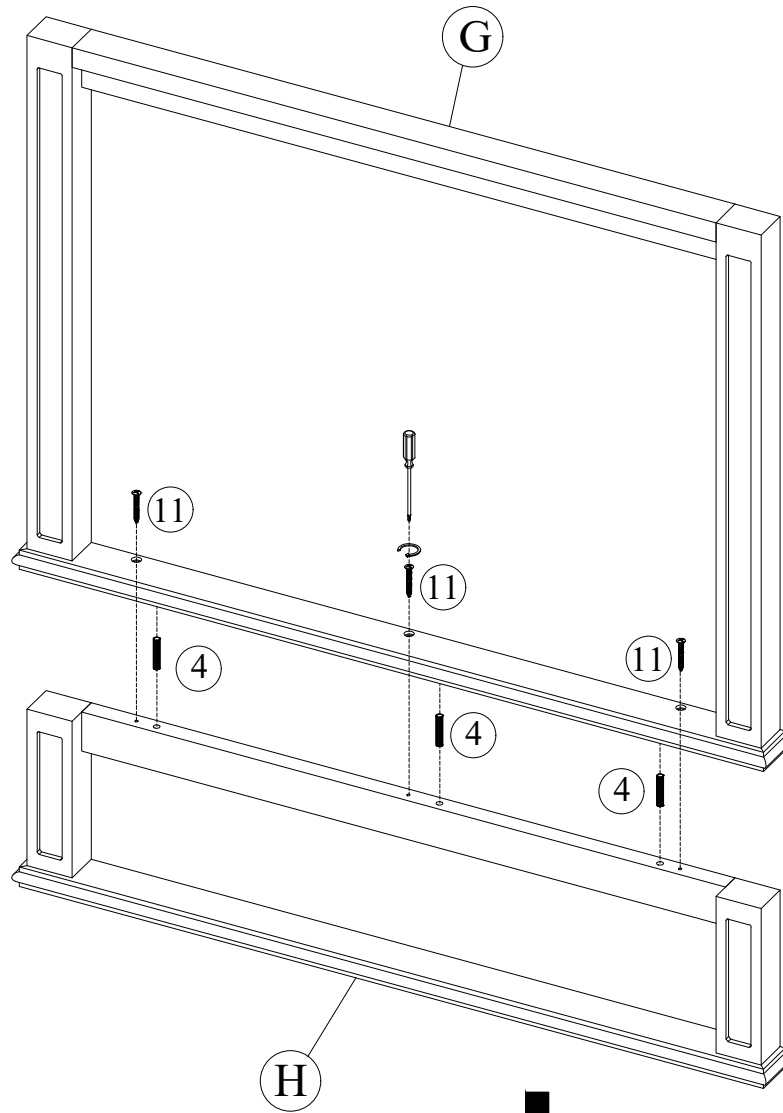
# PART LIST

No.	Component		Q'ty	No.	Component		Q'ty
A		Sink	1	K		Drawer sides (R/L)	2
B		Side panel (left)	1	L		Drawer back	1
C		Side panel (right)	1	M		Drawer bottom	1
D		Back panel (top)	1	N		Middle panel 1 (drawer)	1
E		Back panel (bottom)	1	O		Middle panel 2 (drawer)	1
F		Bottom	1	P		Side panel-left (shelf)	2
G		Front - top	1	Q		Side panel-right (shelf)	2
H		Front - bottom	1	X		Bottoms (shelf)	4
I		Door (R/L)	2	Y		Bars (shelf)	4
J		Drawer Front	1	Z		Legs	4
				AA		Adjustable shelf	1

# HARDWARE LIST

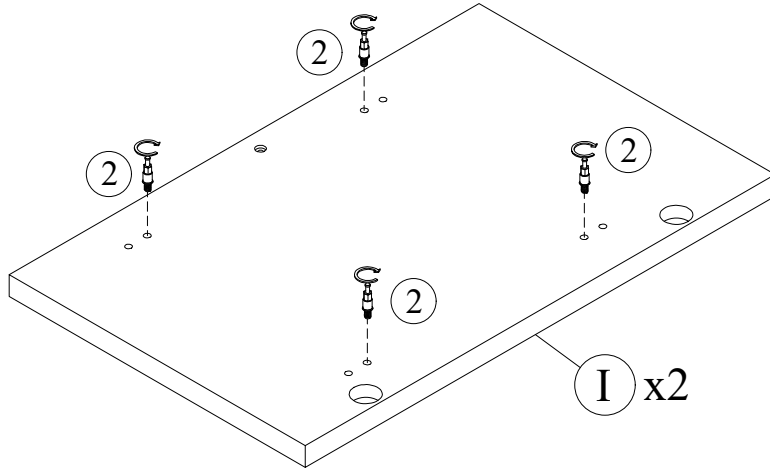
No.	Hardware	Q'ty	No.	Hardware	Q'ty
1	 Allen Bolts 1/4"x35	10	11	 Screws 4x30	3
2	 Cam lock screws	16	12	 Allen key	1
3	 Cam lock	16	13	 Hinges	4
4	 Wooden dowels	41	14	 Screws 4x15	24
5	 Knob	2	15	 Shelf pin	4
6	 Handle	1	16	 Allen Bolts 5/16"x120	4
7	 Bolts M4x20	2	 <p>17</p> <p>a      b      c      d      e</p> <p>Wall brackets 1 set</p>		
8	 Bolts M4x25	2			
9	 Screws 3.5x12	4			
10	 Screws 4x25	3			
10a	 Screws 4x40	8			
			 <p>Not included</p> 		

STEP 1

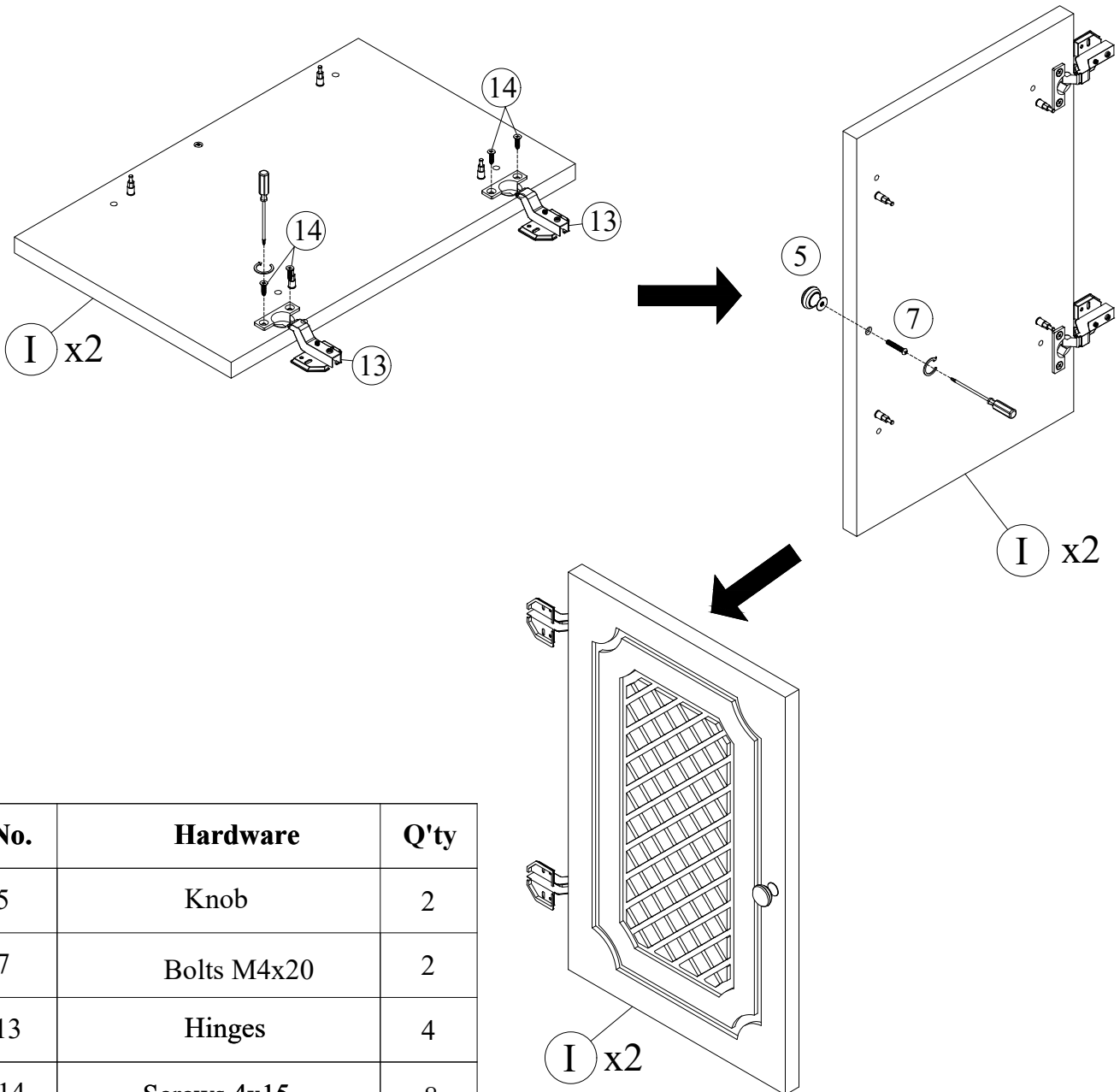
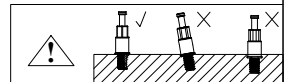


No.	Hardware	Q'ty
4	Wooden dowels	3
11	Screws 4x30	3

**STEP 2**

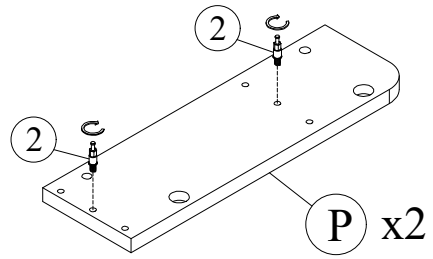
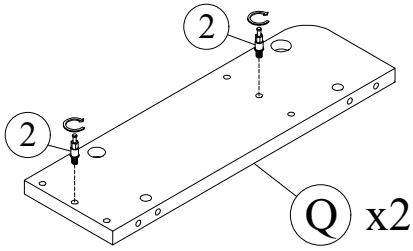


No.	Hardware	Q'ty
2	Cam lock screws	8

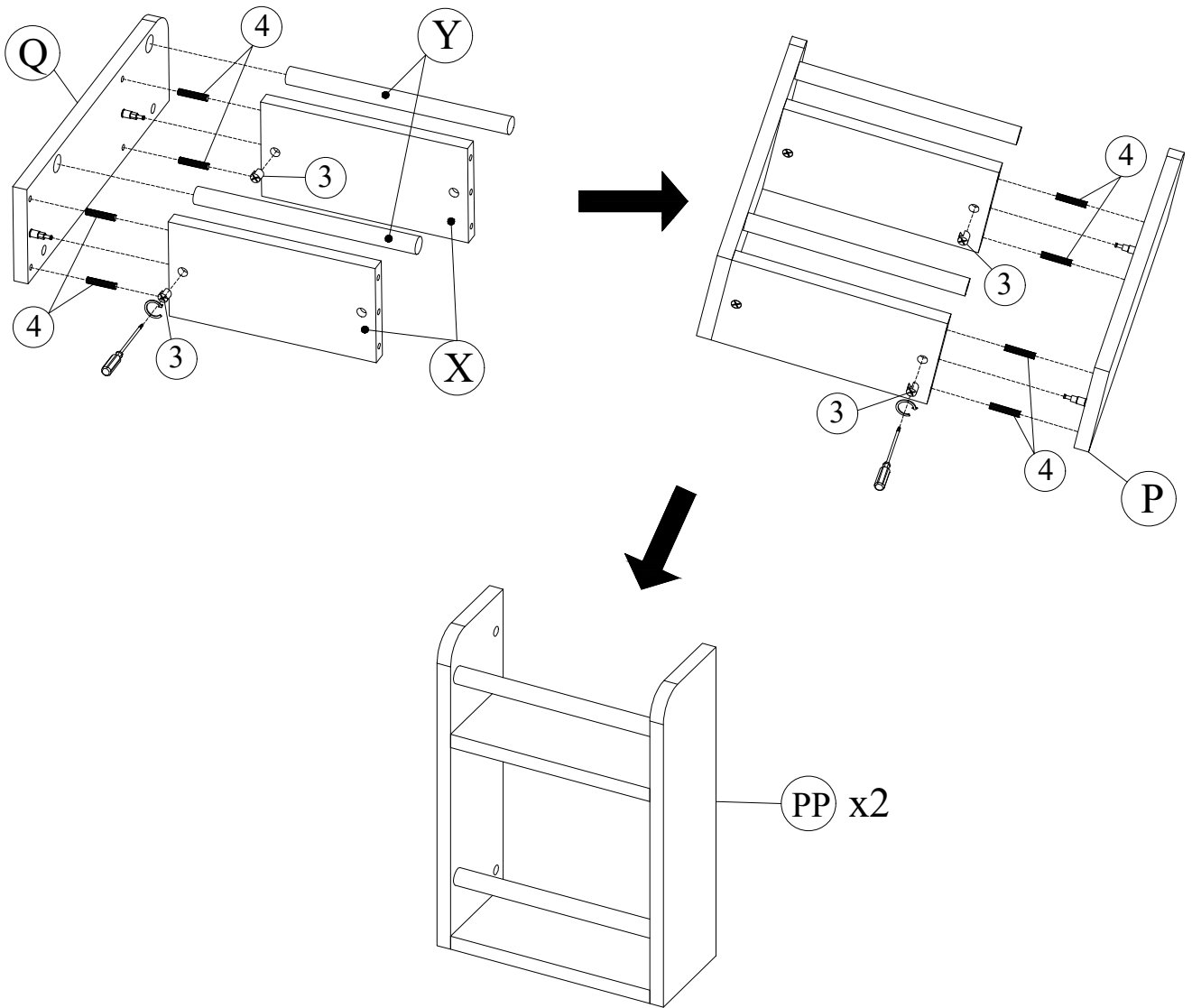
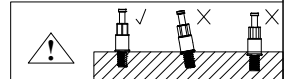


No.	Hardware	Q'ty
5	Knob	2
7	Bolts M4x20	2
13	Hinges	4
14	Screws 4x15	8

**STEP 3**

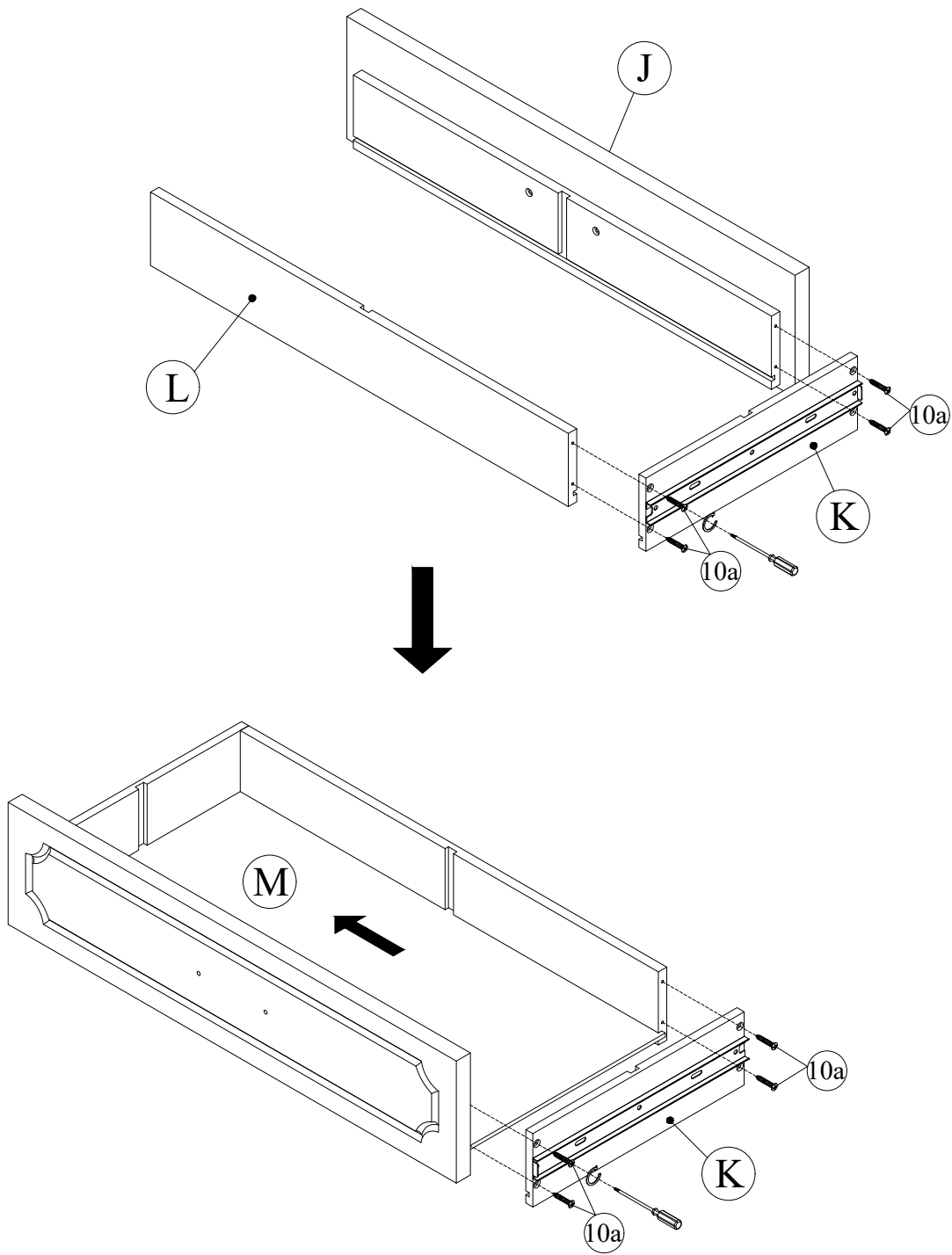


No.	Hardware	Q'ty
2	Cam lock screws	8



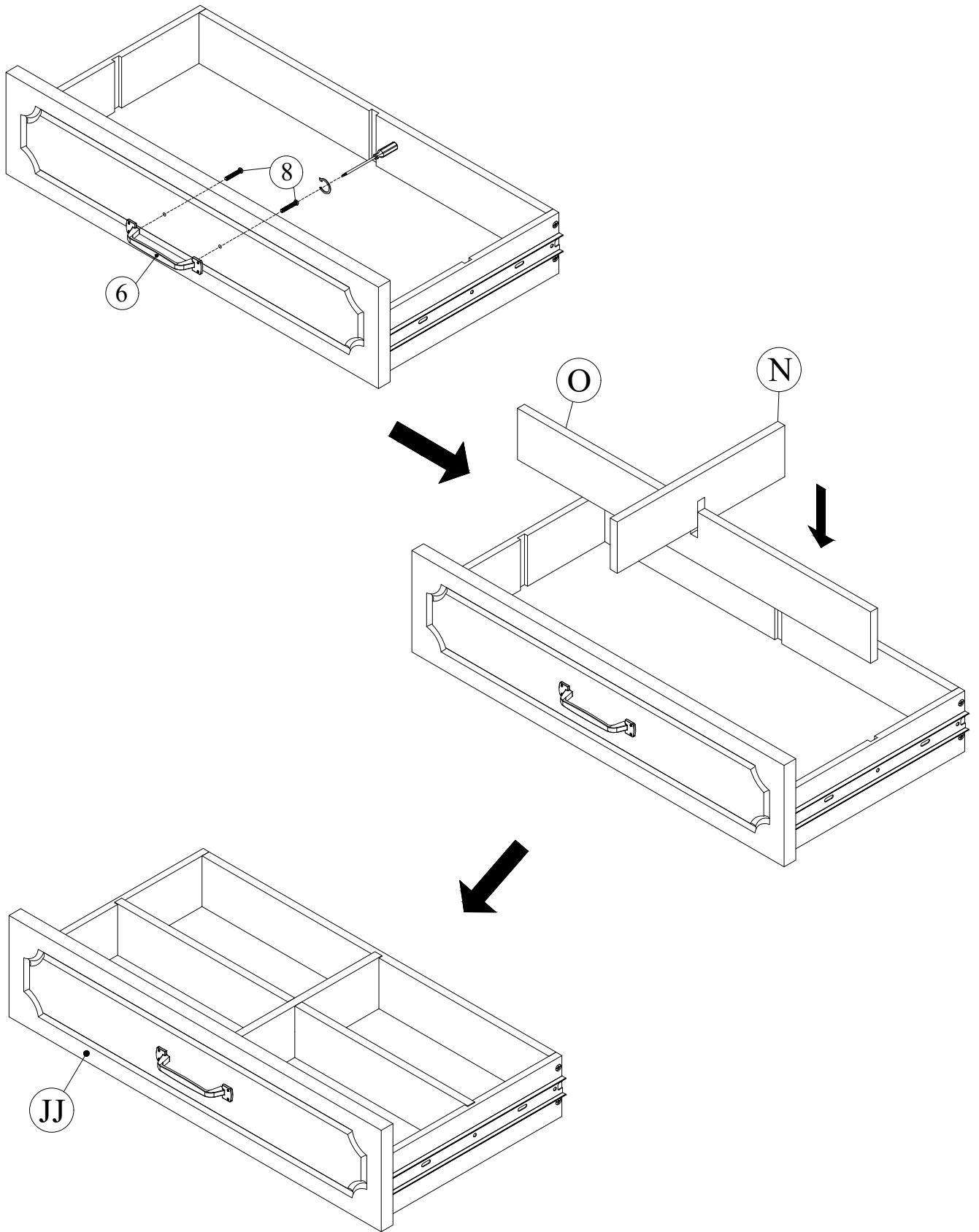
No.	Hardware	Q'ty
3	Cam locks	8
4	Wooden dowels	16

STEP 4



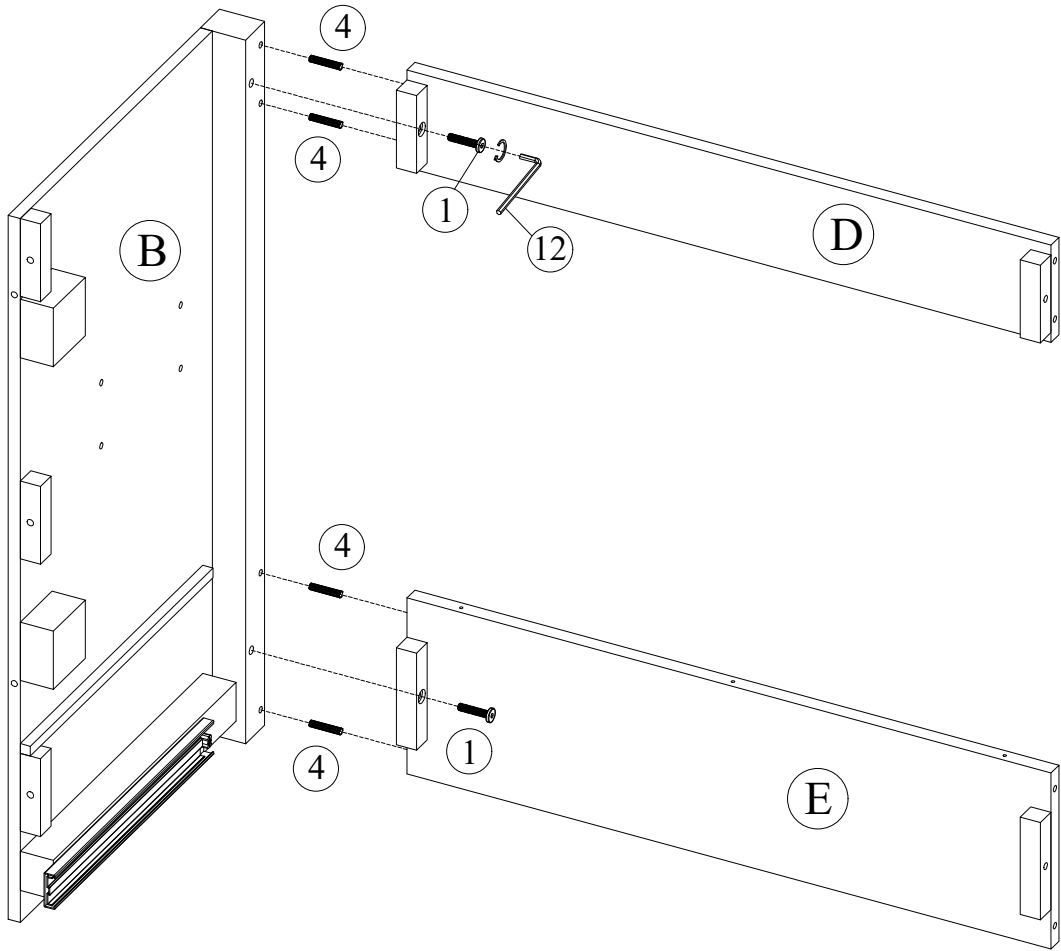
No.	Hardware	Q'ty
10a	Screws 4x40	8

STEP 5



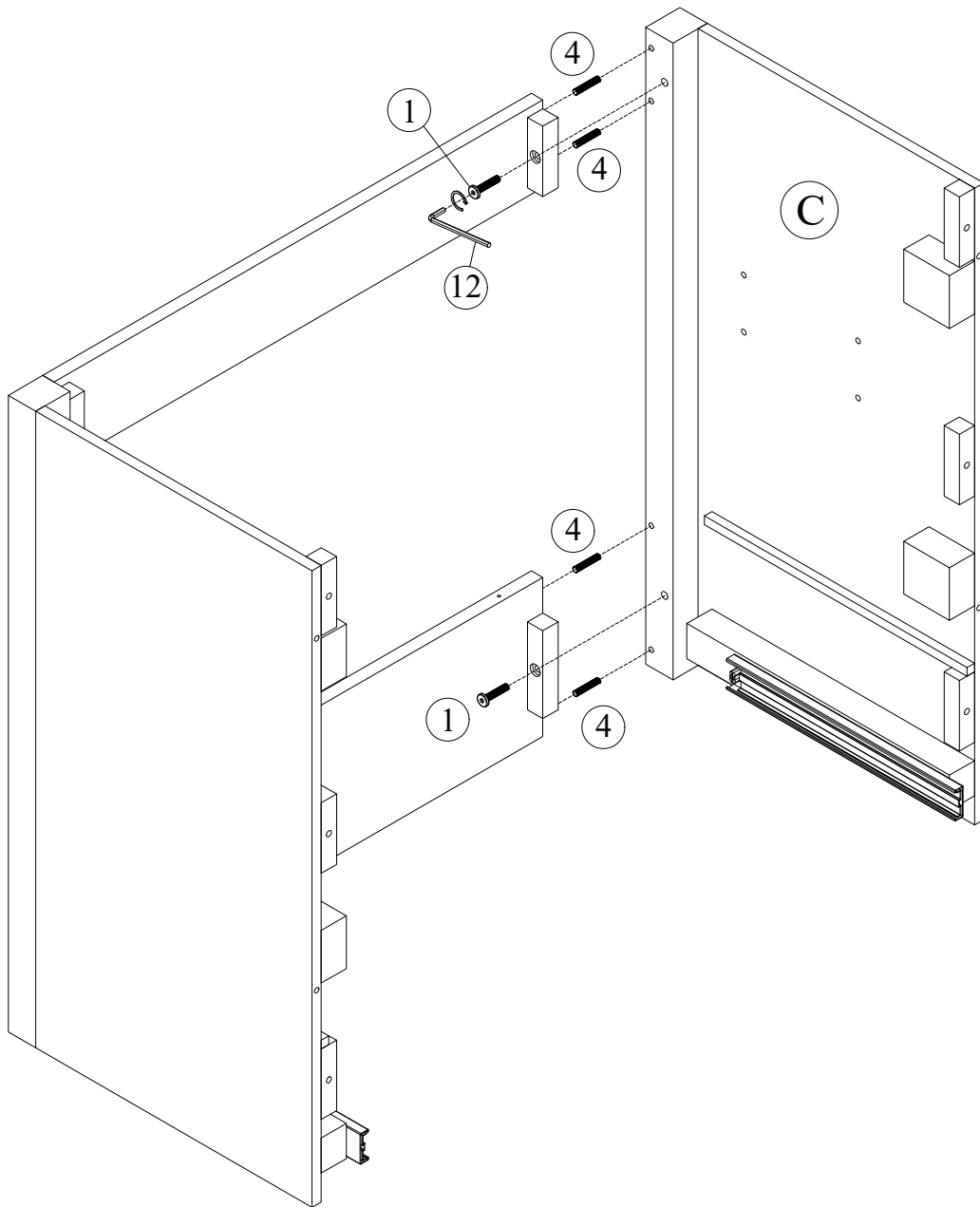
No.	Hardware	Q'ty
6	Handles	1
8	Bolt M4x25	2

**STEP 6**



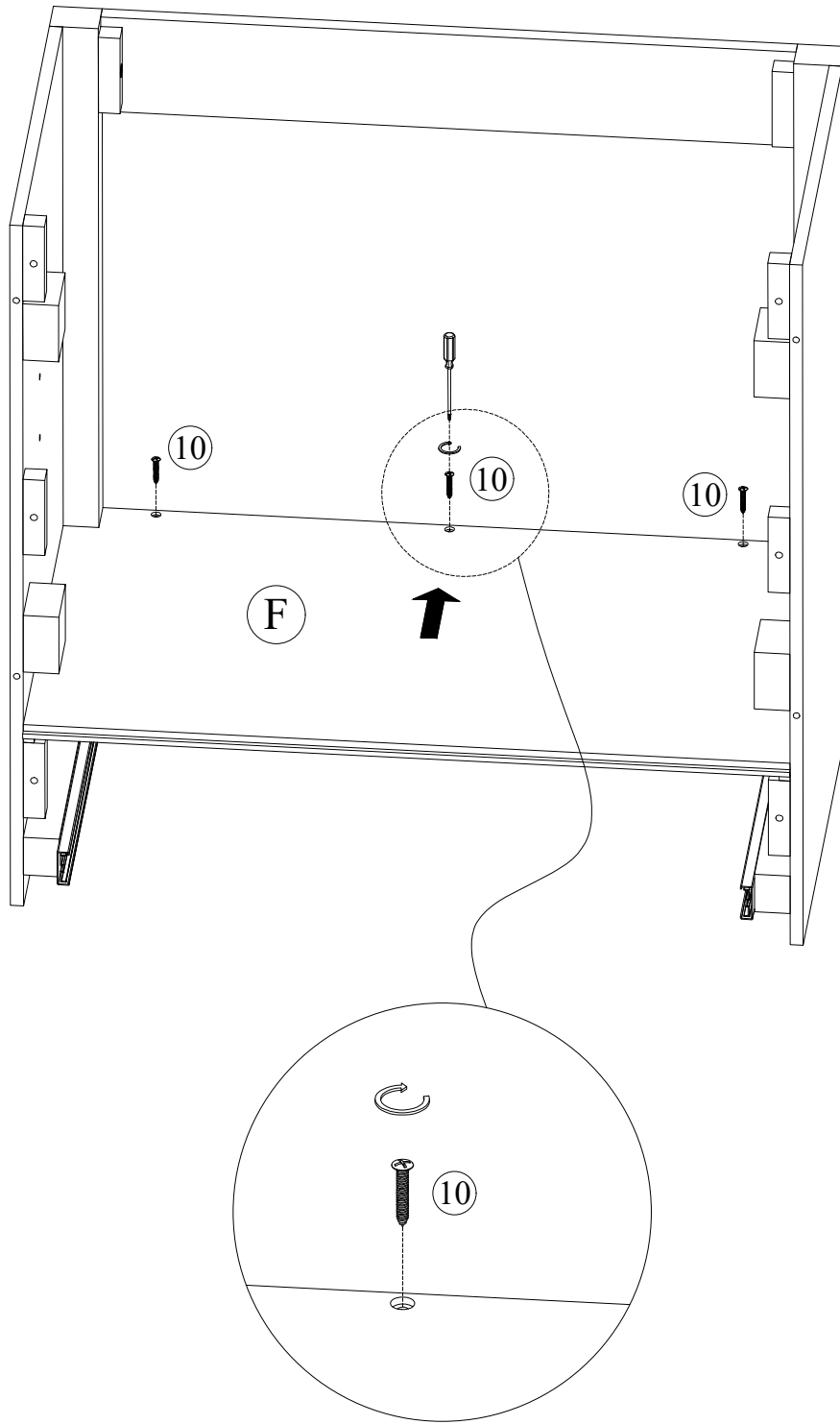
No.	Hardware	Q'ty
1	Allen Bolts 1/4"x35	2
4	Wooden dowels	4
12	Allen key	1

STEP 7



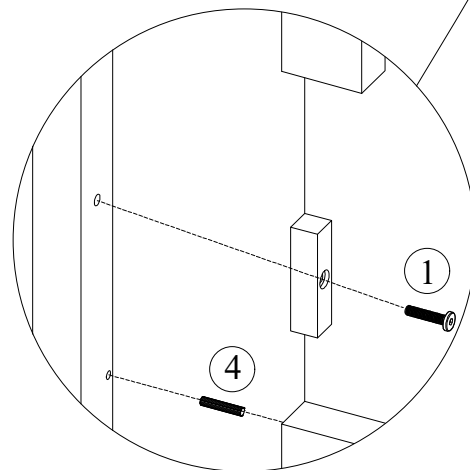
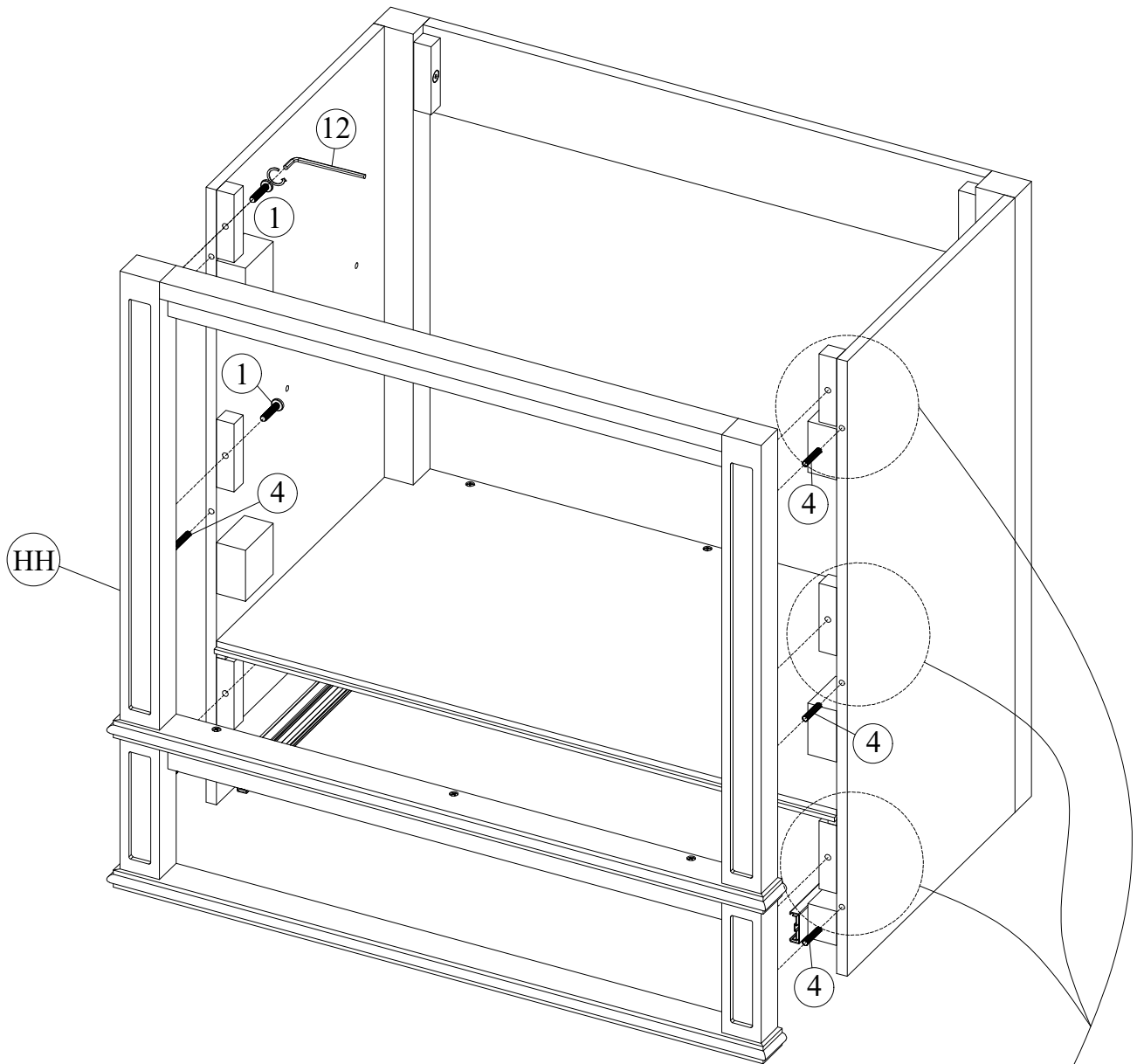
No.	Hardware	Q'ty
1	Allen Bolts 1/4"x35	2
4	Wooden dowels	4
12	Allen key	1

STEP 8



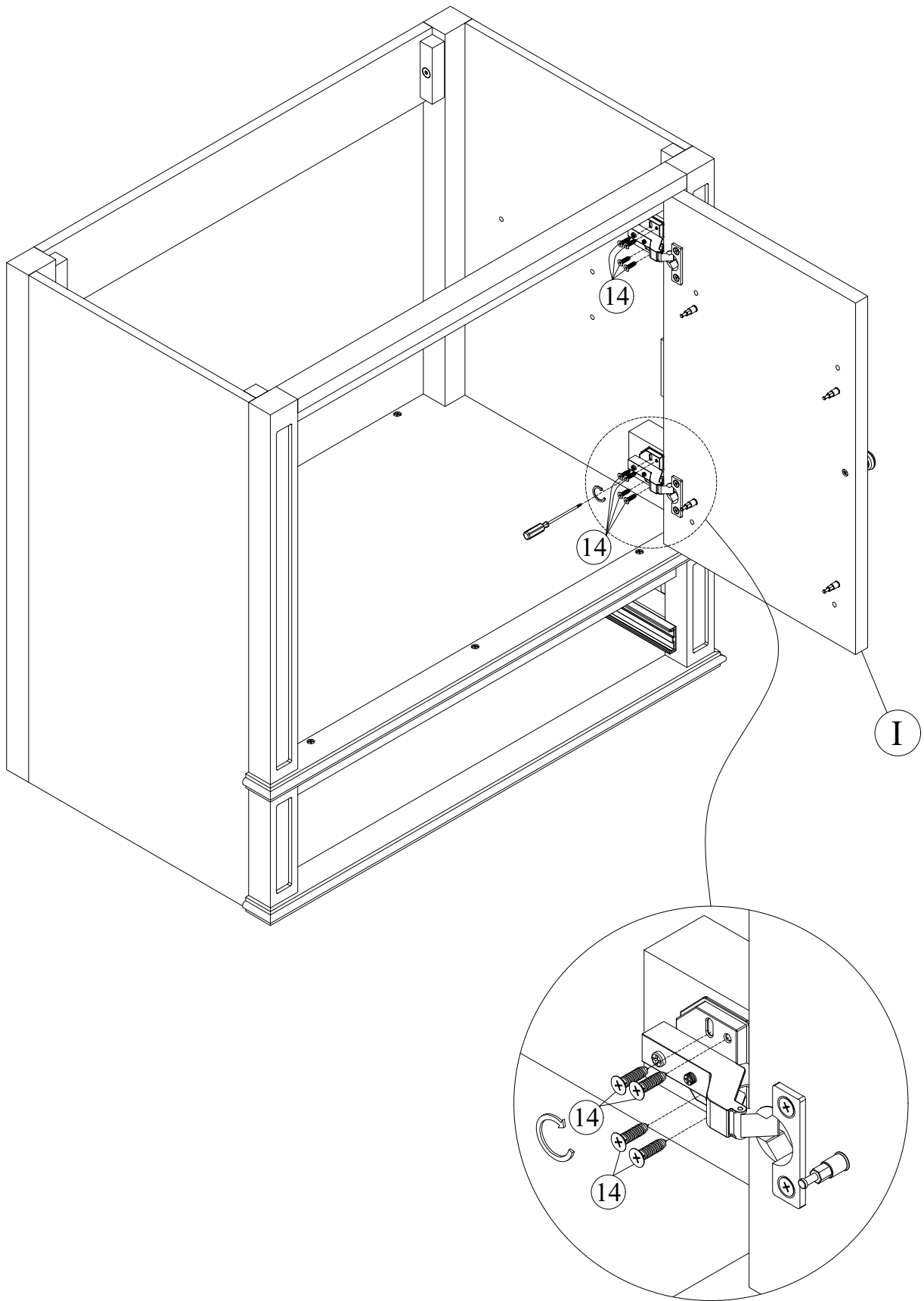
No.	Hardware	Q'ty
10	Screws 4x25	3

**STEP 9**



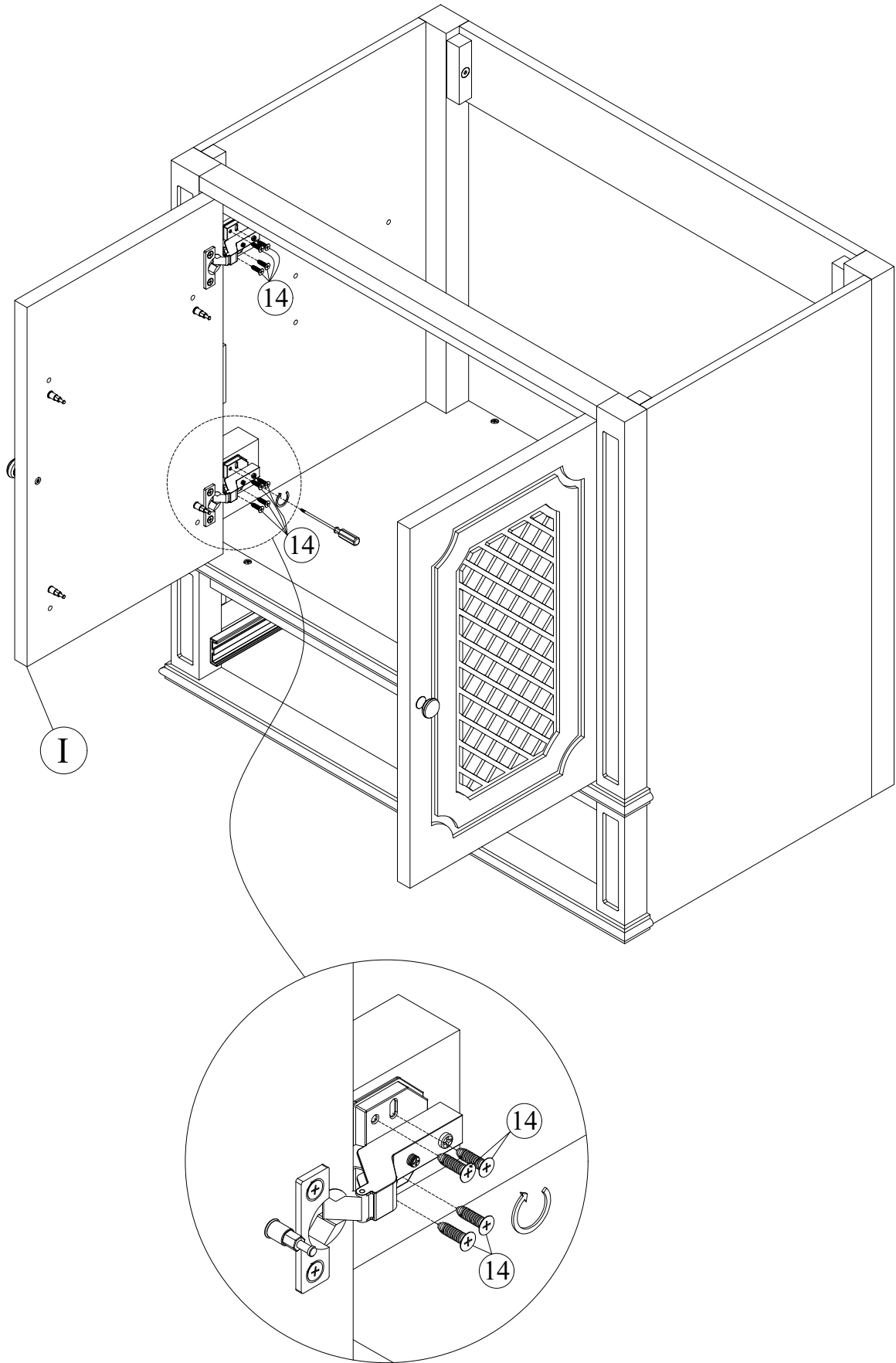
No.	Hardware	Q'ty
1	Allen Bolts 1/4"x35	6
4	Wooden dowels	6
12	Allen key	1

STEP 10



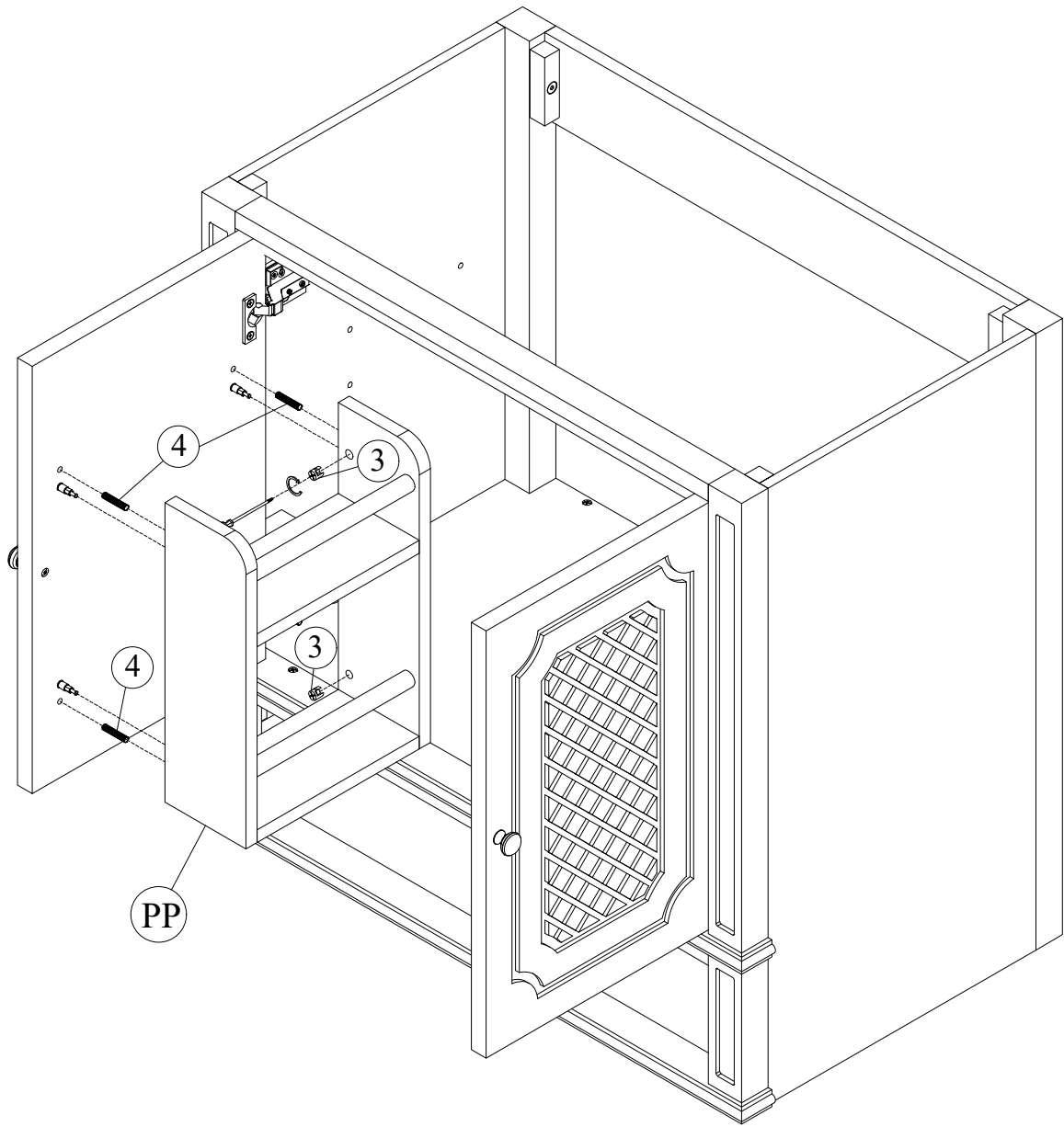
No.	Hardware	Q'ty
14	Screws 4x15	8

STEP 11



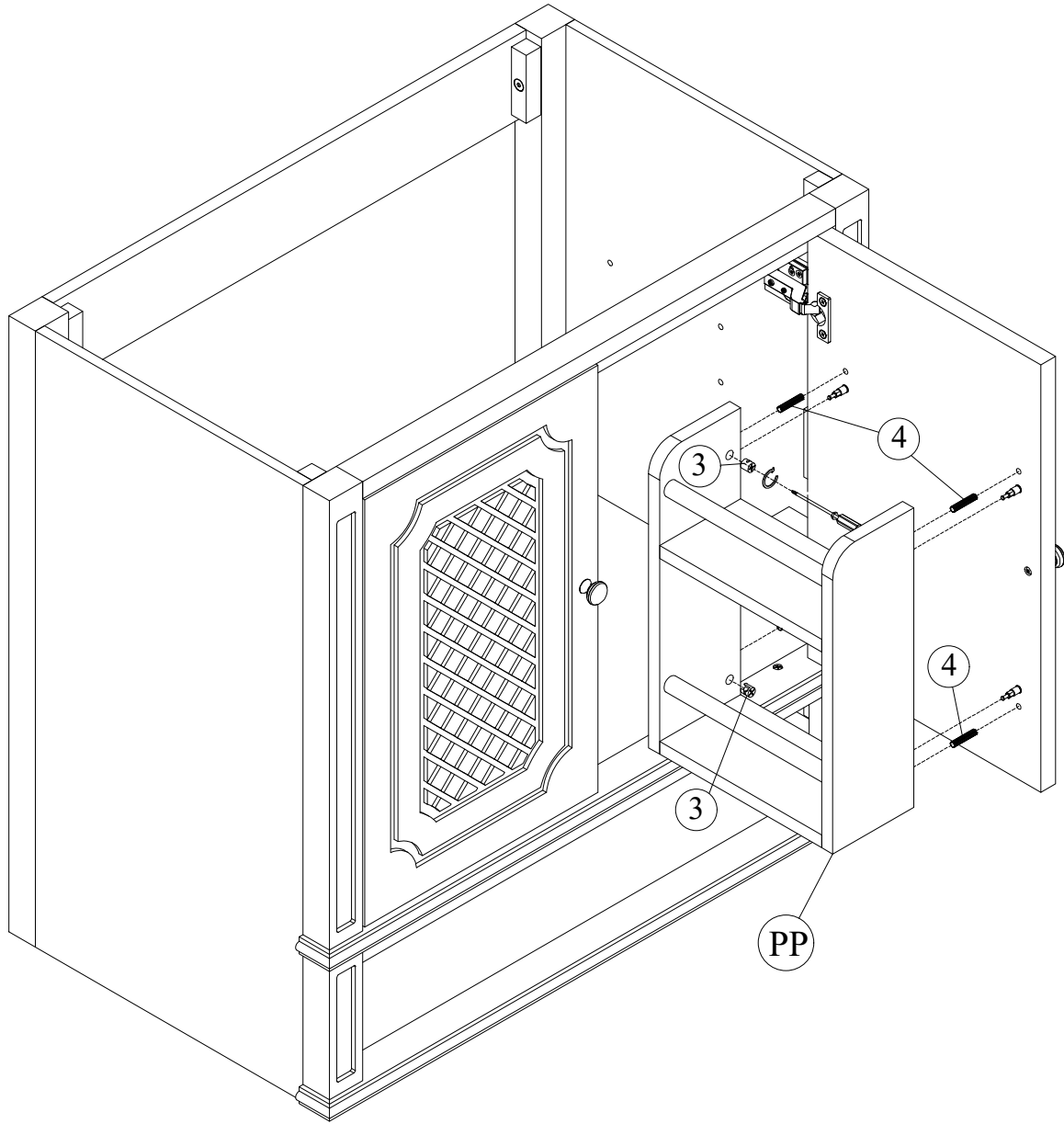
No.	Hardware	Q'ty
14	Screws 4x15	8

STEP 12



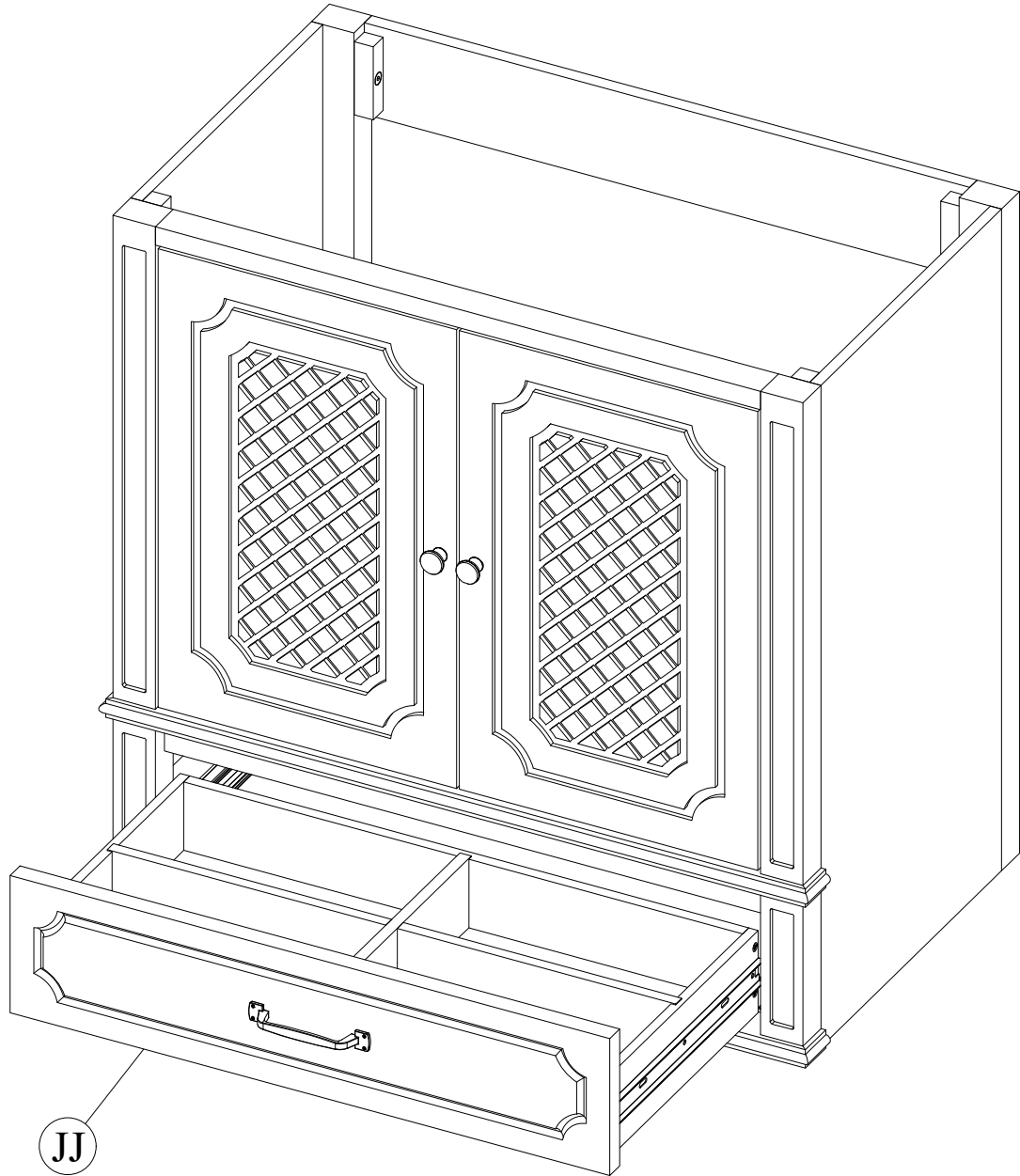
No.	Hardware	Q'ty
3	Cam locks	4
4	Wooden dowels	4

**STEP 13**

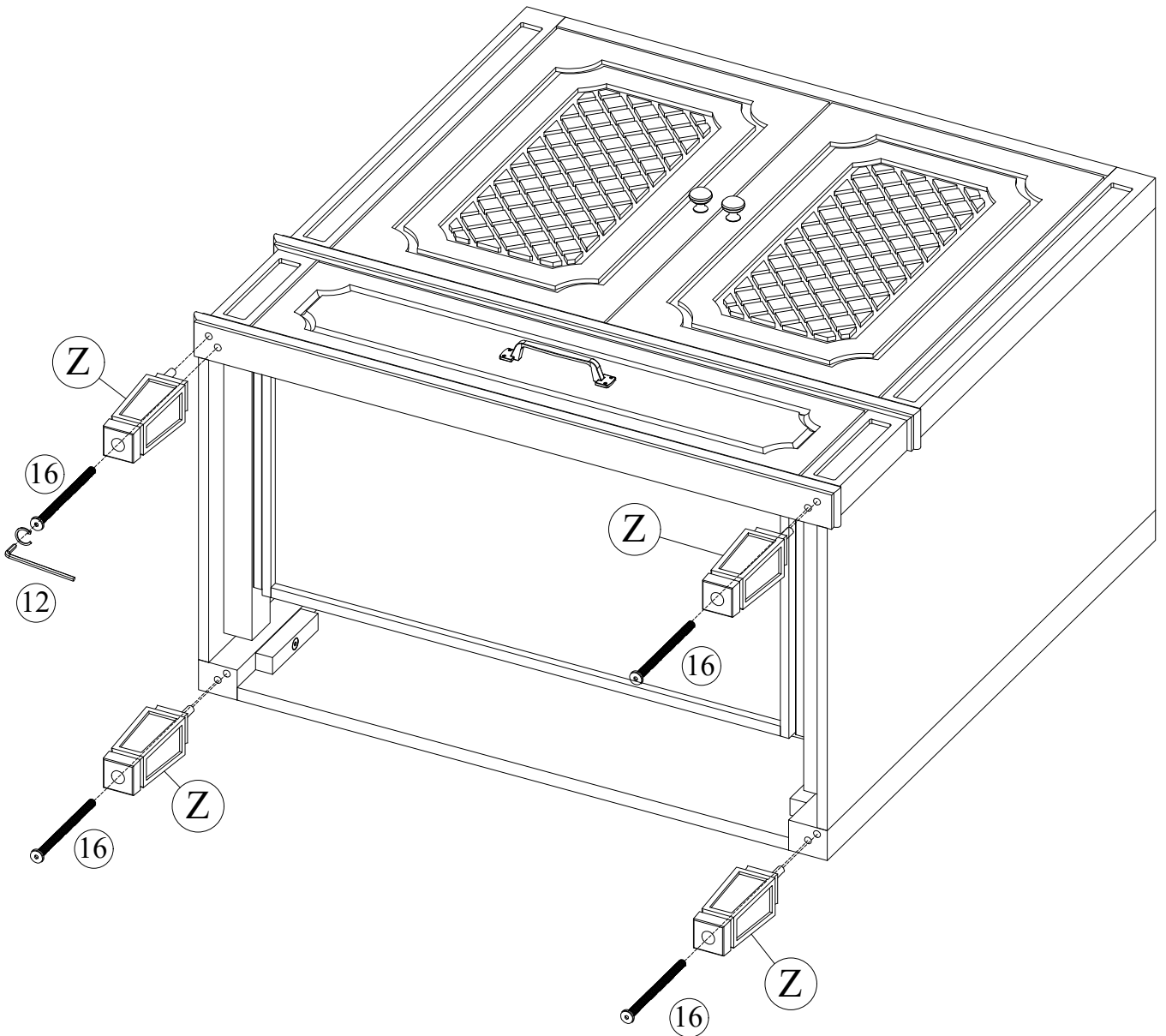


No.	Hardware	Q'ty
3	Cam locks	4
4	Wooden dowels	4

STEP 14

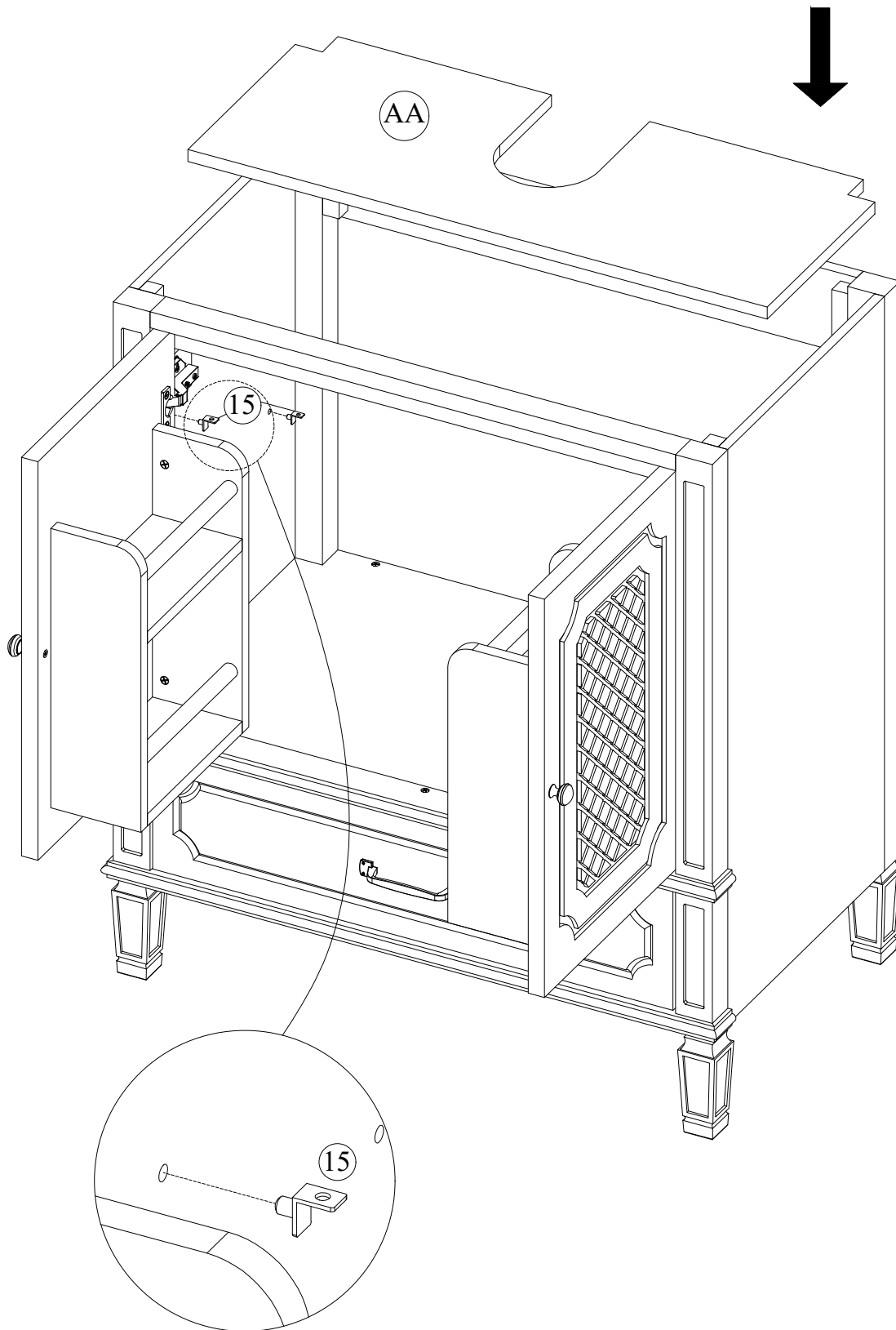


STEP 15



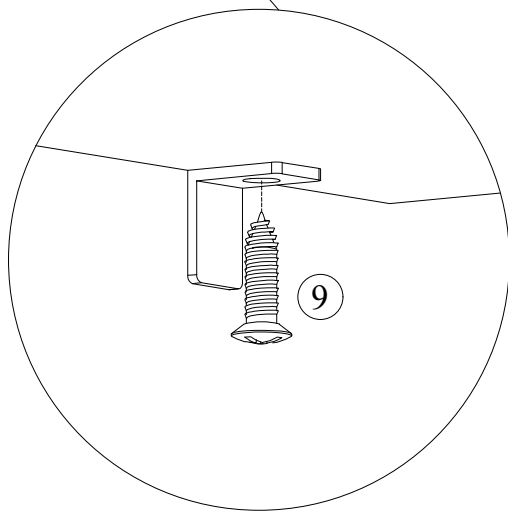
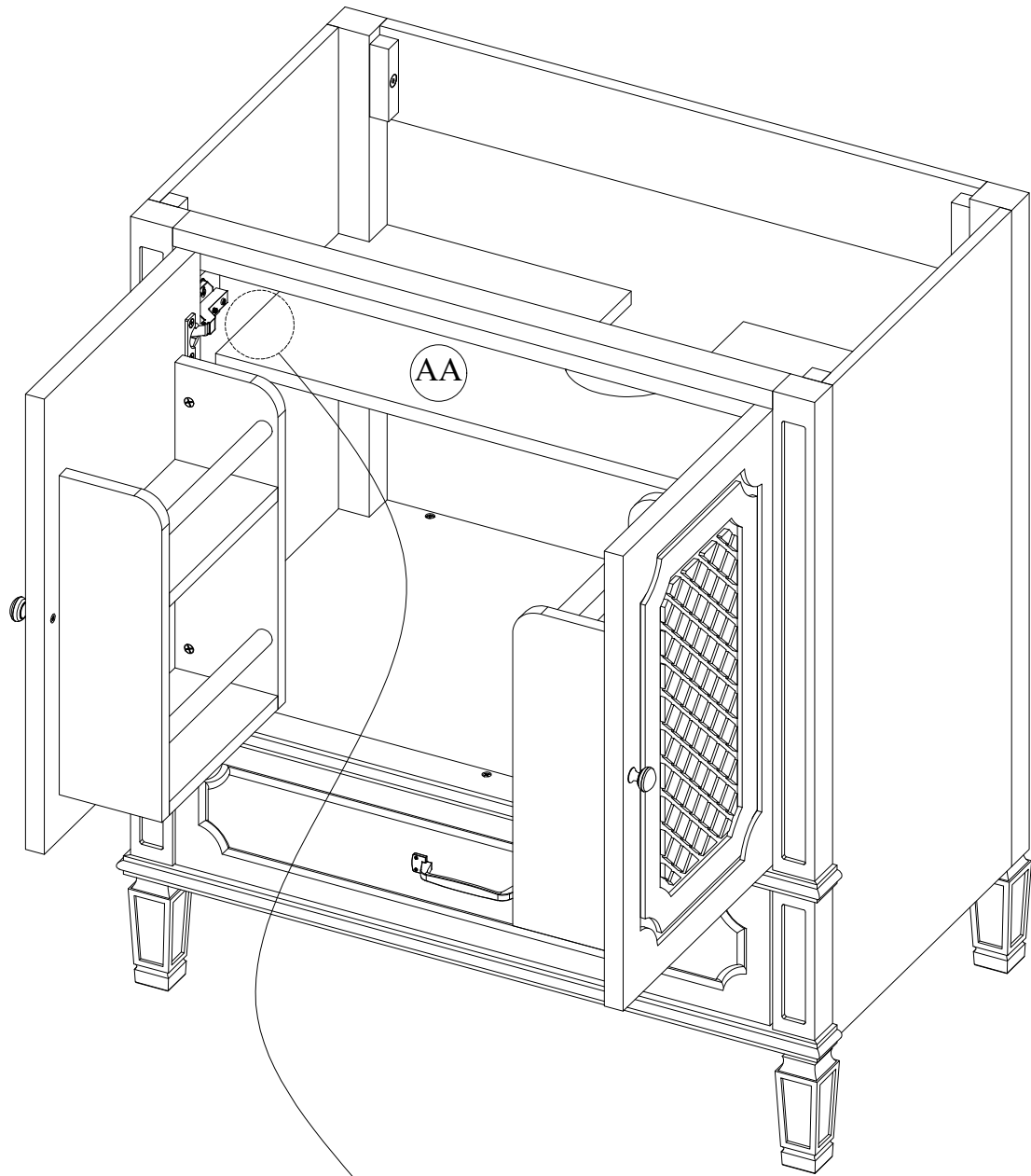
No.	Hardware	Q'ty
12	Allen key	1
16	Allen Bolts 5/16"x120	4

STEP 16



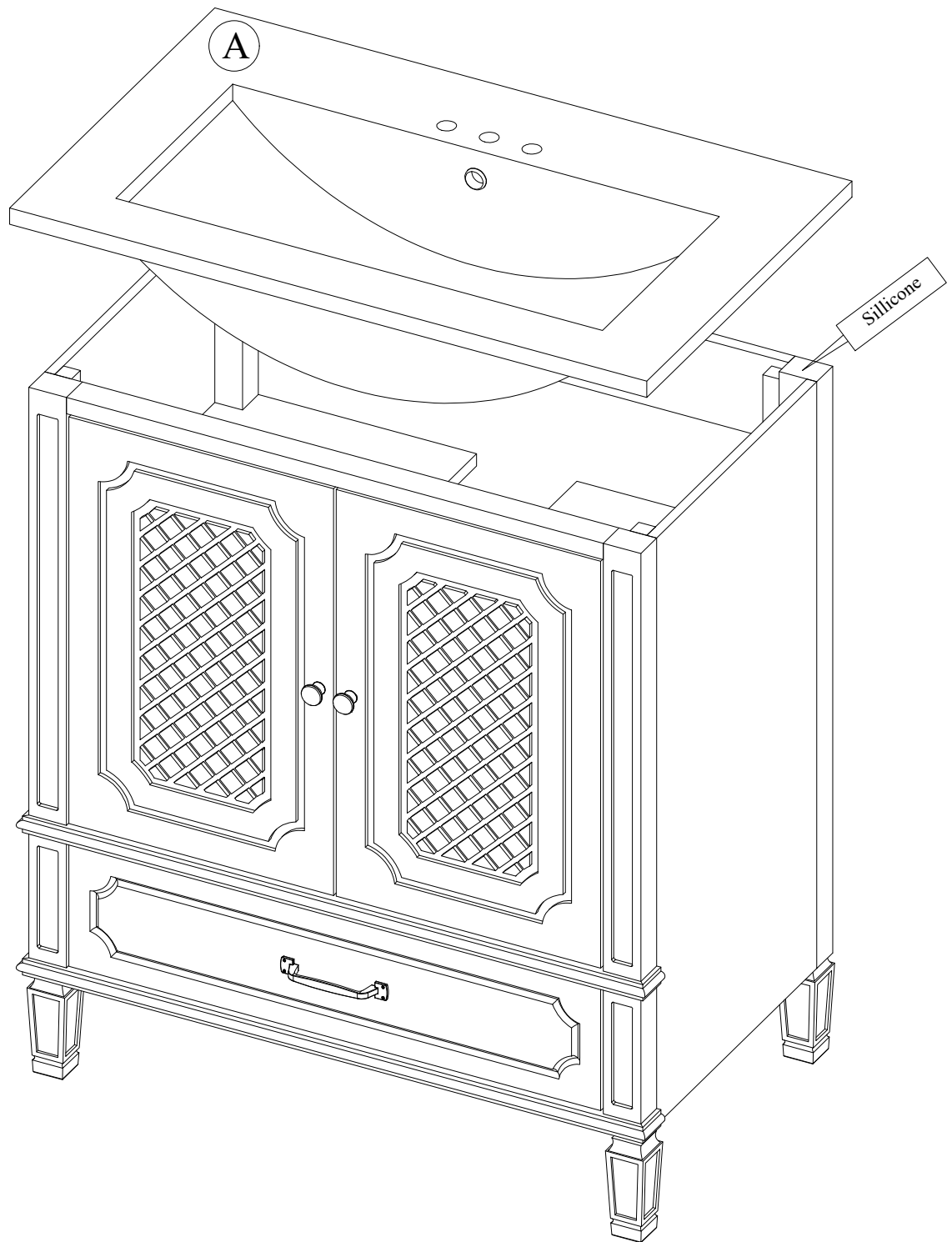
No.	Hardware	Q'ty
15	Shelf pin	4

STEP 17



No.	Hardware	Q'ty
9	Screws 3.5x12	4

**STEP 18**



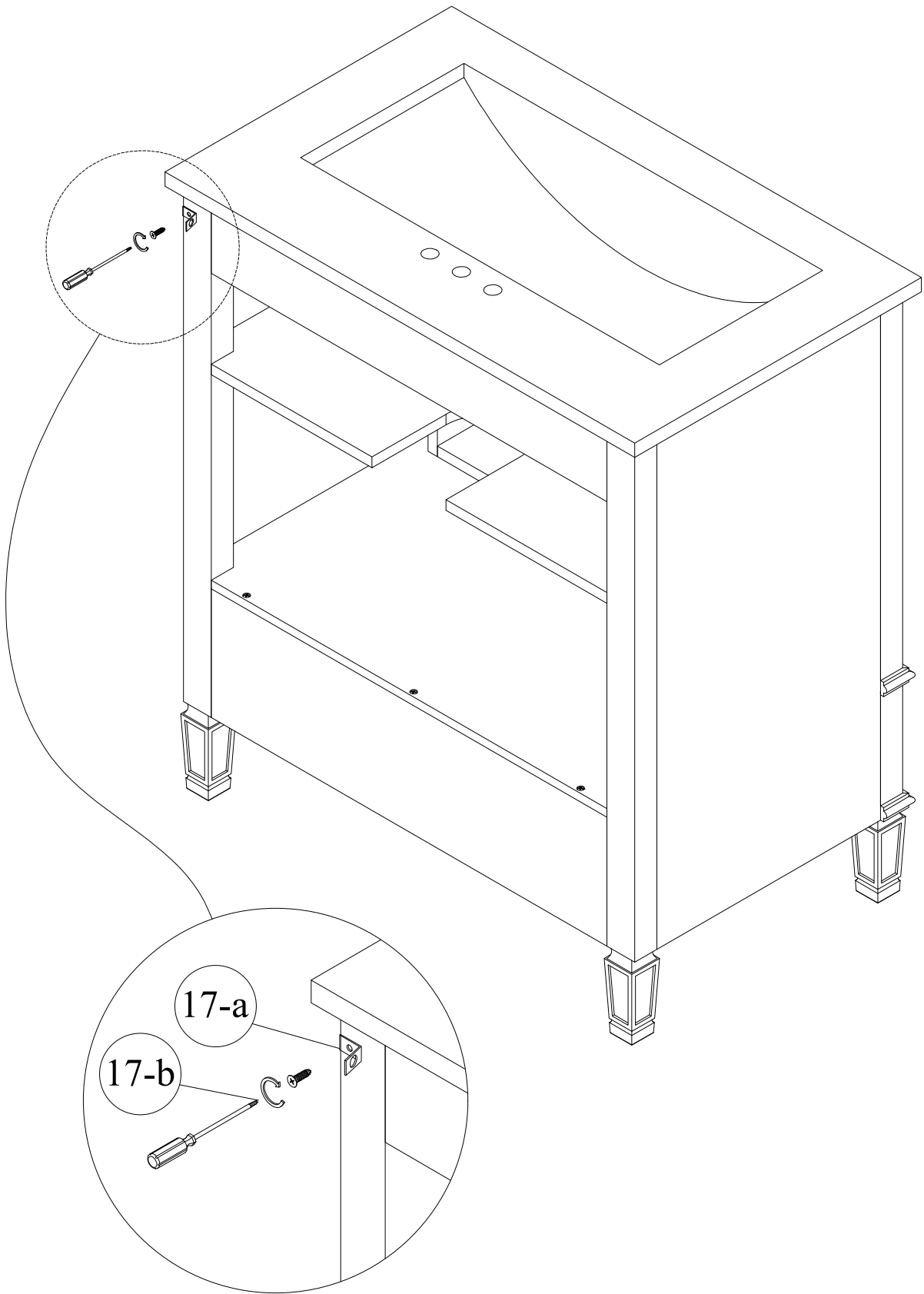
**Install the Sink on the cabinet with glue.**



**Let stand for 24 hours.**

**Apply silicone caulk to the top edge of the wood cabinet.**

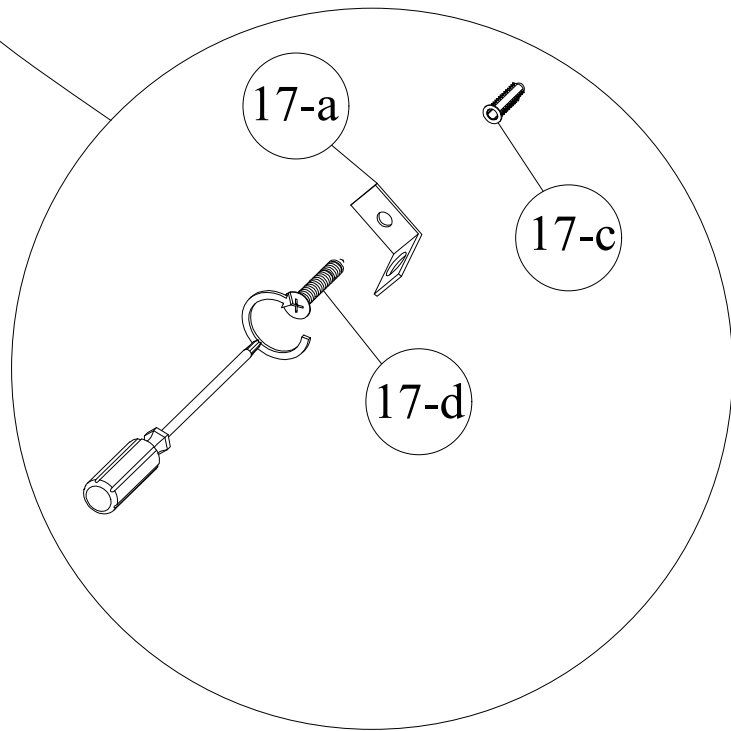
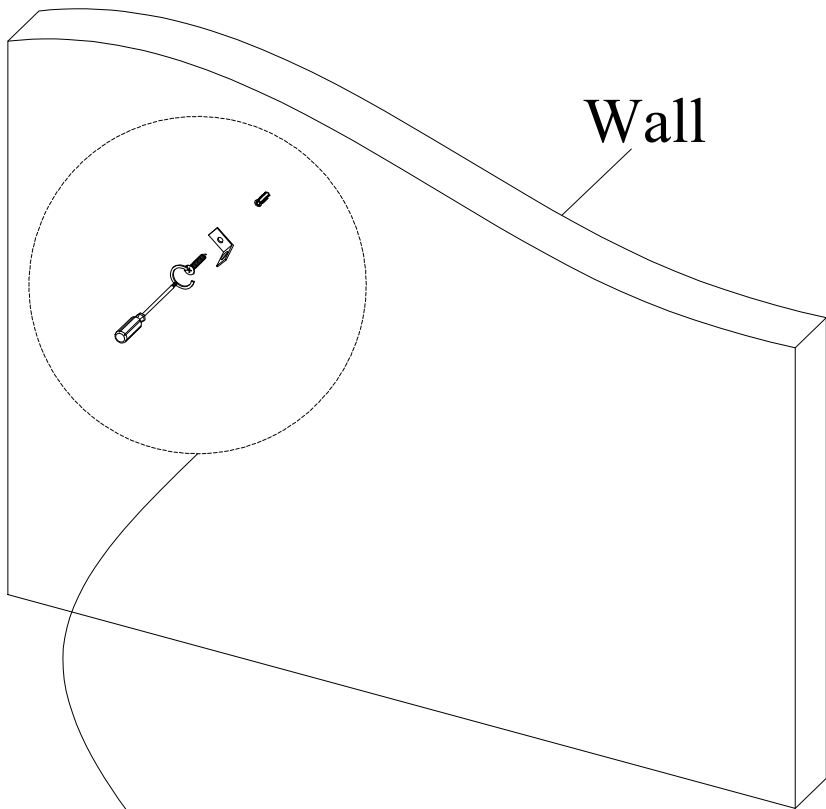
**With the help of another adult, gently lower the Sink top with assembled sink onto the cabinet.**




STEP 19



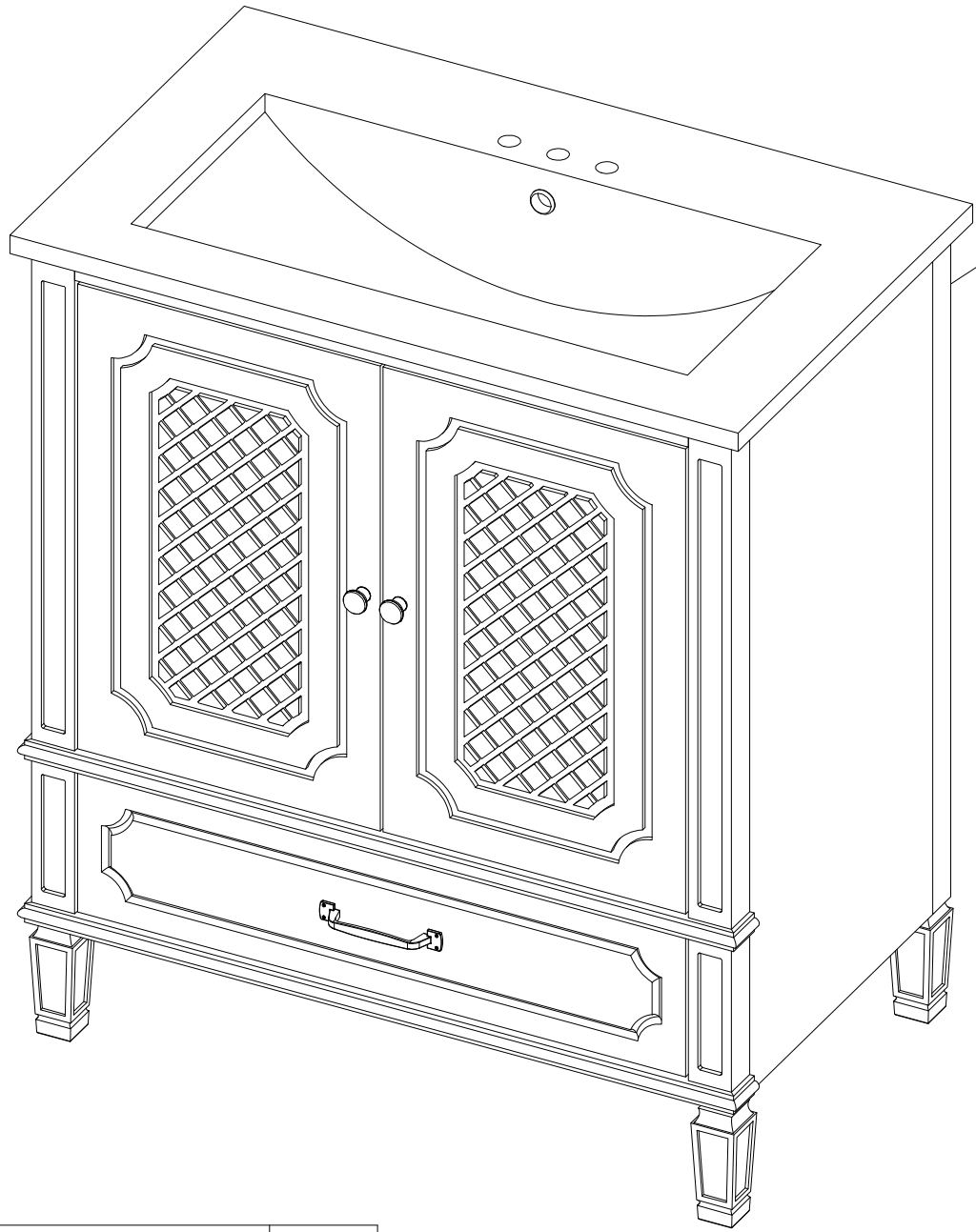
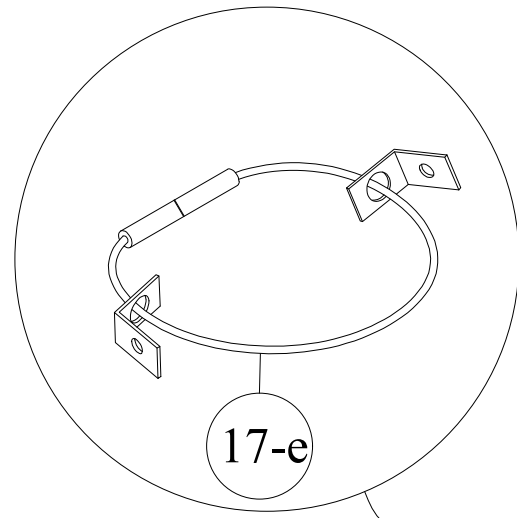
No.	Hardware	Q'ty
17-a		1
17-b		1

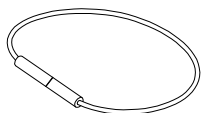
**STEP 20**



No.	Hardware	Q'ty
17-a		1
17-c		1
17-d		1

STEP 21



No.	Hardware	Q'ty
17-e		1

# FINISH

