

# Assembly Instructions

## Swivel Barstool



### Note

1. Please check the parts list before assembly and read the instructions step by step carefully. Wrong ways might result in incomplete assembly, more seriously, causing personal injury and property damage in the future.
2. Because of the weight of the base and armrests, sometimes it might be easier to assemble when putting one side of the chair on the ground.
3. If it's possible please find another person to help you. Using an electric screwdriver would make the assembly much easier.
4. If you have any problems during the assembly that you can't solve on your own, please contact us immediately through platform, we'll reply to you as soon as possible.

# Parts List

A



1 PC Backrest

B



1 PC Base

C



2 PCS Support Feet

D



2 PCS Crossbars

E



2 PCS Crossbars

F



2 PCS Crossbars

G



1 PCS  
Swivel Bearing Plate

H



4 PCS  
Screws M6x40MM

I



4 PCS  
Screws M8x30MM

J



12 PCS  
Screws M6x20MM

K



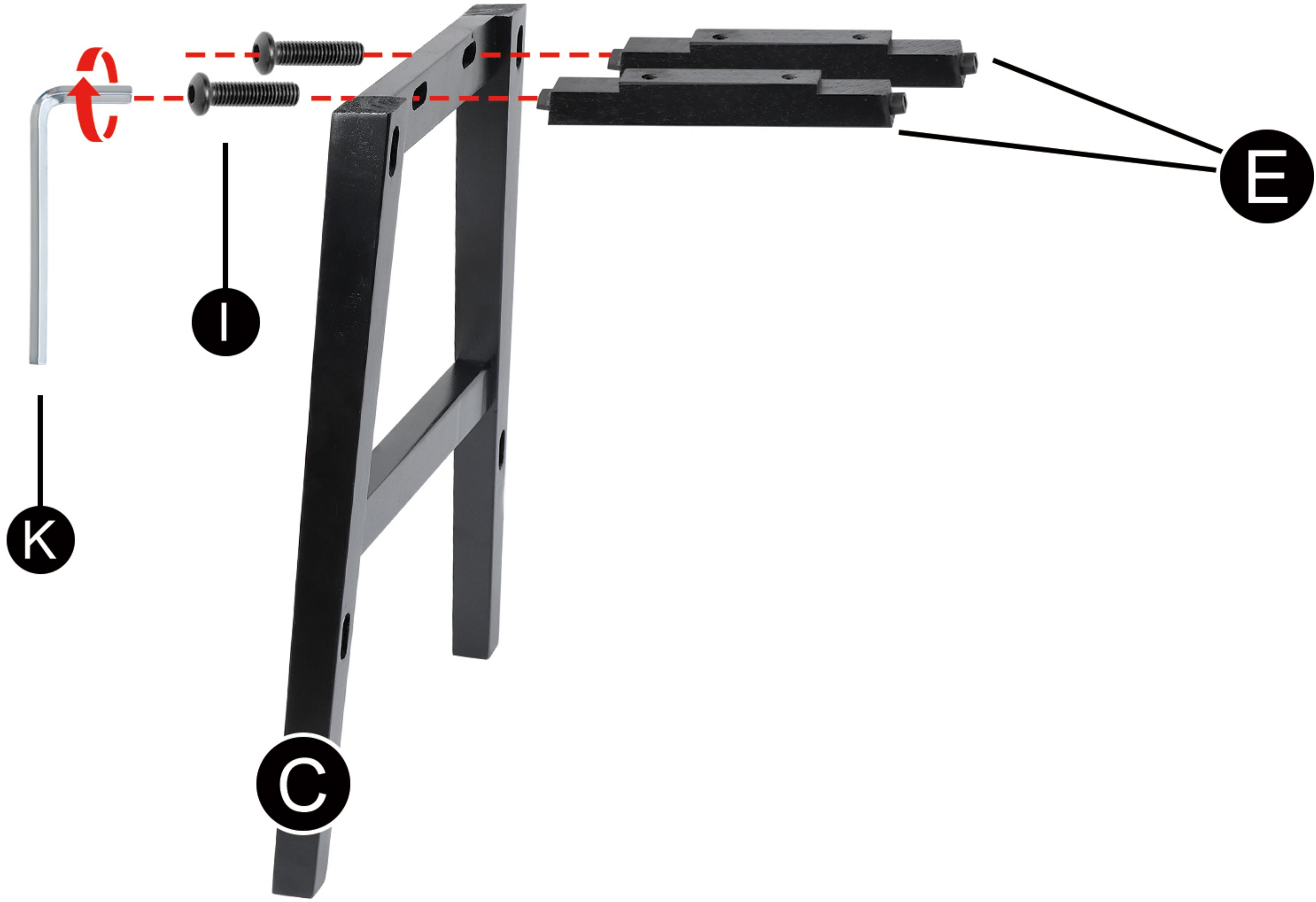
1PC Allen Key

L



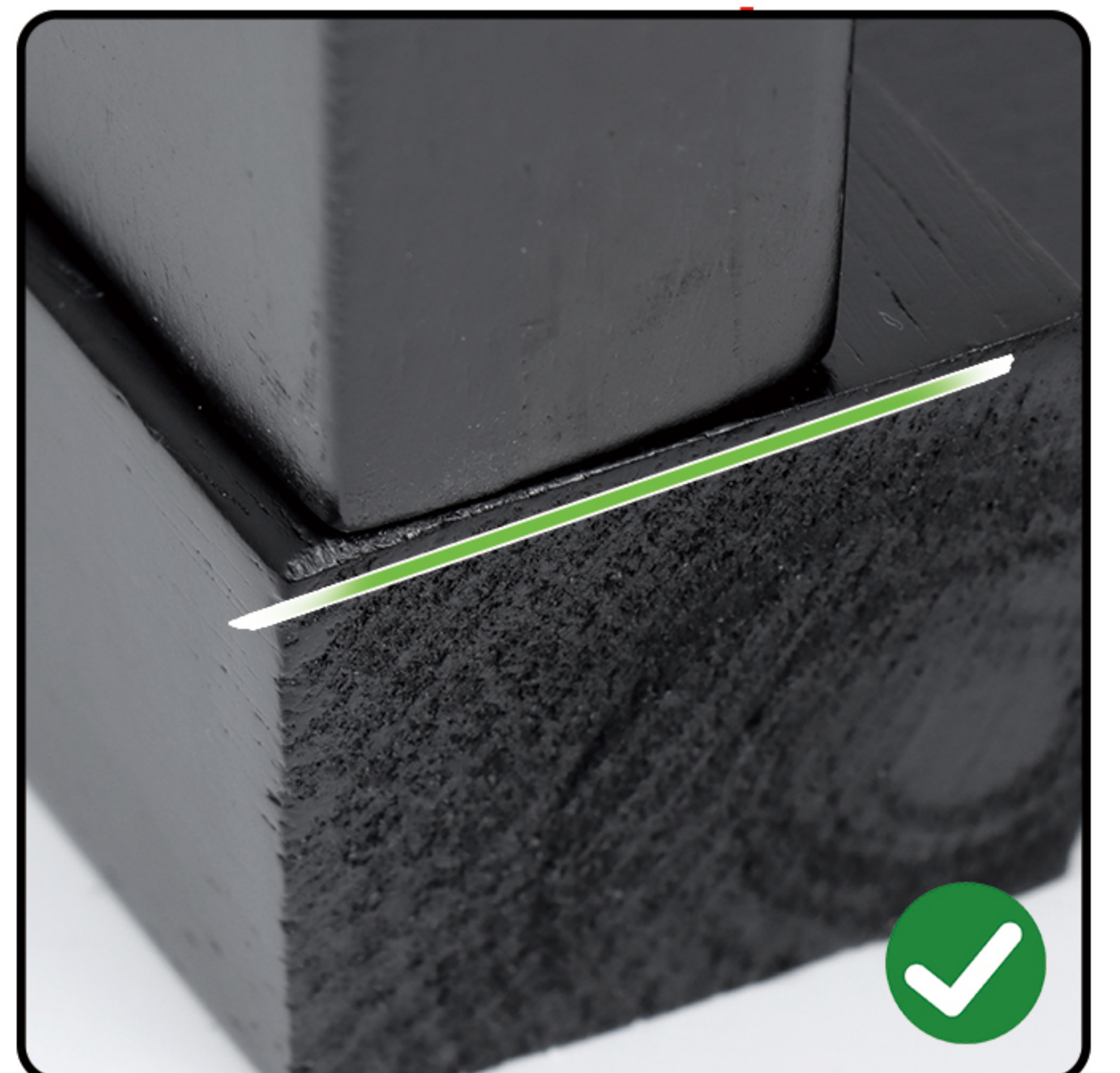
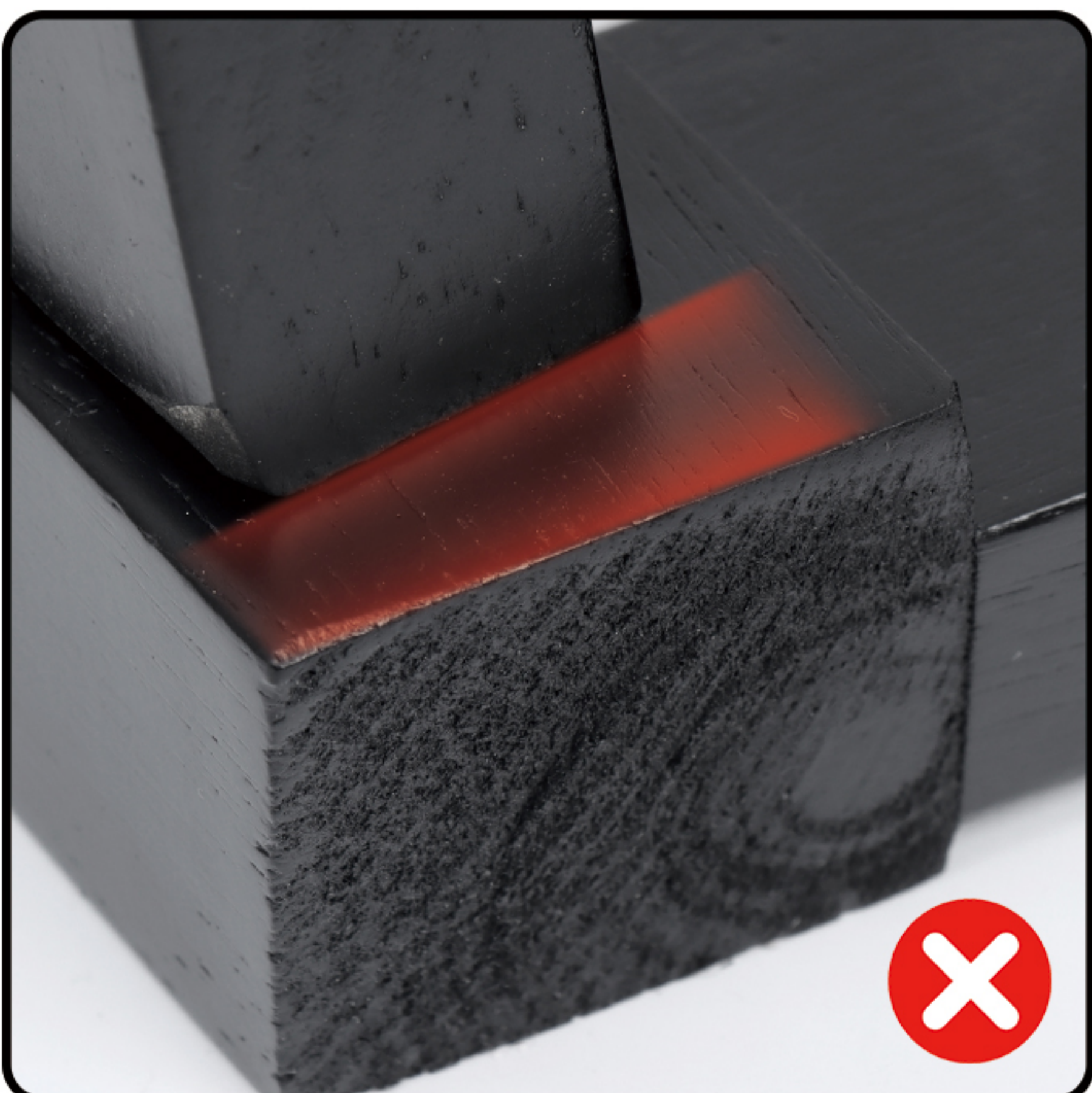
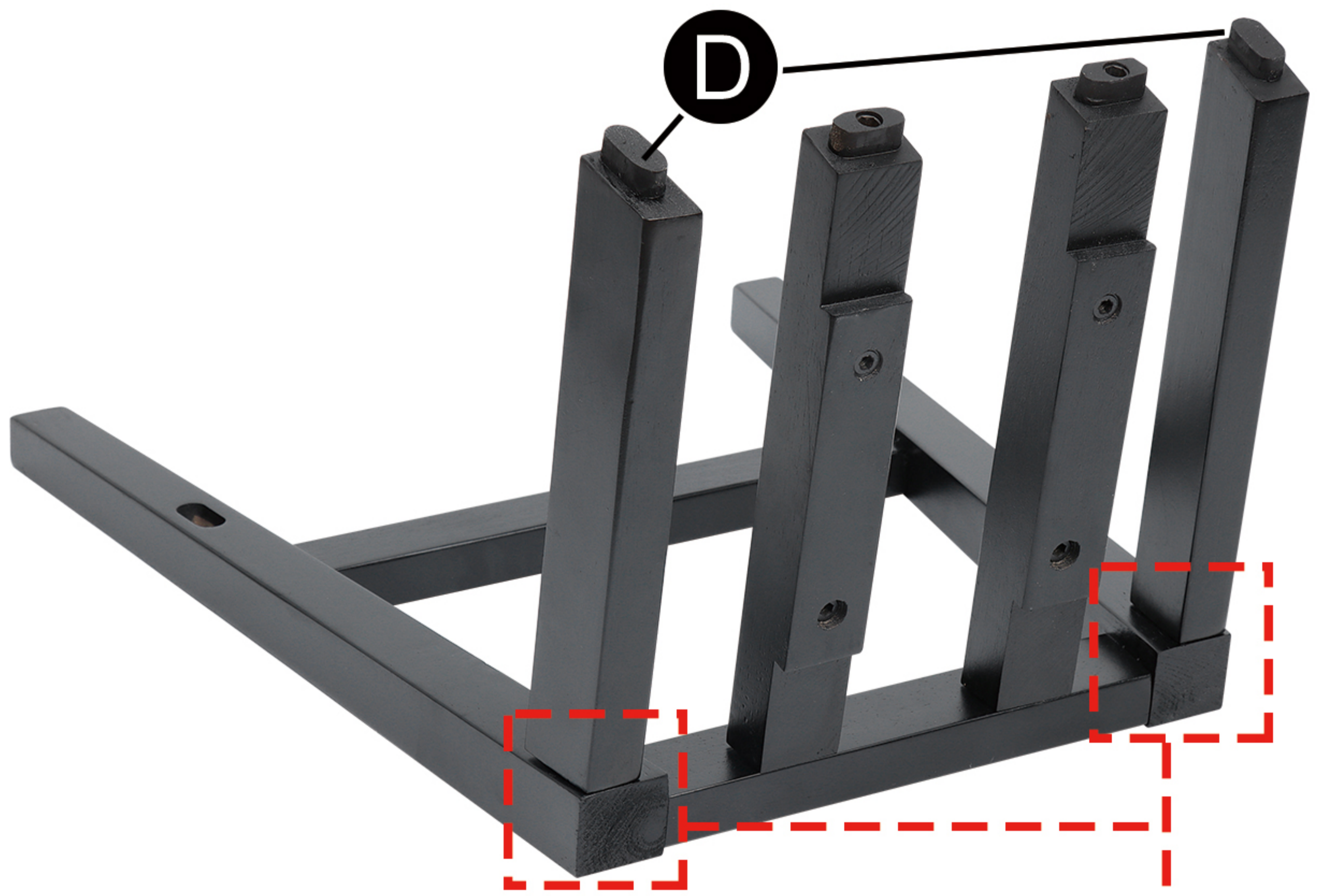
4 PCS Leveling Feet

Step 1 : Connect [E] to the the Leg [C] with Screws[I] by using tool [K].

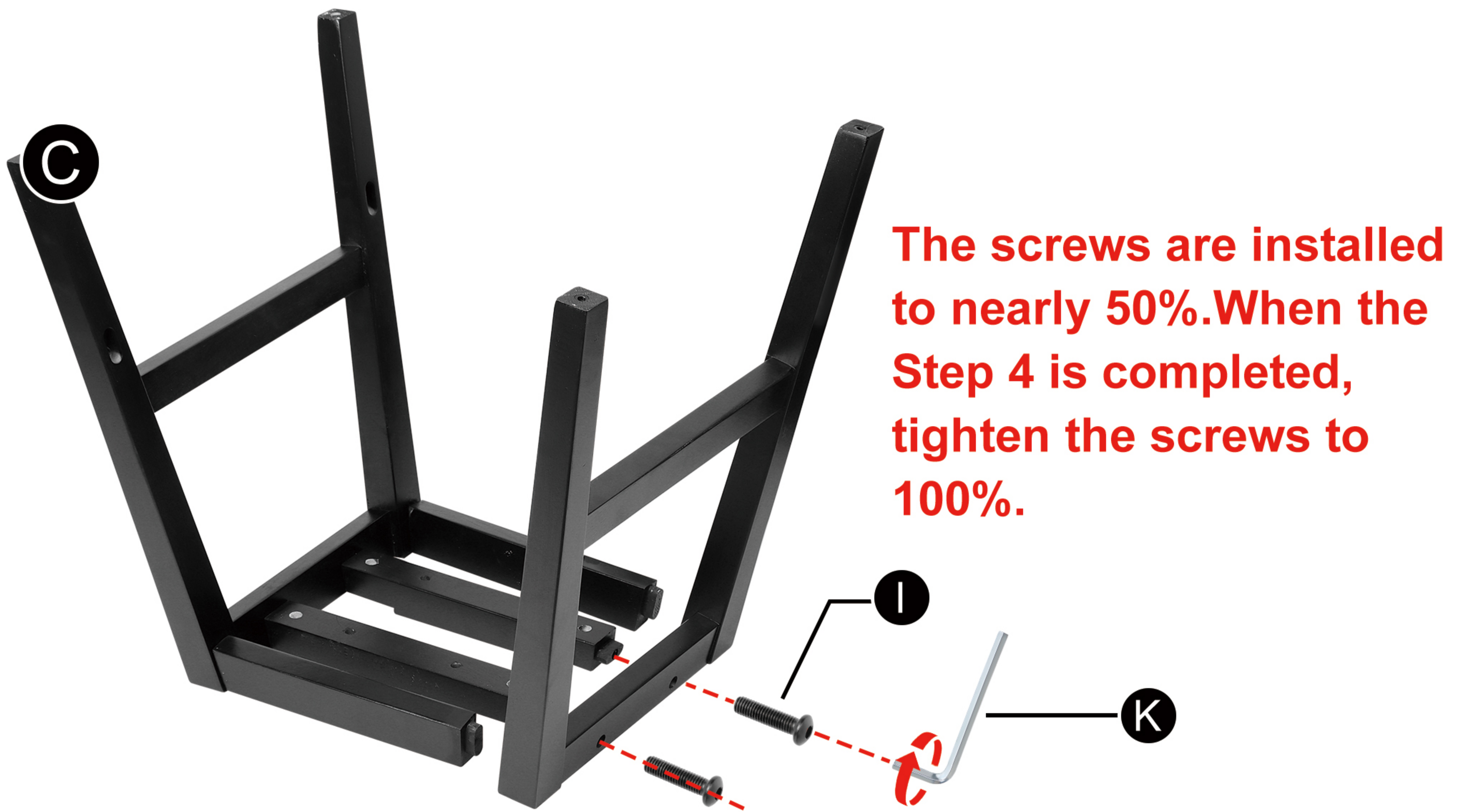


Step 2 : Connect [D] to the the Leg [C].

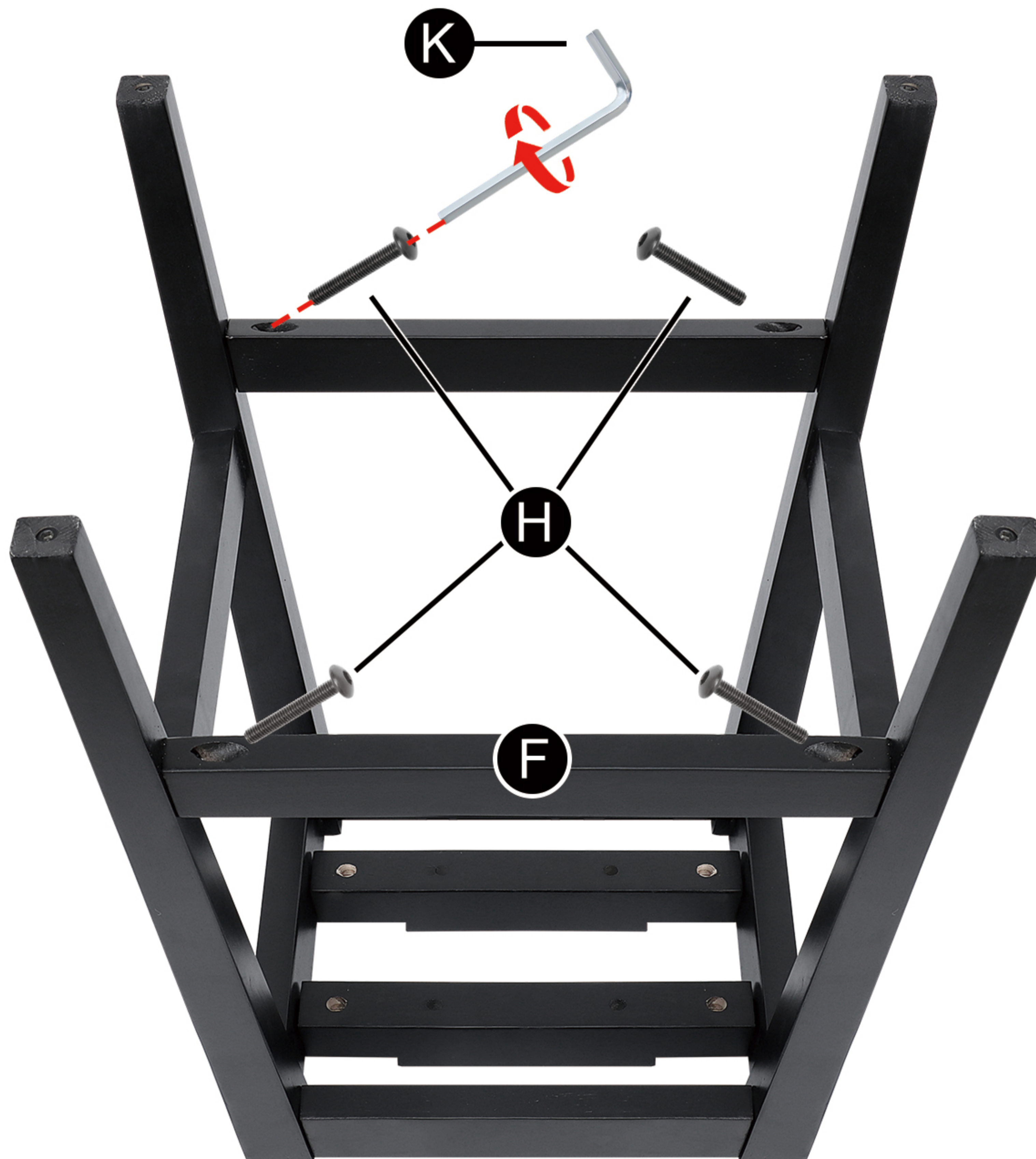
**Note:**Please note that this Crossbars[D] need to be placed correctly.



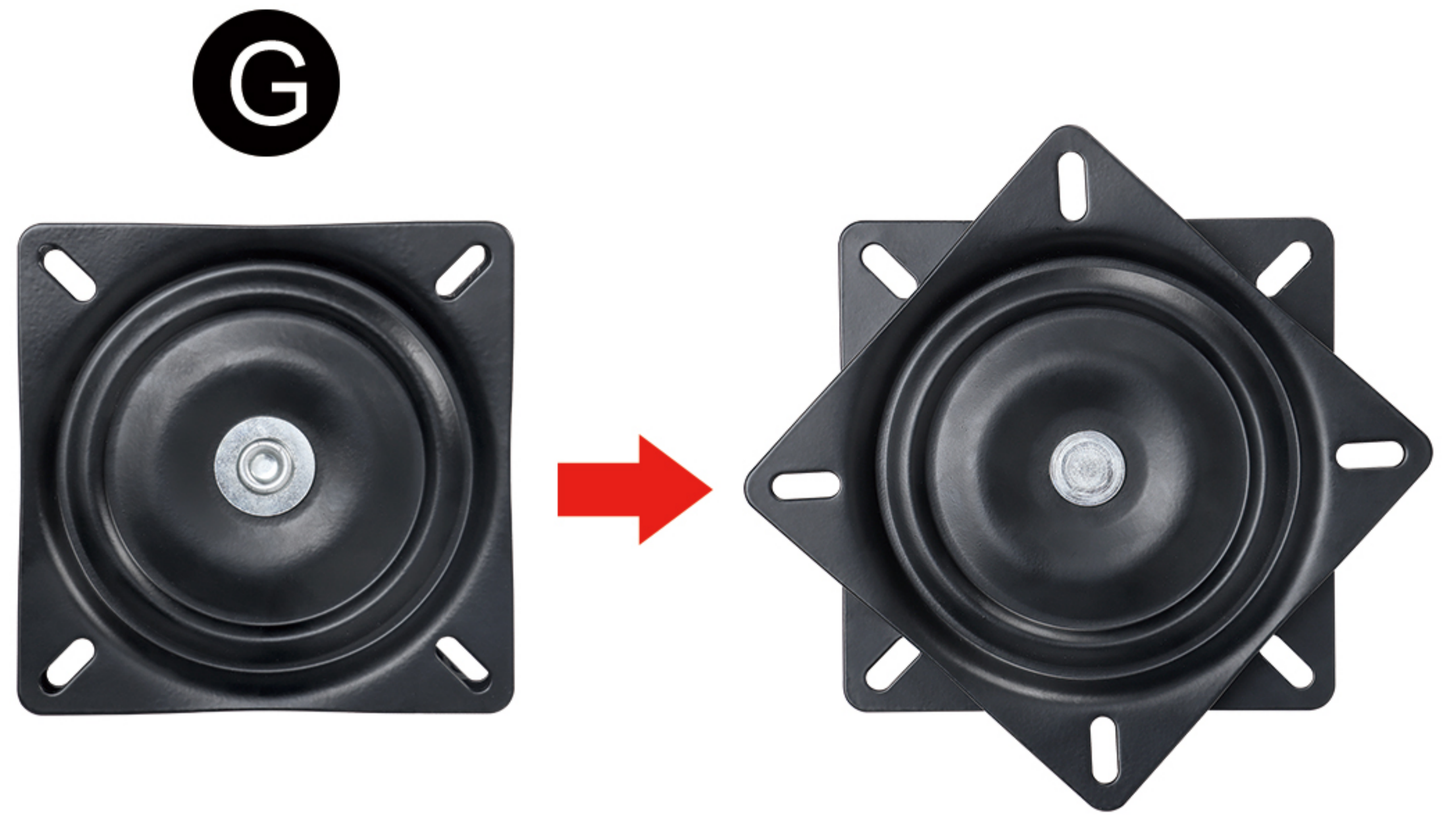
Step 3 : Connect [E] and the other Leg [C] with Screws[I] by using tool [K].



Step 4 : Connect [F] and the Legs [B] with Screws[H] by using tool [K].



Step 5 : Rotate the Swivel Bearing Plate [G] to 45°.

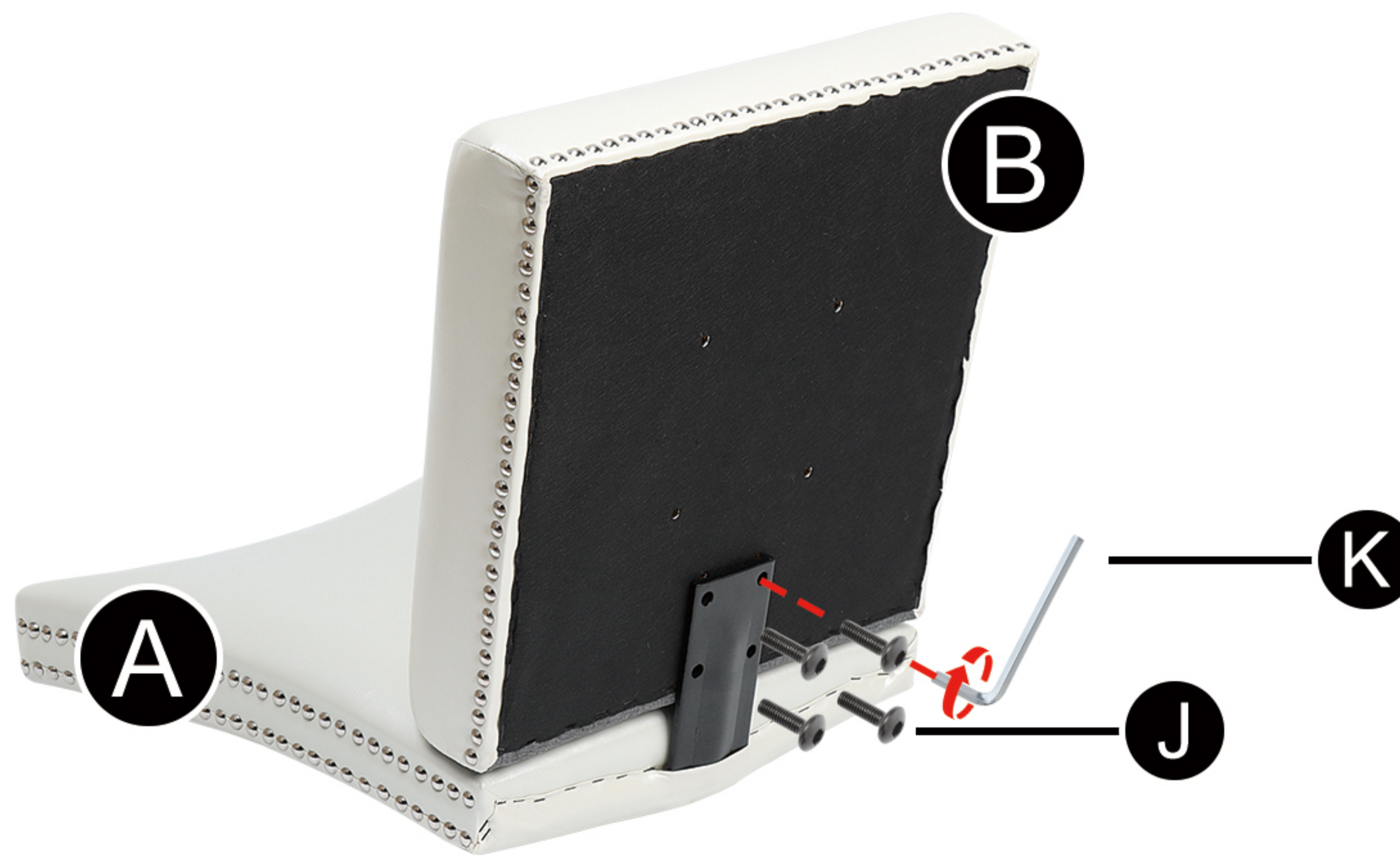


Step 6 : Connect the Swivel Bearing Plate [G] to the assembled base with Screws [J] by using tool [K].

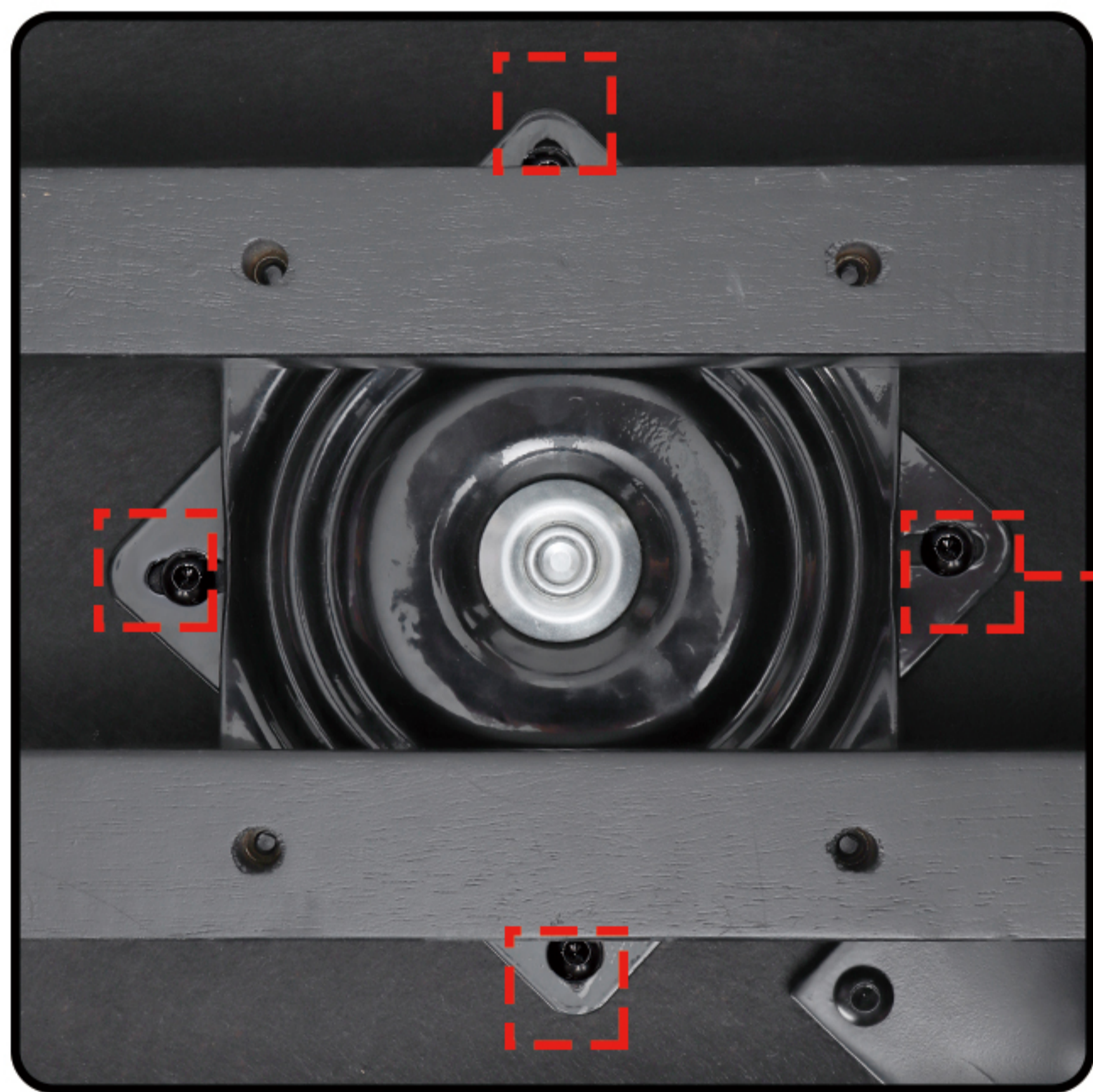


**The screws are installed to nearly 50%, when all the screws are aligned with the holes, then tighten the screws to 100%.**

Step 7 : Connect the Base[B] and the Backrest [A] with Screws[J] by using tool [K].



Step 8 : Connect the Swivel Bearing Plate [G] to the Base [B] with Screws[J] by using tool [K], You'd better put the base on a table.



**The screws are installed to nearly 50%, when all the screws are aligned with the holes, then tighten the screws to 100%.**



Step 9 : Install 4 PCS Leveling Feet

