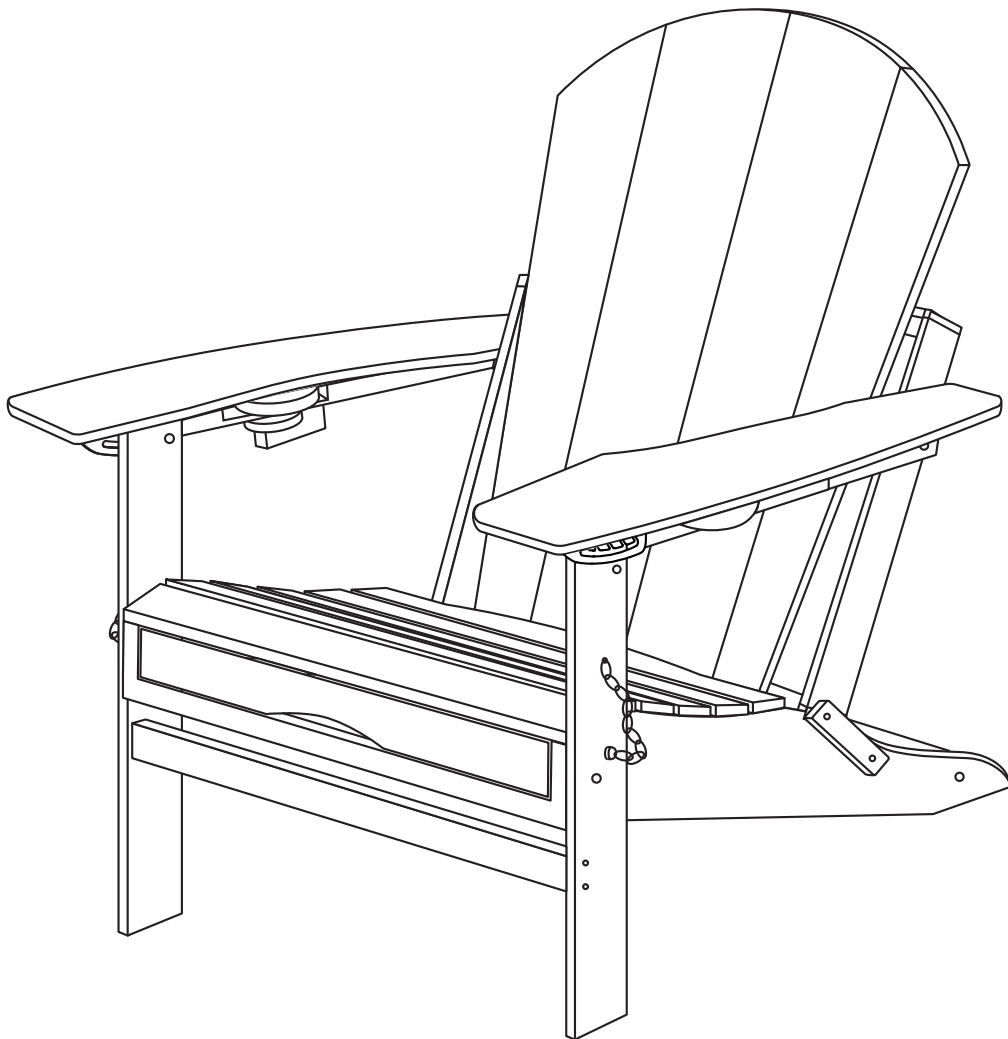


USER'S MANUAL

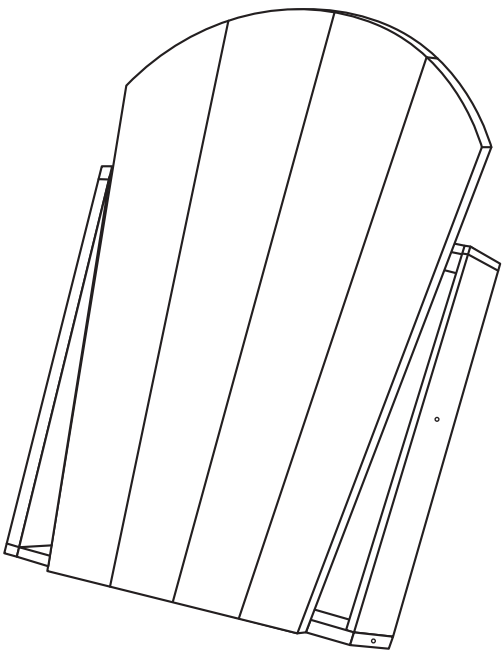
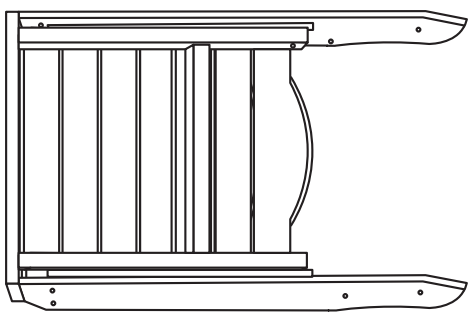
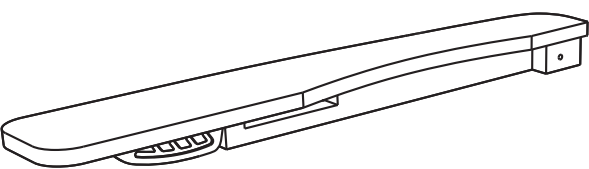

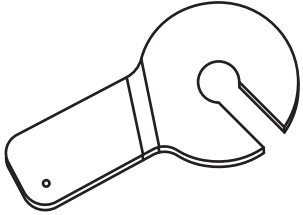
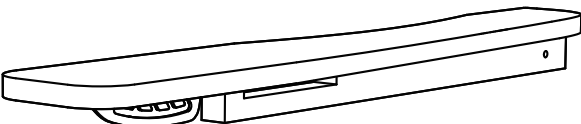
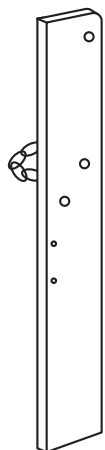
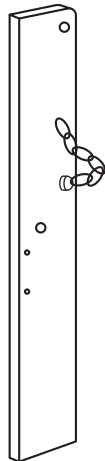
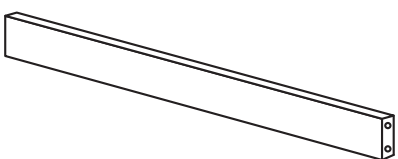
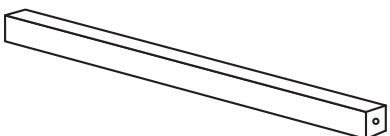
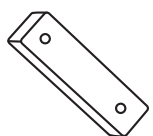
Product Name: **Adjustable Adirondack Chair**




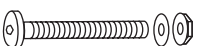

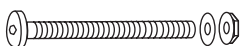
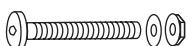
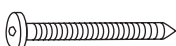
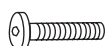
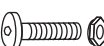
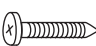
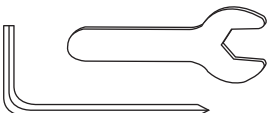
THIS MANUAL CONTAINS
IMPORTANT SAFETY INFORMATION.
PLEASE READ CAREFULLY AND KEEP IT FOR FUTURE REFERENCE.

Parts List

The following are the quantities of parts required to install a **single** chair.

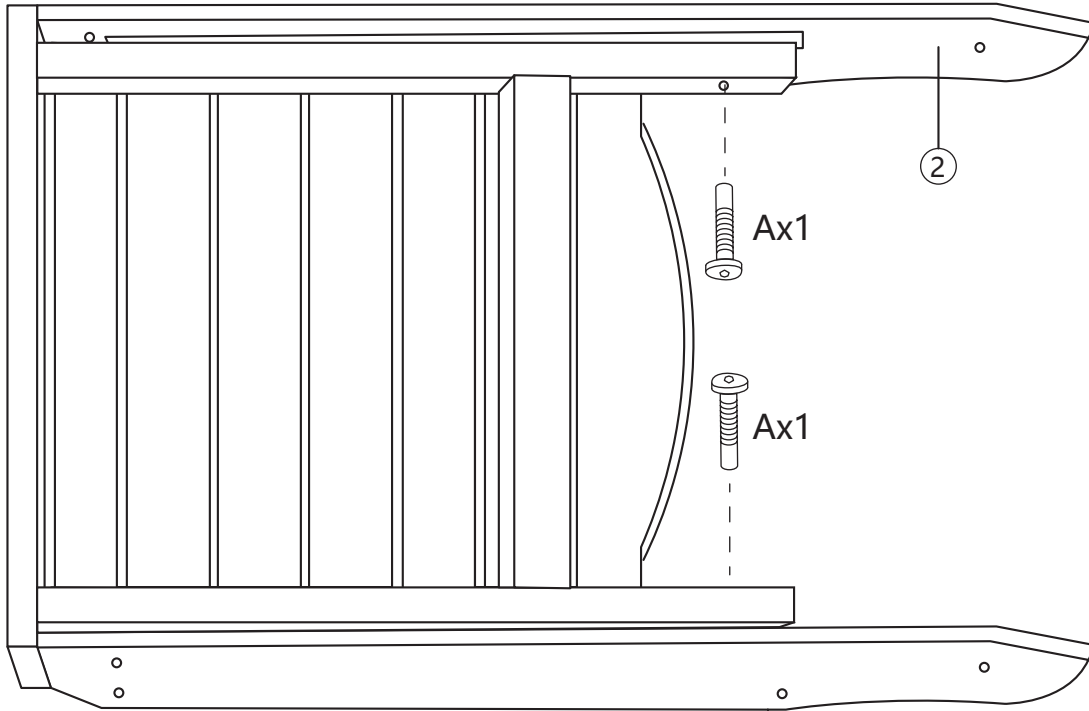
<p>① x1</p> 	<p>② x1</p> <p>Seat + Retractable Ottoman</p> 	
<p>⑤ x1</p> 	<p>③ x1</p> 	<p>④ x1</p> 
<p>⑥ x1</p> 	<p>⑦ x1</p> 	<p>⑧ x1</p> 
<p>⑨ x1</p> 	<p>⑩ x1</p> 	<p>⑪ x2</p> 

Accessories list

<p>Ax2</p>  <p>M6x35mm</p>	<p>Bx2</p>  <p>M6x55mm</p>	<p>Cx2</p>  <p>M6x30mm</p>	<p>Dx2</p>  <p>M6x80mm</p>	<p>Ex2</p>  <p>M6x45mm</p>
<p>Fx2</p>  <p>M6x60mm</p>	<p>Gx2</p>  <p>M6x40mm</p>	<p>Hx2</p>  <p>M6x40mm</p>	<p>Ix4</p>  <p>M4x45mm</p>	

STEP 1

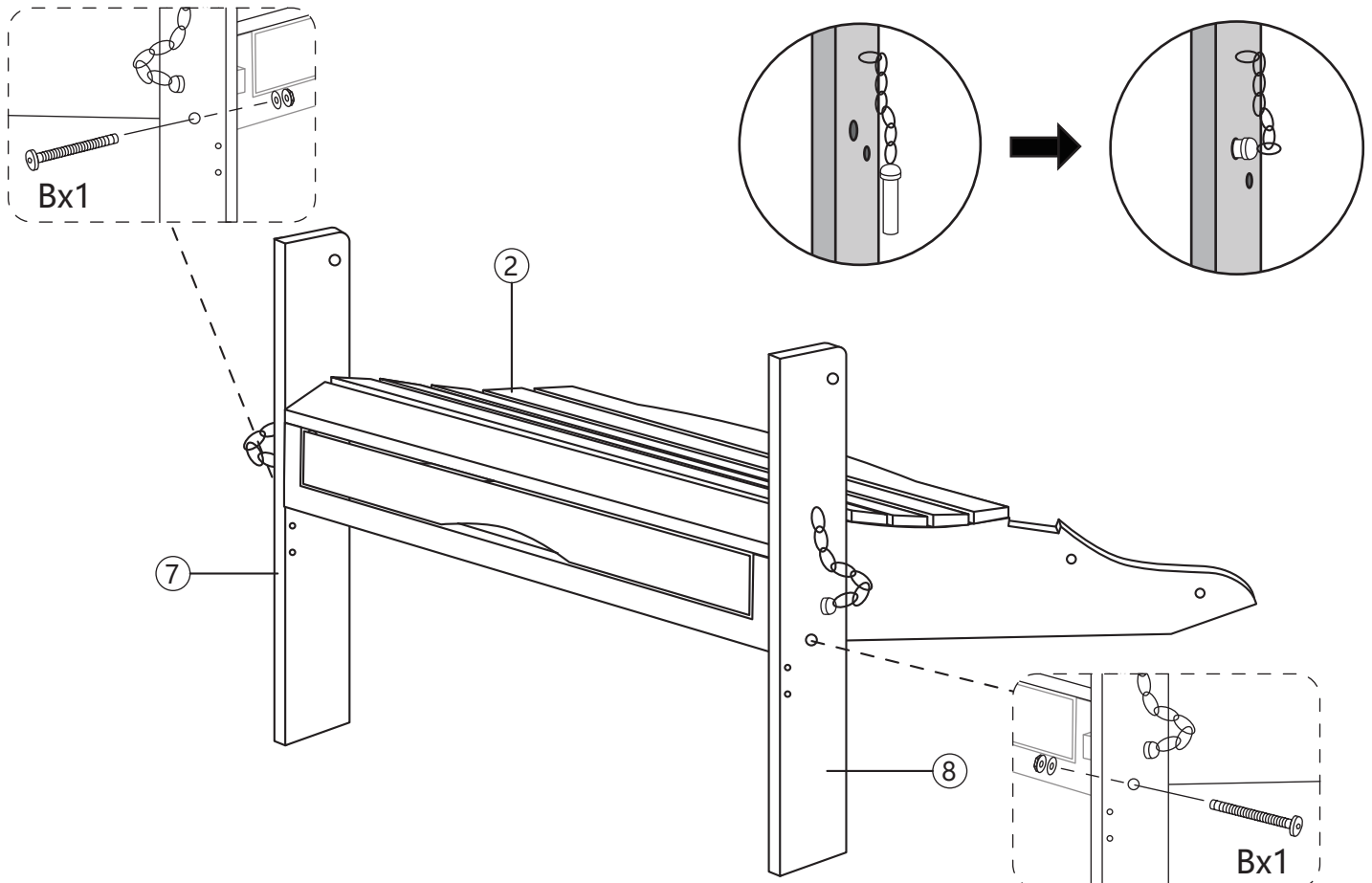
When installing, please ensure that screw A is in the track.



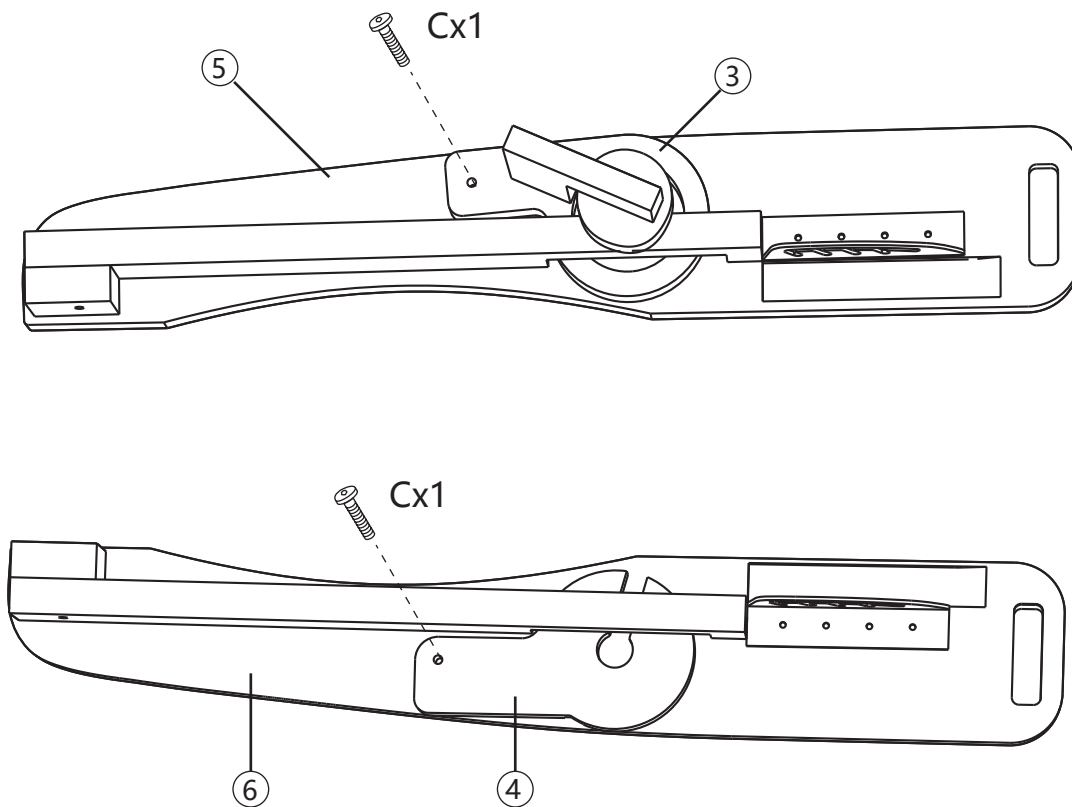
STEP 2

When installing the chair legs, first insert the round rods as shown in the picture, and then install screw B.

Make sure the screw is tightened so that there is no extra gap in the middle of the board.

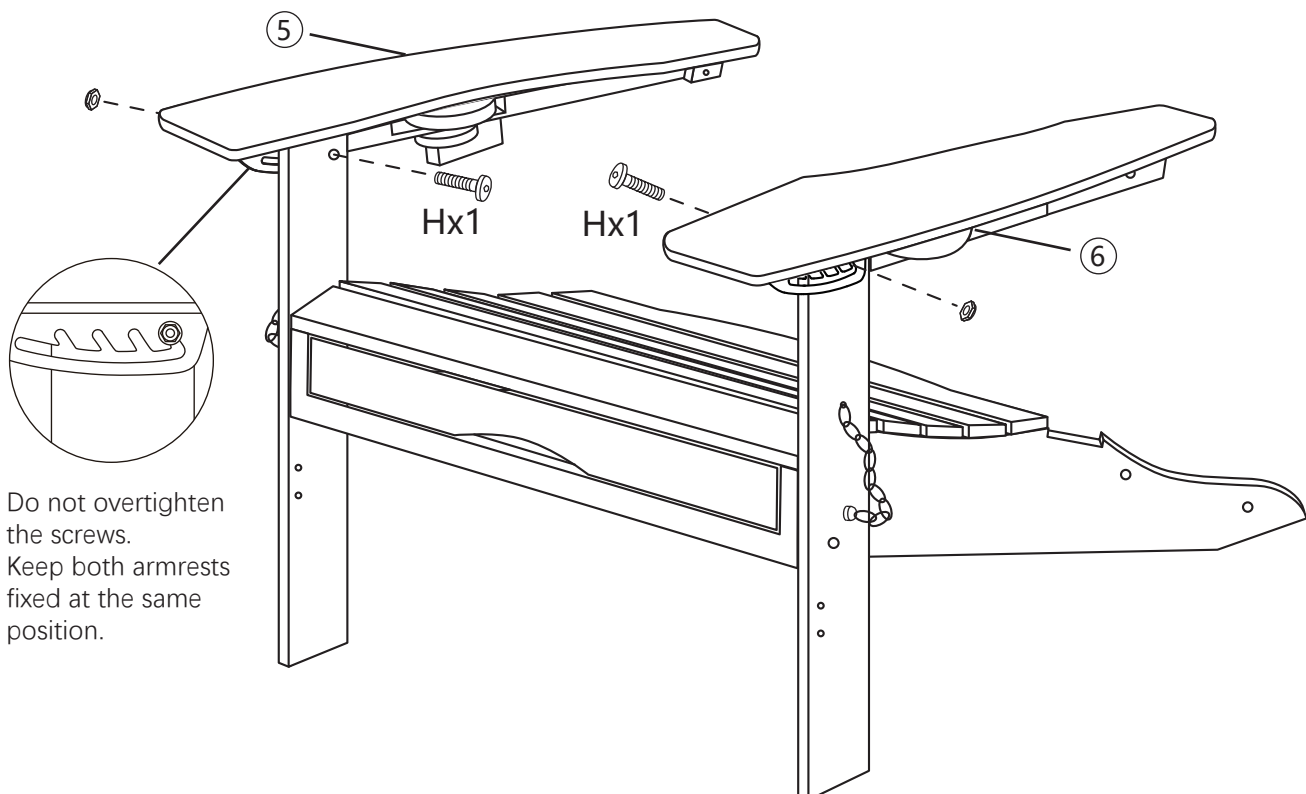


STEP 3



STEP 4

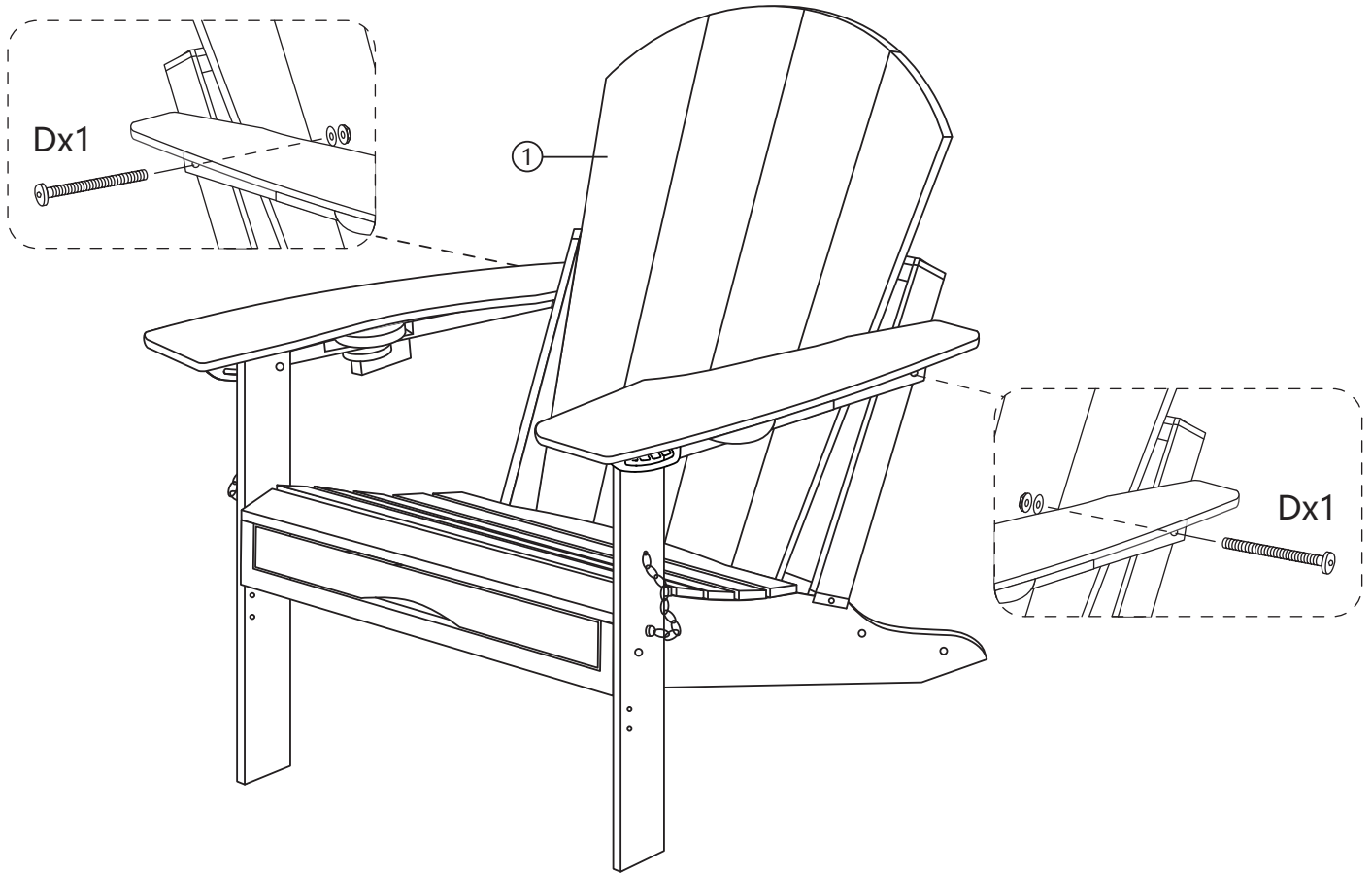
Please note that the screws are on the inner side and the nuts are on the outer side.



Do not overtighten the screws. Keep both armrests fixed at the same position.

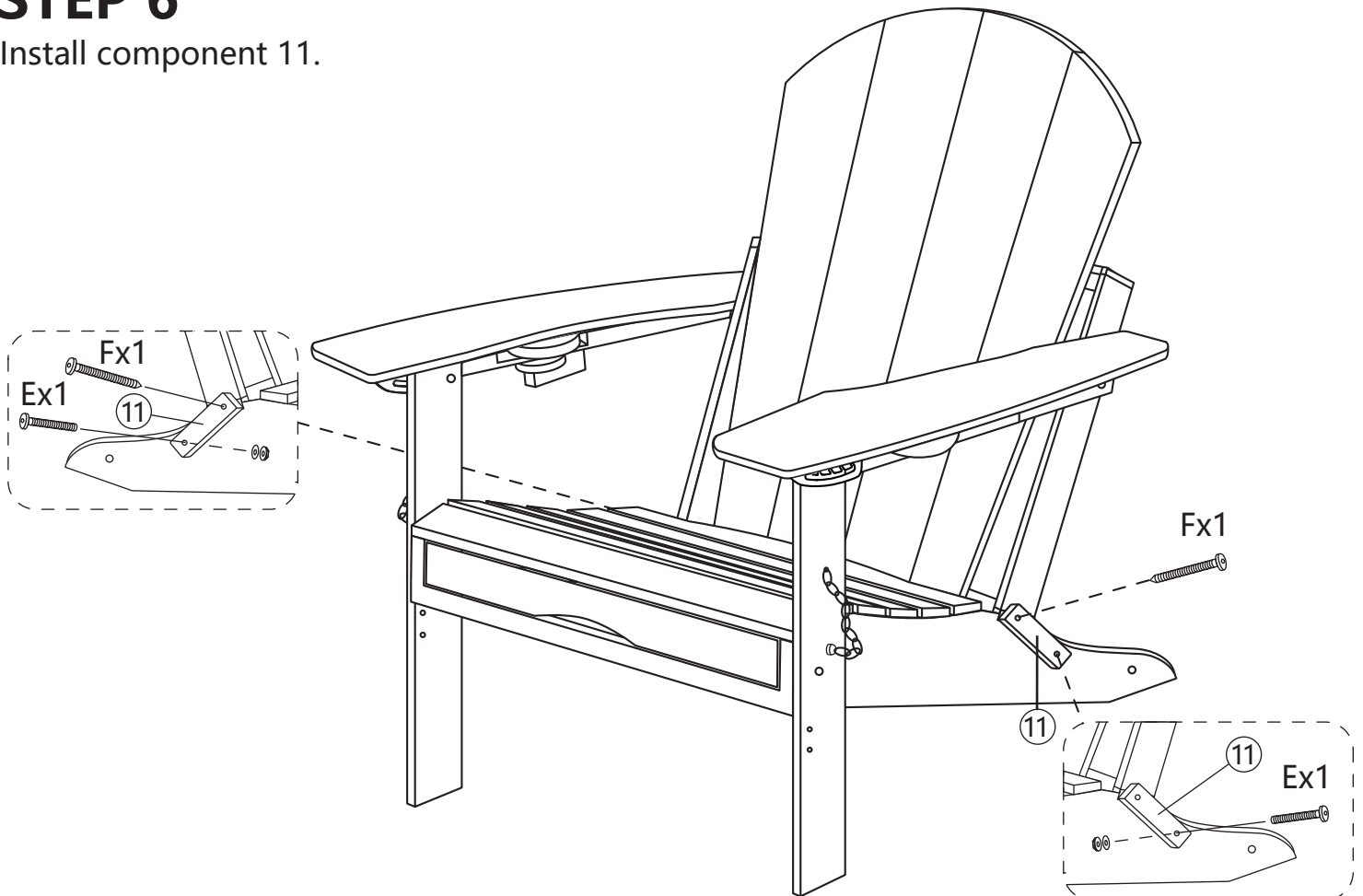
STEP 5

Please note that the screws are on the outside and the nuts are on the inside.



STEP 6

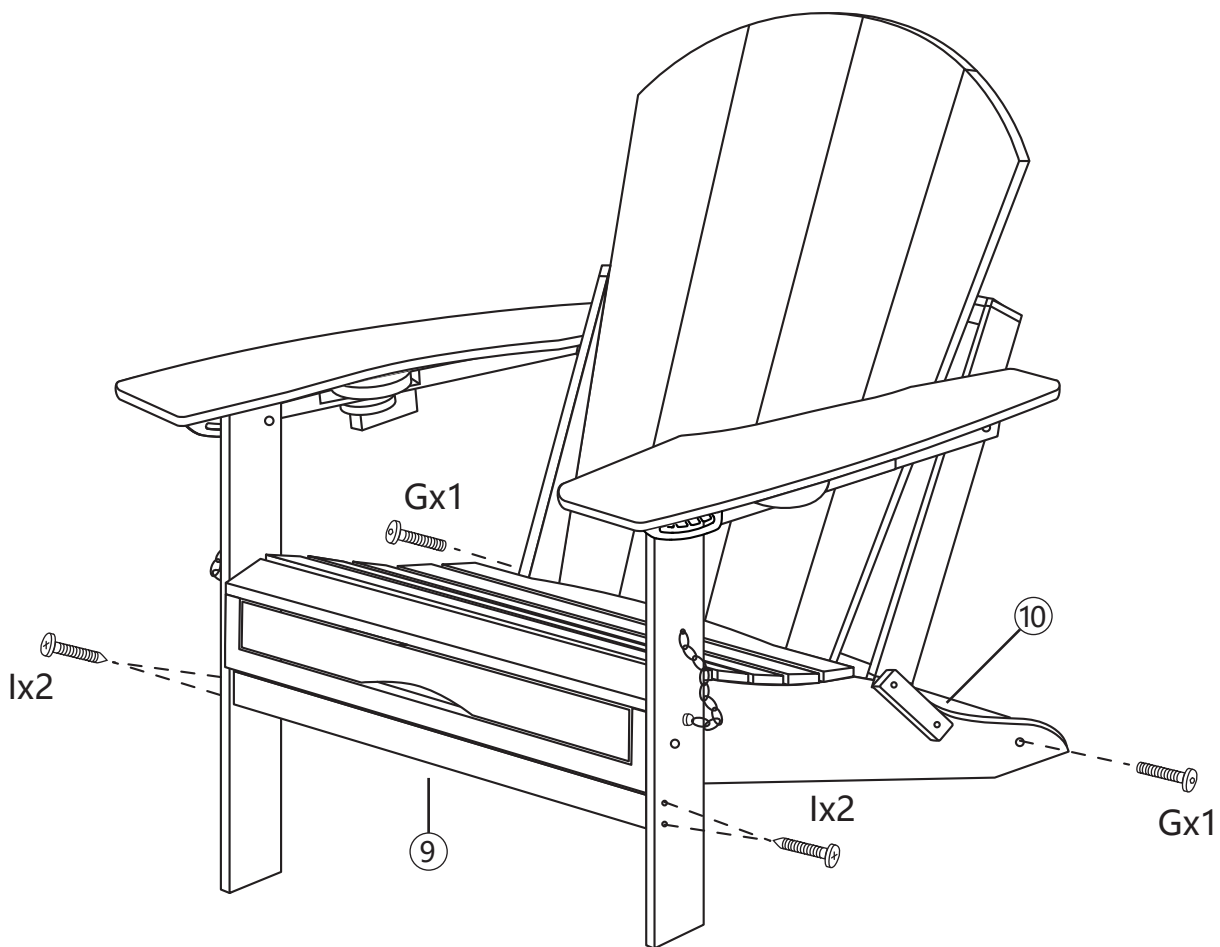
Install component 11.



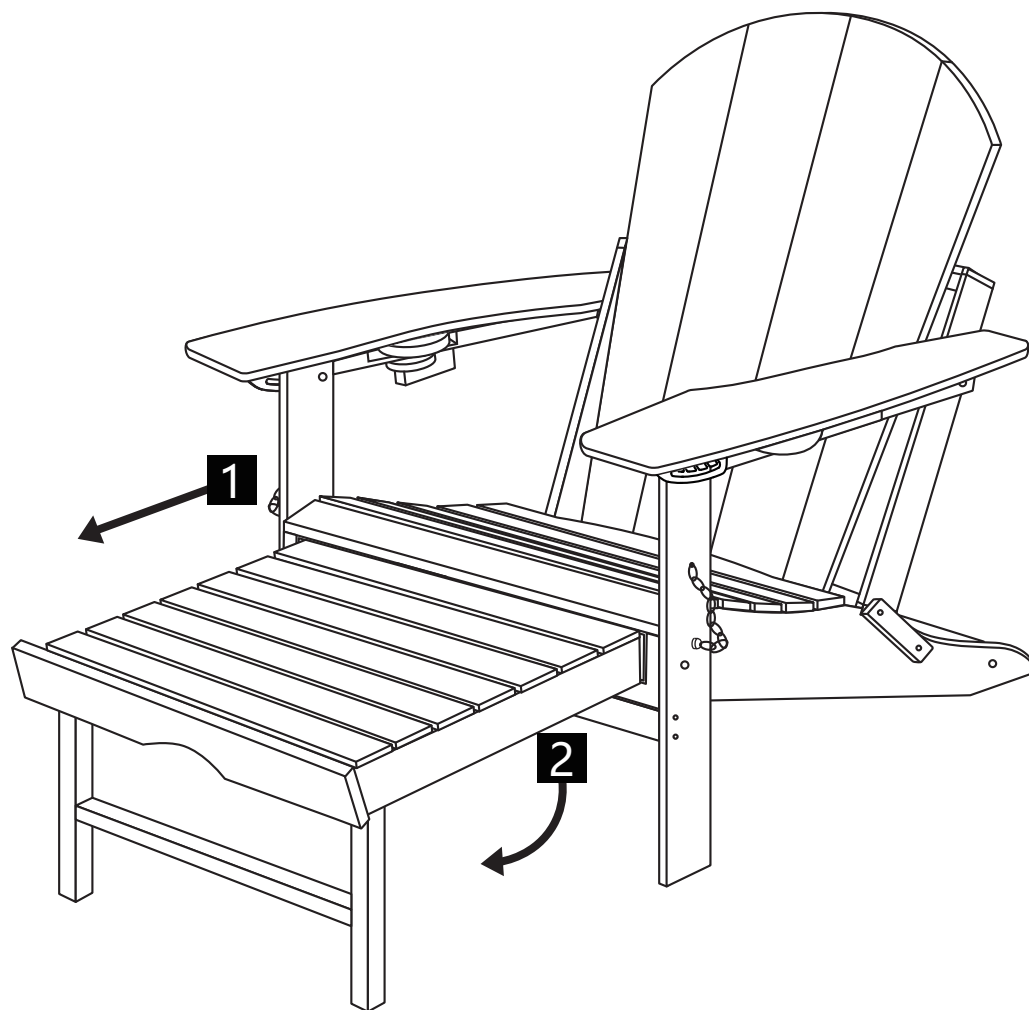
STEP 7

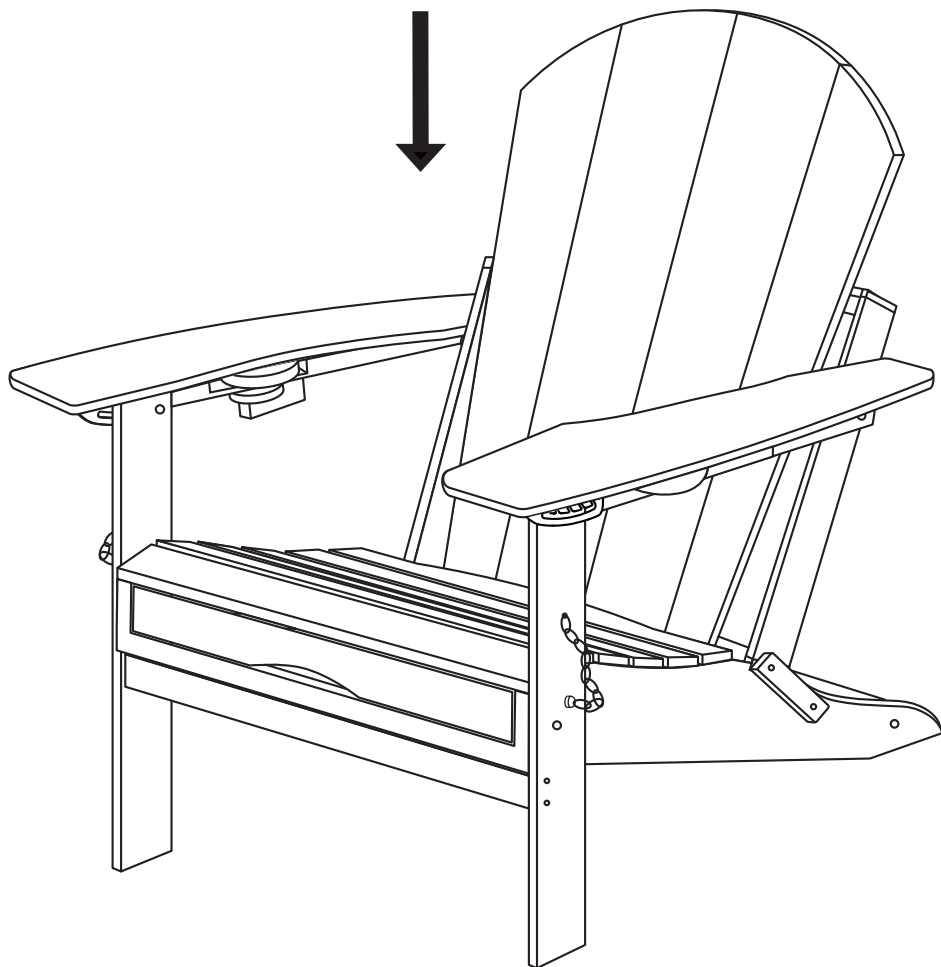
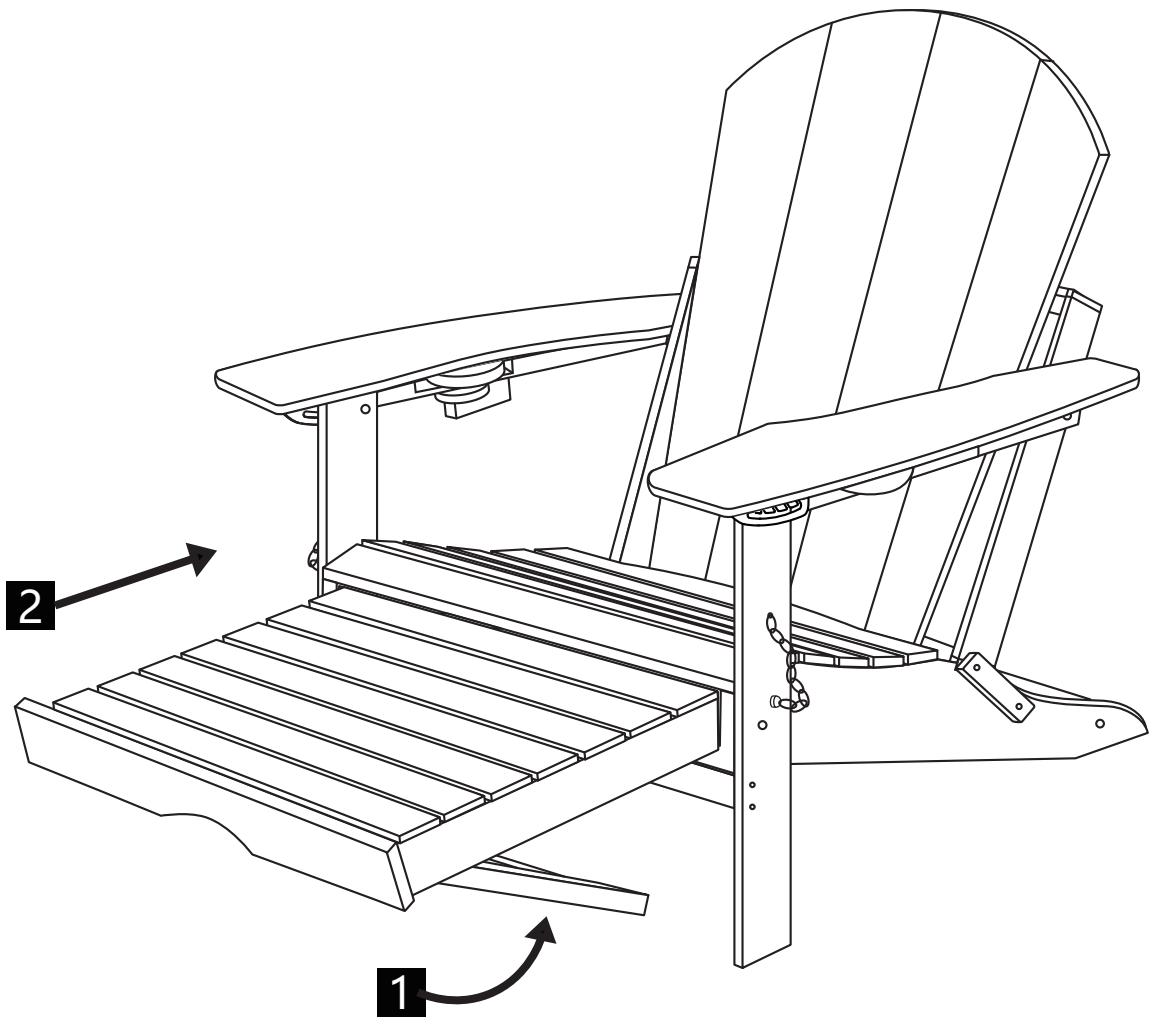
Install components 9 and 10.

Make sure the screw is tightened so that there is no extra gap in the middle of the board.



Pull-out / Retract Ottoman





THANK YOU FOR SHOPPING WITH US!

WARRANTY INFORMATION

- We offer a limited number of free extended 1-year warranties, including VIP customer service privileges. To activate, within 7 days of receiving your order.
- From the activation date, we offer a no-questions-asked warranty against defects in materials and workmanship. During this period, we will repair or replace any defective component at our discretion.
- This warranty is limited to manufacturing defects associated with the products and does not cover any damage caused by improperly installed handled or abused by user, nor to any unit which has been repaired or altered by unauthorized repair companies.
- Under no circumstances will the customer be entitled to warranty consequential or incidental damages. This limited 1-year warranty will only grant customers certain legal rights; Customers may have other rights according to different state laws.

CUSTOMER SERVICE

If you have any questions or need assistance, feel free to contact our brand's official customer service anytime:

To help us locate your order, please include your Order Number. Our 24-hour customer service team will be happy to assist you, and we typically respond within hours.

Customer Service Team