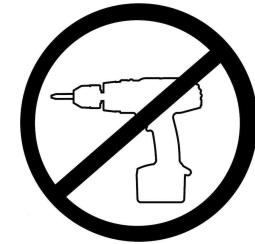
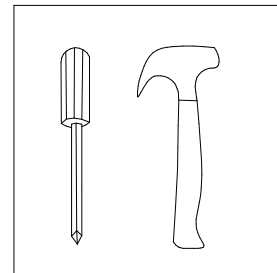
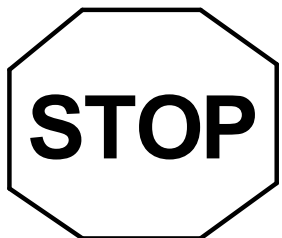
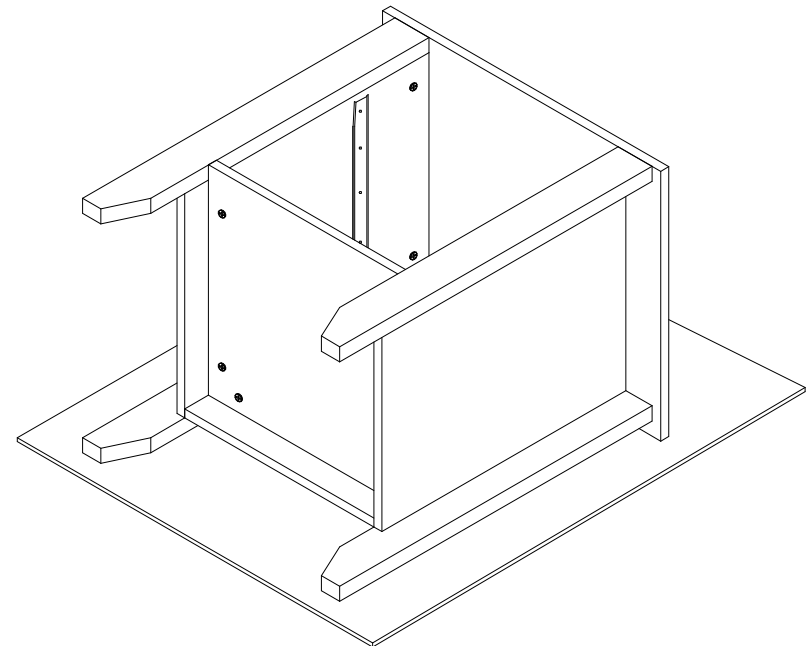
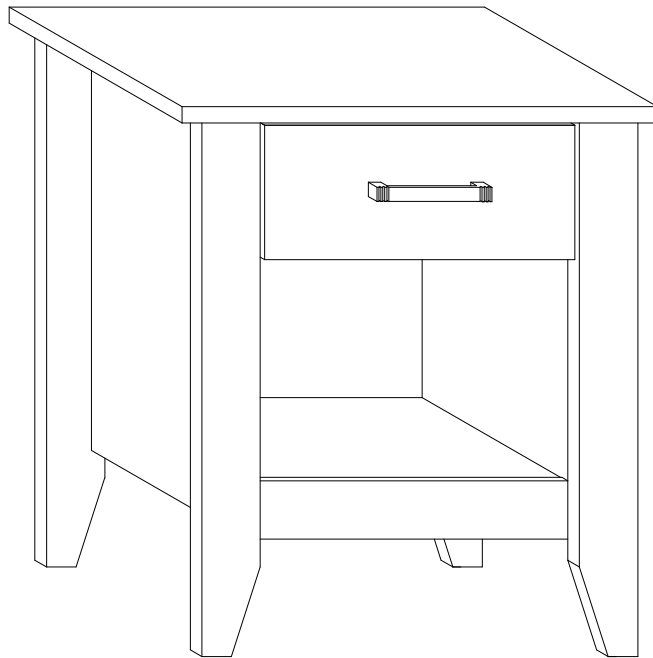


Required Tools : Screwdriver & Hammer



MODEL: LENNOX (NIGHT STAND)

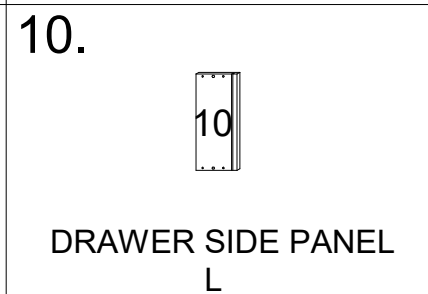
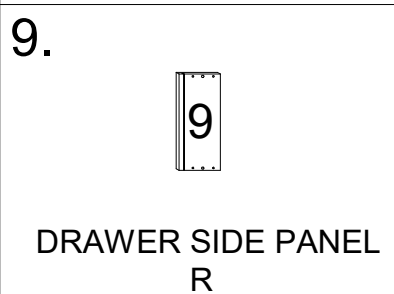
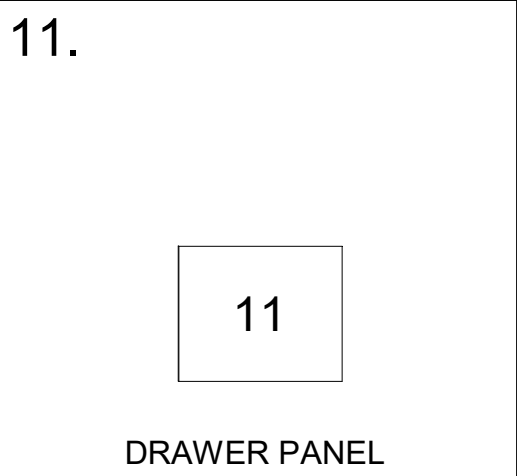
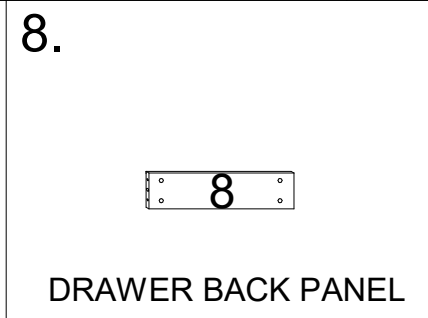
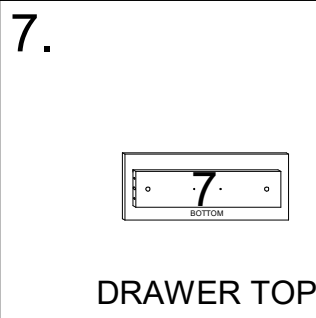
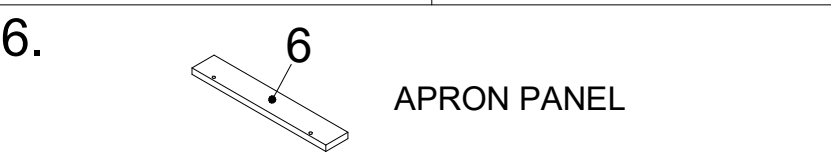
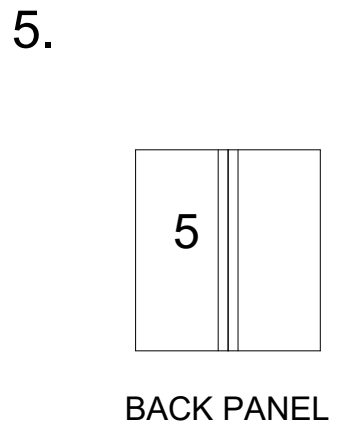
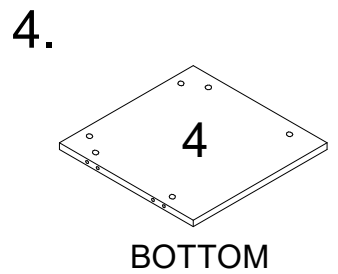
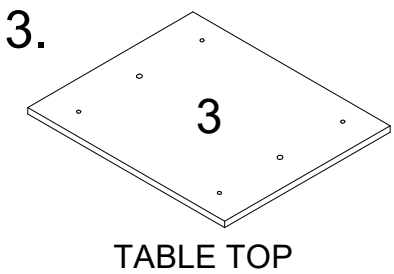
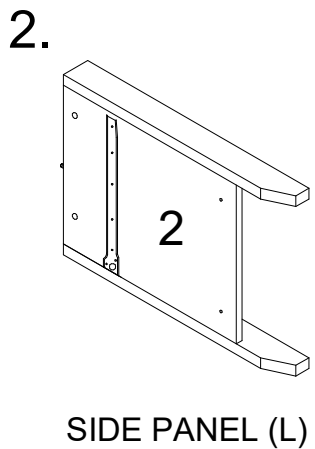
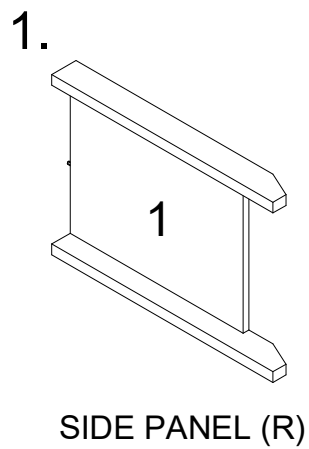





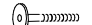






Please place on the carton while installing to prevent damage or scratches.

For missing parts/assembly questions call 201-565-6327

ASSEMBLY INSTRUCTION (PART & HARDWARE LIST)

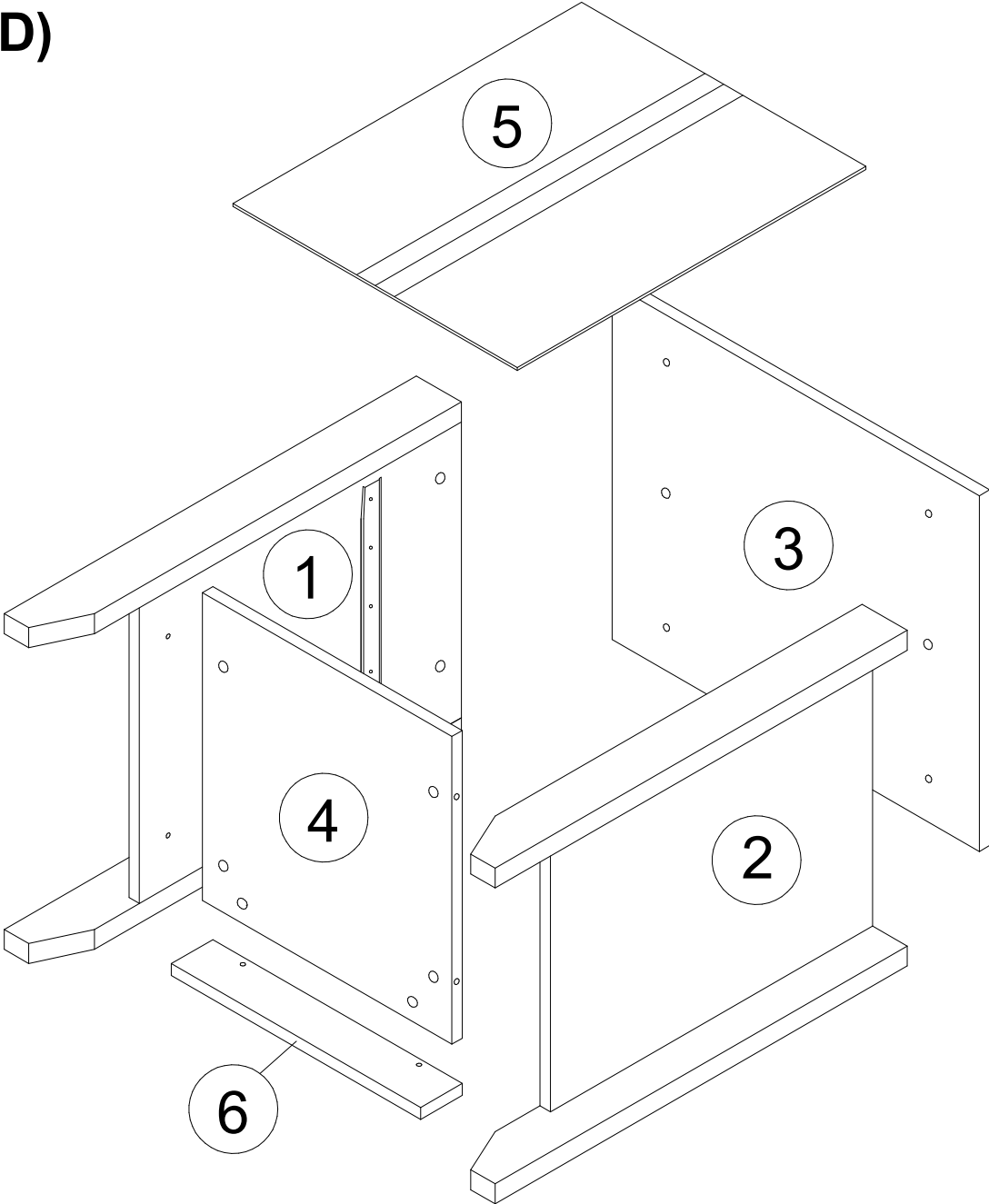
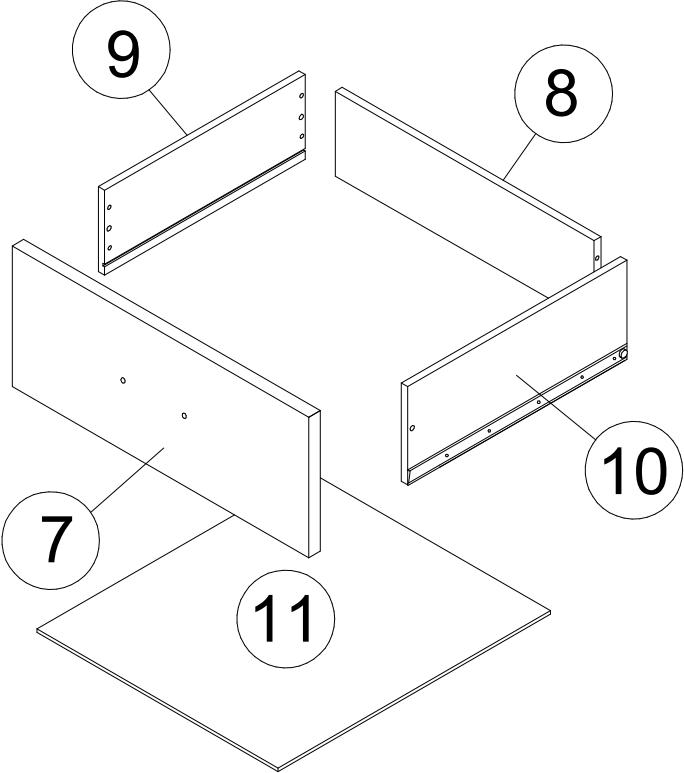
MODEL: LENNOX (NIGHT STAND)



NO	HARDWARE DESCRIPTION	QTY
A.	Handle 	1
B.	Handle Screw M4 X 40mm 	2
C.	Wood Dowel M6 X 30mm 	6
D.	JCBC Bolt M6 X 50mm 	2
E.	Nail 	22
F.	Wood Dowel M8 X 30mm 	6
G.	Allen Key 	1
H.	Cam Screw 	14
I.	Cam Lock 	14
J.	Barrel Nut M6 X 13mm 	2

*Screw Driver and Hammer Not Provided

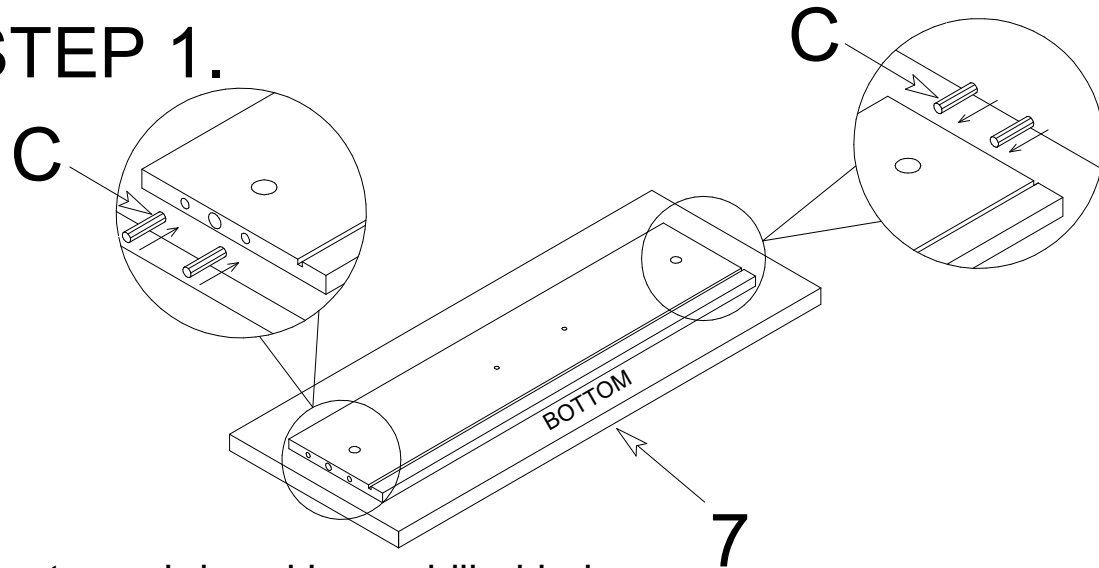
MODEL: LENNOX (NIGHT STAND)



ASSEMBLY INSTRUCTION

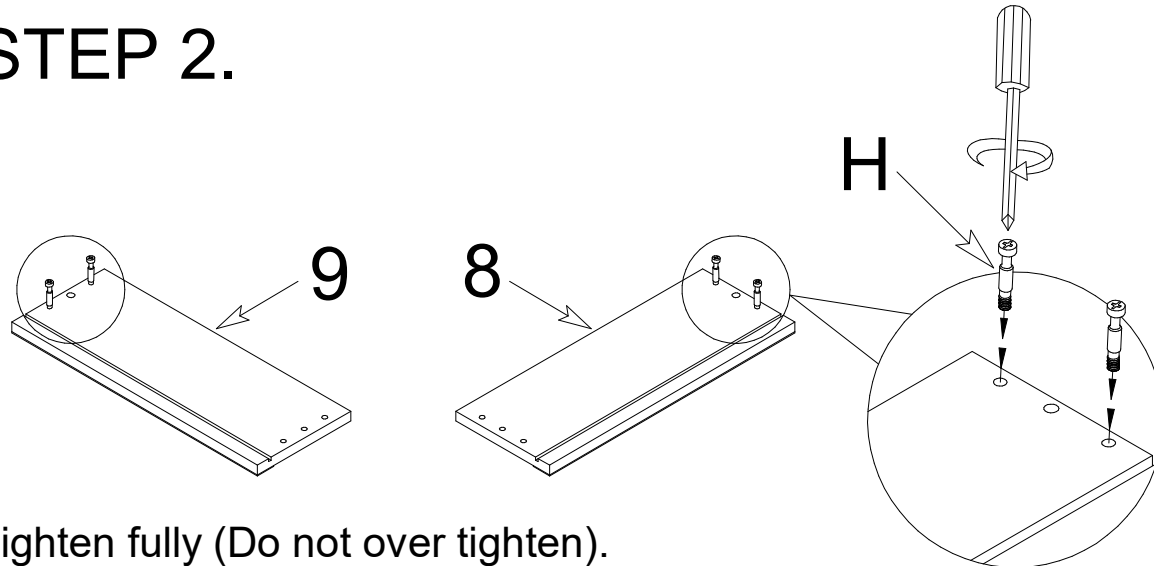
MODEL: LENNOX (NIGHT STAND)

STEP 1.



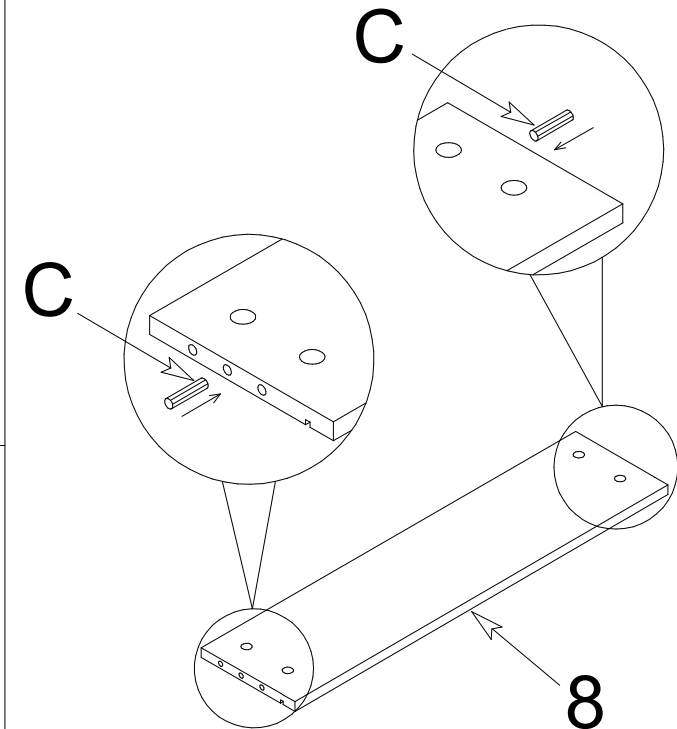
Insert wood dowel in predrilled hole.

STEP 2.



Tighten fully (Do not over tighten).

STEP 3.

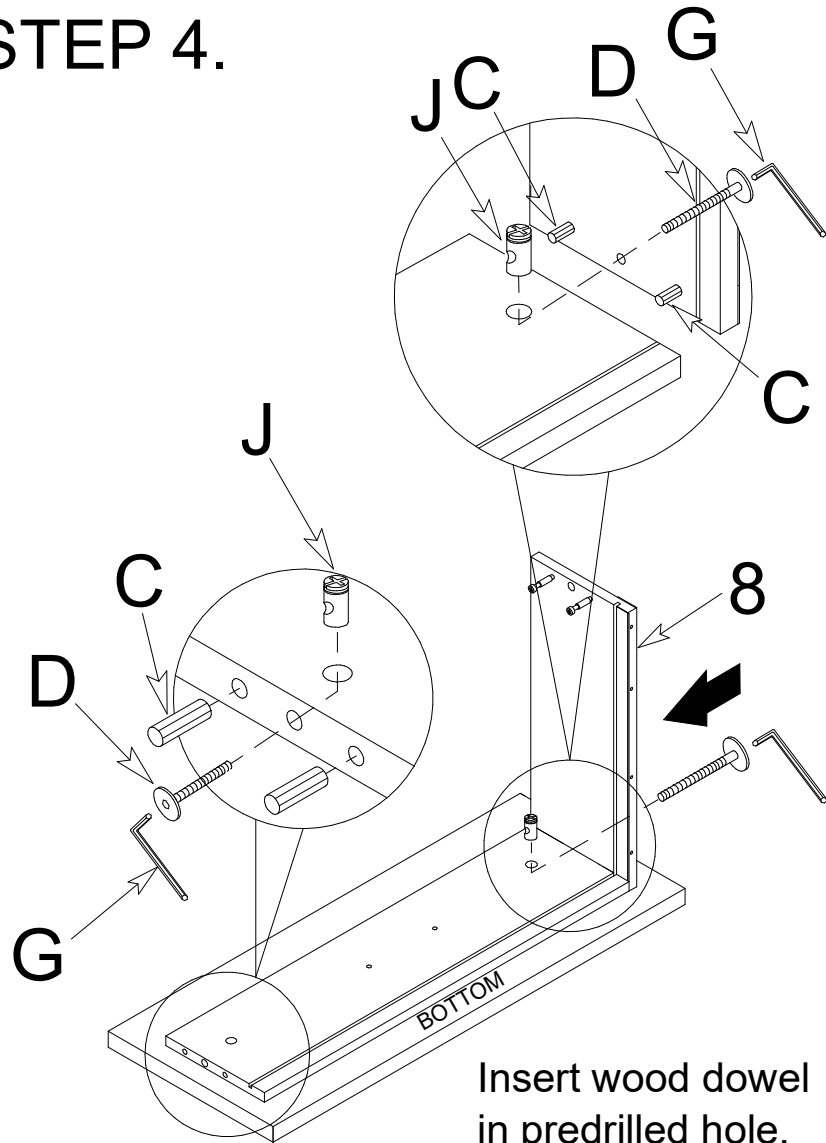


Insert wood dowel in predrilled hole.

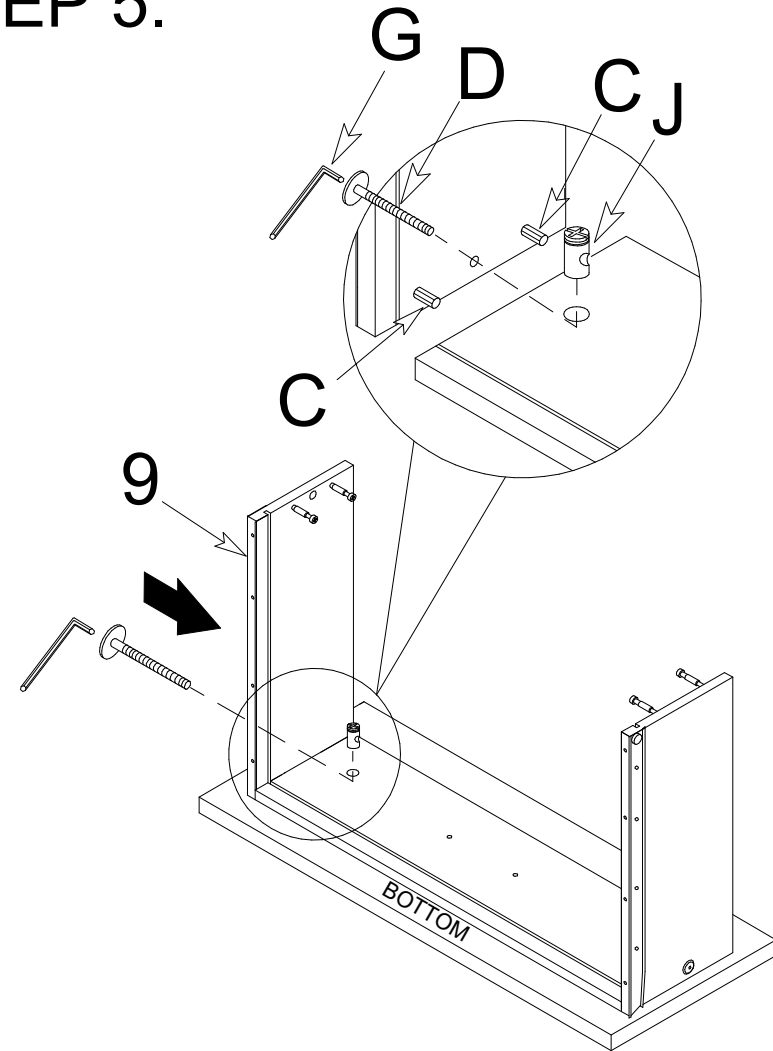
ASSEMBLY INSTRUCTION

MODEL: LENNOX (NIGHT STAND)

STEP 4.



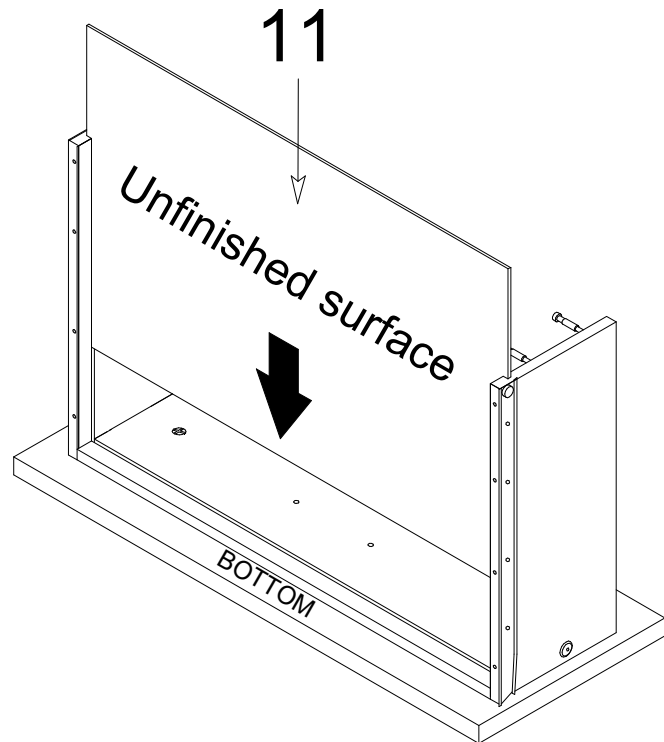
STEP 5.



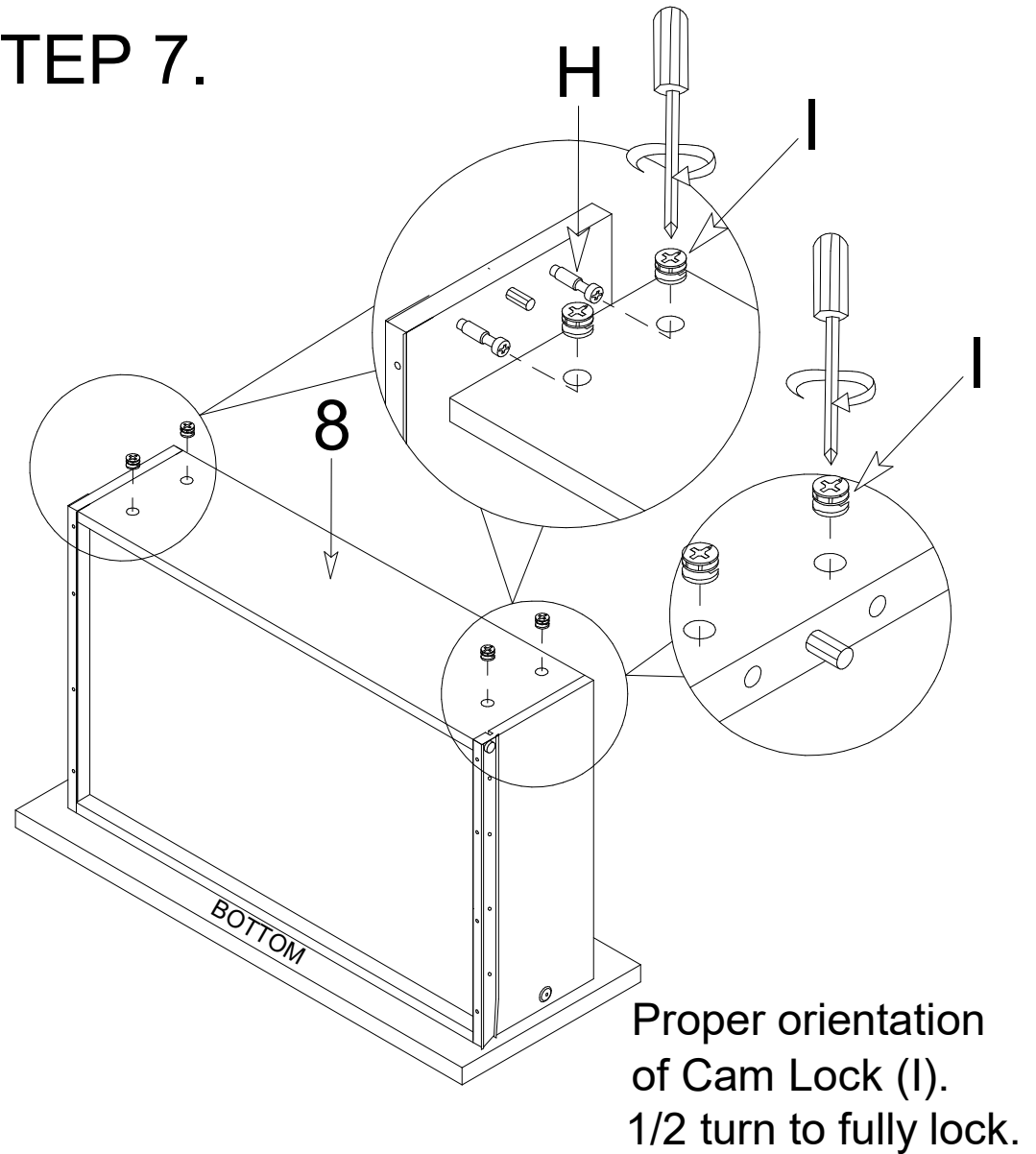
ASSEMBLY INSTRUCTION

MODEL: LENNOX (NIGHT STAND)

STEP 6.



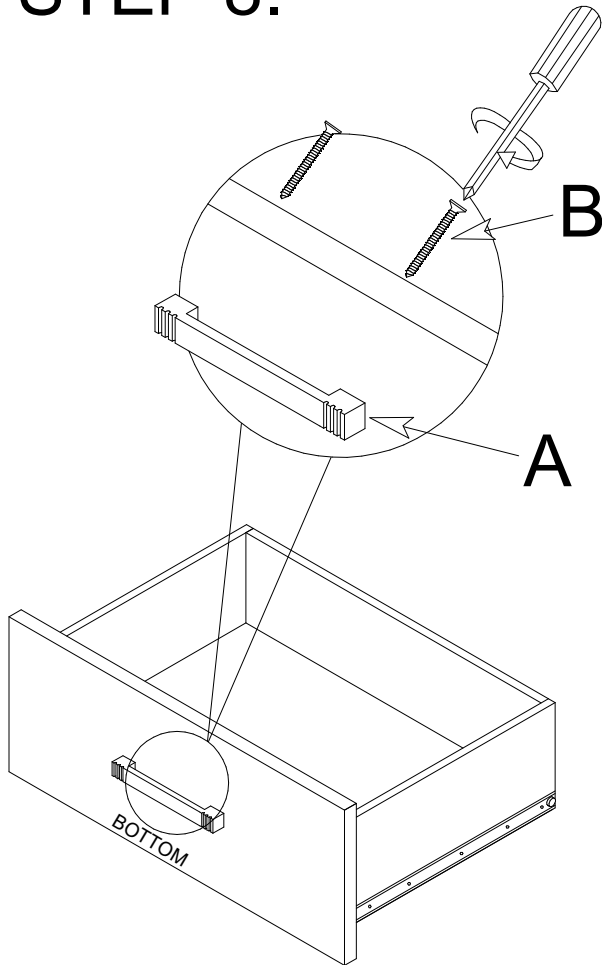
STEP 7.



ASSEMBLY INSTRUCTION

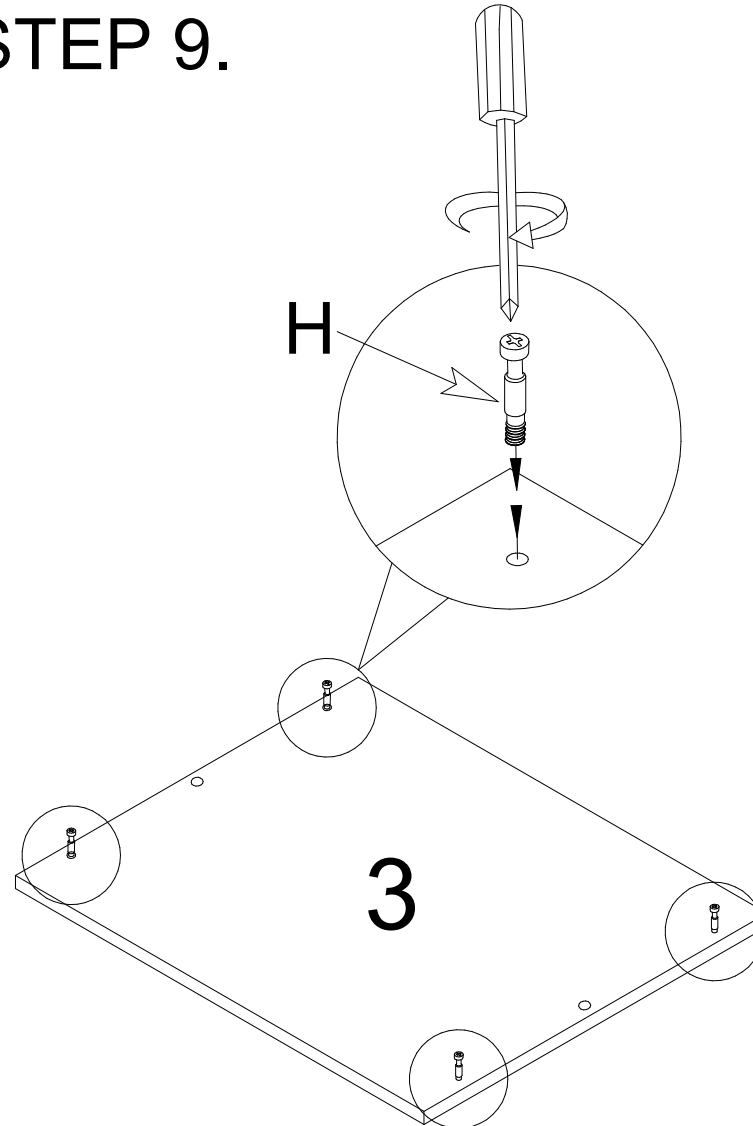
MODEL : LENNOX (NIGHT STAND)

STEP 8.



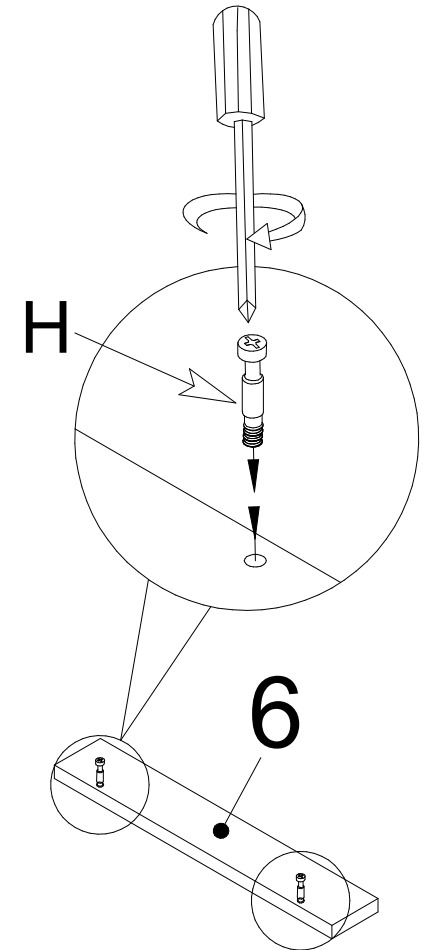
Attach handle using handle screw (B).

STEP 9.



Tighten fully. (Do not over tighten).

STEP 10.

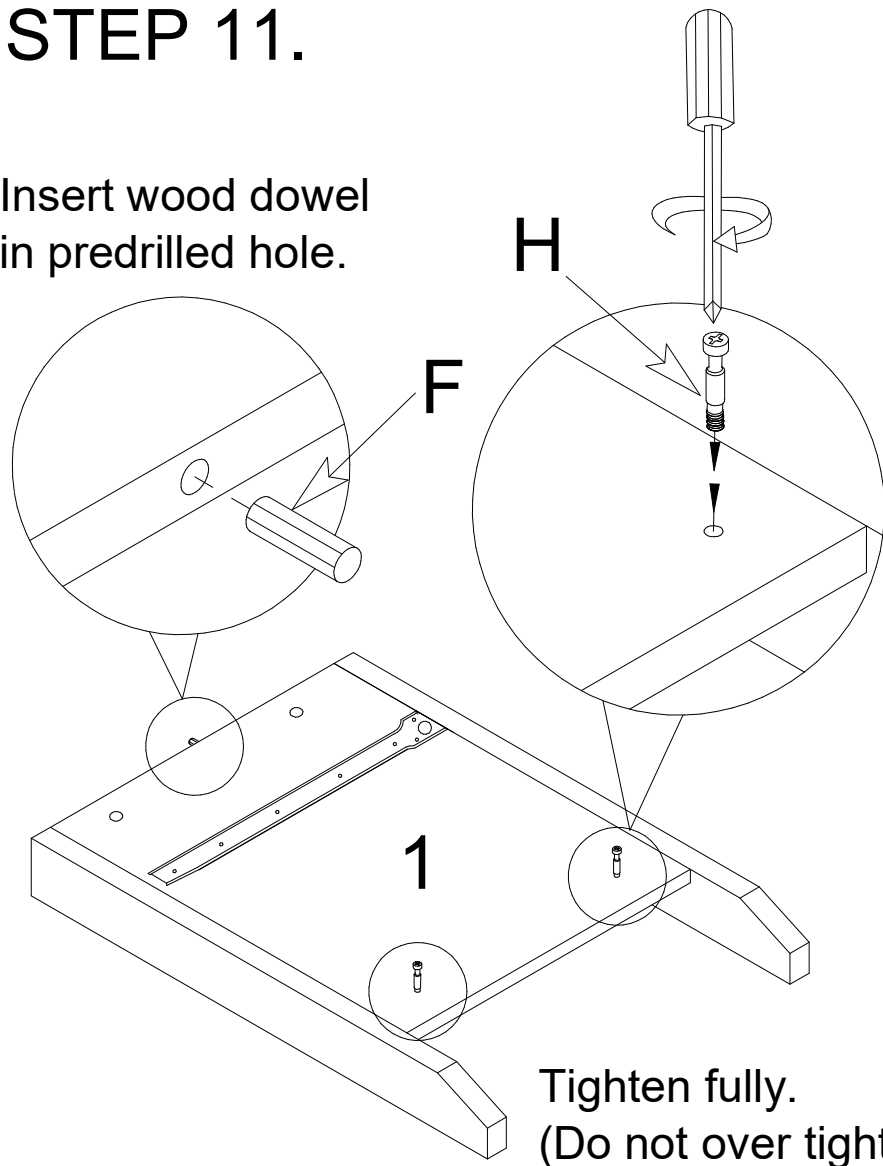


ASSEMBLY INSTRUCTION

MODEL: LENNOX (NIGHT STAND)

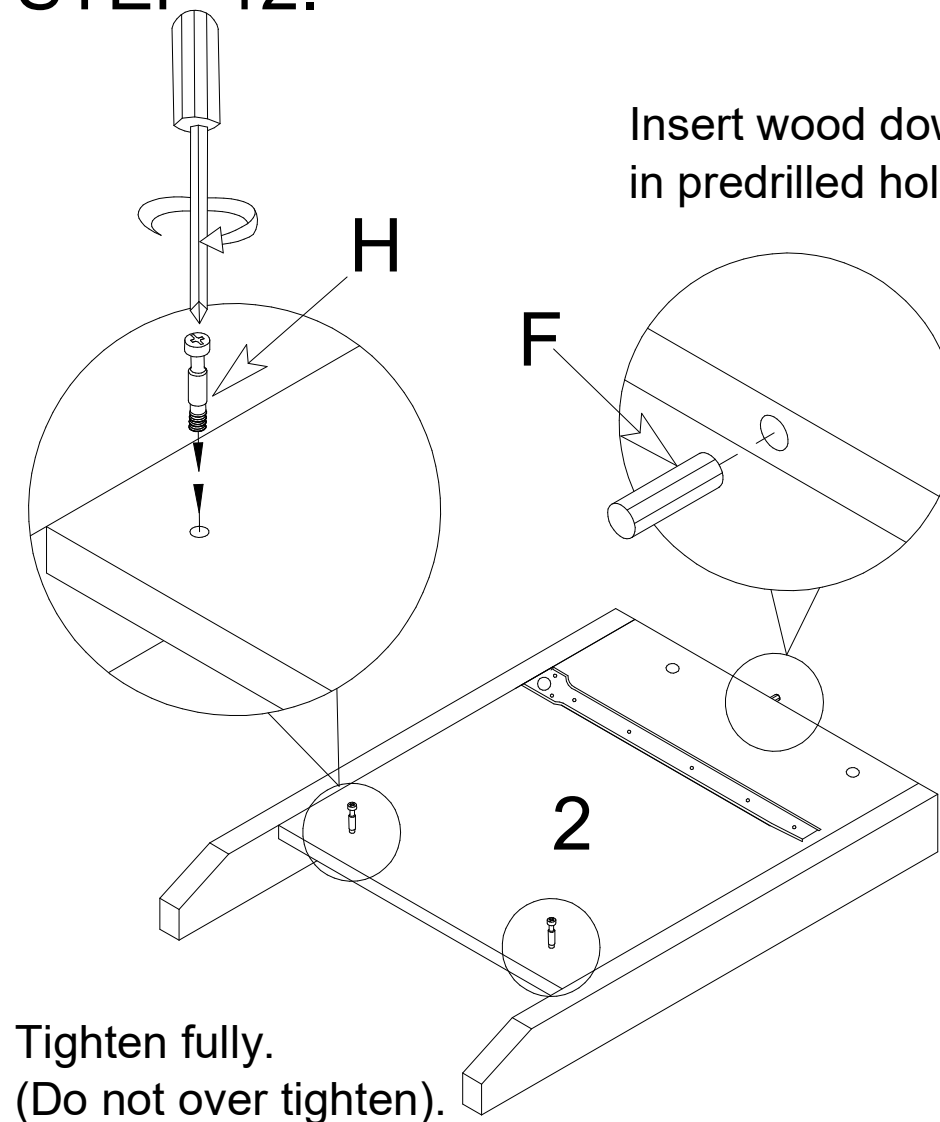
STEP 11.

Insert wood dowel
in predrilled hole.



STEP 12.

Insert wood dowel
in predrilled hole.

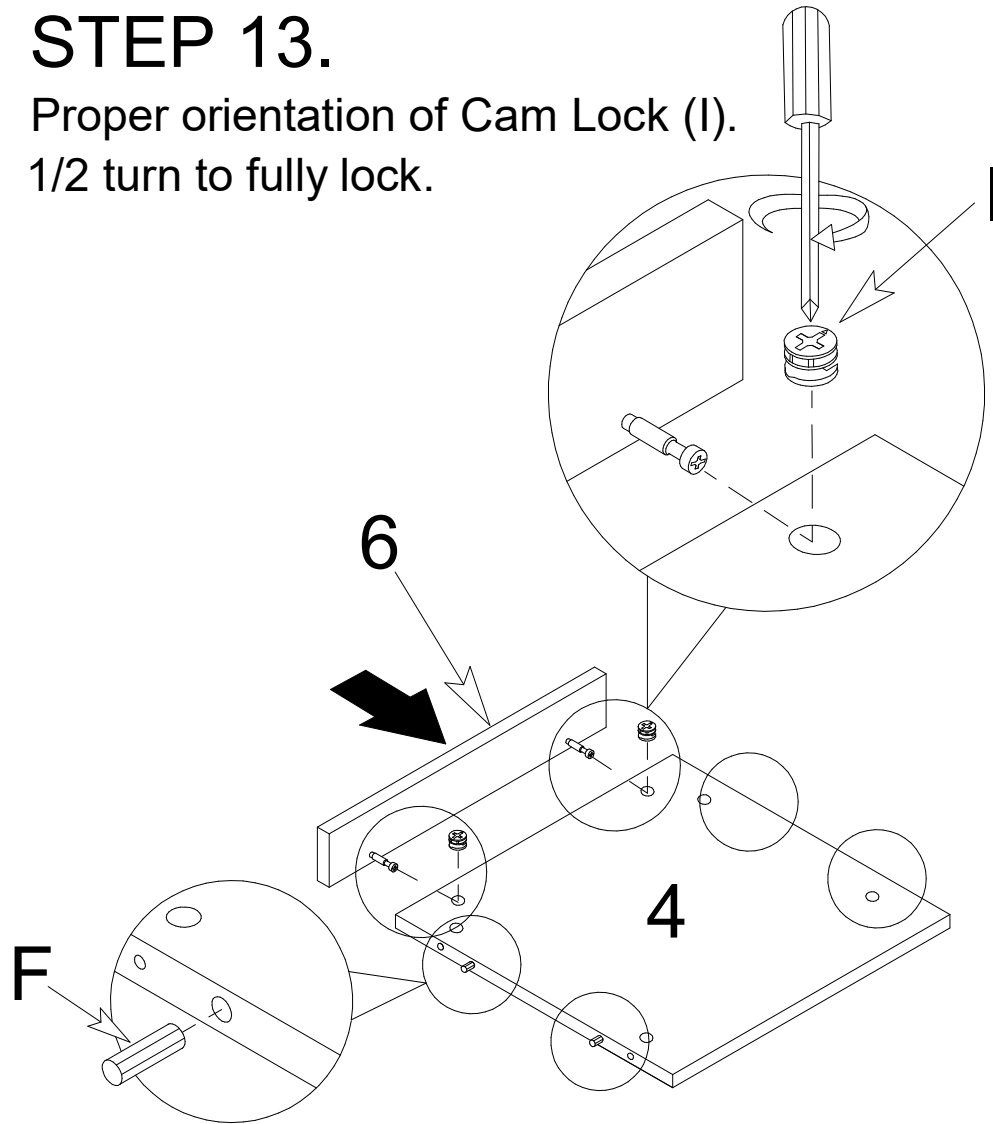


ASSEMBLY INSTRUCTION

MODEL: LENNOX (NIGHT STAND)

STEP 13.

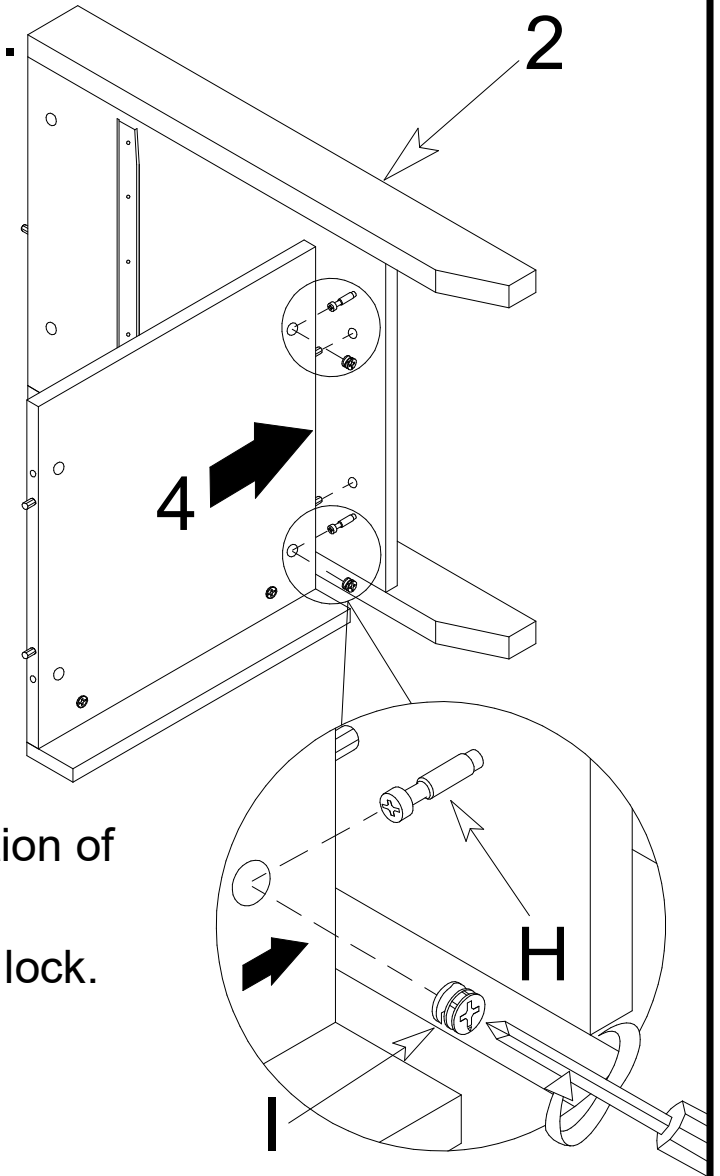
Proper orientation of Cam Lock (I).
1/2 turn to fully lock.



Insert wood dowel in predrilled hole.

STEP 14.

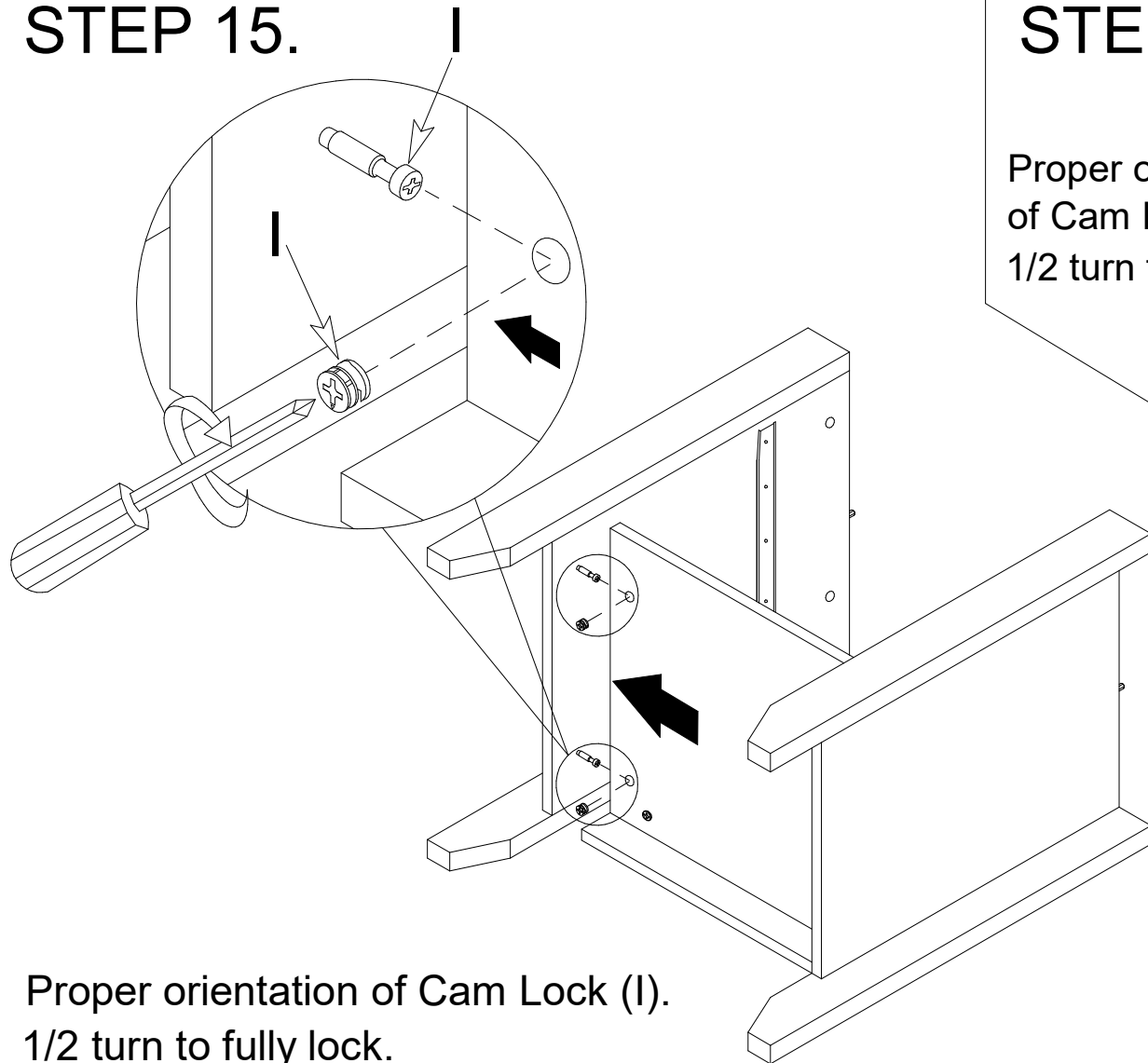
Proper orientation of
Cam Lock (I).
1/2 turn to fully lock.



ASSEMBLY INSTRUCTION

MODEL: LENNOX (NIGHT STAND)

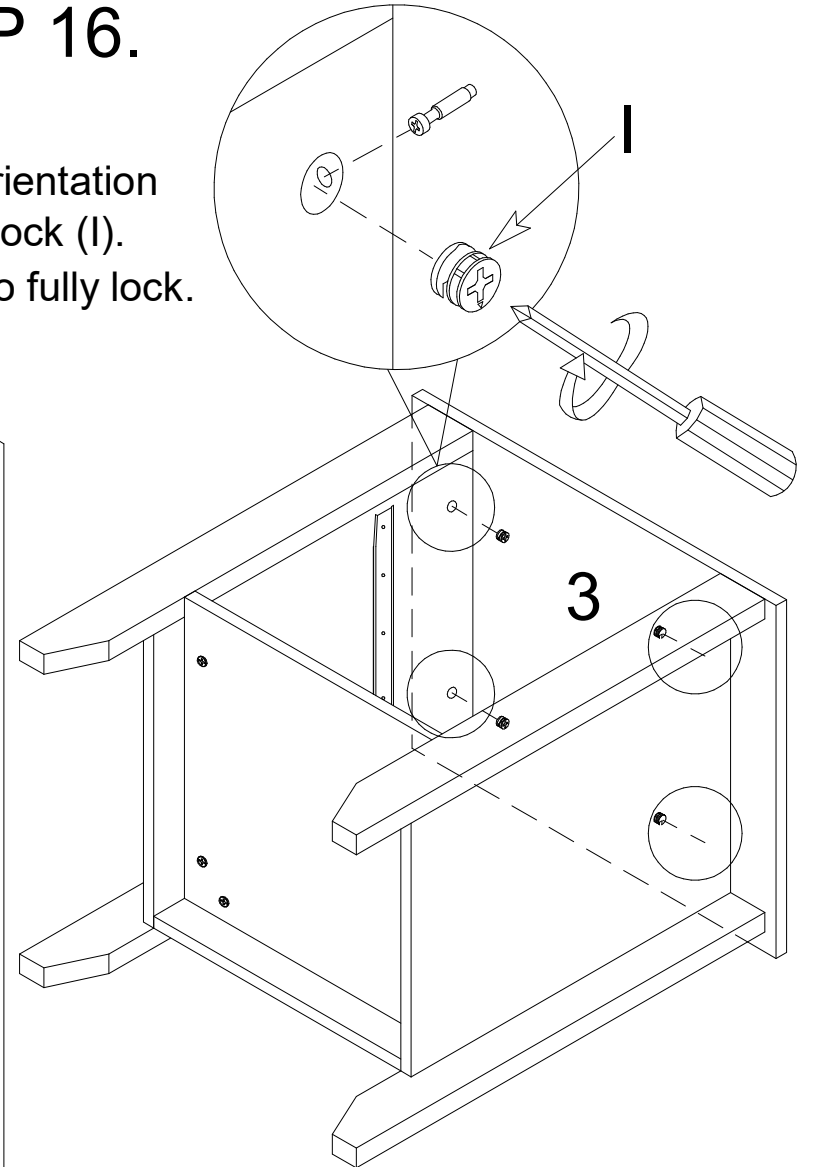
STEP 15.



Proper orientation of Cam Lock (I).
1/2 turn to fully lock.

STEP 16.

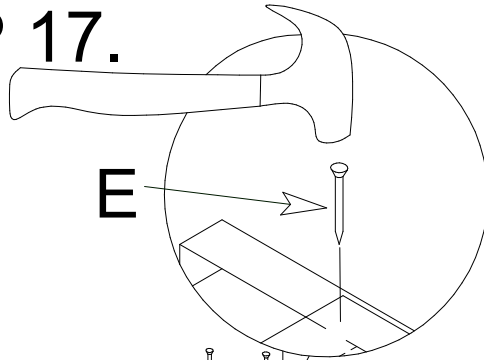
Proper orientation
of Cam Lock (I).
1/2 turn to fully lock.



ASSEMBLY INSTRUCTION

MODEL: LENNOX (NIGHT STAND)

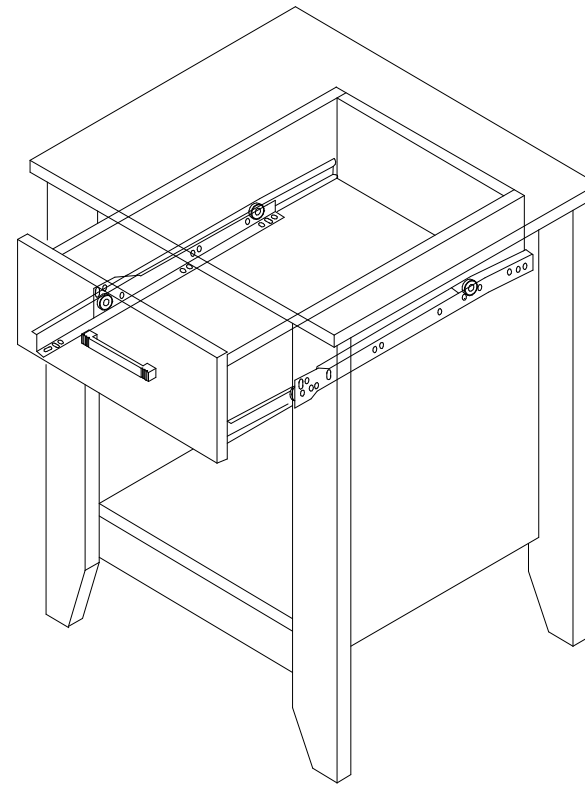
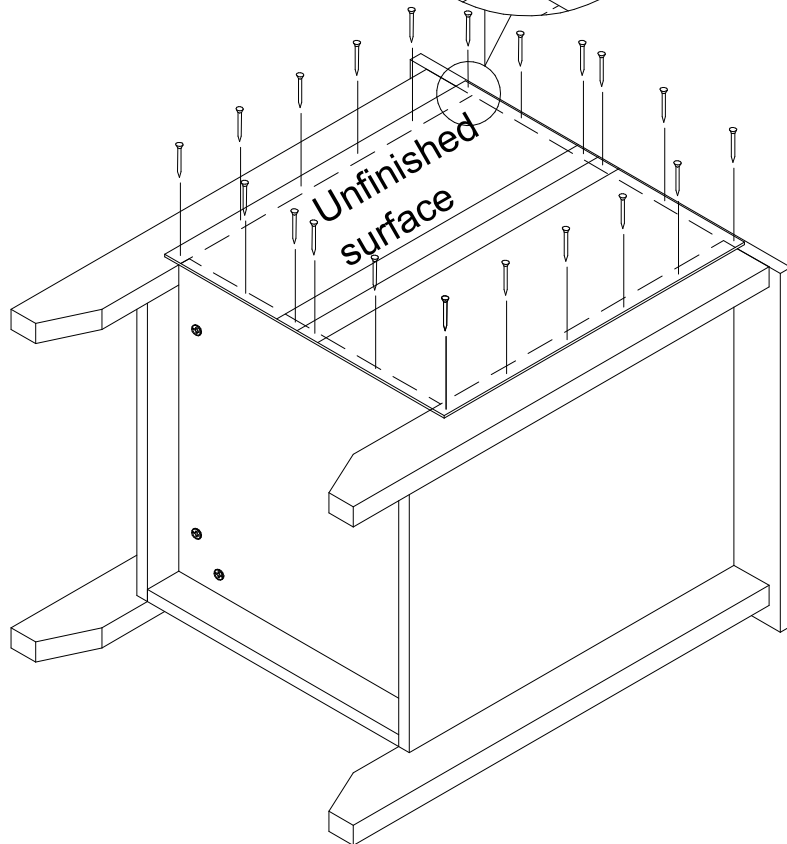
STEP 17.



STOP

Please make sure unfinished surface facing upwards before hammering the nails.

STEP 18.



Put in drawer on the track.

