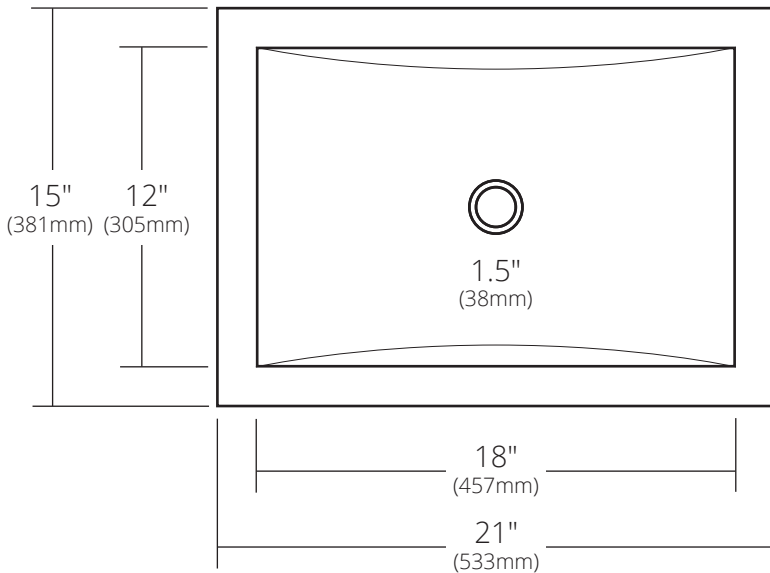


SPECIFICATIONS

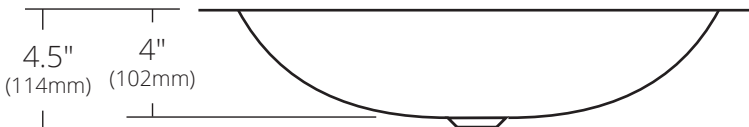
AVILA



TOP VIEW



SIDE VIEW



HERITAGE TEXTURE

- CPS245 Antique
- CPS545 Brushed Nickel
- CPS445 Polished Copper
- CPS845 Polished Nickel

FOUNDRY TEXTURE

- CPS245-F Antique
- CPS845-F Polished Nickel

PRODUCT DETAILS

- 21" x 15" x 4.5" OD (533mm x 381mm x 114mm)
- 18" x 12" x 4" ID (457mm x 305mm x 102mm)
- Hand hammered 16 gauge recycled copper
- 1.5" (38mm) drain opening

INSTALLATION

- Undermount

COORDINATING PRODUCTS

- Drains: DR120, DR130 or DR150
- MetalProtect™ for polished finishes
- UK1426 Undermount Kit
- Vanity Top Cutout: -R1812 Rectangle 18 x 12

STANDARDS COMPLIANCE

- UPC/cUPC compliant
- **ADA COMPLIANT**

IMPORTANT

Due to the handcrafted nature of this product, it will vary in finish, texture, hammering, and other details. Dimensions may vary up to 1/4" (6mm). We strongly recommend waiting for the actual product before making any installation cuts.