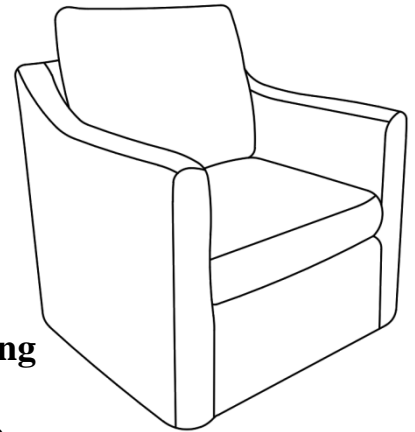


## Assembly instructions



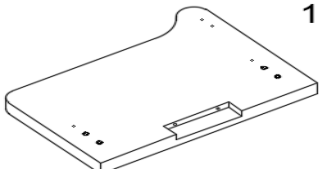



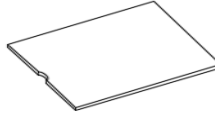

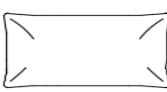
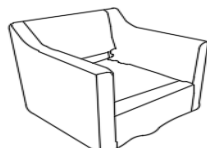
Your chair comes packaged in 1 box . Carefully remove all of components from the packaging and set aside for assembly.

### Before Beginning


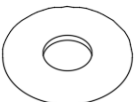
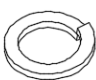
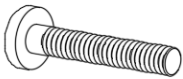
- 1 - Carefully unpack and position the item on a clean, non-marring surface to assemble.
- 2 - Read this Assembly instructions from beginning to end before starting to assemble.
- 3 - Take an inventory of the required parts to ensure all are available.
- 4 - To prevent accidental choking hazards, keep all packing materials away from small children.
- 5 - Only tighten hardware until ALL hardware are fully engaged on their locations. Overtighten bolts will damage the bolt threads.
- 6 - Use only factory provided hardware to assemble. Unapproved hardware can damage product or jeopardize the structural integrity of the product.
- 7 - The use of power tool to assemble is not recommended due to high risk of over-torque, which can damage the product.

### Package Contents

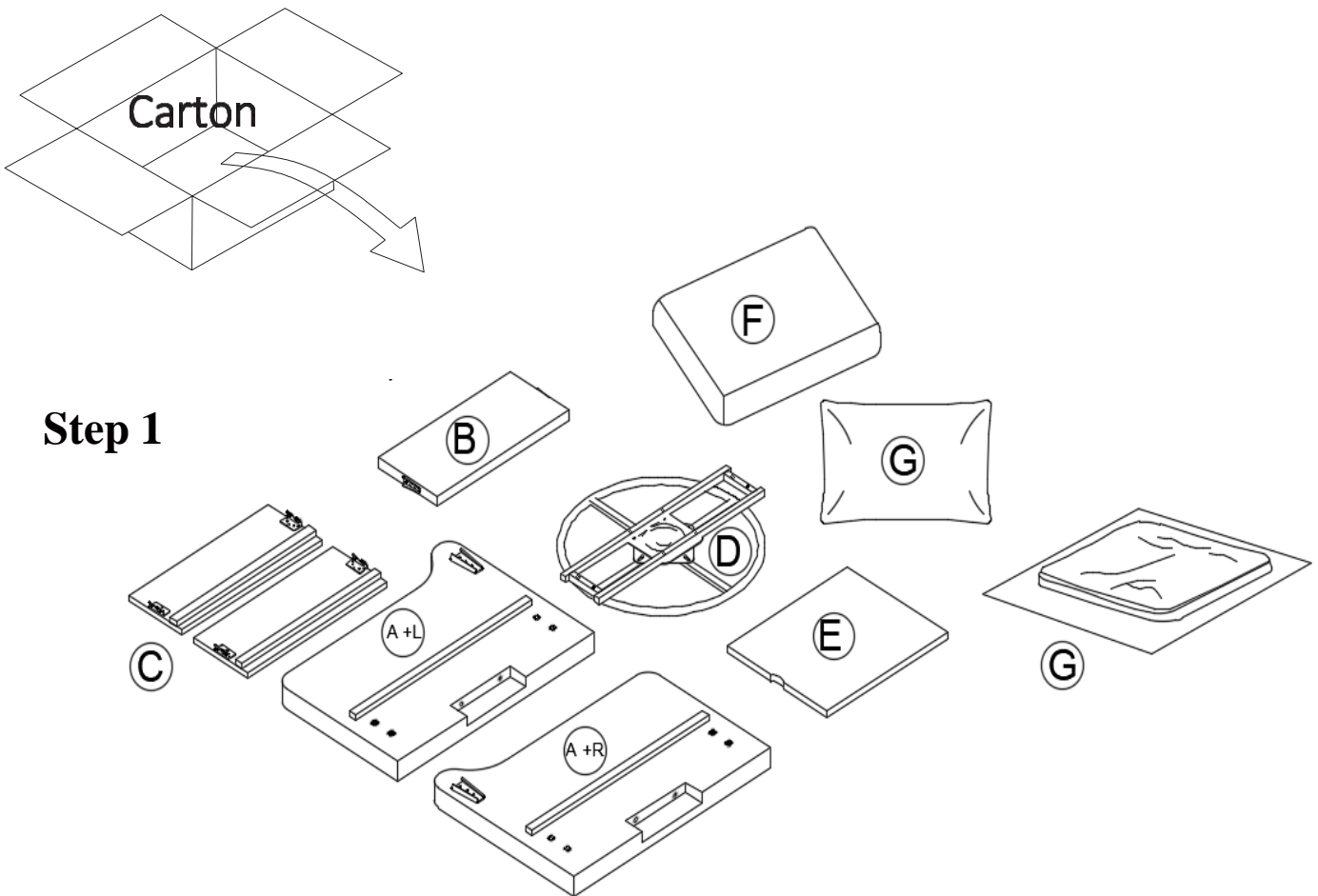
#### Parts list Carton

<p><b>A</b> <span style="float: right;">L+R 1=1</span></p>  <p><b>Armrest</b></p>	<p><b>B</b> <span style="float: right;">x 1</span></p>  <p><b>Backrest</b></p>	<p><b>C</b> <span style="float: right;">x 2</span></p>  <p><b>Front &amp; rear panel</b></p>
<p><b>D</b> <span style="float: right;">x 1</span></p>  <p><b>Leg</b></p>	<p><b>E</b> <span style="float: right;">x 1</span></p>  <p><b>Seat base</b></p>	<p><b>F</b> <span style="float: right;">x 1</span></p>  <p><b>Seat cushion</b></p>
<p><b>G</b> <span style="float: right;">x 1</span></p>  <p><b>Back cushion</b></p>	<p><b>H</b> <span style="float: right;">x 1</span></p>  <p><b>Sofa cover</b></p>	

# Hardware list

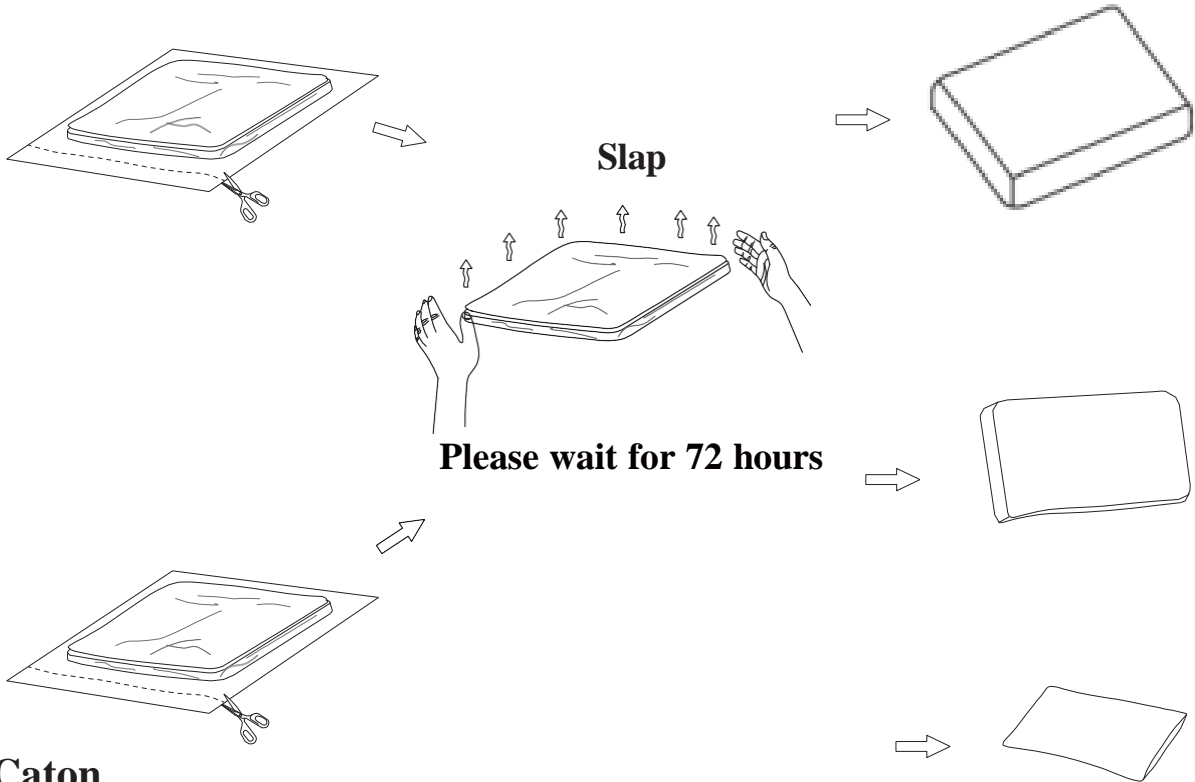
<p>1 x 1</p>  <p>Allen key</p>	<p>2 x 4</p>  <p>Sealing washer</p>	<p>3 x 4</p>  <p>Split washer</p>
<p>4 x 4</p>  <p>bolt 1.5"</p>		

**Unpackaging. Remove the cushions from the vacuum-sealed packaging**



**Step 1**

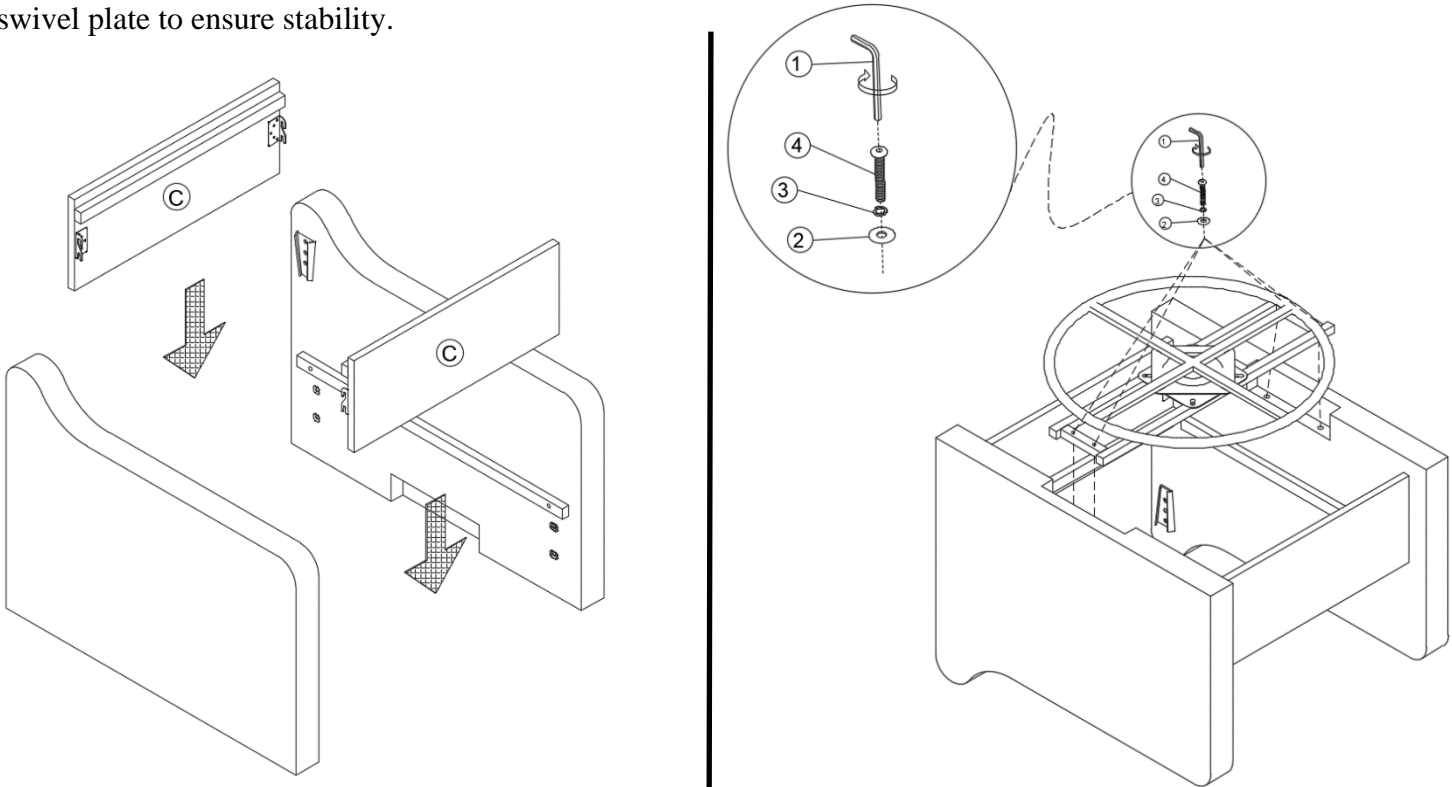
## Step 2:



## Caton

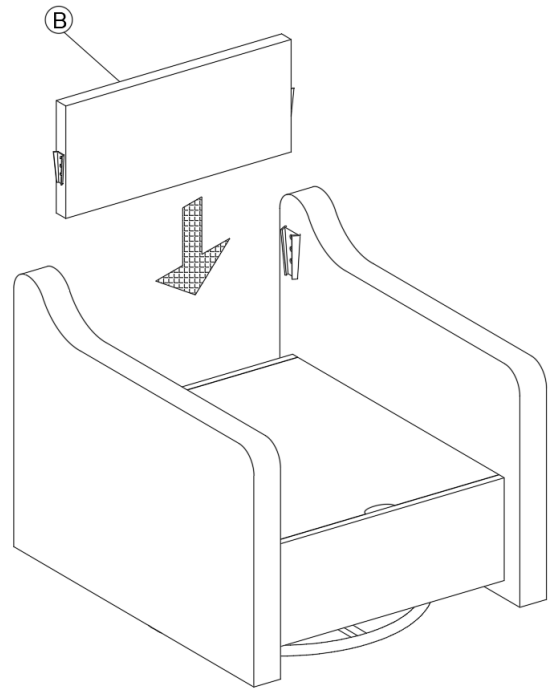
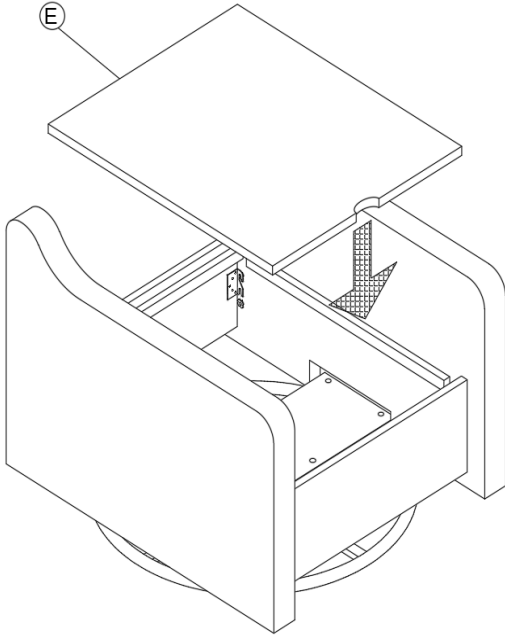
### Step 3:

1. Attach the two **Front & Rear Panels** to the two **Armrests**, then press down until they are fully aligned and securely fitted.
2. Turn the product over, then prepare the hardware set to install the round swivel plate onto the frame. Assemble it in order from bottom to top as illustrated, tighten the screws clockwise, and securely fasten all four positions of the swivel plate to ensure stability.



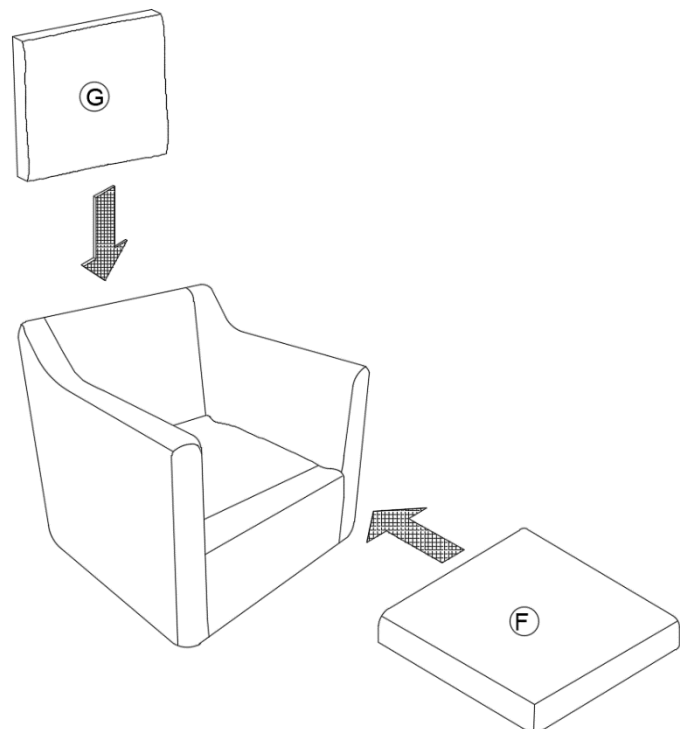
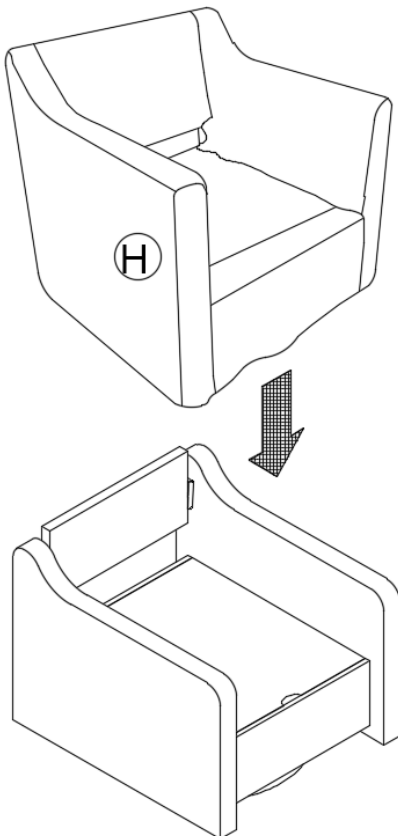
## Step 4:

1. Next, place panel **E** on top of the frame, slide it into position, and lower it as indicated by the arrows to secure it firmly in place.
2. Place panel **B** onto the brackets on the chair frame, align it with the slots, and press down until it is fully fitted into place.

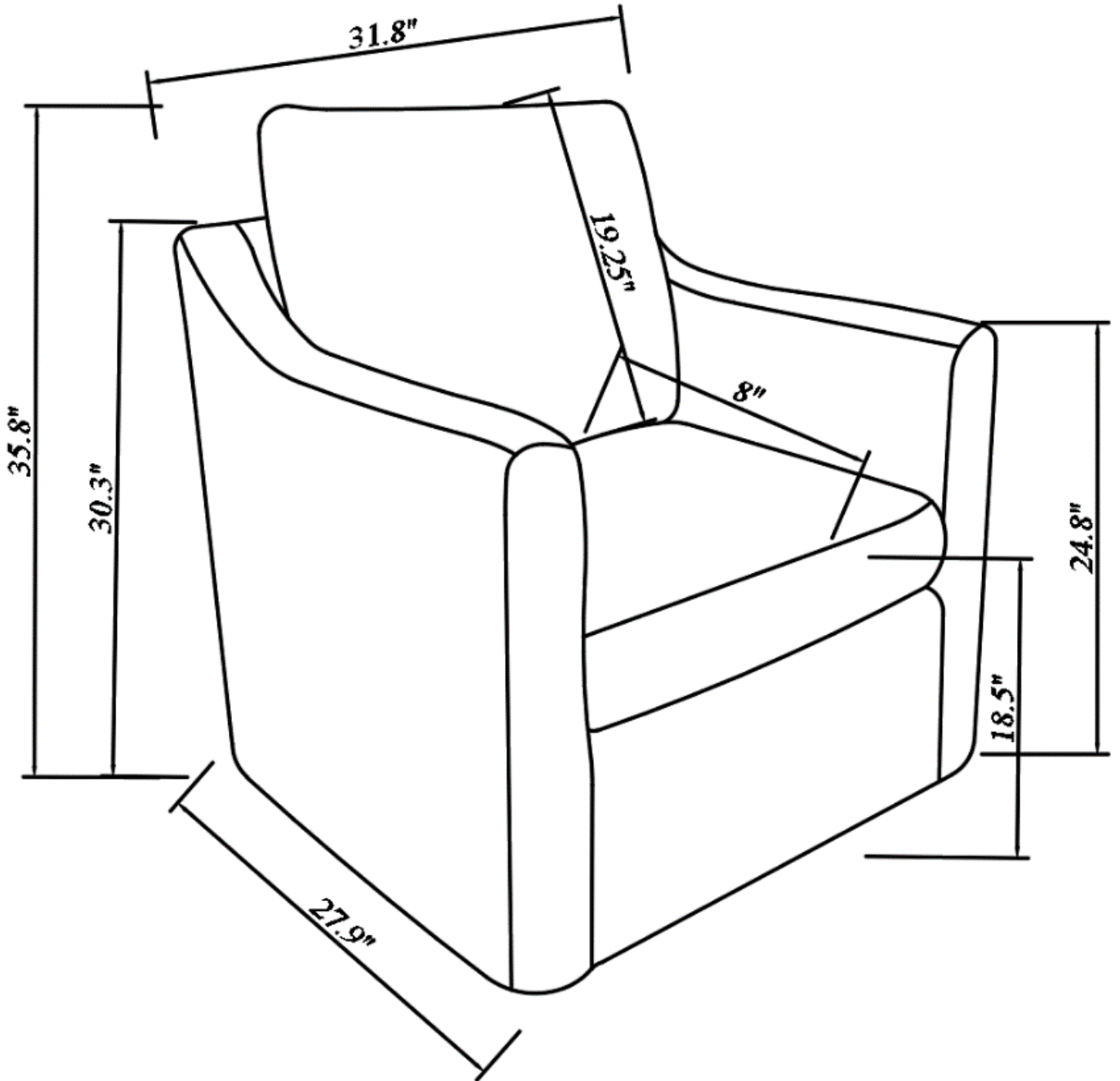


## Step 5:

1. Take the **sofa cover** and place it over the chair, adjusting it to fit snugly and neatly.
2. Place the seat cushion and back cushion onto the chair as shown in the illustration, making sure they are positioned neatly and evenly.



Step 6:



## Warnings

- 1. Please check if the components of the chair are all included and can be used normally.**
- 2. Assemble all components according to the instruction correctly before you use the chair.**
- 3. Please DO NOT sit on the armrests to eliminate the risk of tipping over.**
- 4. If the chair is damaged or doesn't match the website description, please send clear pictures of the product and label of the carton to our service team for further help.**

