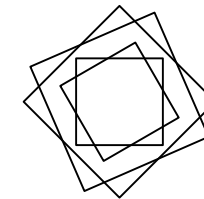
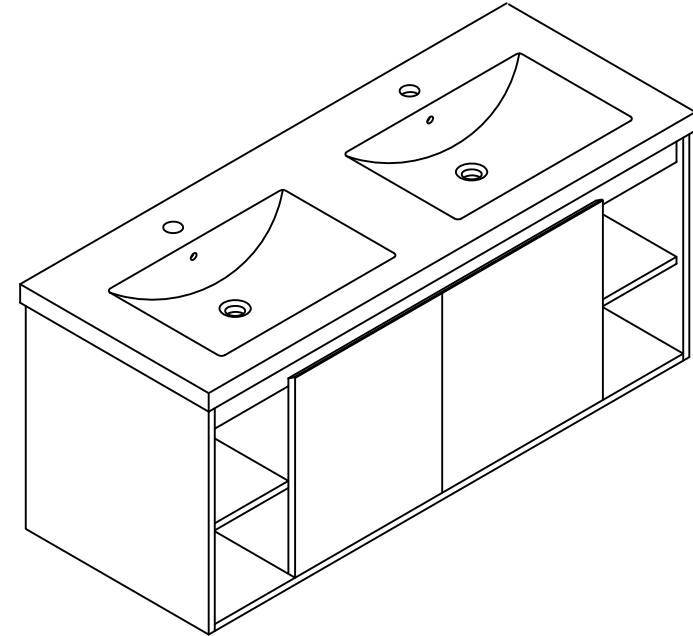


Installation Manual




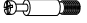



THANKS FOR WATCHING

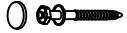
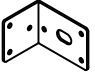




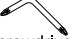
Your feedback is invaluable to us and we would love to hear about your experience. Please take the time to leave us a review.

Thank you for shopping with us!

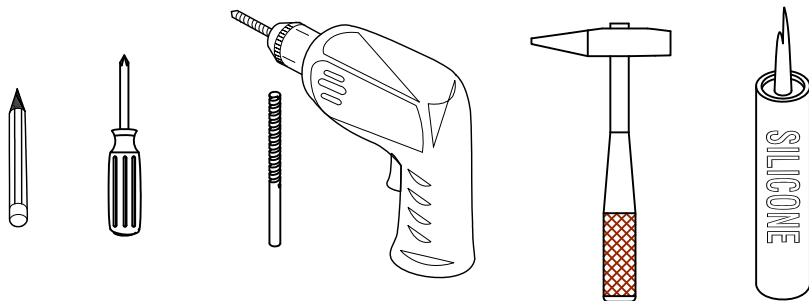
We encourage you to take a few minutes to go through this booklet. It contains important information on installation and care tips to keep your furniture looking as good as new.

Hardware

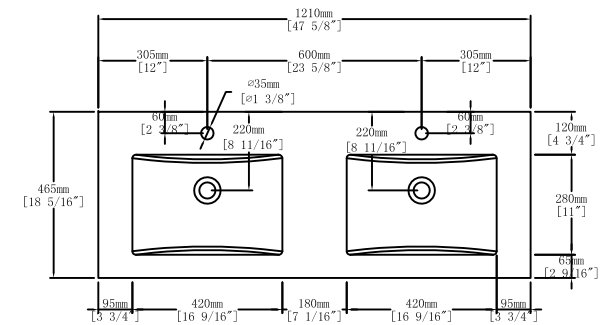
NO.	Draw	QTY
A	 Screws Ø4x14mm	44
B	 Two-in-one connector	45
C	 Two-in-one connector	45
D	 Wood plug	10
E	 Plastic anchor(Ø10mm)	4

NO.	Draw	QTY
F	 Screws for fix on the wall	4
G	 Bracket (53x70x44mm)	2
H	 Bracket (19x19x35mm)	2
I	 Hinges (Full cover)	4
J	 Anti-collision gasket	2
K	 Door stopper	2
L	 Screwdriver	1

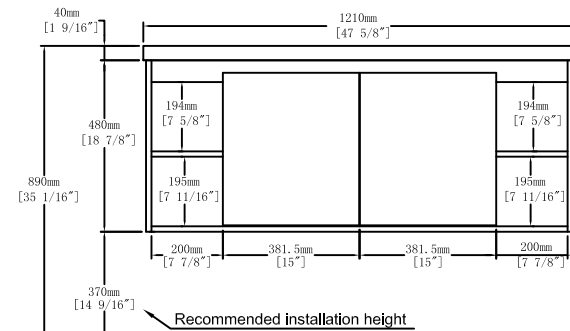
Recommended tools



Dimensions



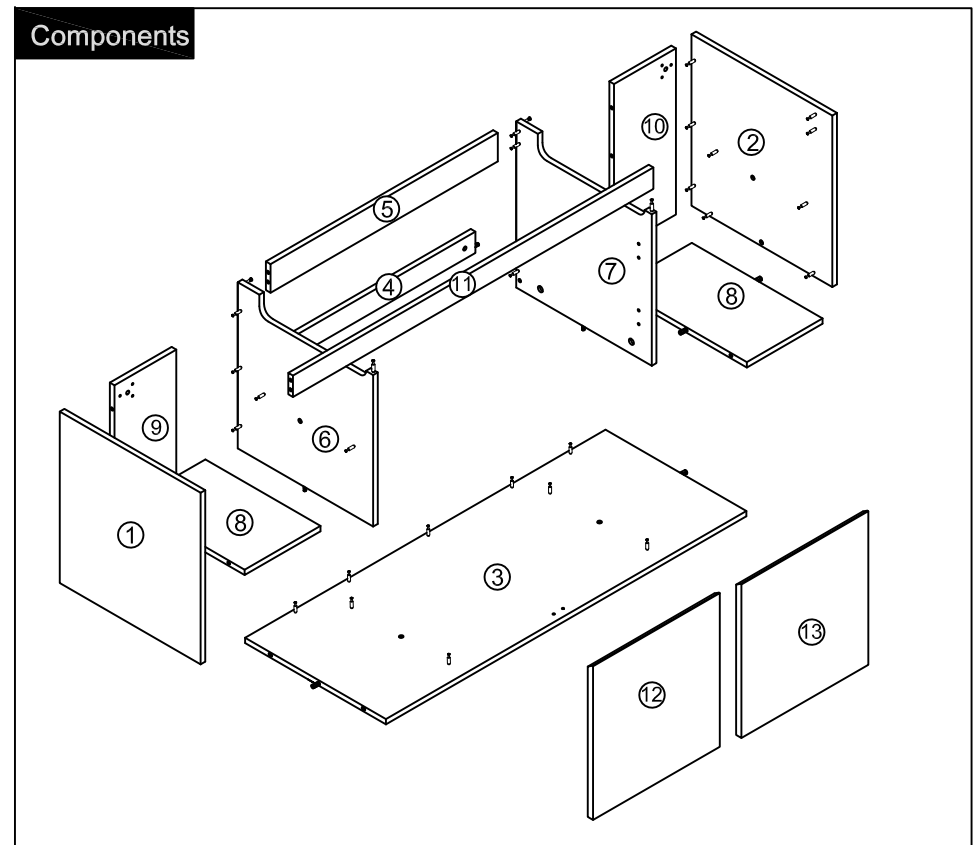
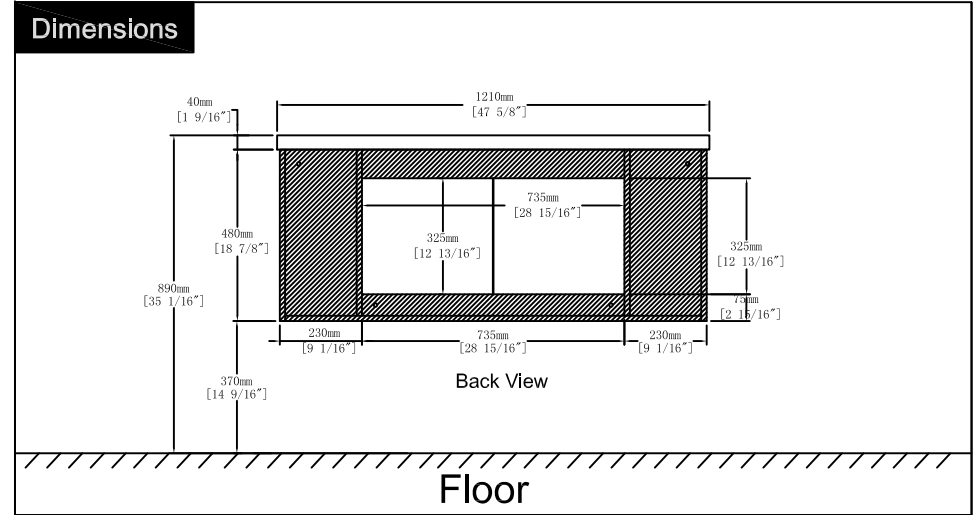
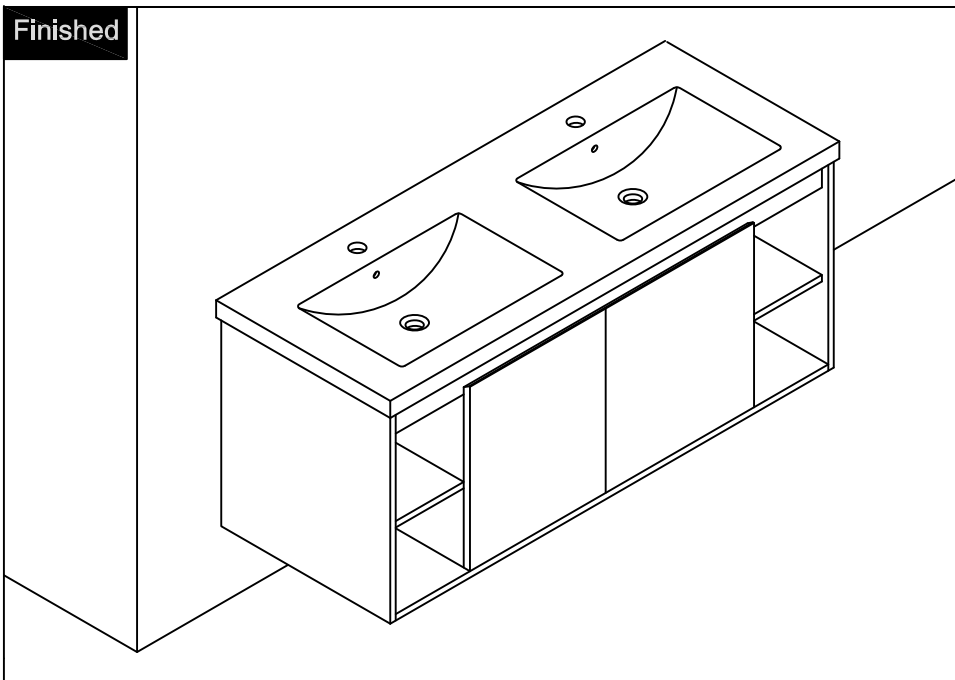
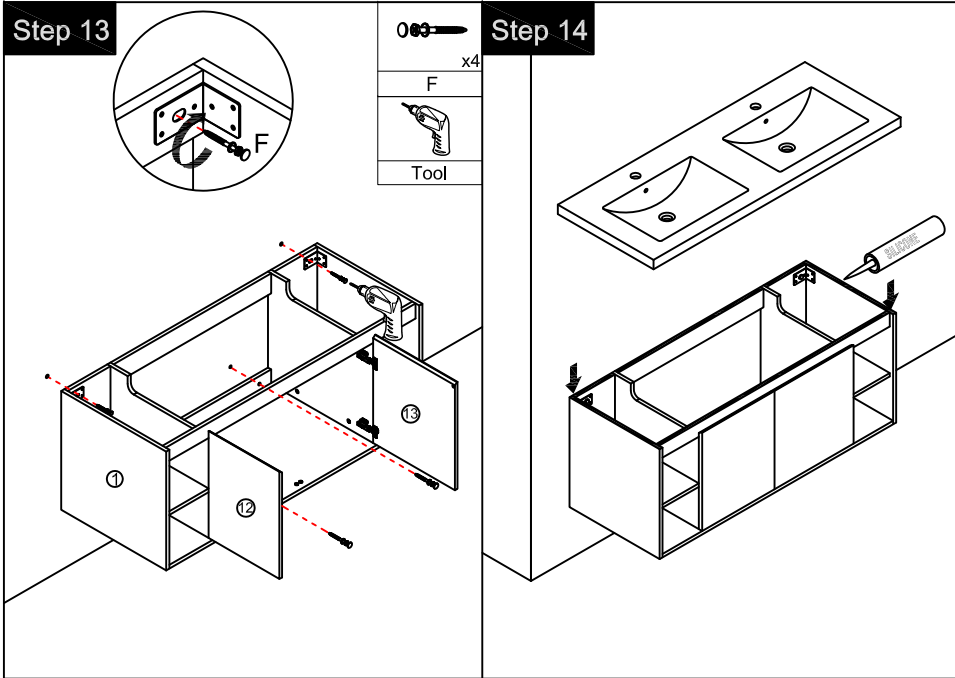
Top View



Floor

CARE CLEANING AND MAINTENANCE

1. Dust regularly with a soft , dry cloth.
2. Avoid the use of all chemicals household cleaners, abrasives, or cleaners that contain lemon, vinegar, or other acids that may damage the finish.
3. Excessive exposure to sunlight and extreme changes in temperature and moisture can damage wood furniture.
4. The sink top is resilient, but care needs to be taken to preserve its appearance.
5. Do not place hot appliances, such as curling irons and hot hair dryers directly on the countertop. Wipe spills immediately.



Step 1

Notes: Screw installation depth as shown

Attention: Cam lock arrow point to the steel rod.

	x6
B	
	x6
C	
	x1
L	

Step 2

first step second step third step

Notes: Screw installation depth as shown

Attention: Cam lock arrow point to the steel rod.

	x6
B	
	x6
C	
	x2
D	
	x1
L	

Step 11

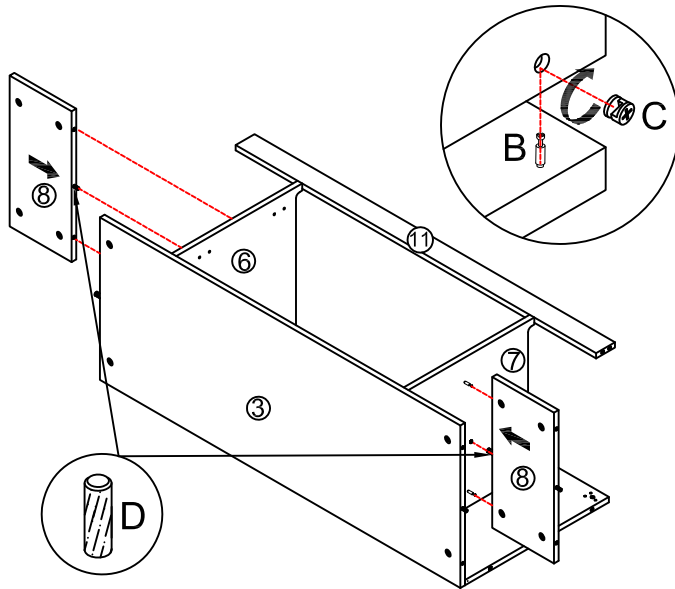
Tool

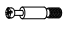
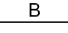

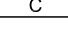
Ø10

Step 12

Tool

Step 5

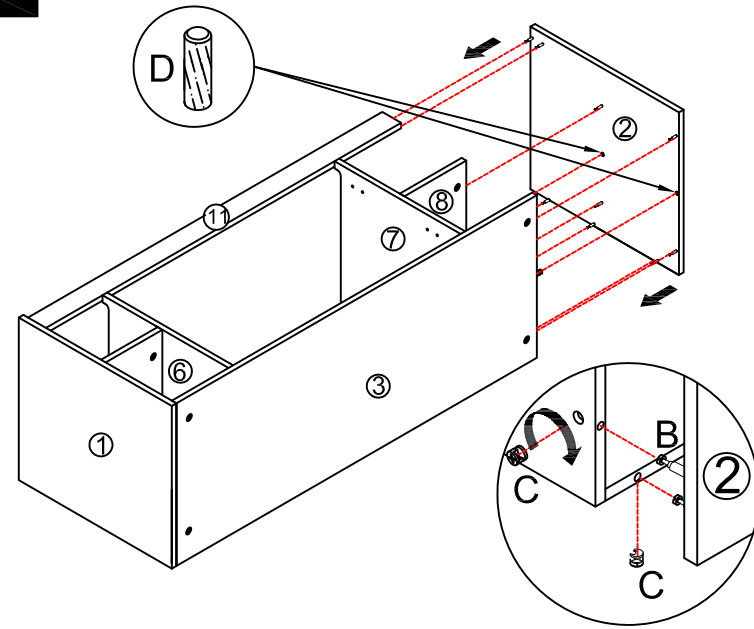


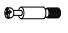
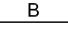

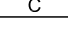
-  x4
-  x4
-  x2
-  x1

Note: The D parts are used for these two holes

Step 7

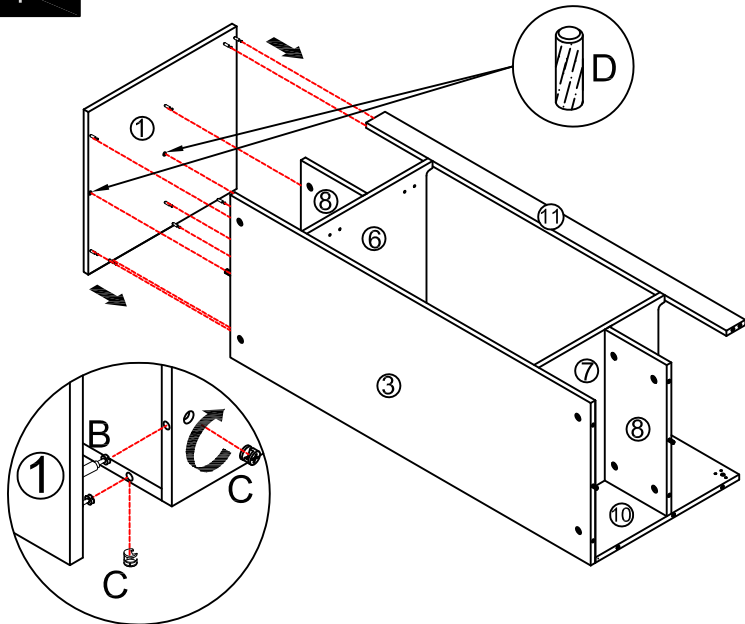
Note: The D parts are used for these two holes

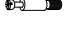
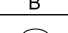

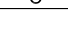


-  x9
-  x9
-  x2
-  x1

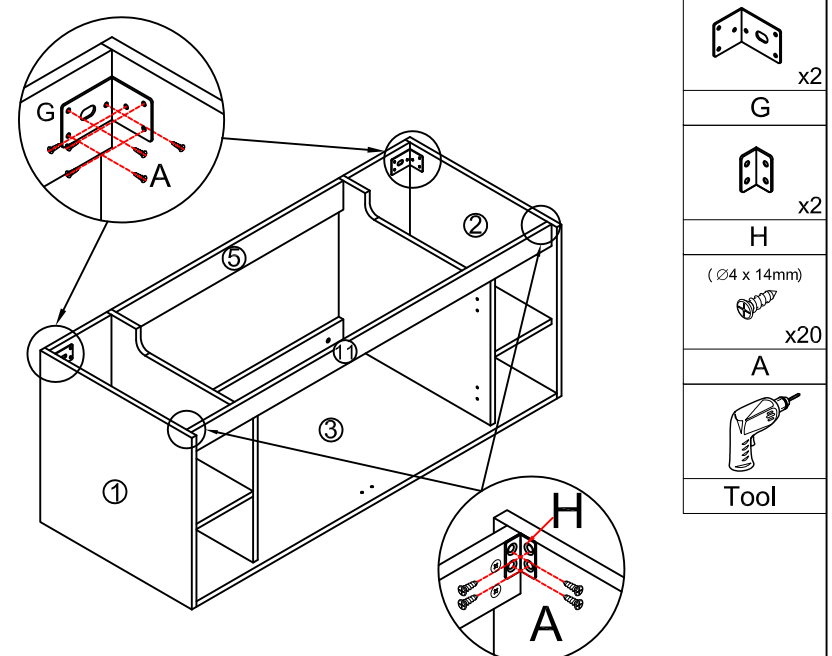
Step 6



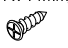

Note: The D parts are used for these two holes



-  x9
-  x9
-  x2
-  x1

Step 8



-  x2
-  x2
-  (∅4 x 14mm) x20
-  Tool