

ASSEMBLY INSTRUCTIONS

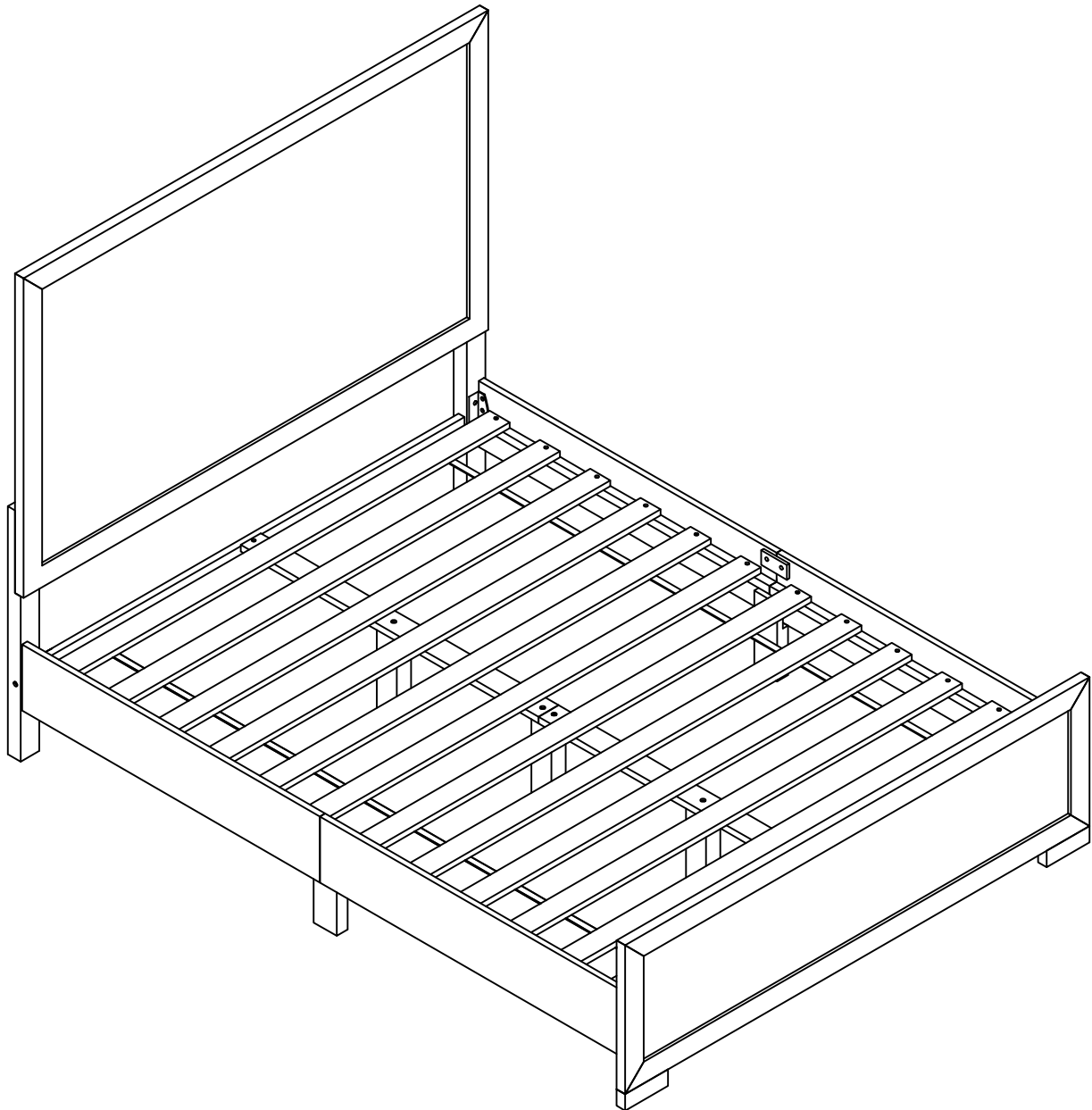
FULL-QUEEN-KING BED

READ this sheet prior to assembly to familiarise yourself with the various stages of construction. Carefully open the carton and check that you have all of the hardware and parts listed on the assembly instructions. Do not destroy any of the packaging until this has been confirmed.

CAUTION: There are small components used in the construction of this unit. These loose items should be kept away from young children while assembling your unit to avoid the danger of choking hazards.

INFORMATION:








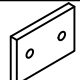
- Due to the size of this product we recommend that it is assembled in the room intended for use.
 - Check that all screws and bolts are tightened and inspect regularly.
 - Make sure the support legs remain in contact with the ground at all times.
 - DONOT use power tools to construct this product.
 - DONOT over tighten the screws or bolts.
 - DONOT tighten screws until the product is fully assembled
- Please retain these instruction for future reference



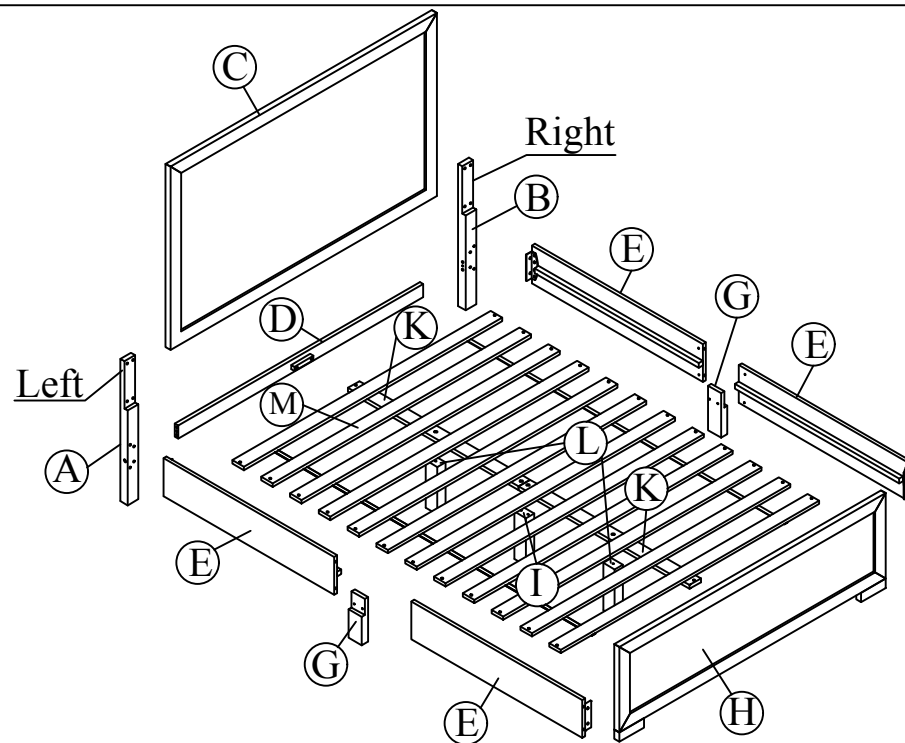
ASSEMBLY INSTRUCTIONS FULL-QUEEN-KING BED

Before starting to assemble, please check that all parts and hardware are included in the box.
If there are any issues with missing or damaged parts and/or hardware please

Hardware & illustration

| No | Description | Qty |
|----|--|-------|
| 1 |  Allen Key | 1pc |
| 2 |  Ø1/4" x 15mm | 12pcs |
| 3 |  4 x 30mm | 26pcs |
| 4 |  Ø1/4" x 30mm | 8pcs |
| 5 |  Ø10 x 40mm | 16pcs |
| 6 |  Ø1/4" x 35mm | 8pcs |
| 7 |  Ø1/4" x 90mm | 2pcs |
| 8 |  Metal Bracket | 2pcs |




Part List & illustration

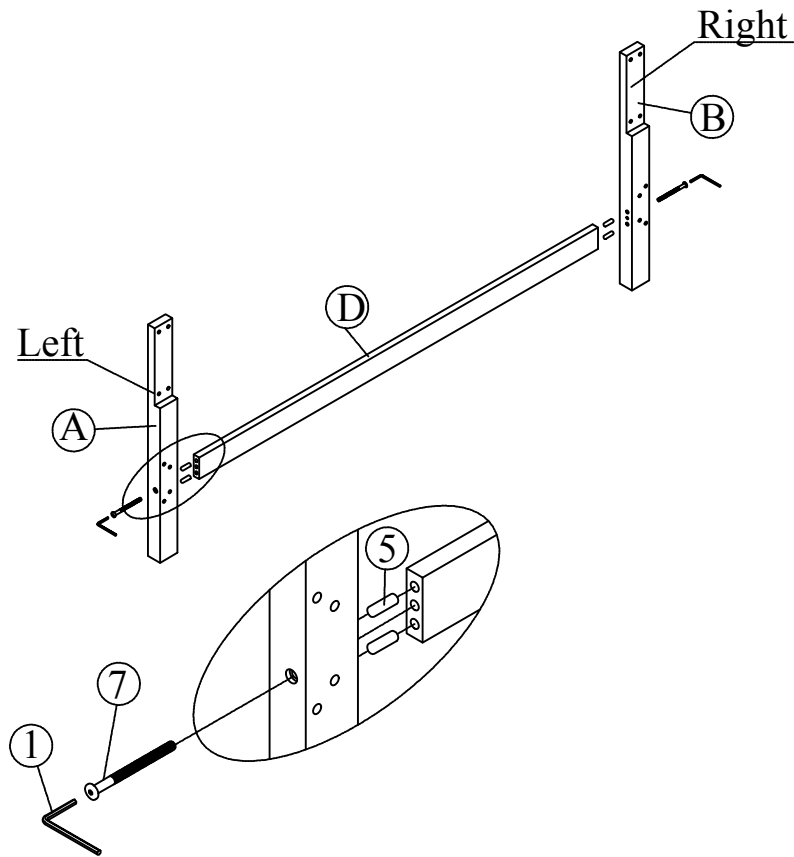


Part List & illustration



| A | B | C | D | E | G | H | I | K | L | M |
|-----|-----|-----|-----|------|------|-----|-----|------|------|-------|
| 1pc | 1pc | 1pc | 1pc | 4pcs | 2pcs | 1pc | 1pc | 2pcs | 2pcs | 12pcs |

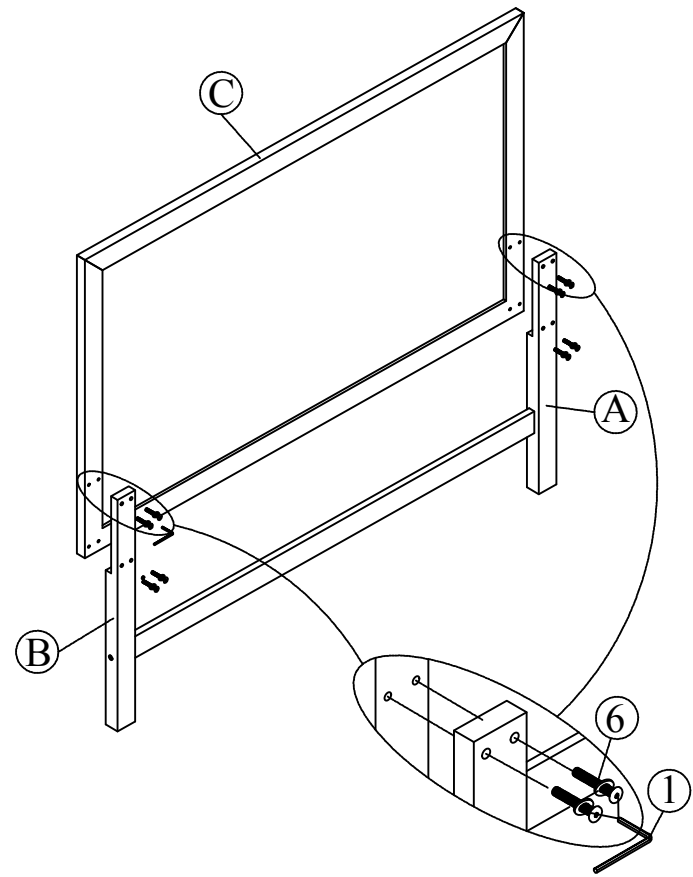
STEP 1

| No | Description | Qty |
|----|--|------|
| 1 |  Allen Key | 1pc |
| 5 |  Ø10 x 40mm | 4pcs |
| 7 |  Ø1/4" x 90mm | 2pcs |




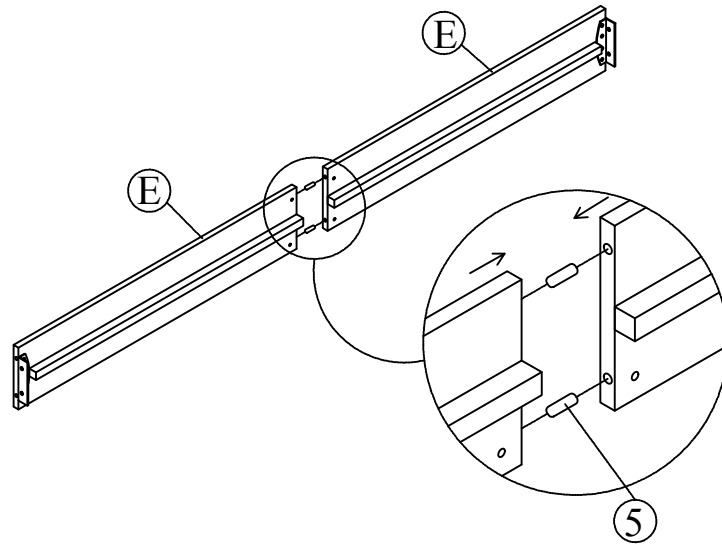
STEP 2

| No | Description | Qty |
|----|--|------|
| 1 |  Allen Key | 1pc |
| 6 |  Ø1/4" x 35mm | 8pcs |




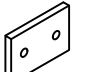


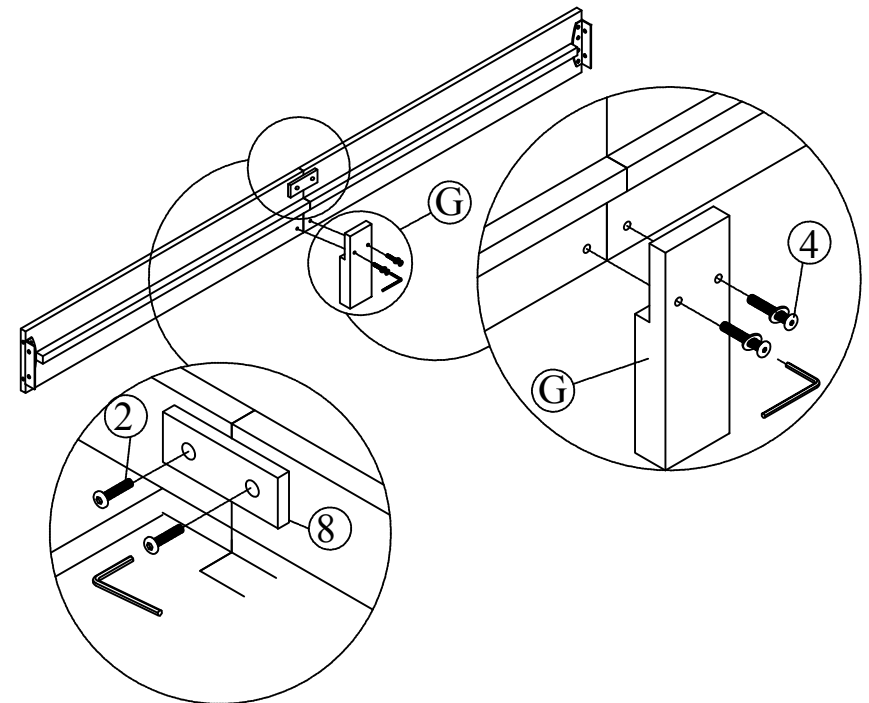
STEP 3

| No | Description | Qty |
|----|--|------|
| 5 |  Ø10 x 40mm | 4pcs |

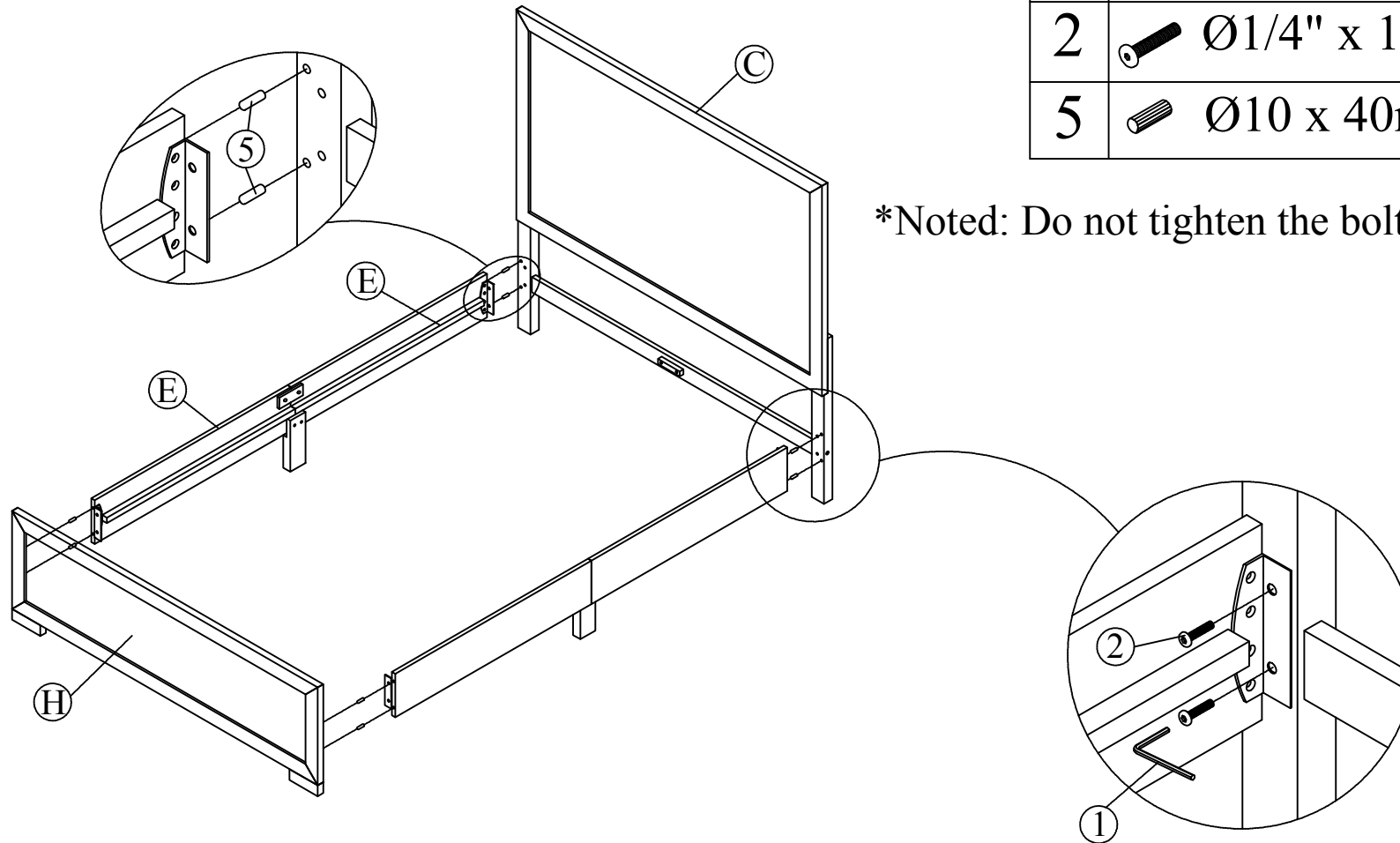





STEP 4

| No | Description | Qty |
|----|---|------|
| 1 |  Allen Key | 1pc |
| 4 |  Ø1/4" x 30mm | 4pcs |
| 2 |  Ø1/4" x 15mm | 4pcs |
| 8 |  Metal Bracket | 2pcs |



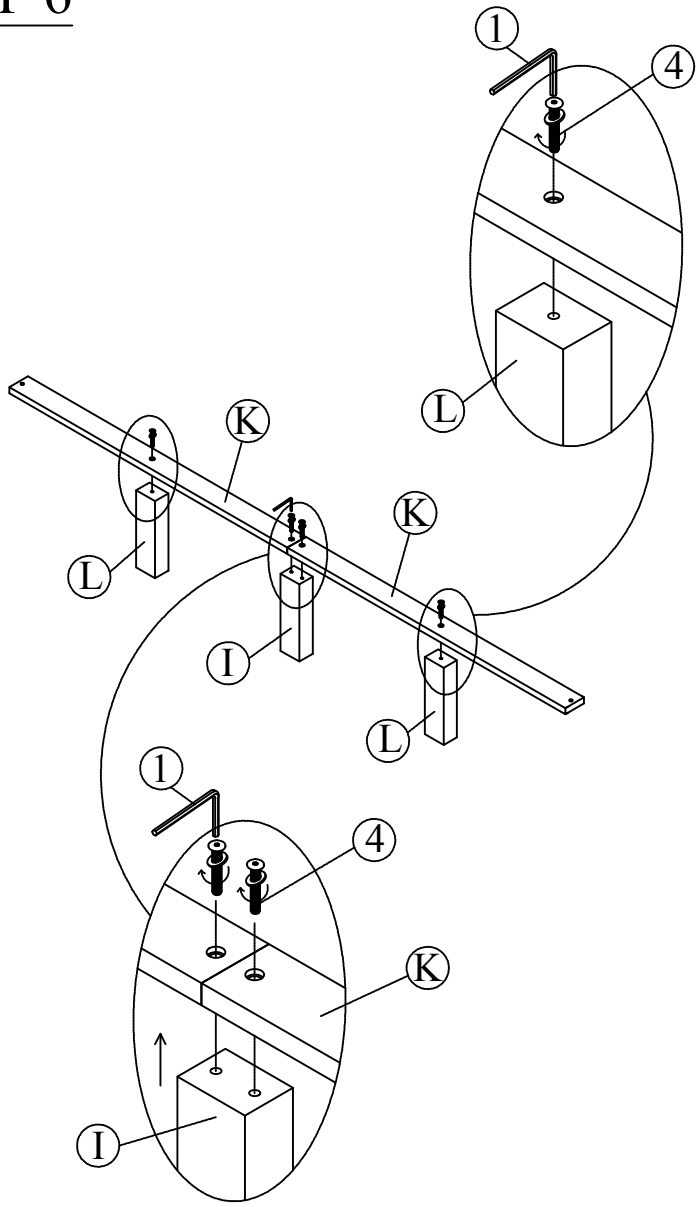
STEP 5






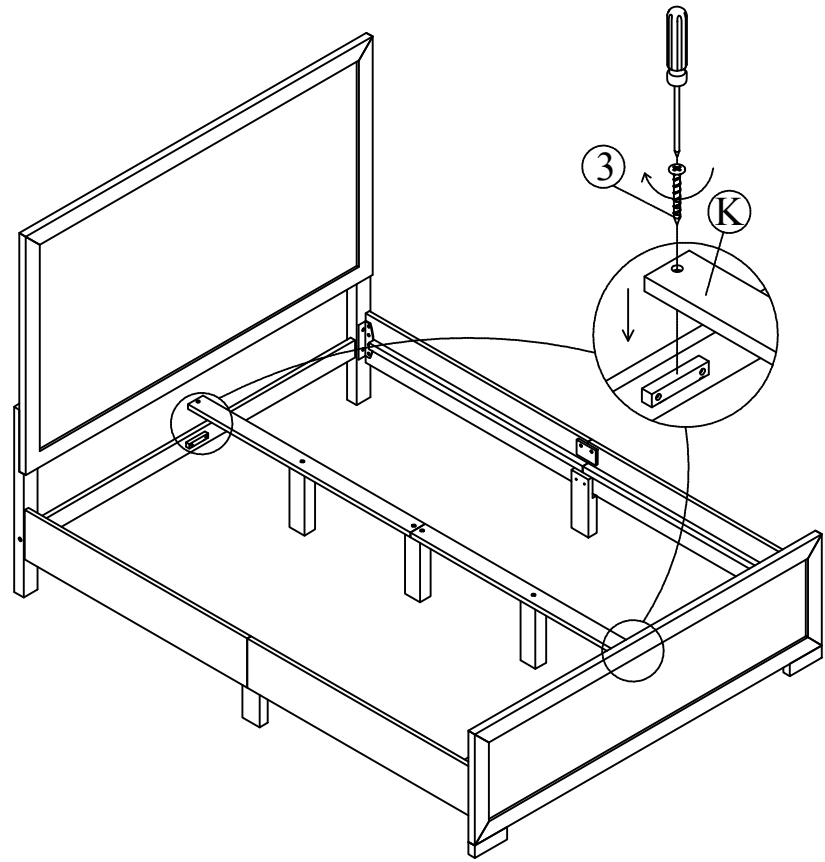
| No | Description | Qty |
|----|--|------|
| 1 |  Allen Key | 1pc |
| 2 |  Ø1/4" x 15mm | 8pcs |
| 5 |  Ø10 x 40mm | 8pcs |

*Noted: Do not tighten the bolts or screws.

STEP 6



| No | Description | Qty |
|----|--|------|
| 1 |  Allen Key | 1pc |
| 3 |  4 x 30mm | 2pcs |
| 4 |  Ø1/4" x 30mm | 4pcs |



STEP 7

| No | Description | Qty |
|----|--|-------|
| 3 |  4 x 30mm | 24pcs |

*Noted: After assembly is completed please tighten all bolts and screws.

