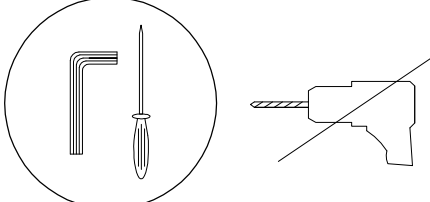

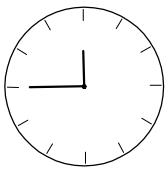
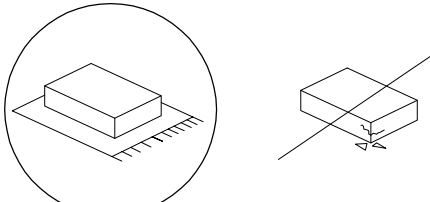

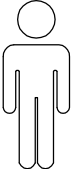

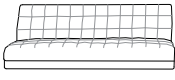


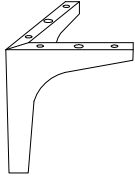
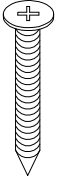
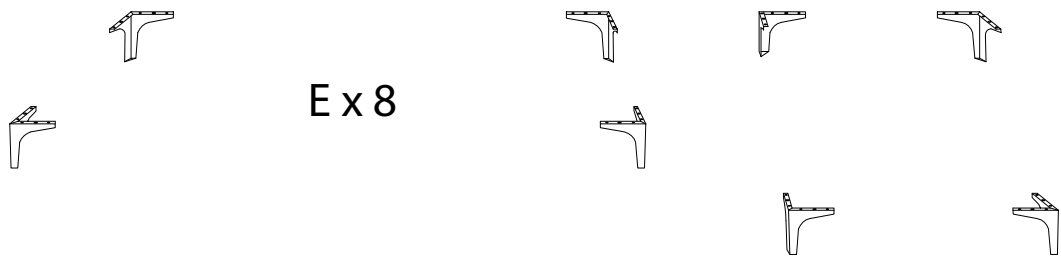
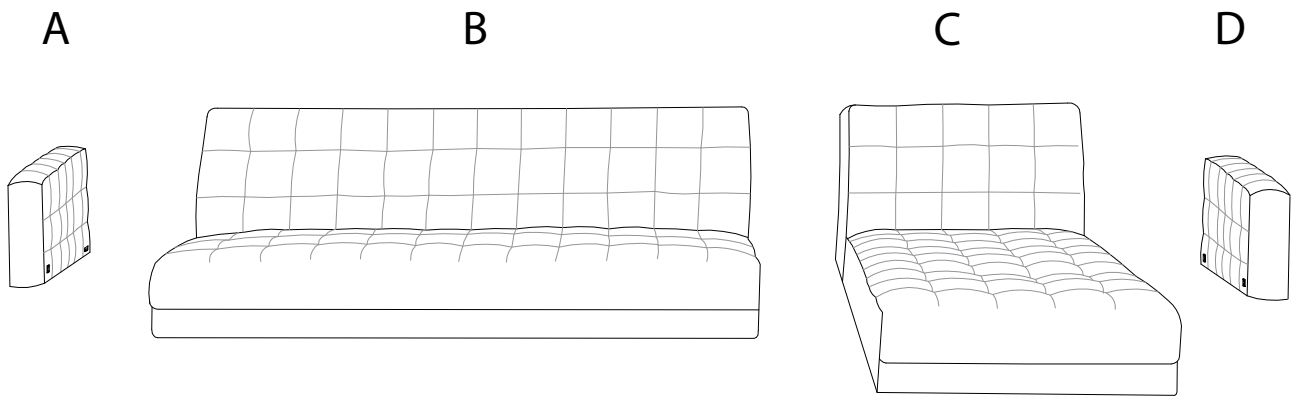



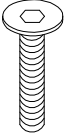

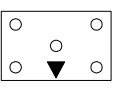
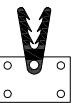
| | | |
|---|---|---|
|  |  |  |
|  |  |  |

45'

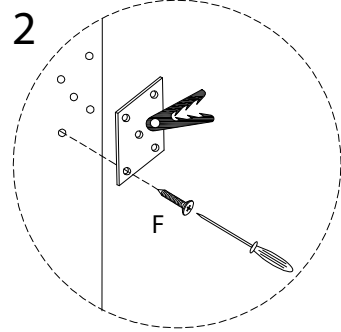
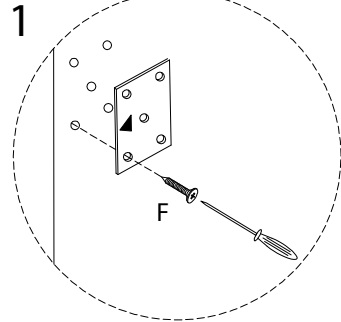
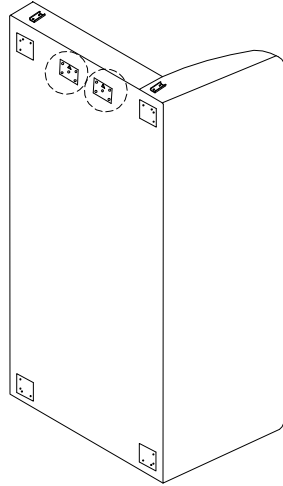
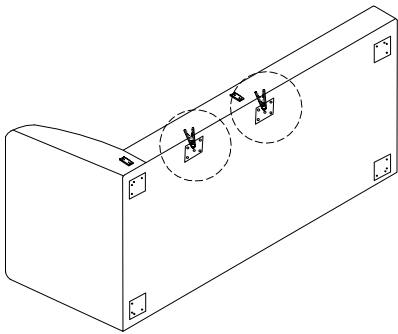
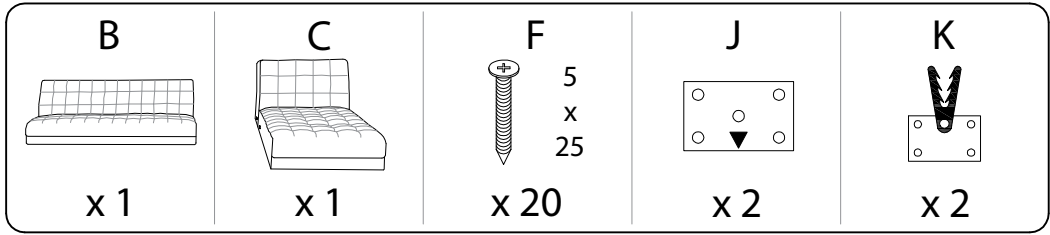
2

| | | | | | |
|---|---|---|---|---|---|
| A | B | C | D | E | F |
|  |  |  |  |  |  |
| x 1 | x 1 | x 1 | x 1 | x 8 | 5 x 25 x 52 |

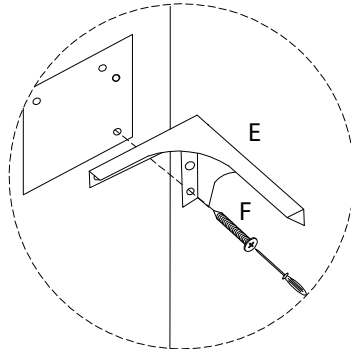
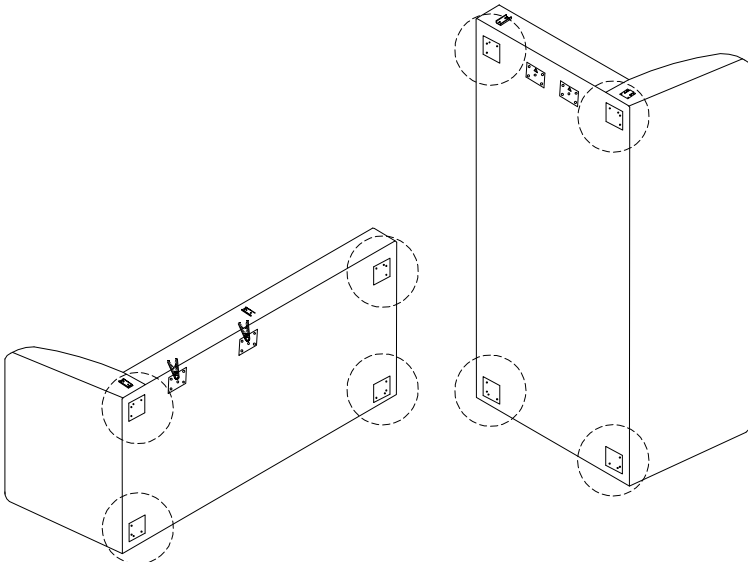
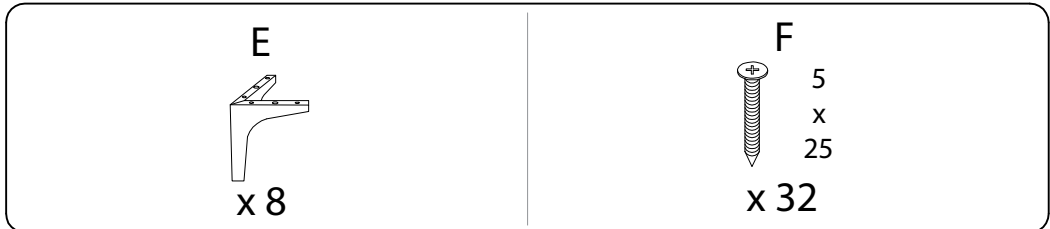


| | | | | |
|---|---|---|--|---|
| G | H | I | J | K |
|  |  |  |  |  |
| x 4 | M6 x 30 x 8 | x 1 | x 2 | x 2 |


1





3

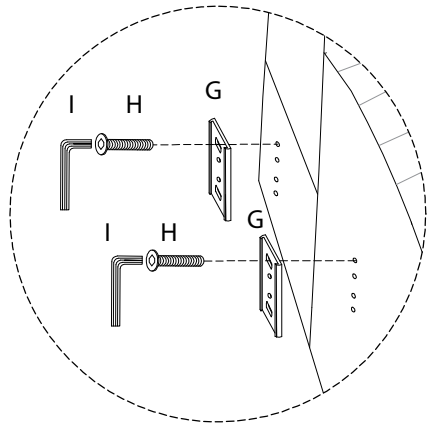
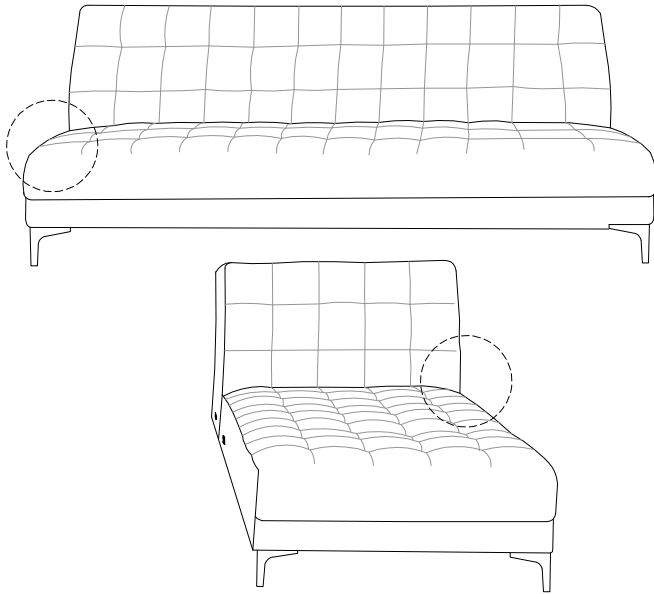


2

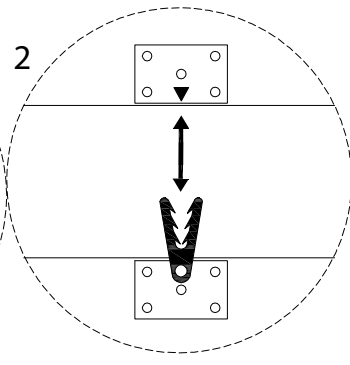
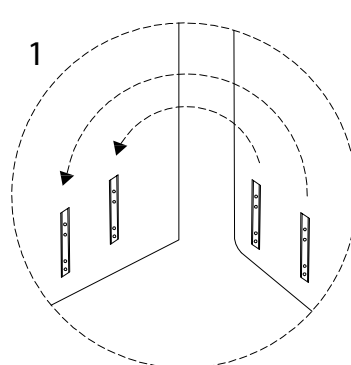
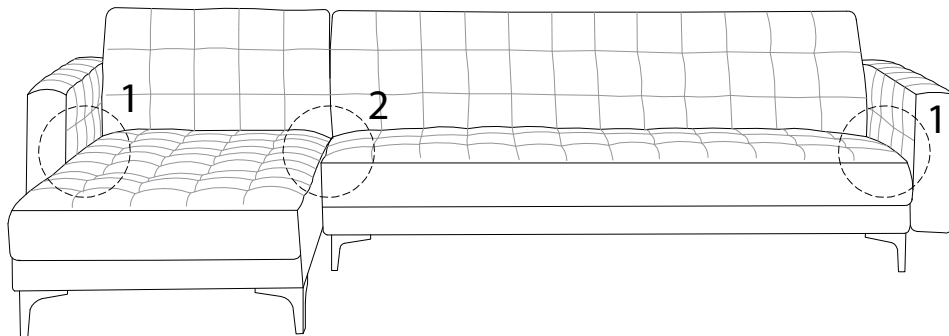
G

x 4

H
 M6
x 30
x 8

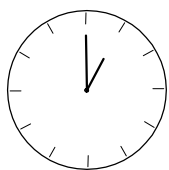
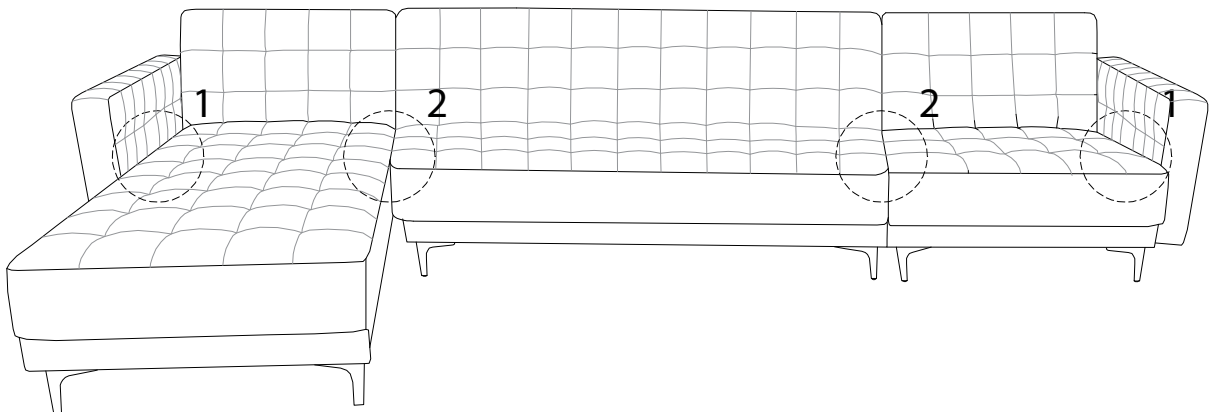
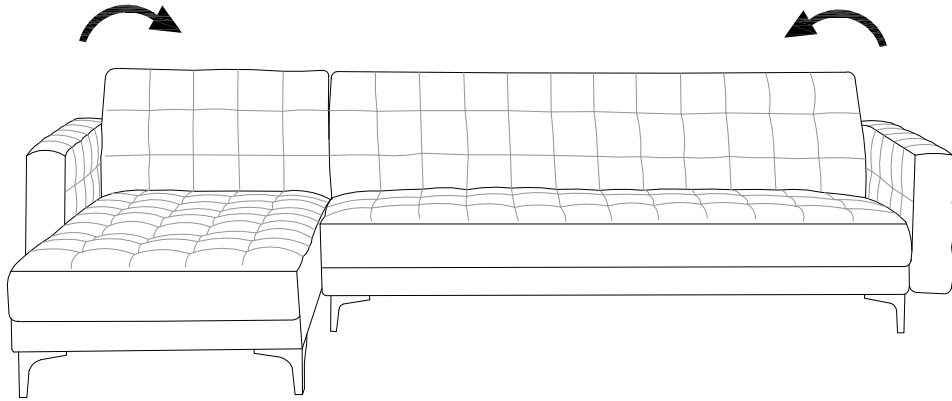
I

x 1



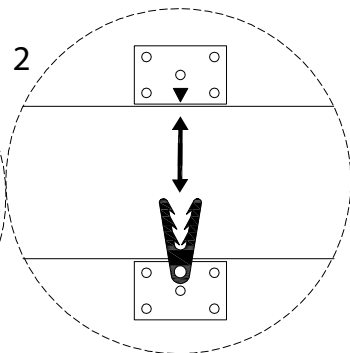
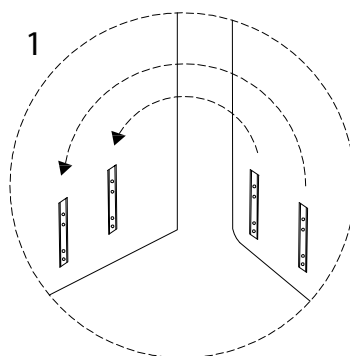
4

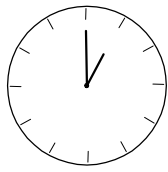
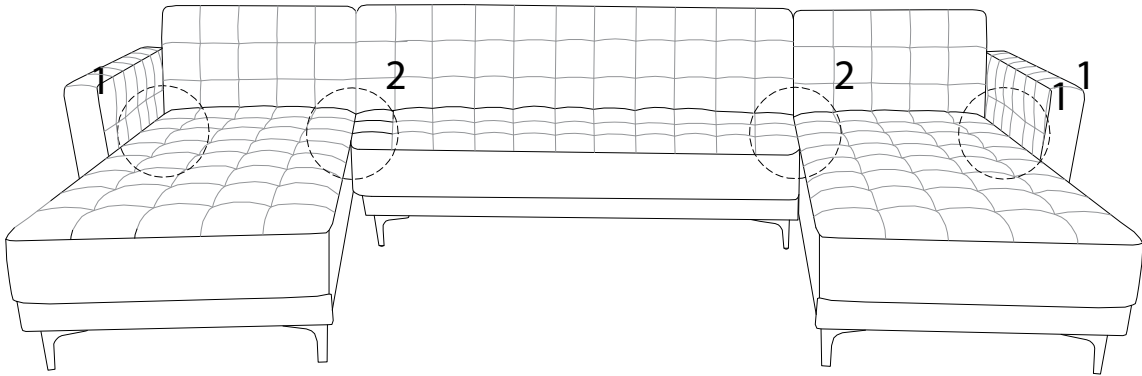


!

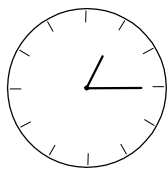
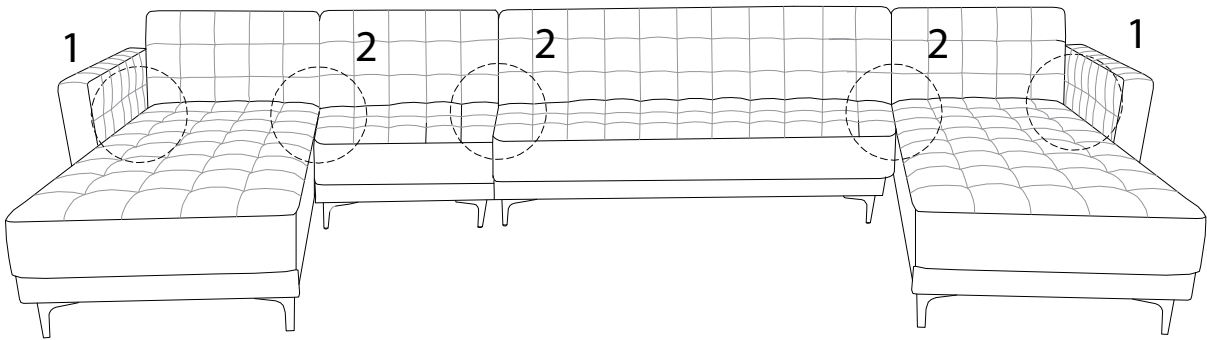
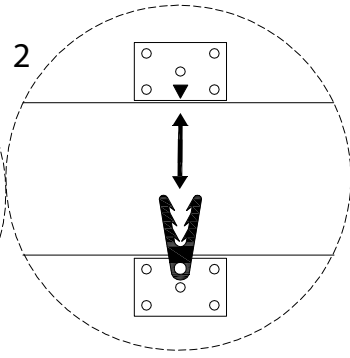
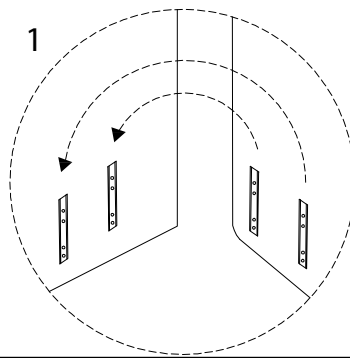


60'





60'



75'

