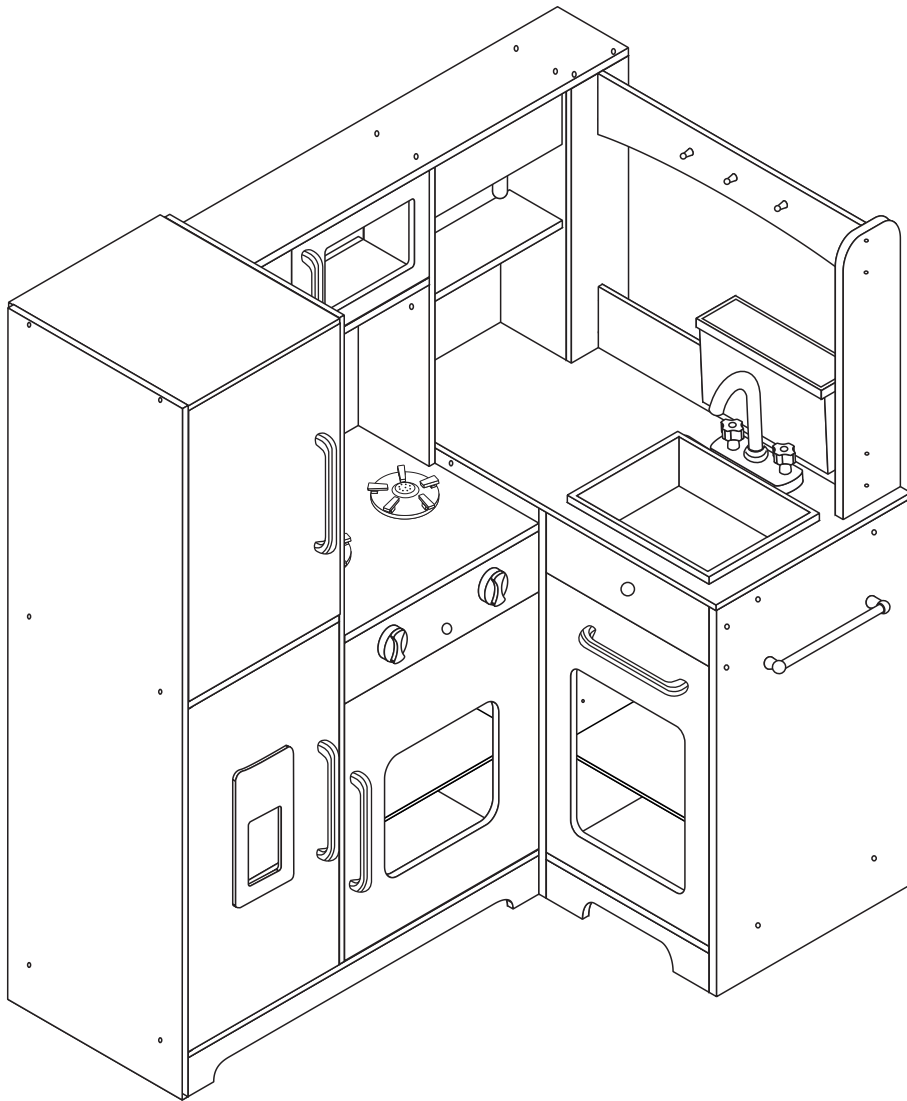




TLOHFE



**INSTRUCTION
MANUAL**



HELP CENTER

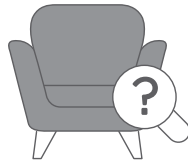


Question about your product? We're here to help. Contact us at:

taohfe@gmail.com



Chat Support



Product Inquiry



Orders FAQ

Q: What should I do if I have a problem with my purchased item?

A: Step 1: Go to the product page

Step 2: Click the [Sold by **TAOHFE**]

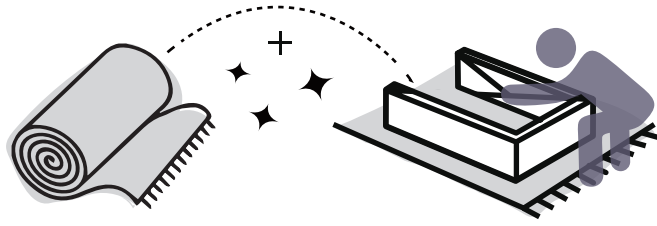
Step 3: Click the **Ask the question**

Step 4: Describe your problem and we will offer the best solution to you within 24hrs

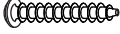







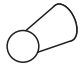
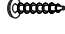
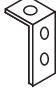


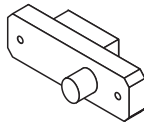

TOOLS REQUIRED



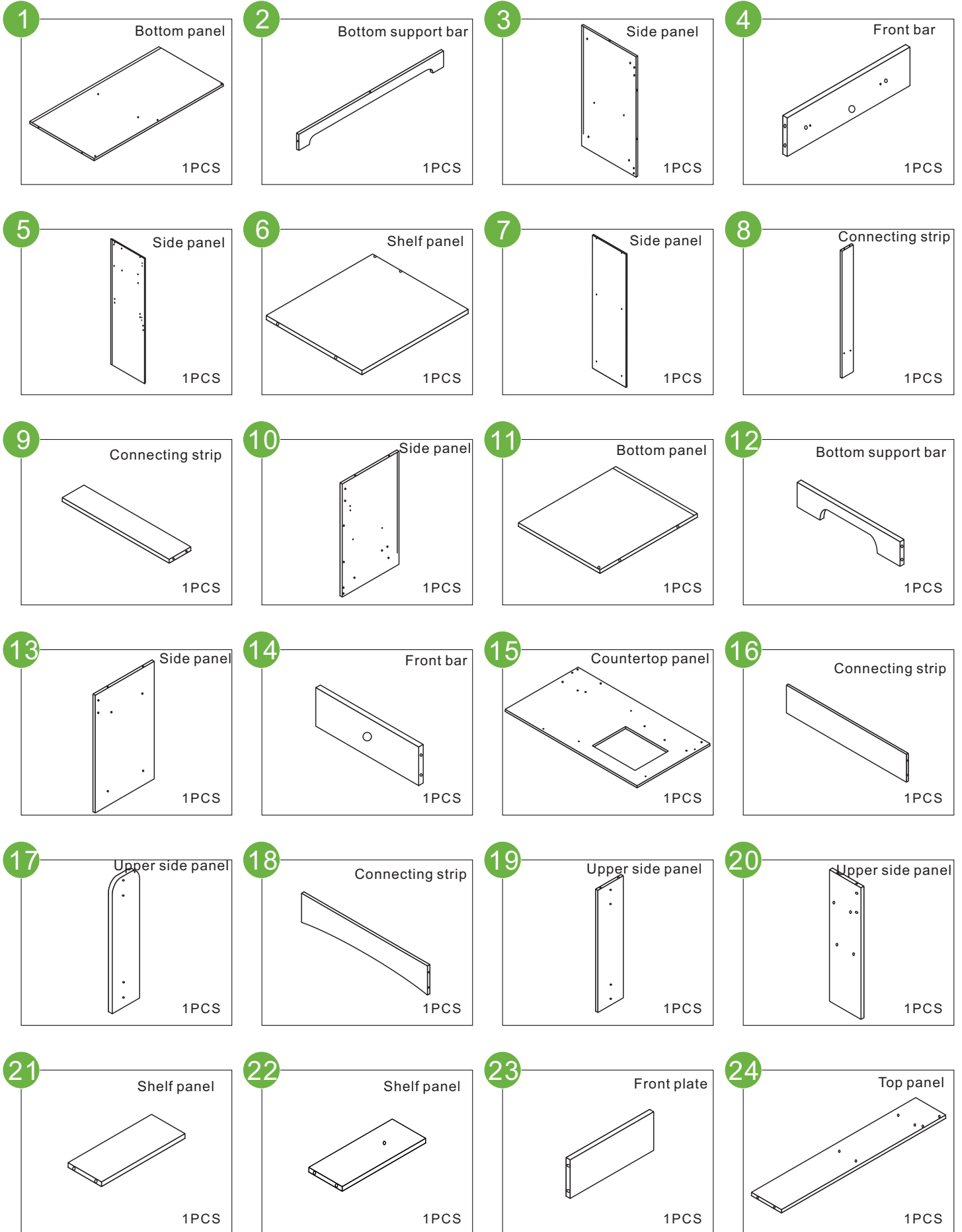
**PHILLIPS
SCREWDRIVER**



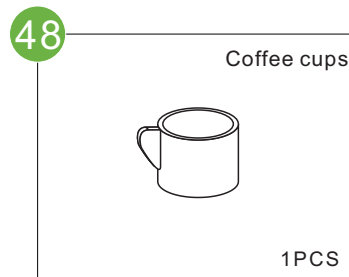
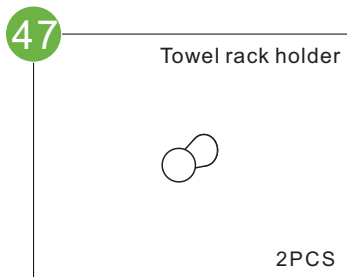
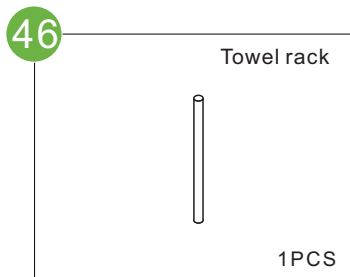
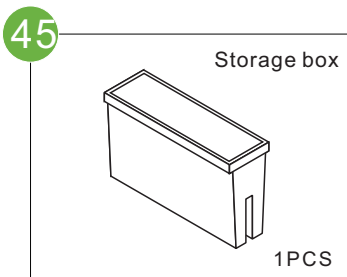
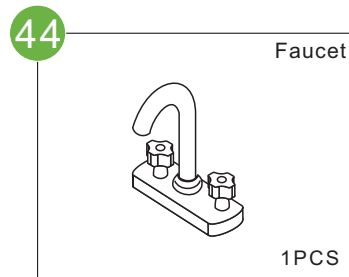
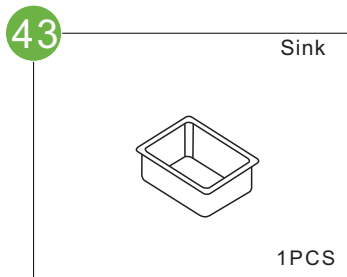
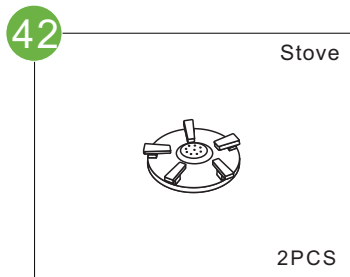
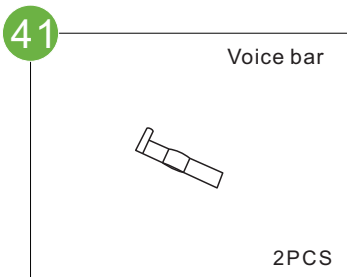
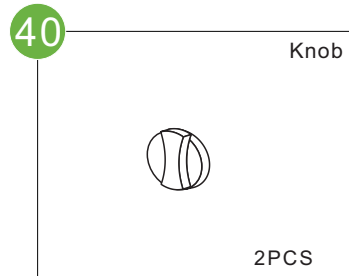
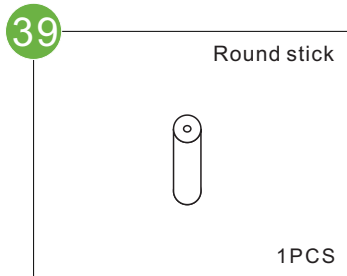
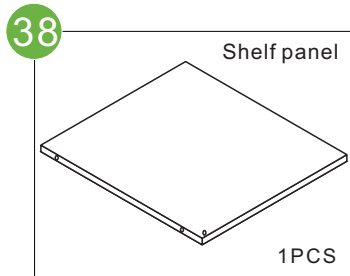
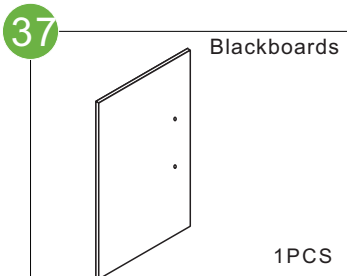
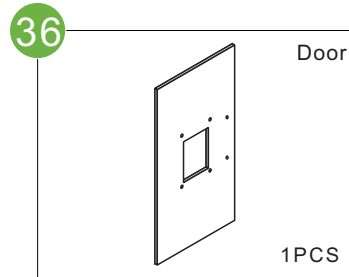
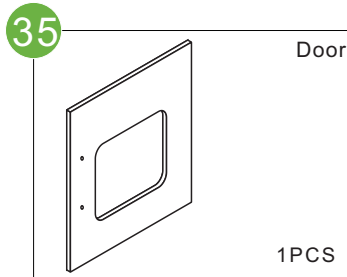
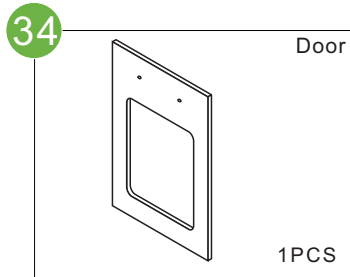
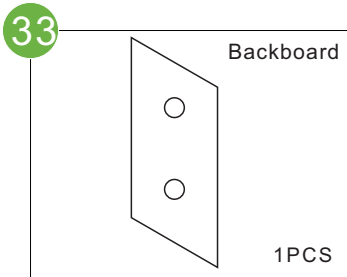
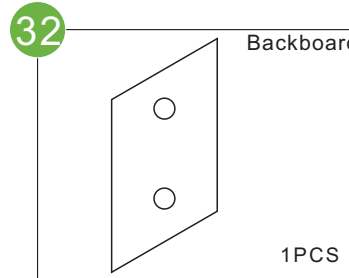
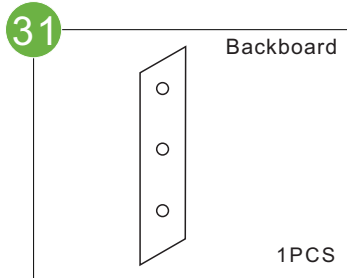
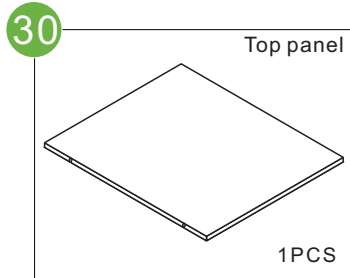
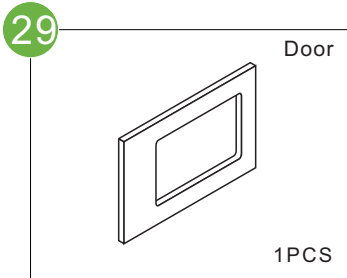
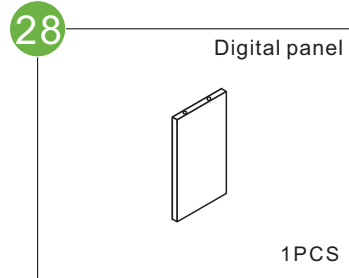
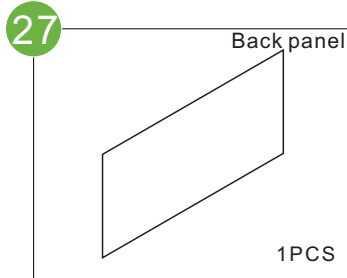
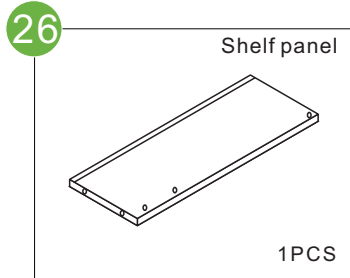
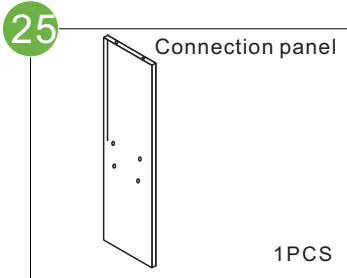
HARDWARE

A Screw  M4X30mm 76PCS	B Wooden dowel  Ø5x25mm 18PCS	C Screw  M4X8mm 4PCS	D Screw  M4X18mm 23PCS
E Screw  M3x9mm 59PCS	F Door insert  5PCS	G Door catch  5PCS	H Screw  M3X16mm 3PCS
I Hook  3PCS	J Screw  M3X14mm 6PCS	K L-type angle code  2PCS	L Partition bracket  8PCS
N Door axle  10PCS	M Power button  2PCS	O Screw  M4X16mm 2PCS	

PARTS



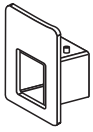
PARTS



PARTS

49

Water dispenser



1PCS

50

Above the ice machine



1PCS

51

Handle



4PCS

52

Handle



1PCS

53

Cup



1PCS

54

Ice cube



2PCS

55

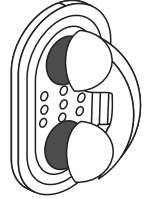
Coaster



1PCS

56

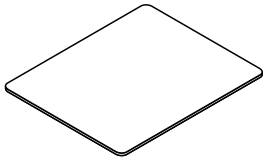
Phone base



1PCS

57

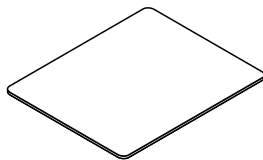
Shelf panel



1PCS

58

Shelf panel



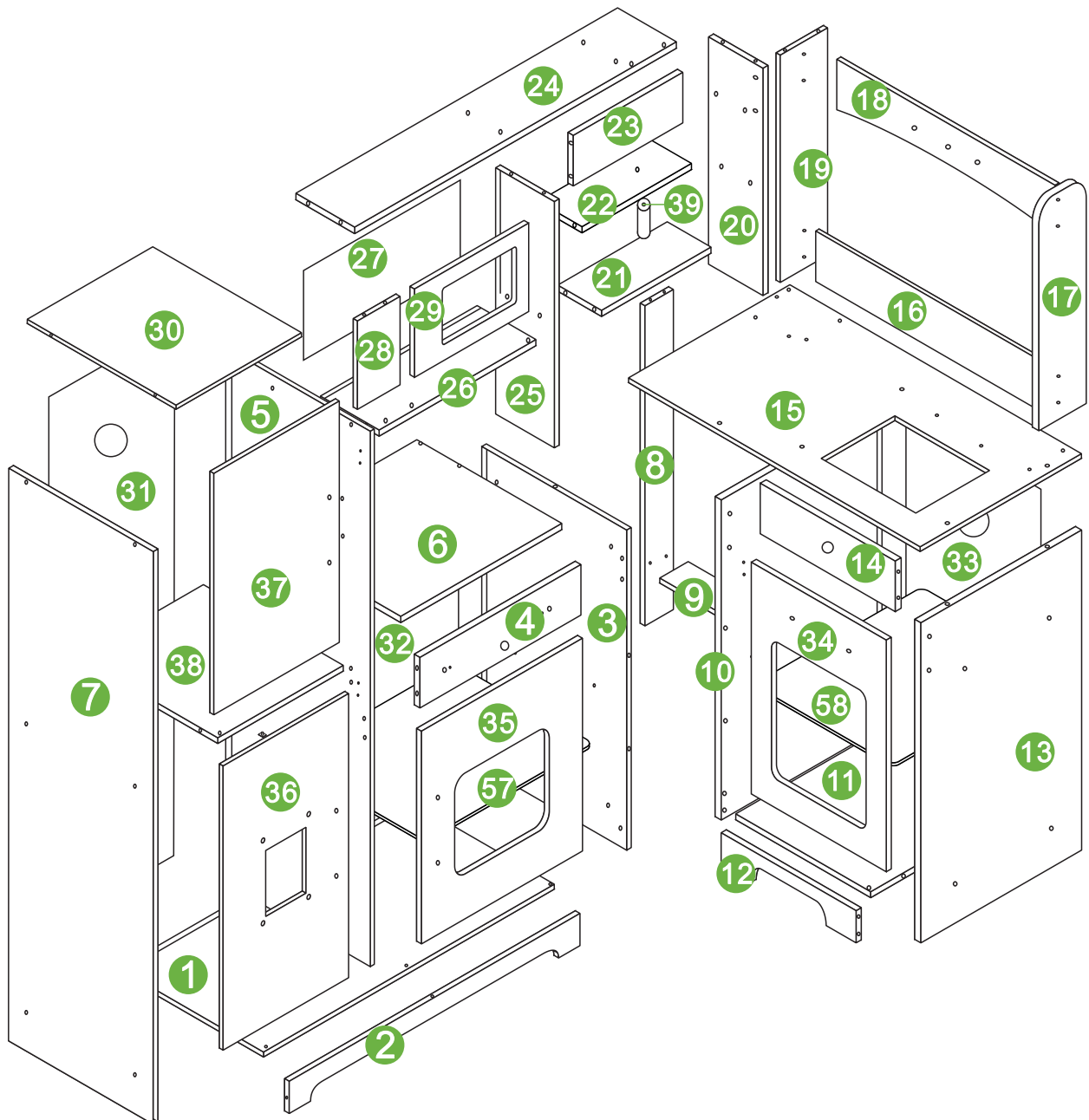
1PCS

! NOTICE

Please retain these instructions for future reference.

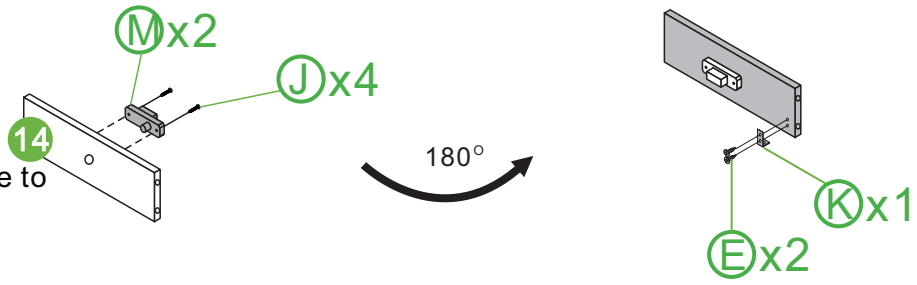
- Make sure that all screws are tightened. Check these regularly. Do not overtighten the screws!
- Do not use or store this item in the proximity of open flame or flammable/combustible chemicals.
- If any parts are missing, broken, damaged, or worn, stop using this item until repairs are made and/or factory replacement parts are installed.
- When cleaning do not use any abrasive or caustic agents or hard brushes etc.
- Clean the surfaces with a damp, lint-free cloth and wipe with a dry cloth.
- Carefully remove all packing material and discard it sorted. Make sure that you do not accidentally throw away mounting material.
- Any question or problem, please contact us freely!

PRODUCT ASSEMBLY

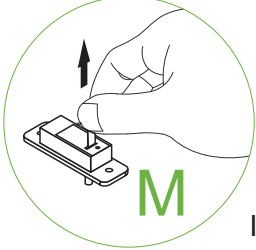


1

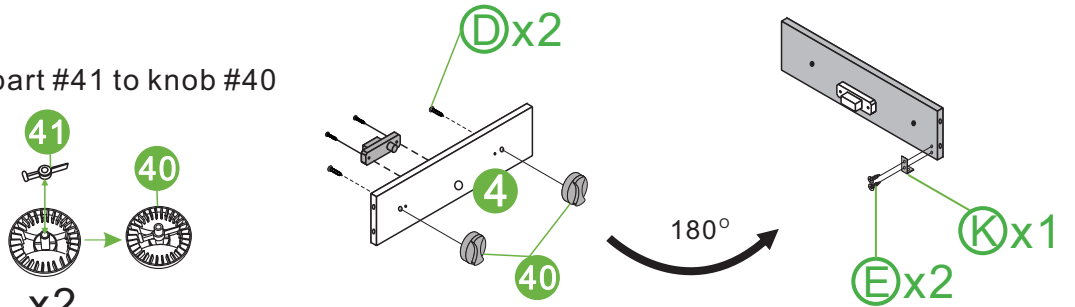
Attach part M to panel #14 with screws J
 Secure the L-shaped bracket K to the opposite side of the #14 panel using screw E.



Remove the plastic piece to make a sound.



Installing part #41 to knob #40



Attach knob #40 to #4 panel and secure with screws D
 Attach part M to panel #4 with screws J
 Secure the L-shaped bracket K to the opposite side of the #4 panel using screw E.

Jx4

Mx2

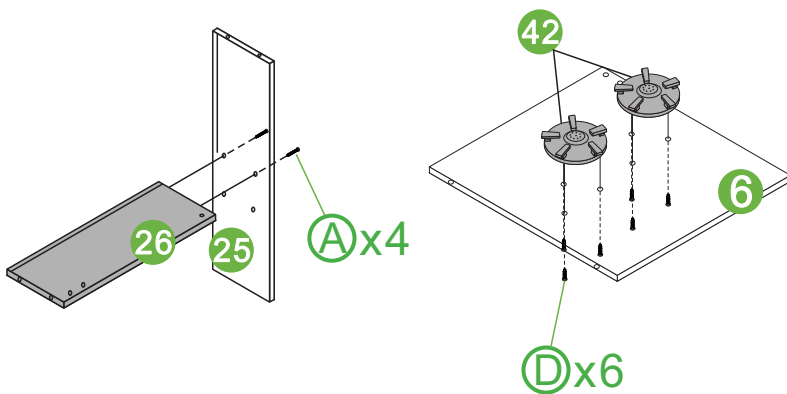
Dx2

Ex4

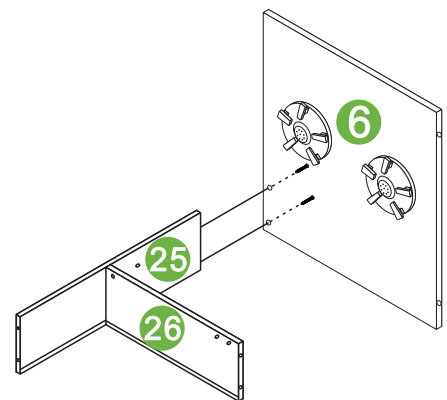
Kx2

2

Connect screw A to #25 and #26



Connect screw A to #25 and #6



Attach #42 stove to #6 Laminate and secure with screws D

Ax4

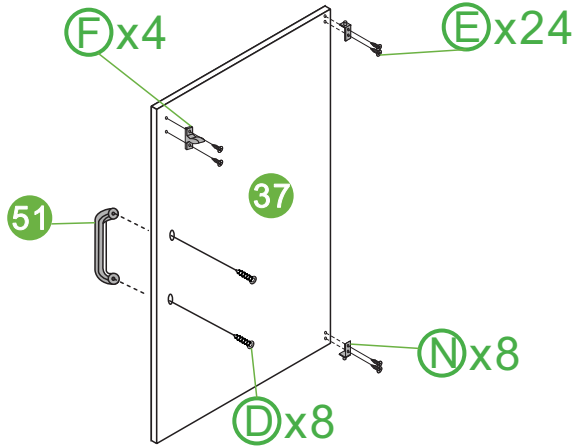
Dx6

3

Install door insert F with two screws E #37 door panel

Secure # 51 handle to #37 door panel with two screws D and set aside.

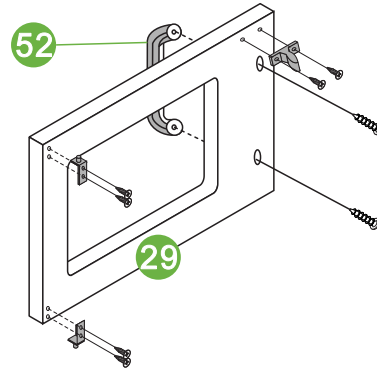
Attach door shaft N to door panel #37 and secure with screw E.



Install door insert F with two screws E #29 door panel

Secure # 52 handle to #29 door panel with two screws D and set aside.

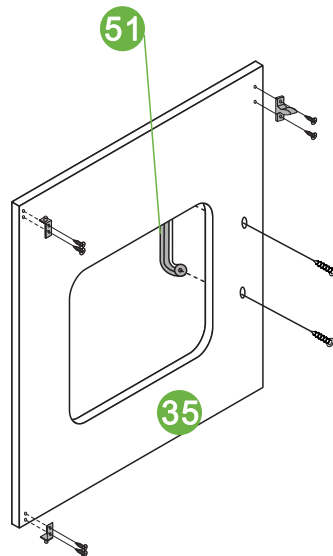
Attach door shaft N to door panel #29 and secure with screw E.



Install door insert F with two screws E #35 door panel

Secure # 51 handle to #35 door panel with two screws D and set aside.

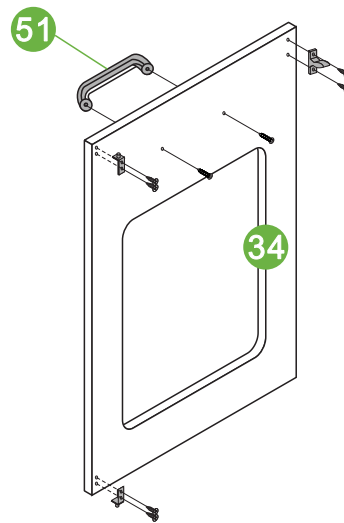
Attach door shaft N to door panel #35 and secure with screw E.



Install door insert F with two screws E #34 door panel

Secure # 51 handle to #34 door panel with two screws D and set aside.

Attach door shaft N to door panel #34 and secure with screw E.



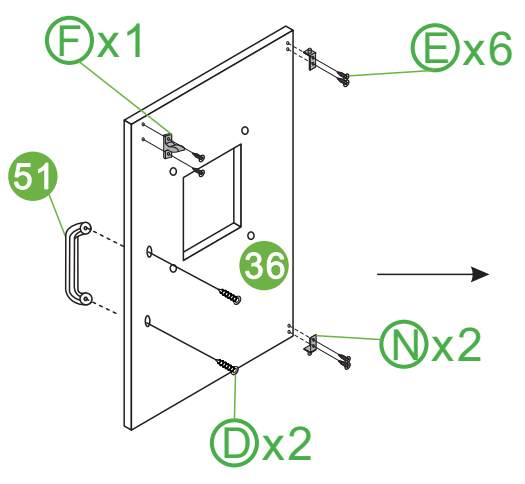
 Fx4

 Dx8

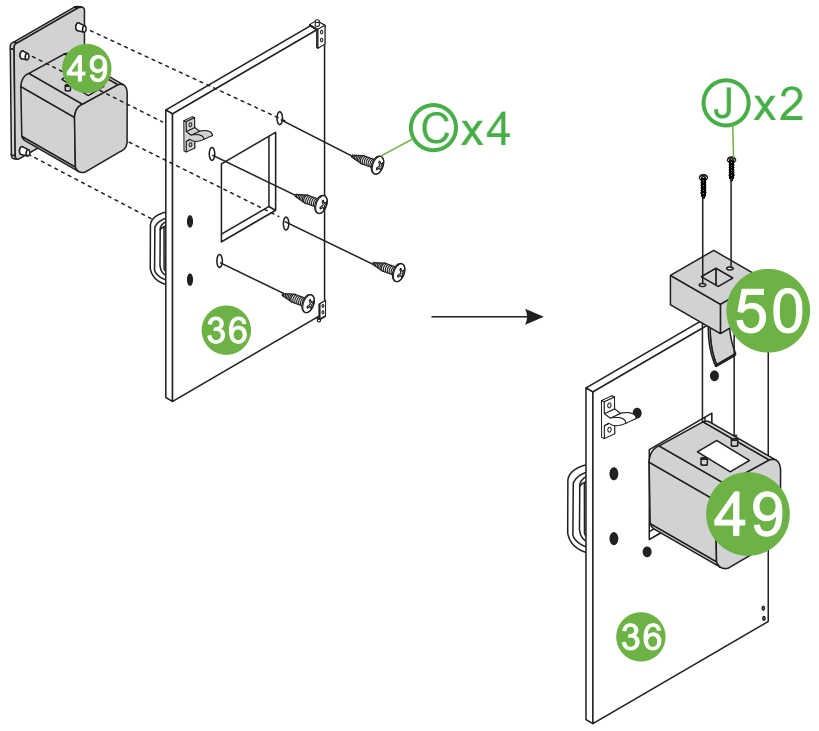
 Ex24

 Nx8

4



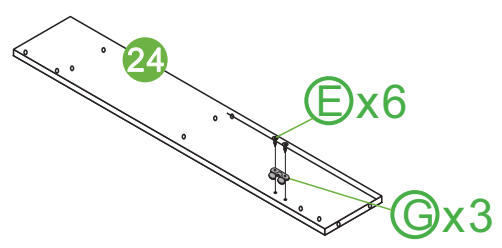
Install door insert F with two screws E #36 door panel
 Secure # 51 handle to #36 door panel with two screws D and set aside.
 Attach door shaft N to door panel #36 and secure with screw E.



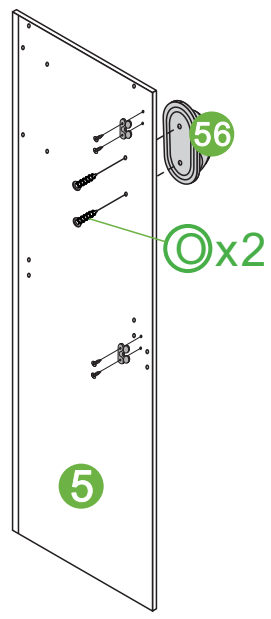
	Fx1
	Jx2
	Cx4
	Dx2
	Ex6
	Nx2

5

Attach two door catch G to panel #24 with four screw E
 Attach #56 telephone to #5 panel and secure with screws O

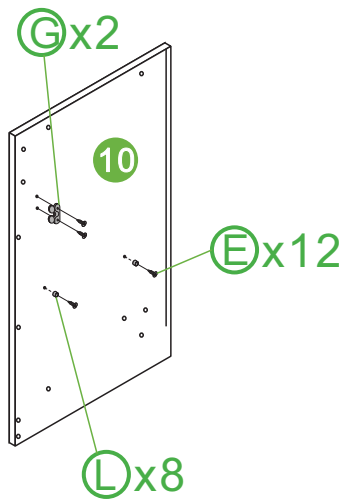


Attach door catch G to panel #24 with two screw E



	Ox2
	Gx3
	Ex6

Attach door catch G to panel #10 with two screw E
Install part L on panel #10 and secure with screw E.



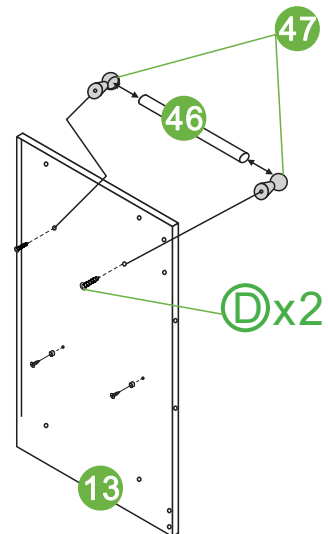
Install part L on panel #3 and secure with screw E.



Attach door catch G to panel #5 with two screw E
Install part L on panel #5 and secure with screw E.



First attach the #47 bracket to the #46 baguette
then install the #13 panel and secure it with screw D.



Install part L on panel #13 and secure with screw E.



Dx2



Gx2



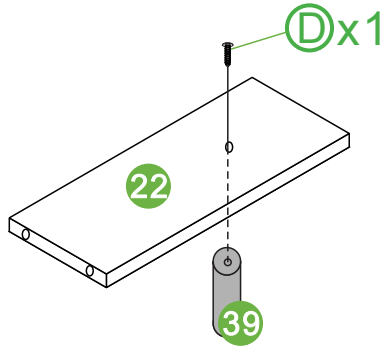
Lx8



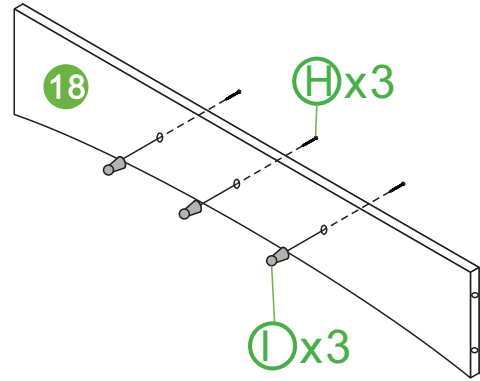
Ex12

7

Attach part #39 to panel #22 and secure with screws D



Attach three hook L to the panel #18 with three screw H , one screw per hook.



Lx3

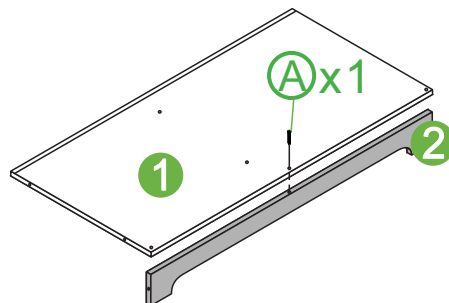


Hx3

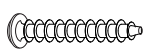


Dx1

8



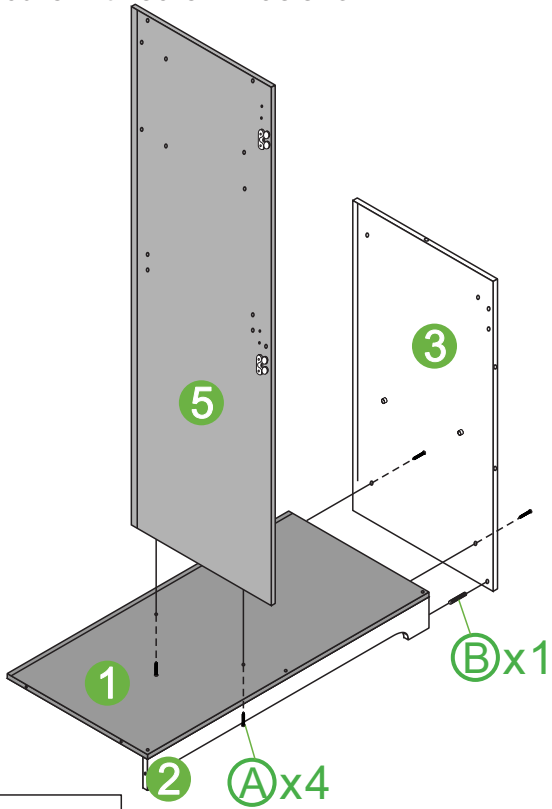
Attach #2 base strip to #1 base plate and secure with screws A.



Ax1

9

First insert dowel B into panel #3 then attach panel #5 #3 to frame #1 and secure with screw A as shown

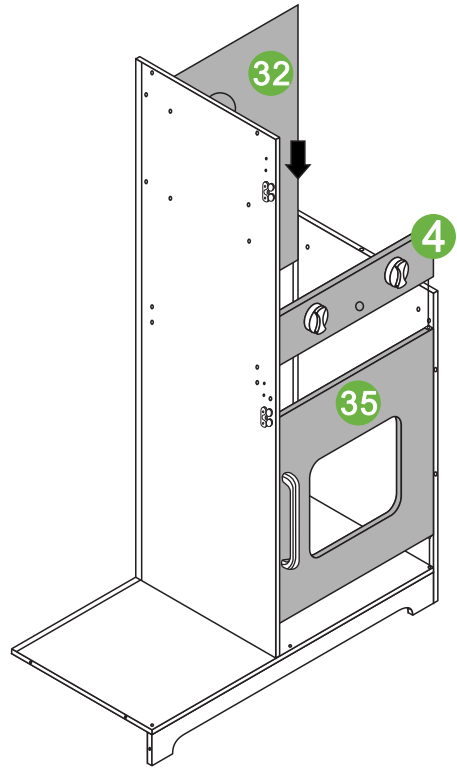


 Bx1

 Ax4

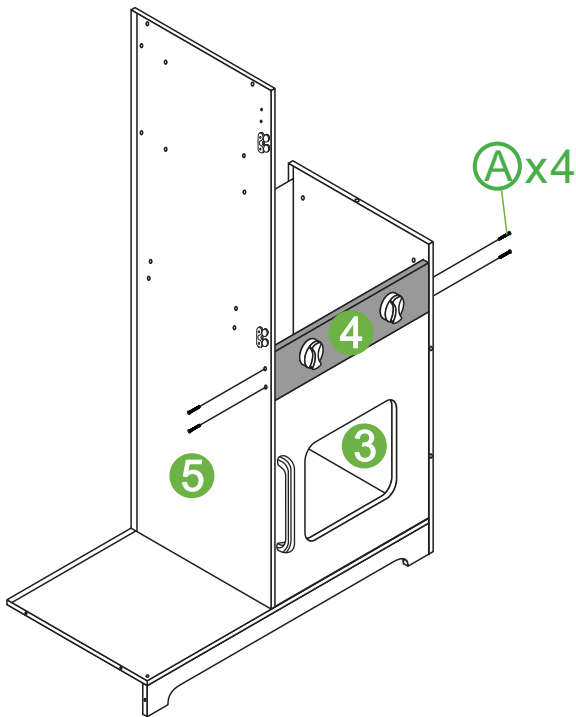
10

Install panels #35#4#32 in sequence as shown in the diagram, make sure the faceplate fits perfectly into the slot.



11

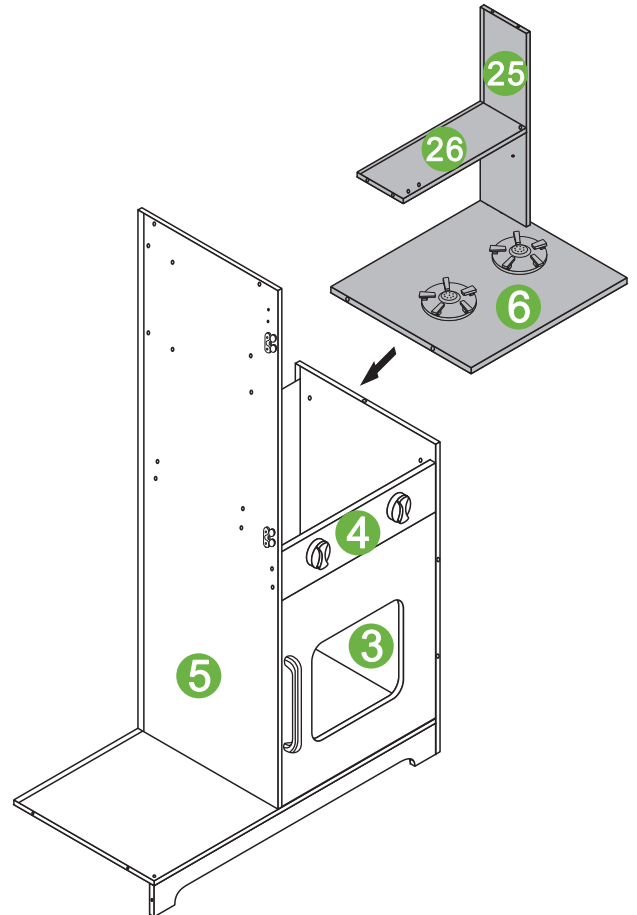
Secure with screw A as shown



 Ax4

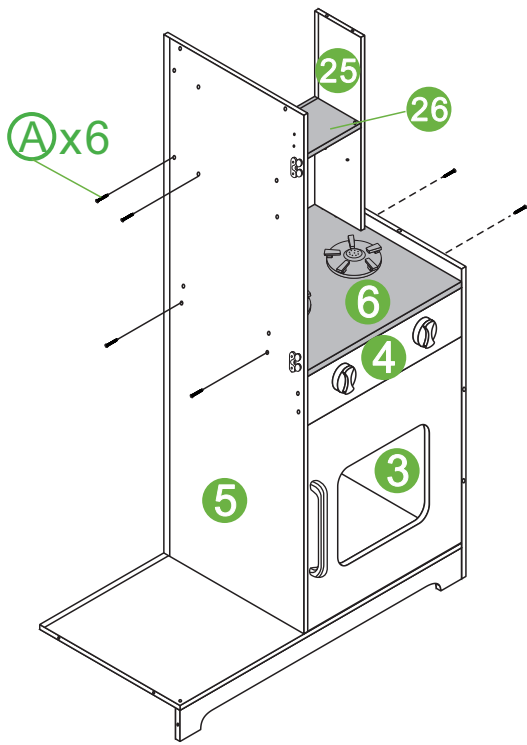
12


Connect # 6 to the main body



13

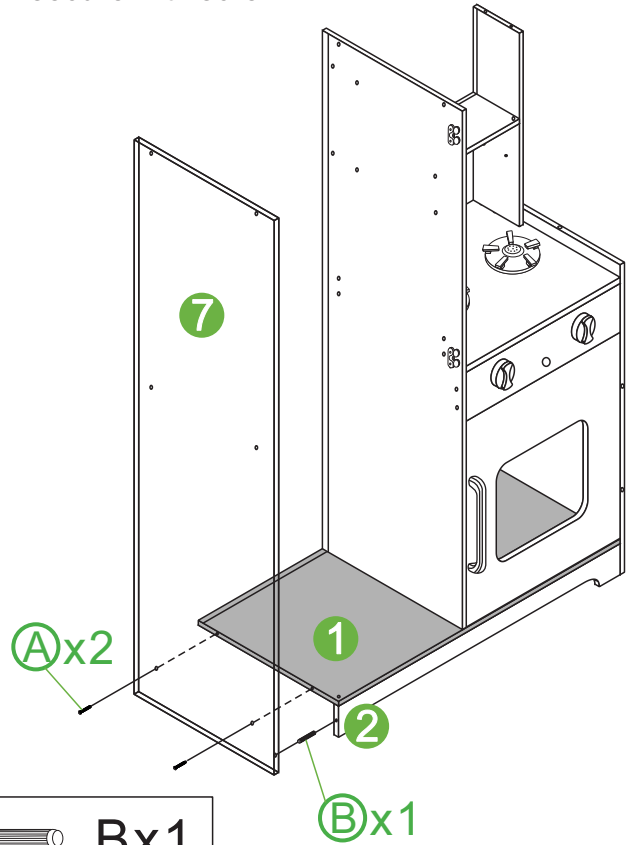
Fix with 6 screws A



 Ax6

14

First insert dowel B into the #7 panel, then secure the #7 panel to the #1 frame and secure with screw A.

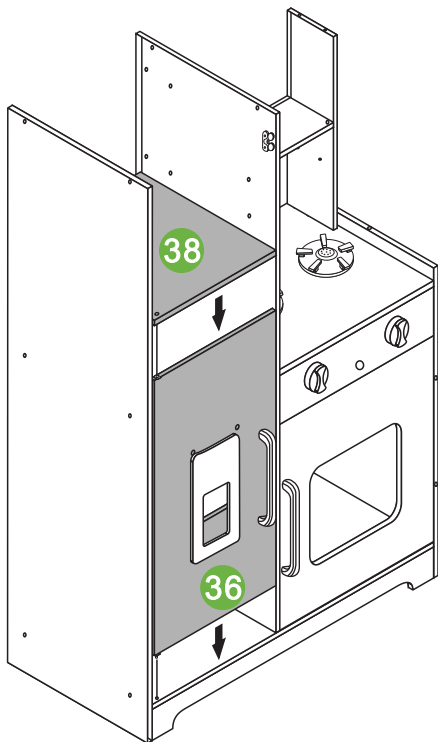


 Bx1

 Ax2

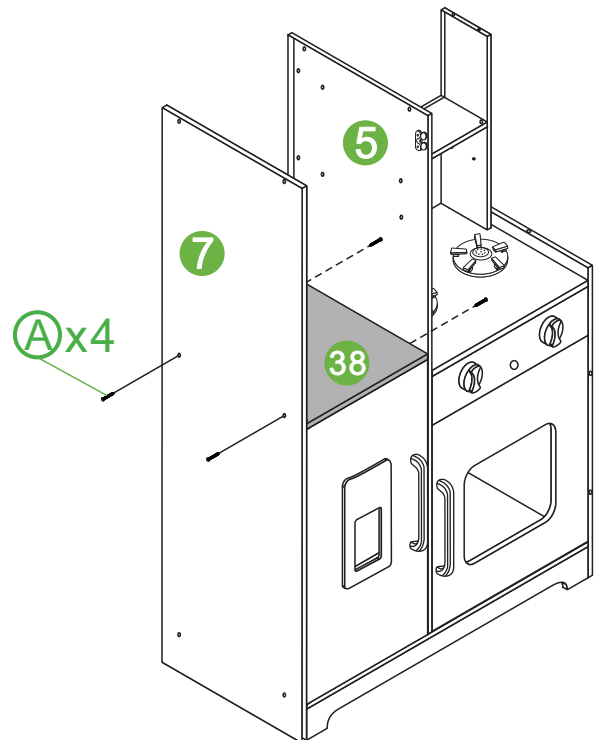
15

Install #36 door panel first before installing #38 ply. as shown



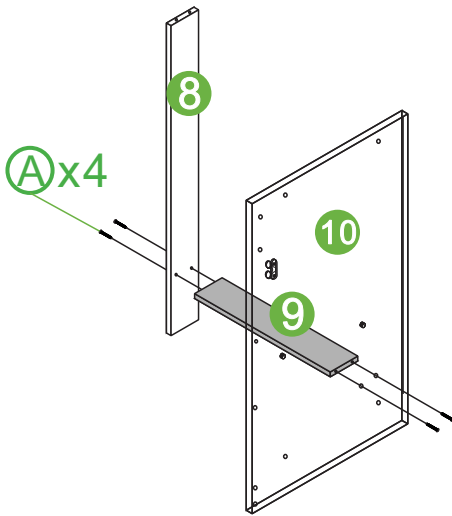
16

Fixed with screw A



 Ax4

17

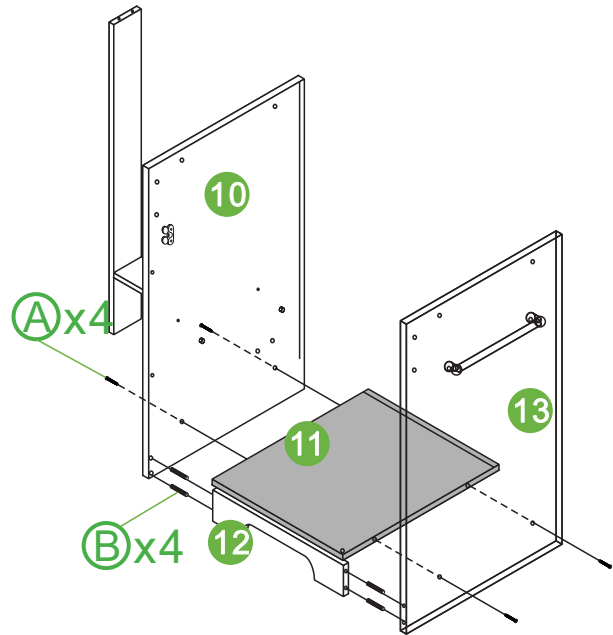


Attach panels #9 to panels #8#10 and secure with screws A

 Ax4

18

Insert dowel B into #12 subfloor and attach #10 #13 panels and secure with screws A.

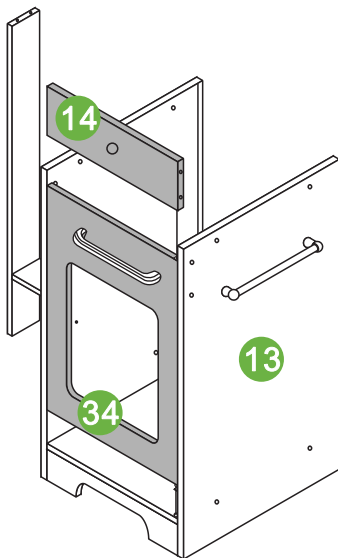


 Bx4

 Ax4

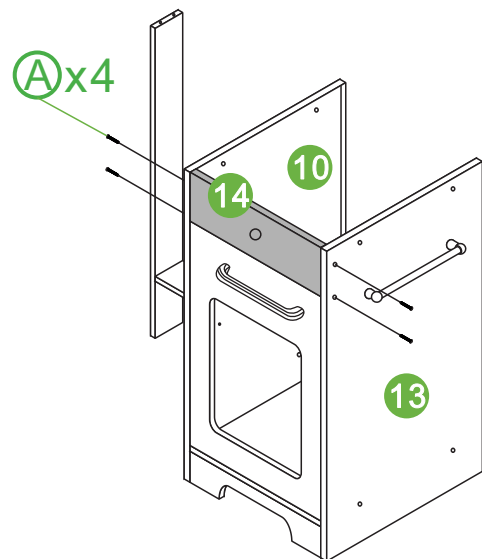
19

Install panels #34#14 in sequence as shown in the diagram, make sure the faceplate fits perfectly into the slot.



20

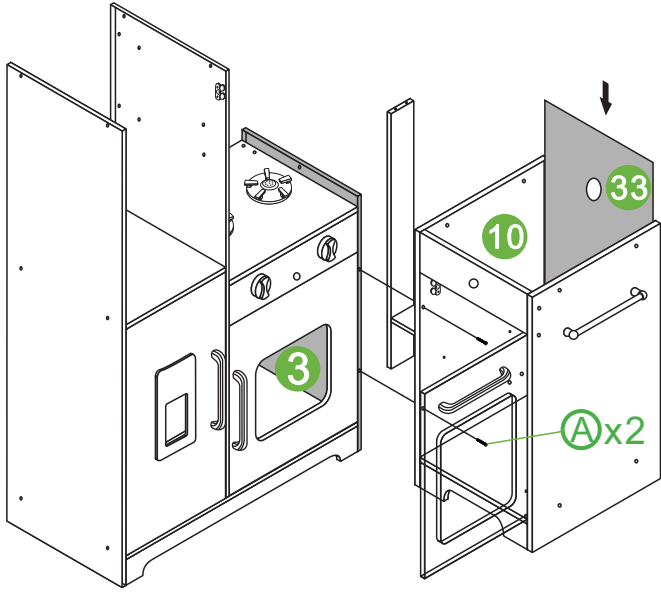
Fixed with screw A



 Ax4

21

Attach previously assembled frame #3 to frame #10 and secure with screws A

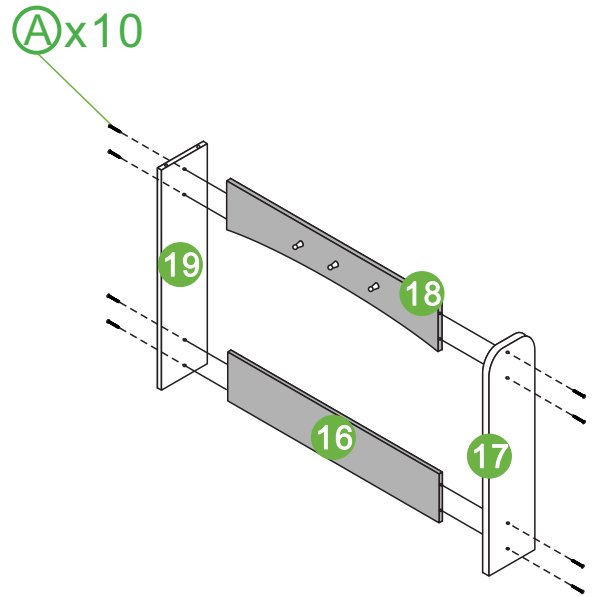


Insert the # 33 backplane into the card slot

 Ax2

22

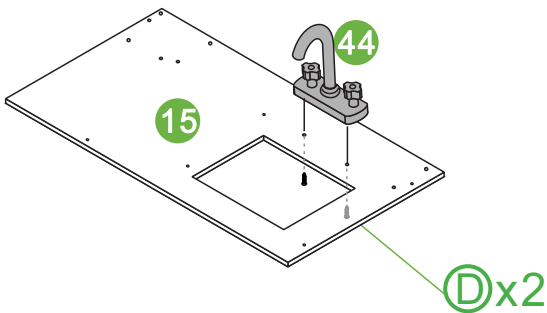
Attach panels #18#16 to panels #19#17 as shown and secure with screw A.



 Ax10

23

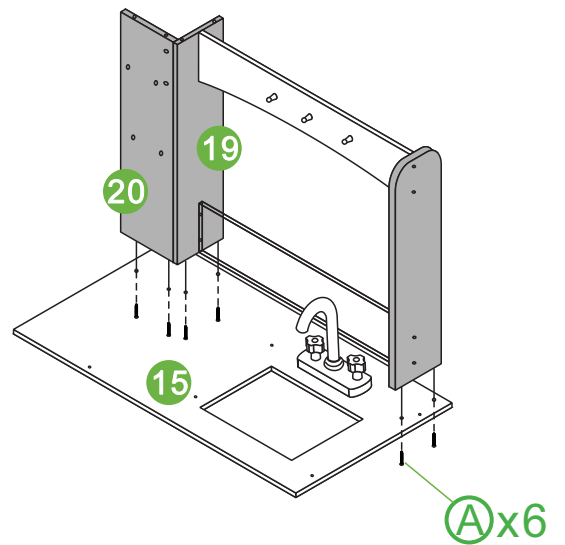
Secure the #44 faucet to the #15 panel using screw D.



 Dx2

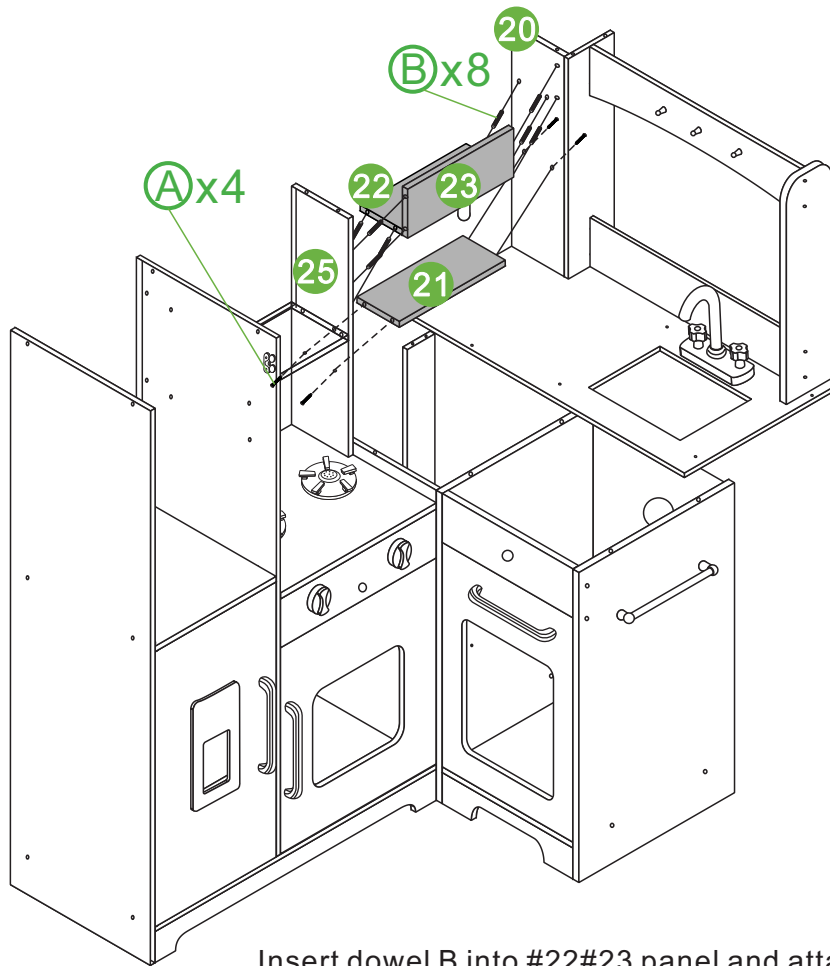
24

Use screw A to connect the frame from step 12 and panel #20 to panel #15.



 Ax6

25

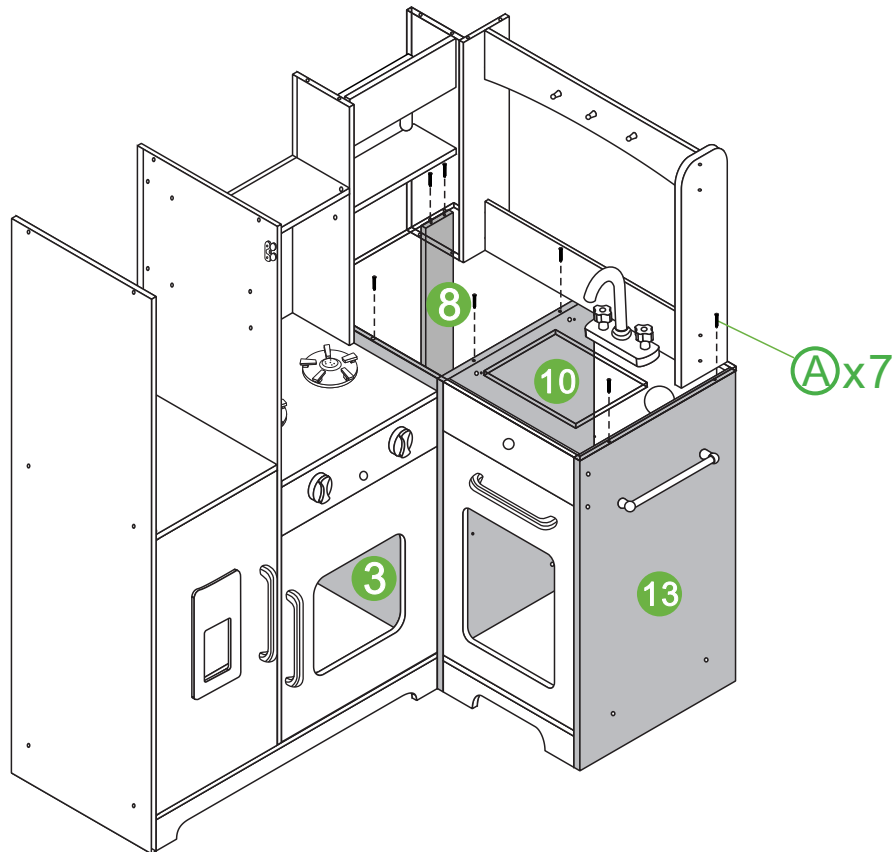


 Bx8

 Ax4

Insert dowel B into #22#23 panel and attach #25#20 frame
Attach #21 panel to #25 #20 frame and secure with screws A

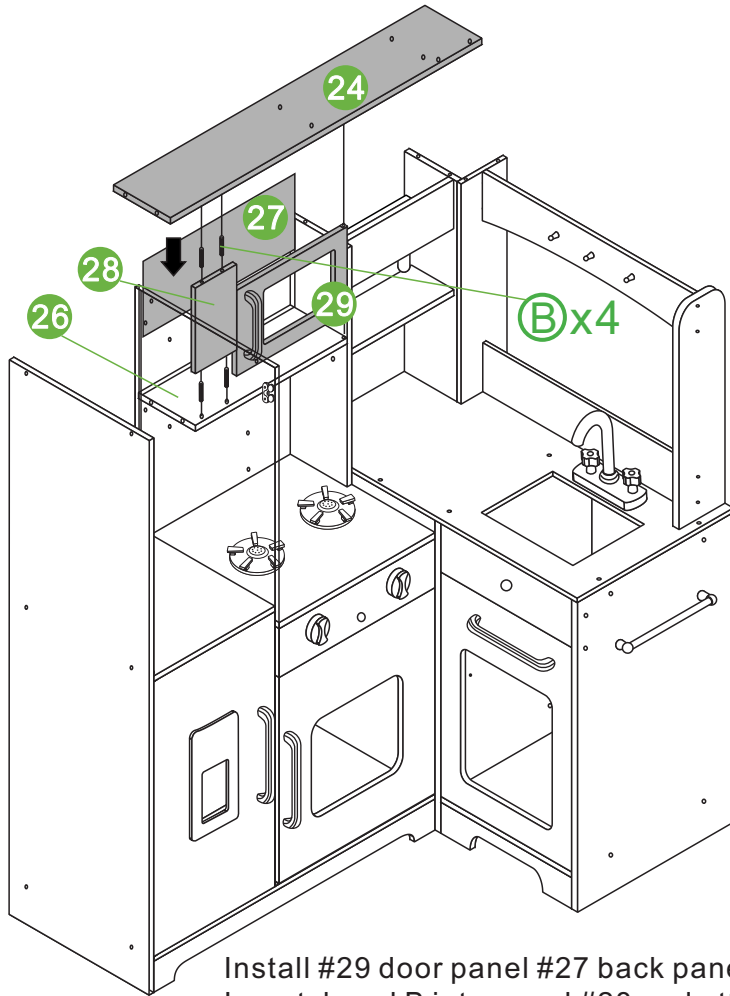
26



 Ax7

Fixed with screw A

27

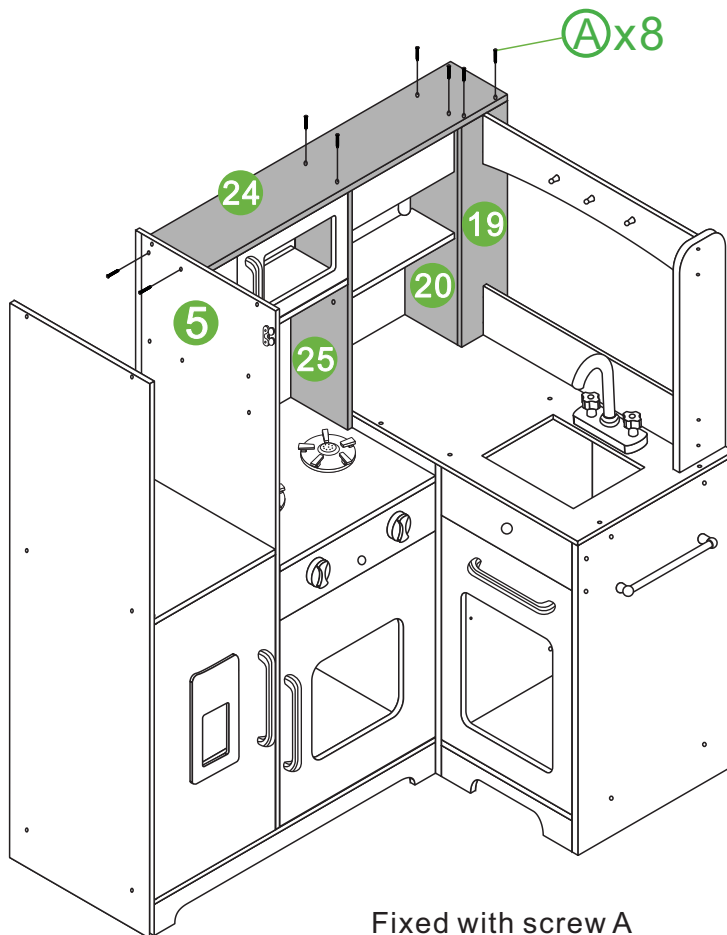


Install #29 door panel #27 back panel along slot location as shown
 Insert dowel B into panel #28 and attach panels #24 #26



Bx4

28



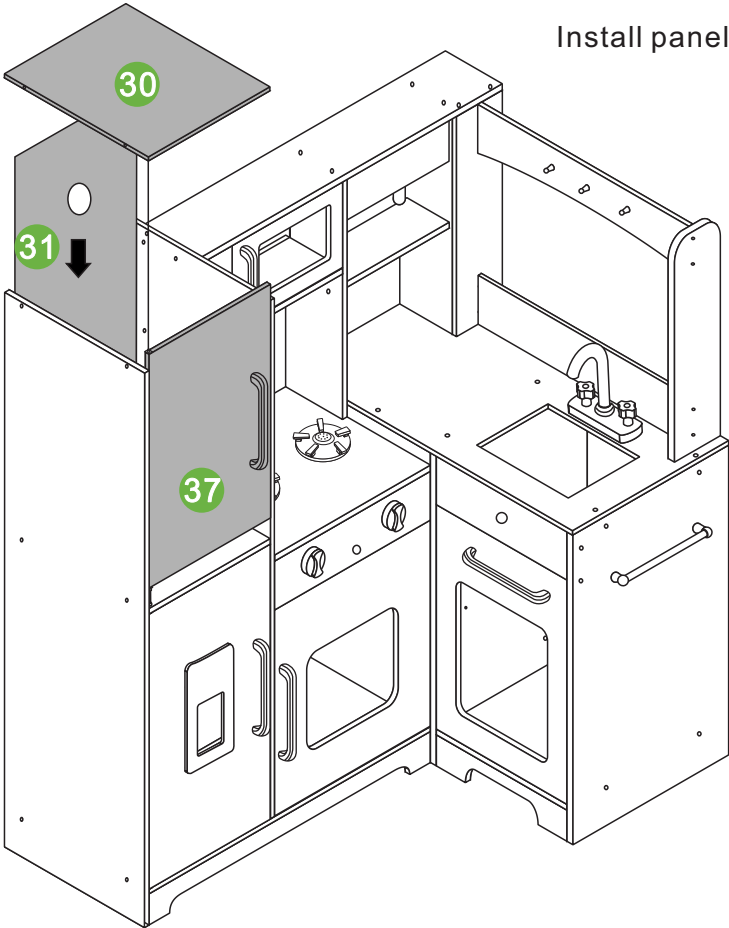
Fixed with screw A



Ax8

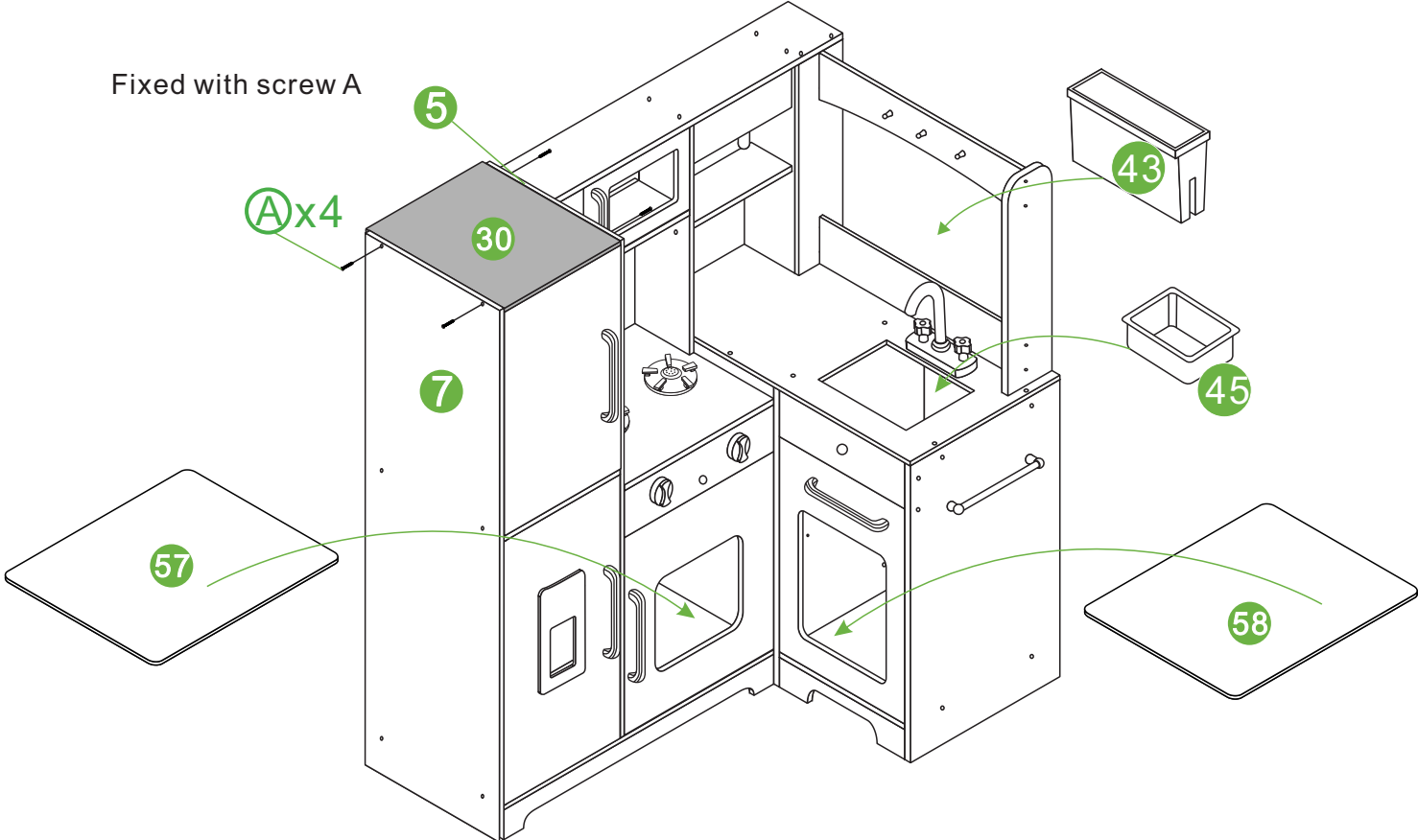
29

Install panel #37#31#30 as shown



30

Fixed with screw A



Ax4

Insert the sink #45 storage box#43 into the countertop.
Place the shelf panel #57#58 as shown

 Ax4



**Thank you for choosing TAOHFE
We feeling the joy of serving you best!**

Have difficulty in assembly?
Package broken or item damaged?
The function doesn't work?
Please feel free to contact our
Support Team via Amazon Message!