



18 inch Towel Bar 553TB-18

Specification Submittal



Model Number

- 553TB-18 18 inch Towel Bar

Feature Highlights

- Metal construction
- Standard finish is polished chrome

Finish Options

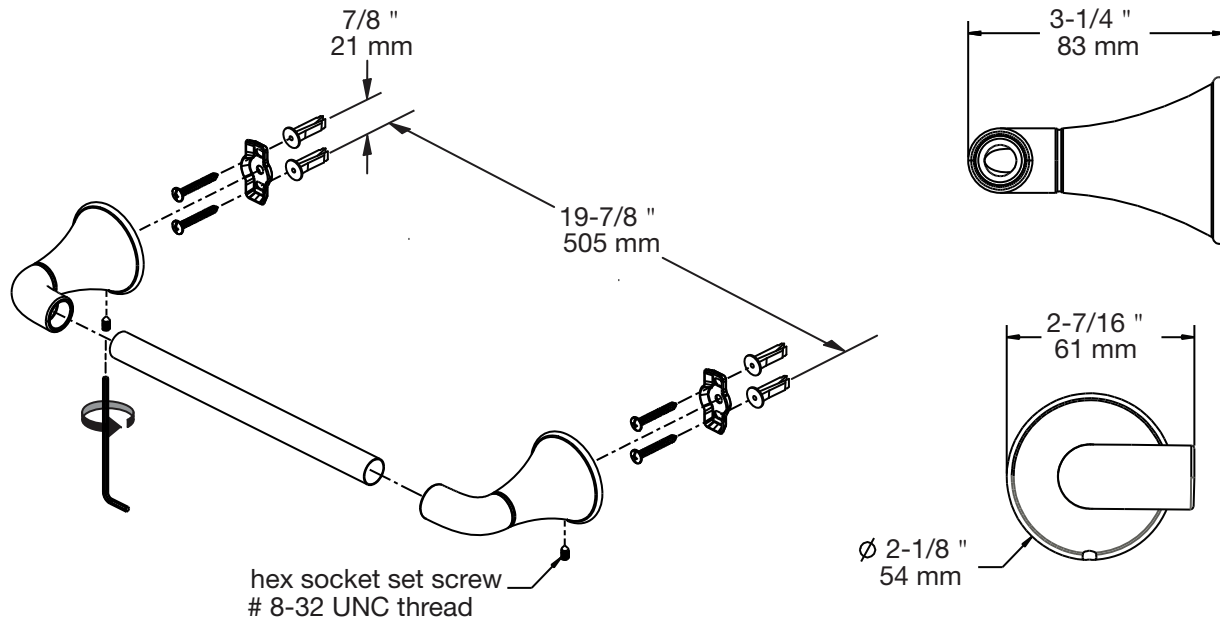
Append appropriate -suffix to model number.

- STN Satin Nickel finish
- SBZ Seasoned Bronze finish
- Chrome finish (standard finish)

Warranty

- Limited Lifetime - to the original end purchaser in residential/consumer installations
- 5 years - for commercial installations

Dimensions Elm Towel Bar, 553TB-18



Note: Dimensions subject to change without notice.

Symmons Industries, Inc. ■ 31 Brooks Drive ■ Braintree, MA 02184
 Phone: (800) 796-6667 ■ Fax: (800) 961-9621
 Website: symmons.com ■ Email: gethelp@symmons.com

Copyright © 2017 Symmons Industries, Inc. ■ ZV-749 REV A ■ 062717





SYMMONS® Elm®

Towel Ring 553TR

Specification Submittal



Model Number

- 553TR Towel Ring

Feature Highlights

- Metal construction
- Standard finish is polished chrome

Finish Options

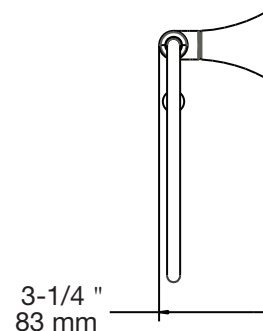
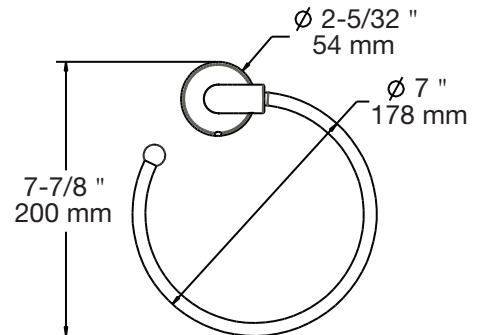
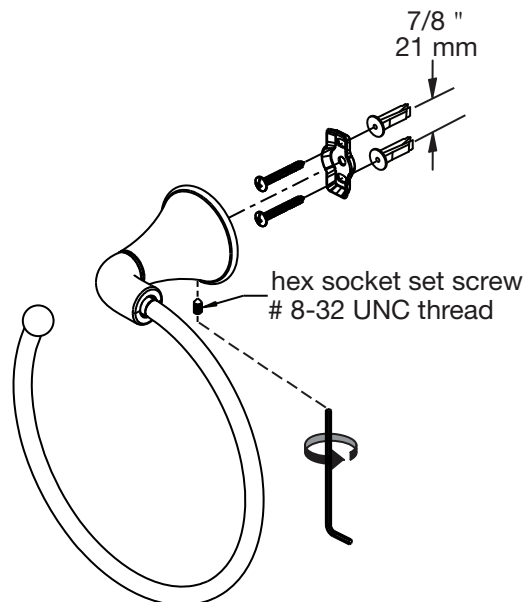
Append appropriate -suffix to model number.

- STN Satin Nickel finish
- SBZ Seasoned Bronze finish
- Chrome finish (standard finish)

Warranty

- Limited Lifetime - to the original end purchaser in residential/consumer installations
- 5 years - for commercial installations

Dimensions *Elm Towel Ring, 553TR*



Note: Dimensions subject to change without notice.

Symmons Industries, Inc. ■ 31 Brooks Drive ■ Braintree, MA 02184
Phone: (800) 796-6667 ■ Fax: (800) 961-9621
Website: symmons.com ■ Email: gethelp@symmons.com

Copyright © 2017 Symmons Industries, Inc. ■ ZV-748 REV A ■ 062117

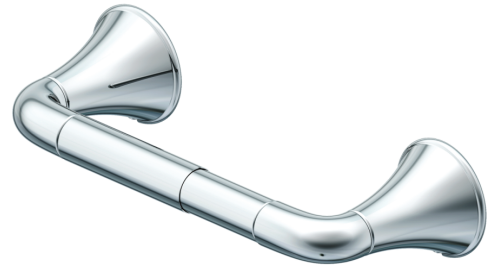


SYMMONS®
the smart choice™



SYMMONS® Elm®

Toilet Paper Holder 553TP Specification Submittal



Model Number

- 553TP Toilet Paper Holder

Feature Highlights

- Metal construction
- Standard finish is polished chrome

Finish Options

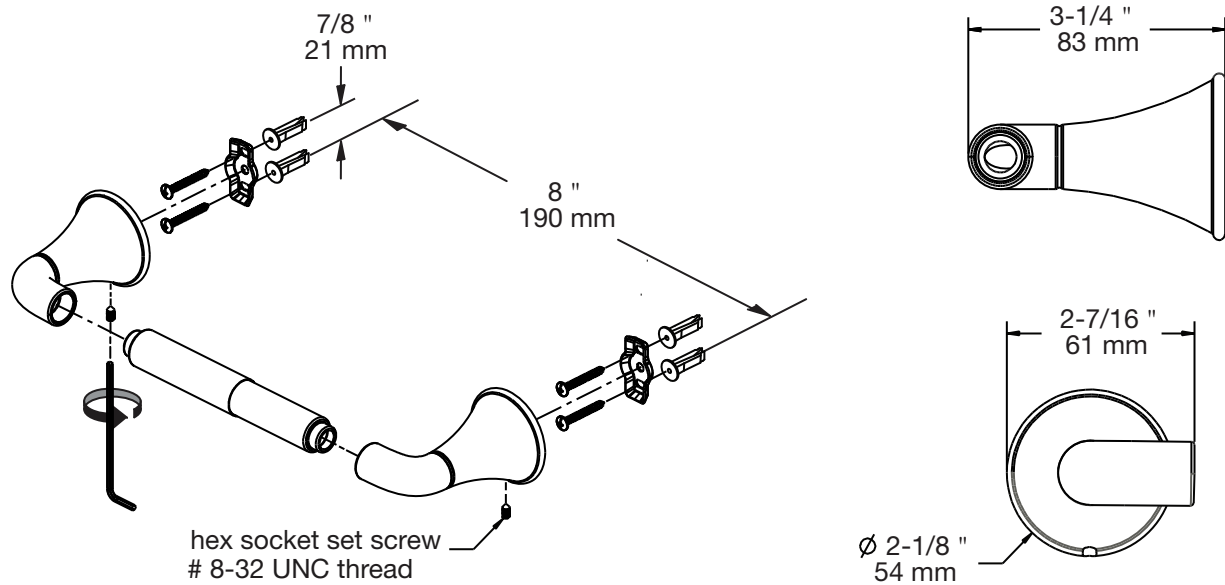
Append appropriate *-suffix to model number.*

- STN Satin Nickel finish
- SBZ Seasoned Bronze finish
- Chrome finish (standard finish)

Warranty

- Limited Lifetime - to the original end purchaser in residential/consumer installations
- 5 years - for commercial installations

Dimensions Elm Toilet Paper Holder, 553TP



Note: Dimensions subject to change without notice.

Symmons Industries, Inc. ■ 31 Brooks Drive ■ Braintree, MA 02184
 Phone: (800) 796-6667 ■ Fax: (800) 961-9621
 Website: symmons.com ■ Email: gethelp@symmons.com

Copyright © 2017 Symmons Industries, Inc. ■ ZV-746 REV A ■ 062117



SYMMONS®
the smart choice™



Robe Hook 553RH Specification Submittal



Model Number

- 553RH Robe Hook

Feature Highlights

- Metal construction
- Standard finish is polished chrome

Finish Options

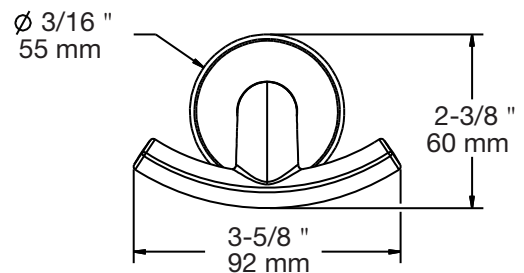
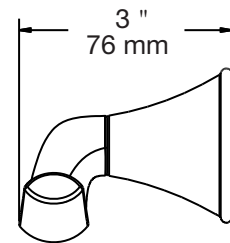
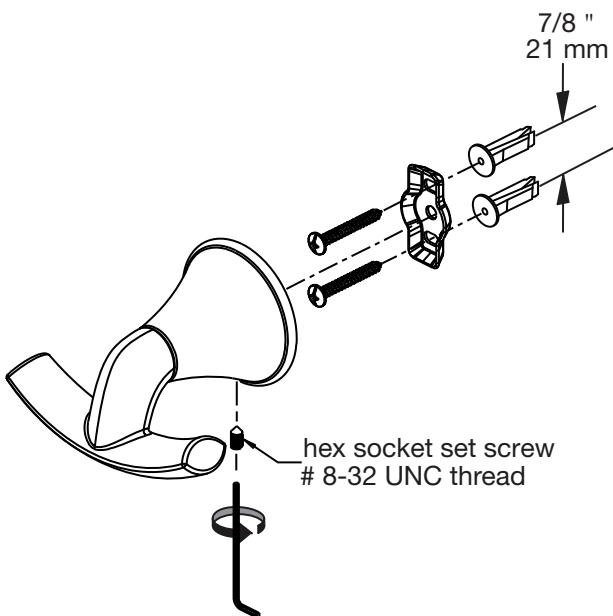
Append appropriate *-suffix to model number.*

- STN Satin Nickel finish
- SBZ Seasoned Bronze finish
- Chrome finish (standard finish)

Warranty

- Limited Lifetime - to the original end purchaser in residential/consumer installations
- 5 years - for commercial installations

Dimensions *Elm Robe Hook, 553RH*



Note: Dimensions subject to change without notice.

Symmons Industries, Inc. ■ 31 Brooks Drive ■ Braintree, MA 02184
Phone: (800) 796-6667 ■ Fax: (800) 961-9621
Website: symmons.com ■ Email: gethelp@symmons.com

Copyright © 2017 Symmons Industries, Inc. ■ ZV-745 REV A ■ 062717

