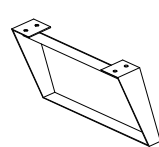


# ASSEMBLY INSTRUCTIONS FOR 2 DOOR NIGHTSTAND

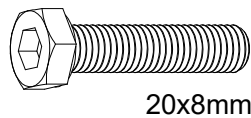
A X 1



B X 2

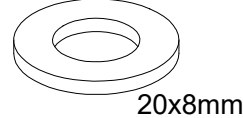


C X 8



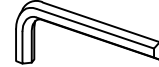
20x8mm

D X 8



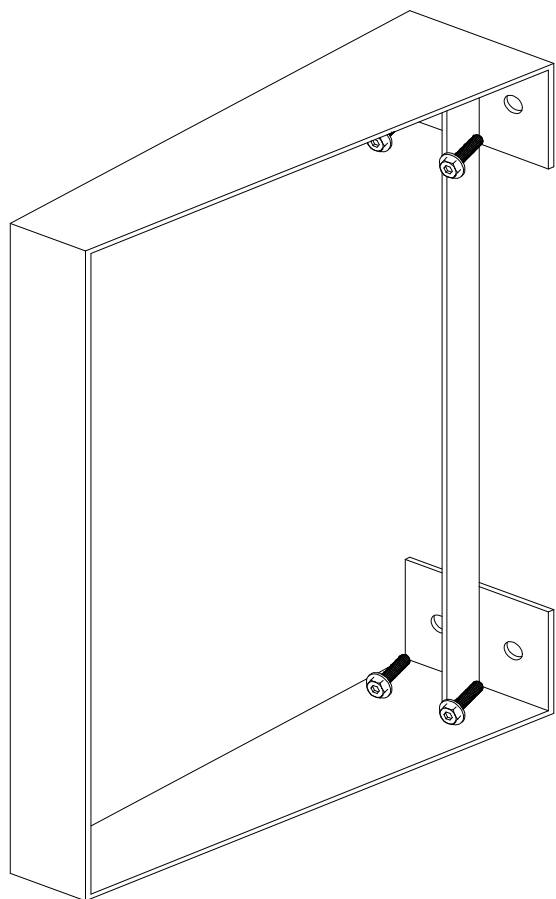
20x8mm

E X 1

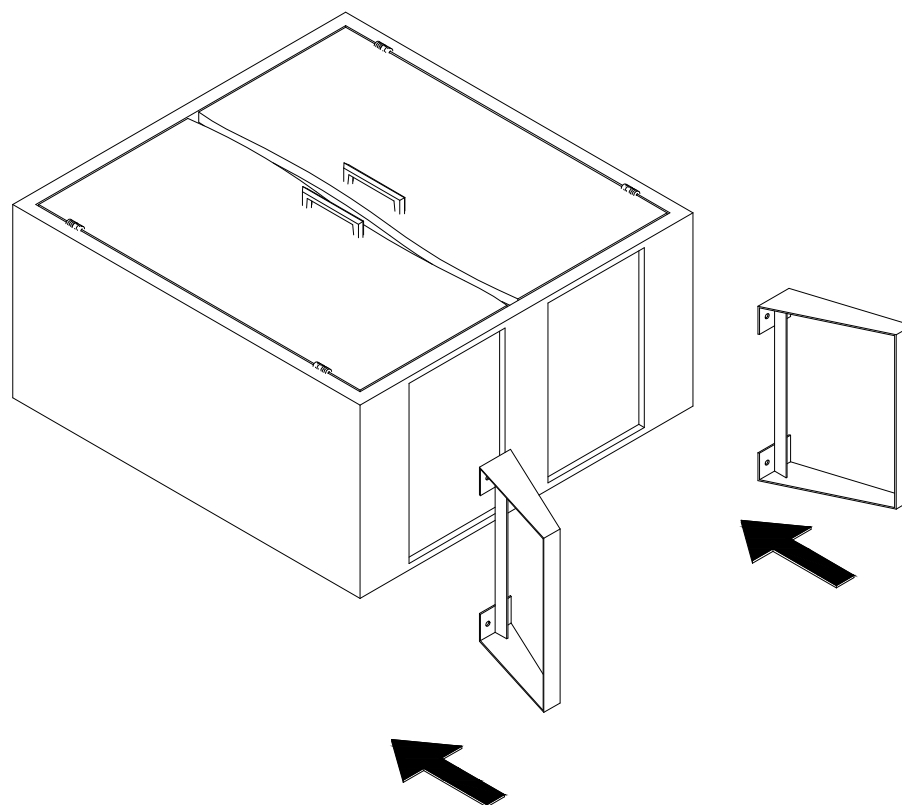


5mm

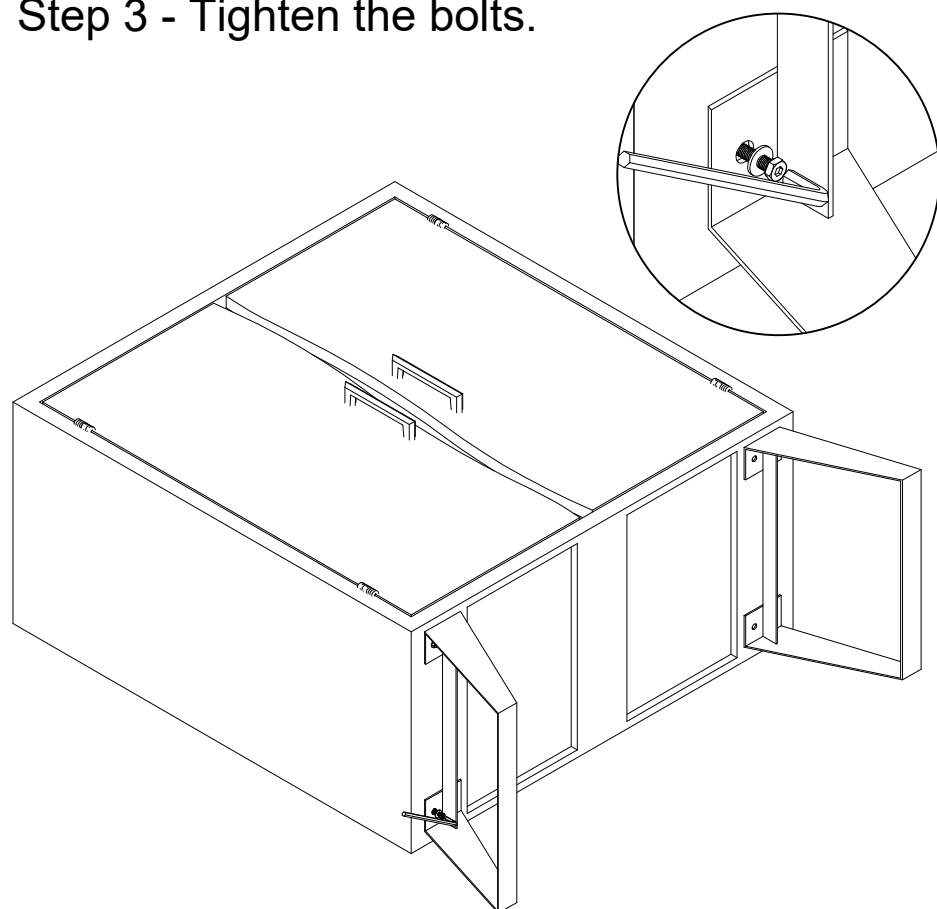
Step 1 -



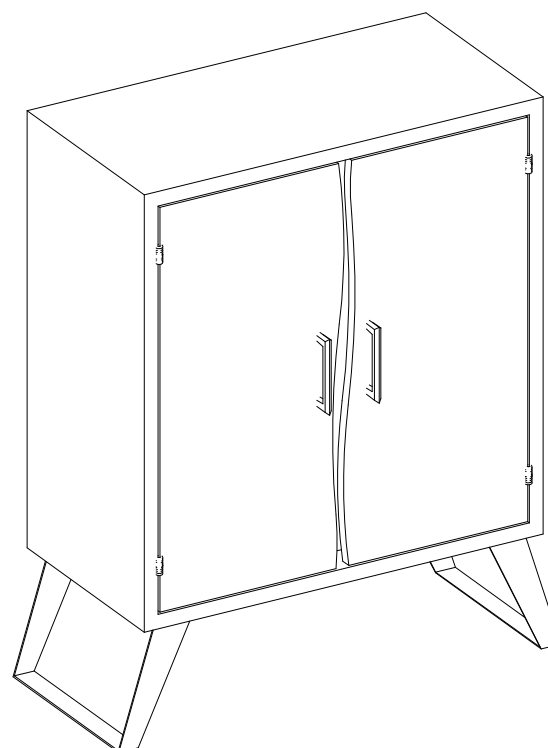
Step 2 -



Step 3 - Tighten the bolts.



Step 4 - Your product is now ready for use.  
If it is shaking please tighten the bolts.



## Care Instructions

Wipe with a soft, dry cloth. To protect finish, avoid the use of chemicals and household cleaners. Any liquid spilled onto the table should be cleaned up immediately with a damp cloth. Avoid keeping the product in direct sunlight.