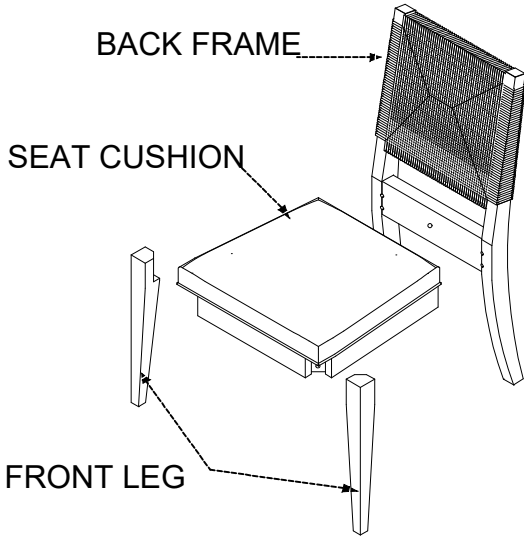
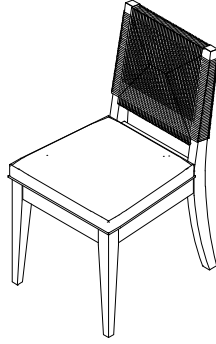
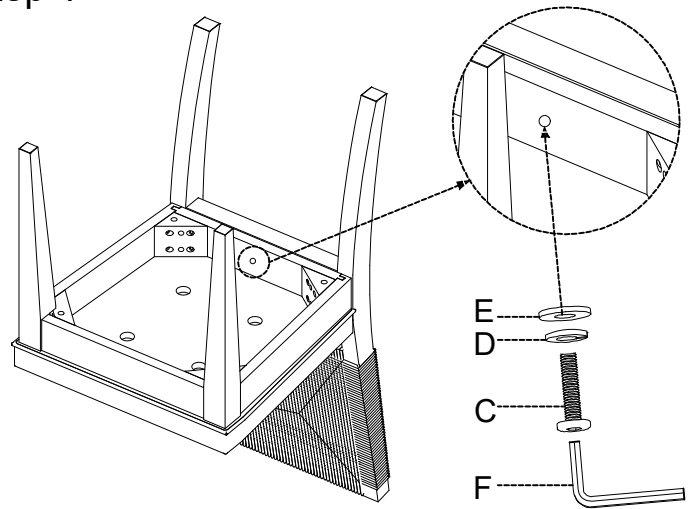


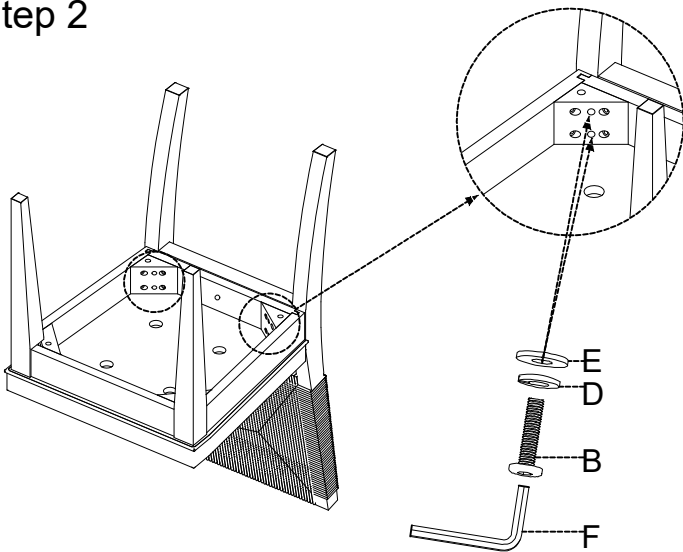
ASSEMBLY INSTRUCTIONS



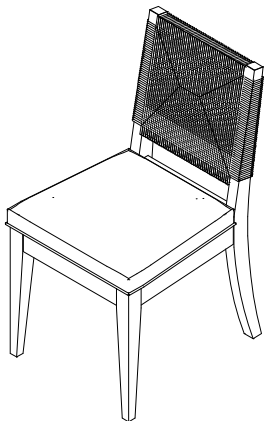
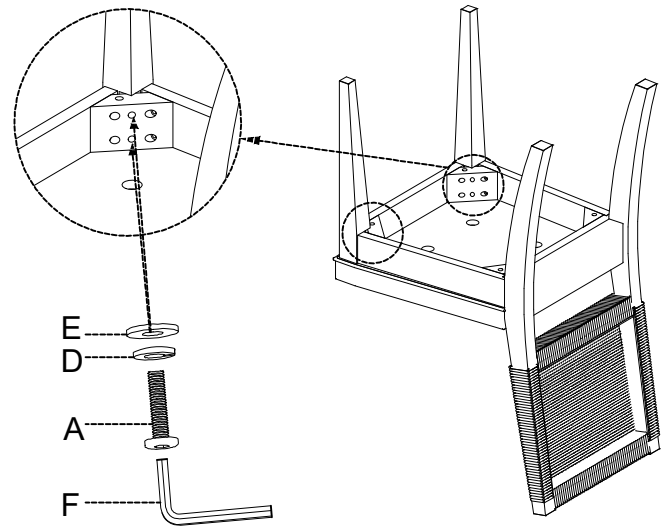
Step 1



Step 2



Step 3



HARDWARE LIST

A		Bolt (Ø1/4"*2 1/2")	4 pcs
B		Bolt (Ø1/4"*3")	4 pcs
C		Bolt (Ø1/4"*1 1/2")	1 pcs
D		Lock Washer (Ø1/4")	9 pcs
E		Flat Washer (Ø1/4")	9 pcs
F		Allen Wrench (4mm)	1pc

OK