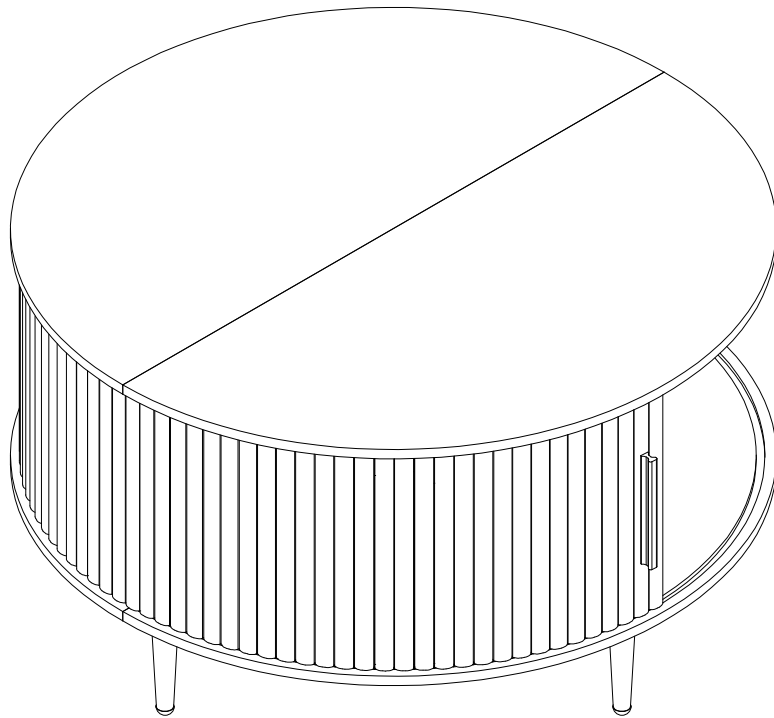


MANUAL INSTRUCTIONS



ATTENTION



1. The product must be assembled and used according to the manual. The seller is not liable for any damage caused by incorrect assembly or misuse.
2. Do not sit or stand on the product.
3. Place the item on a flat surface.
4. Keep small parts away from children to avoid choking hazards.
5. Keep product away from corrosive gases, liquids and dusty environment.
6. Keep the original box(es) until assembly is complete or no quality issues need to be confirmed.

AFTER-SALE SERVICE

If you have any suggestions or encounter quality issues with our products, please contact us first. Our after-sales team will respond within 24 hours, and we will do our best to provide a solution until you are satisfied.

GUARANTEED CUSTOMER SERVICE

Your shopping experience is very important to us!

If you feel unsatisfied or have any questions, just contact us without any hesitation!

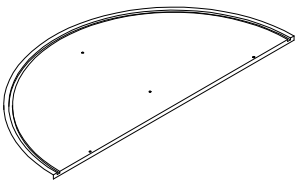
If you want to share how wonderful our smart product makes your home, you can share your pictures with us!

For further information, contacts immediately:

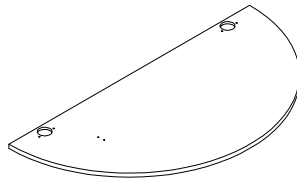


service@kmcglobe-us.com

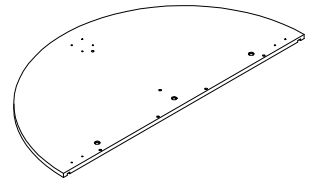
PARTS



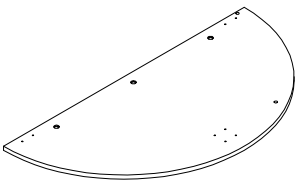
1 × 1



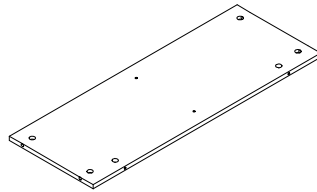
2 × 1



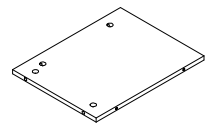
3 × 1



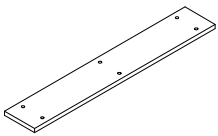
4 × 1



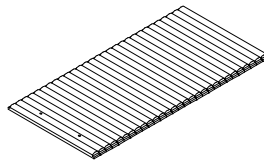
5 × 1



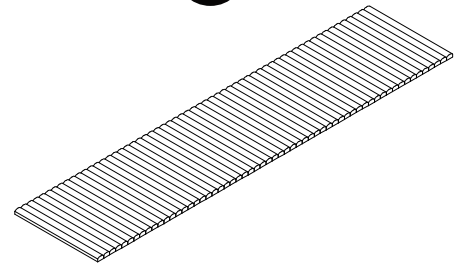
6 × 1



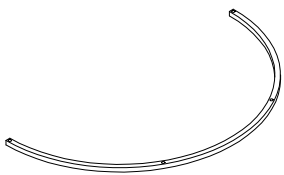
7 × 1



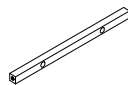
8 × 1



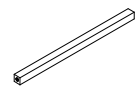
9 × 1



10 × 2



11 × 2



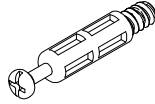
12 × 2

HARDWARE



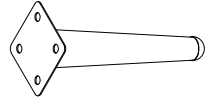
Φ15x10mm

A × 10(+1)



Φ6x40mm

B × 10(+1)



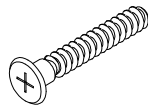
H=150mm

C × 4



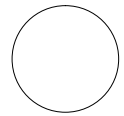
K4X10mm

D × 16(+1)



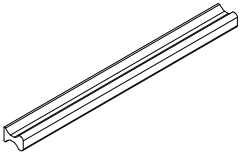
Φ5x40mm

E × 6(+1)

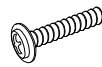


Φ20mm

F × 10(+1)

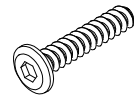


G × 1



M4x16mm

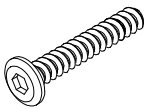
H × 2(+1)



BLACK

M6x20mm

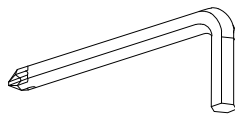
I × 10(+1)



BLACK

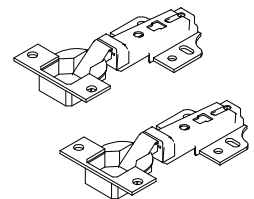
M6x40 mm

J × 8(+1)



M4

K × 1



L × 1



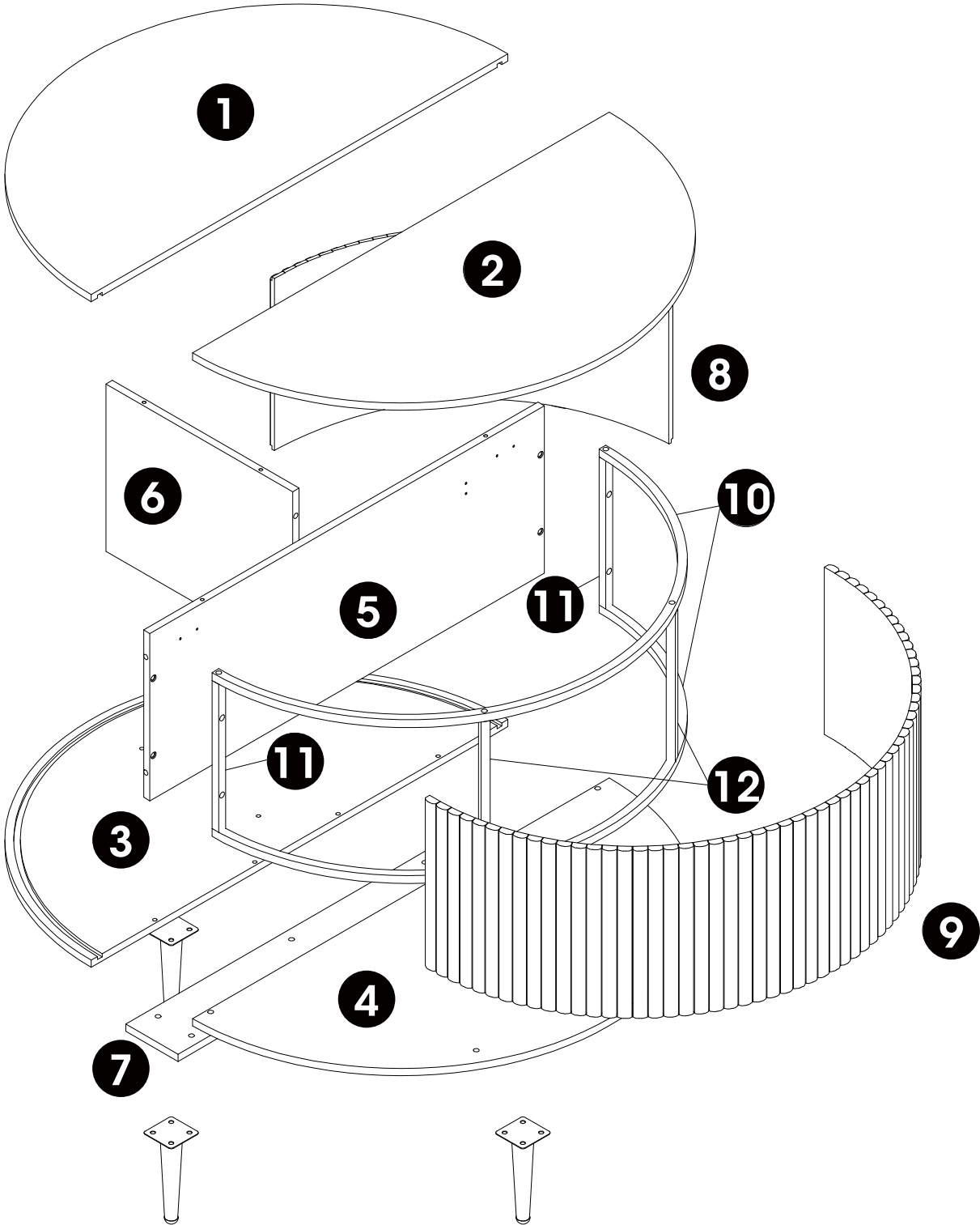
K3.5x12mm

M × 16(+1)

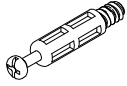


N × 1

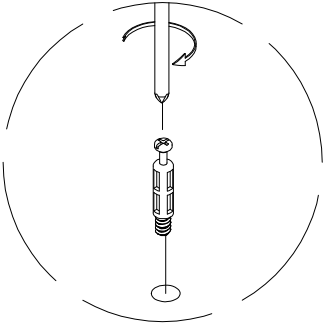
EXPLOSION VIEW



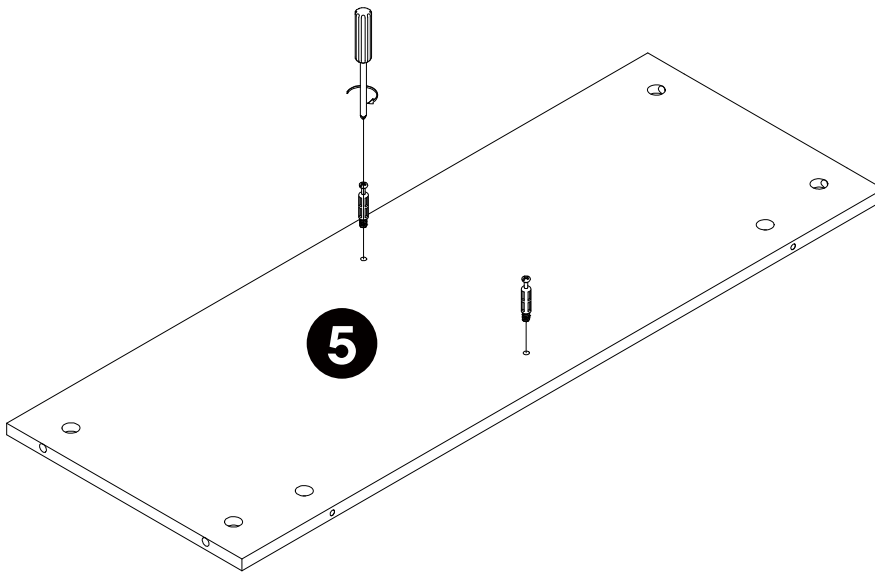
1



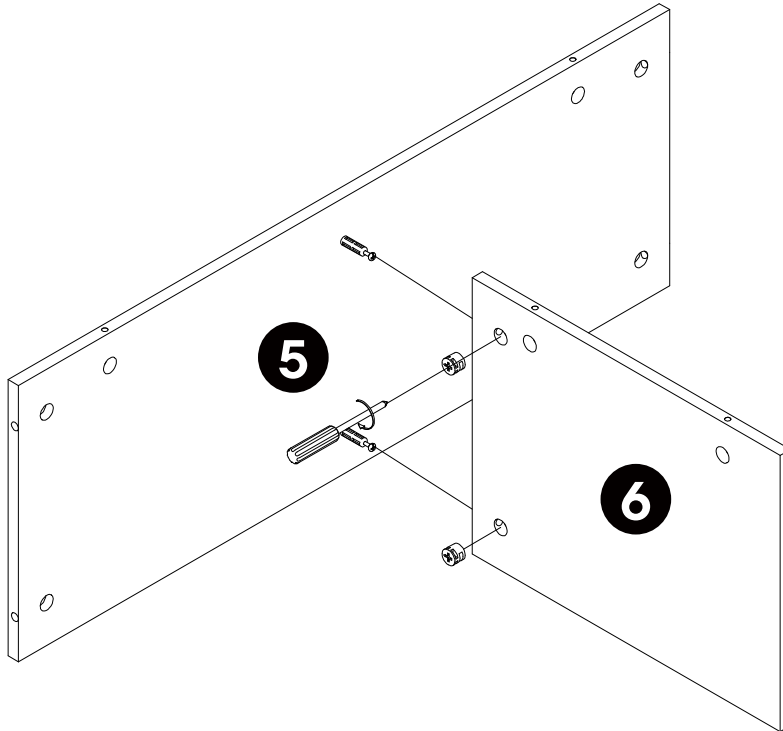
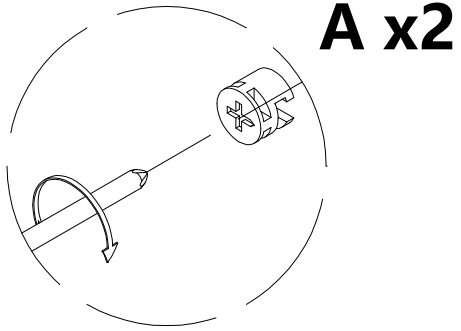
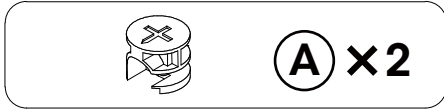
B x2



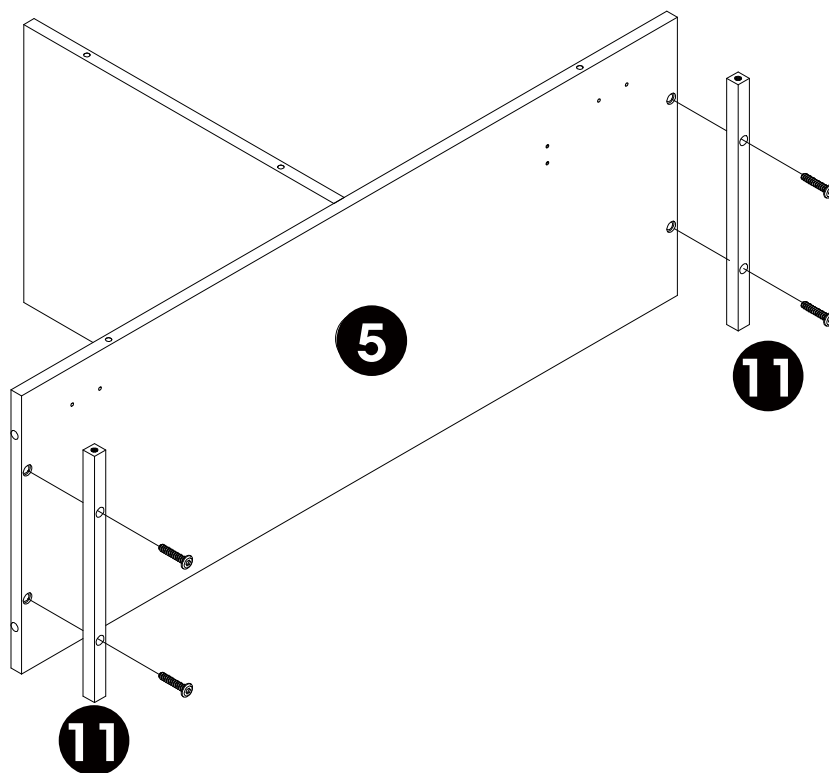
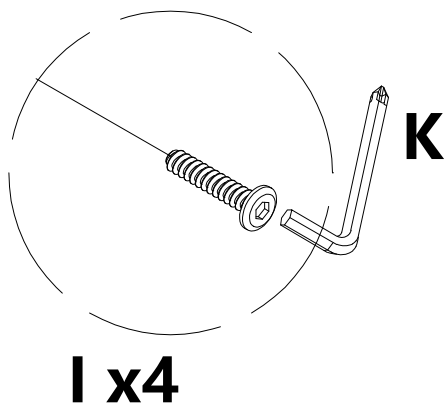
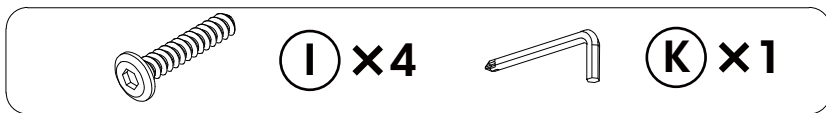
B x2



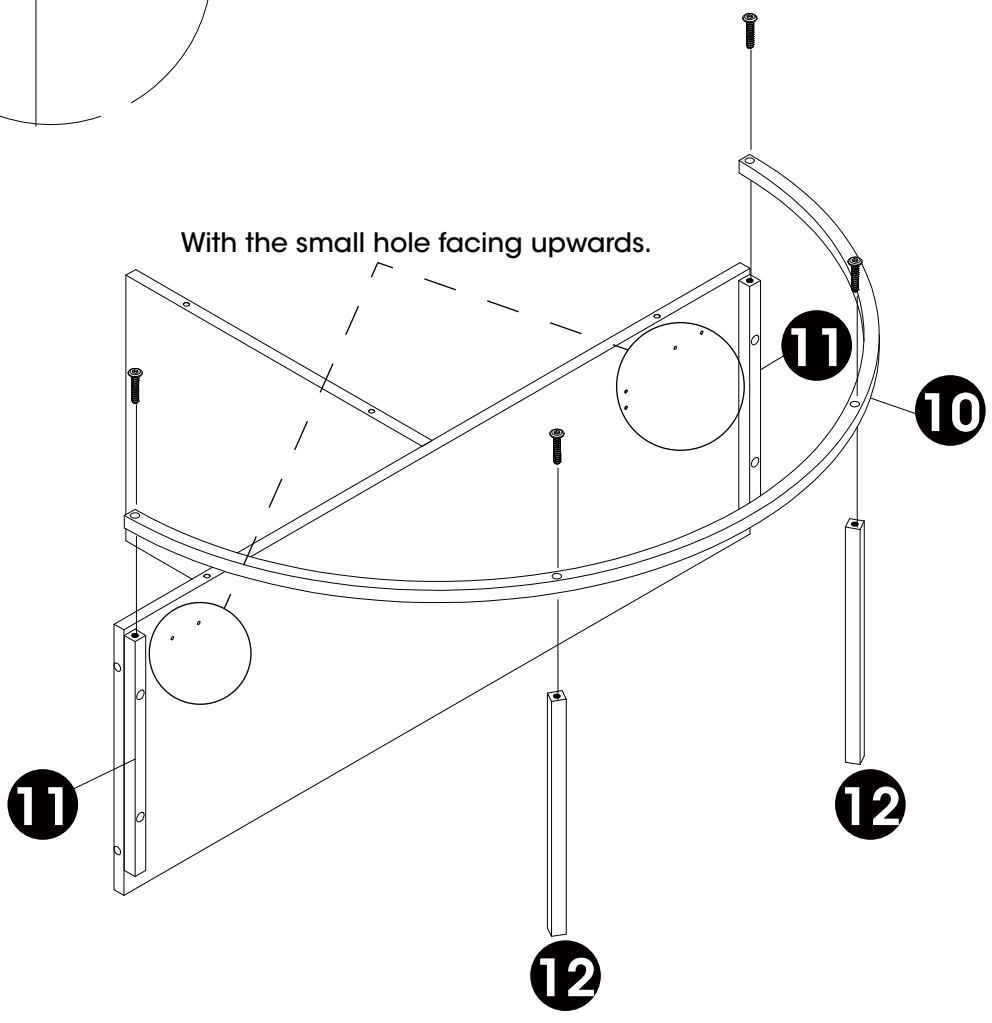
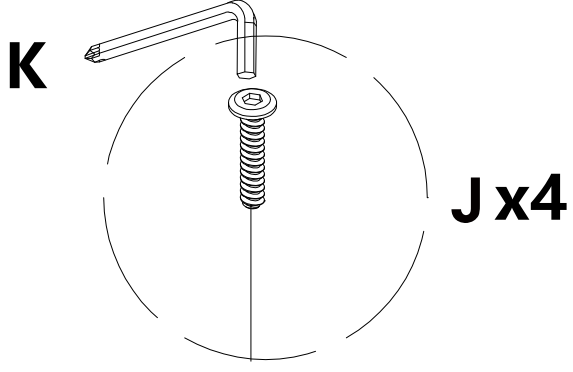
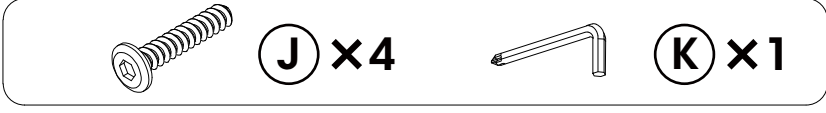
2



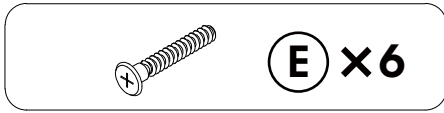
3



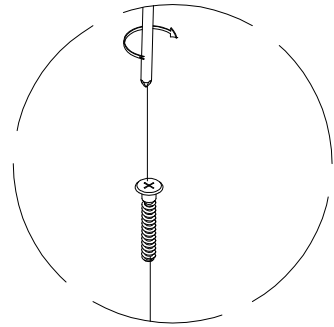
4



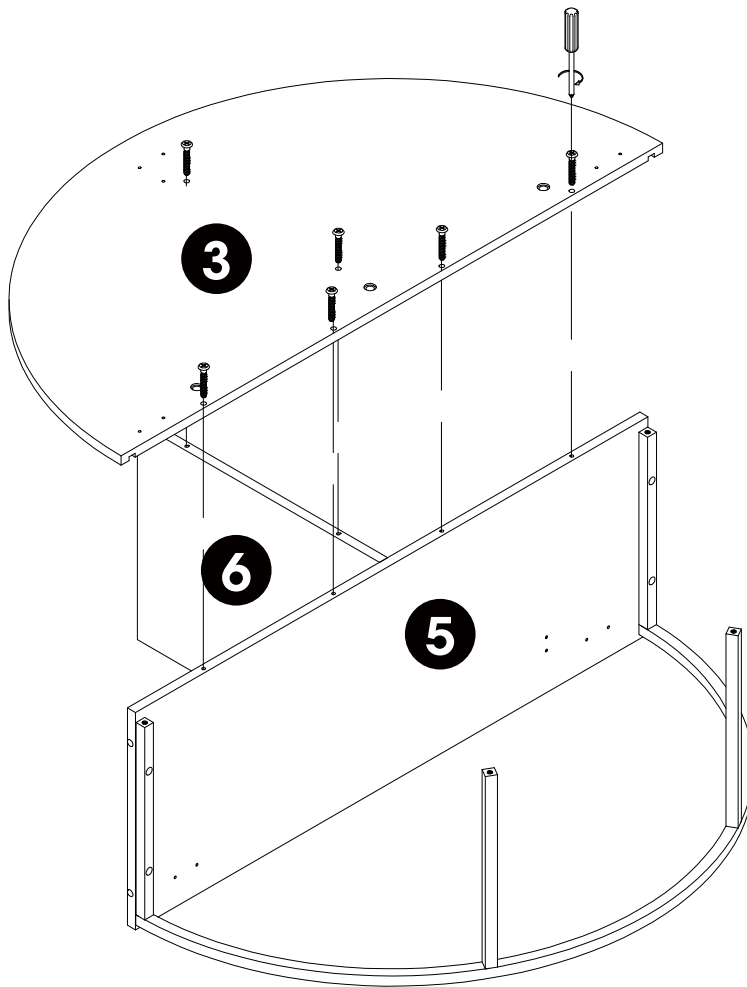
5



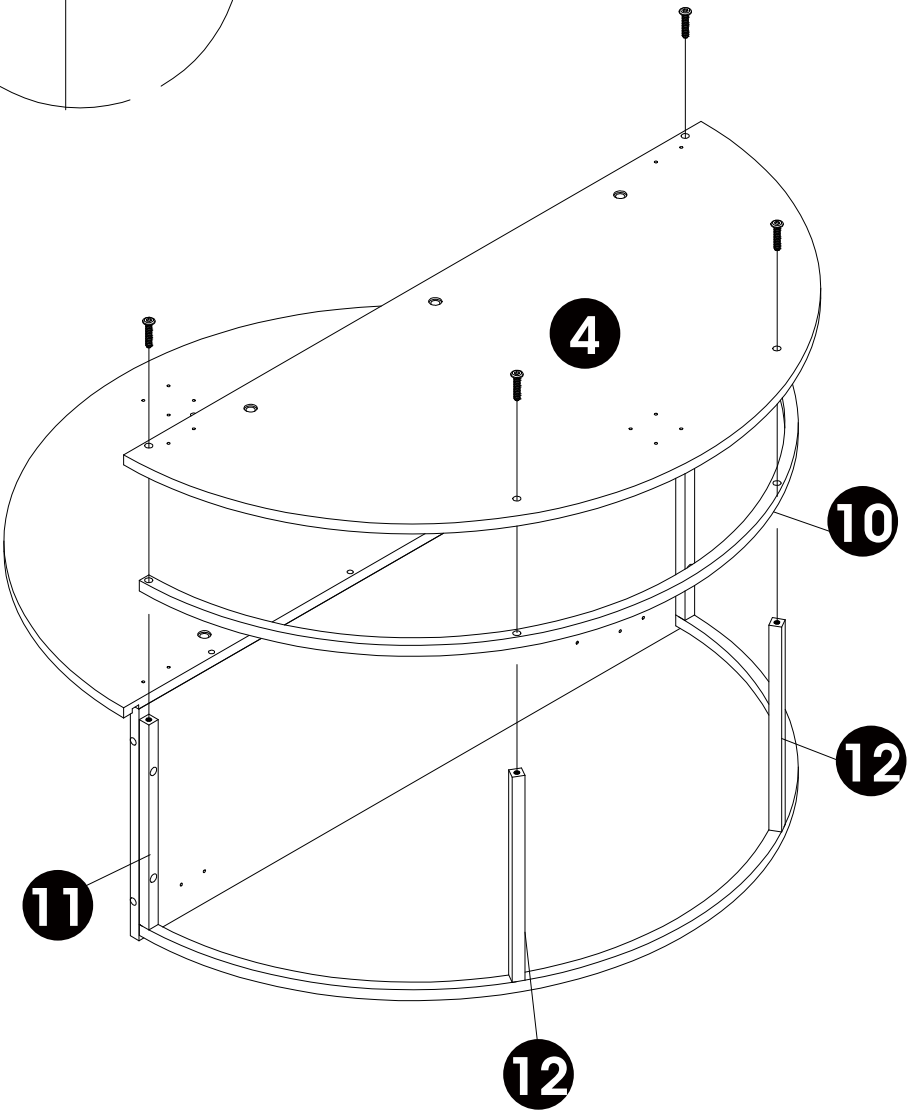
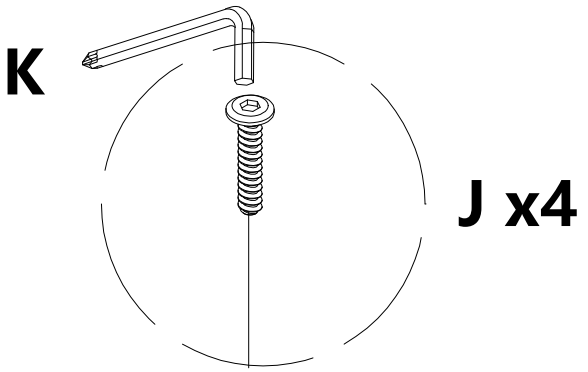
Flip step four over by 180 degrees.



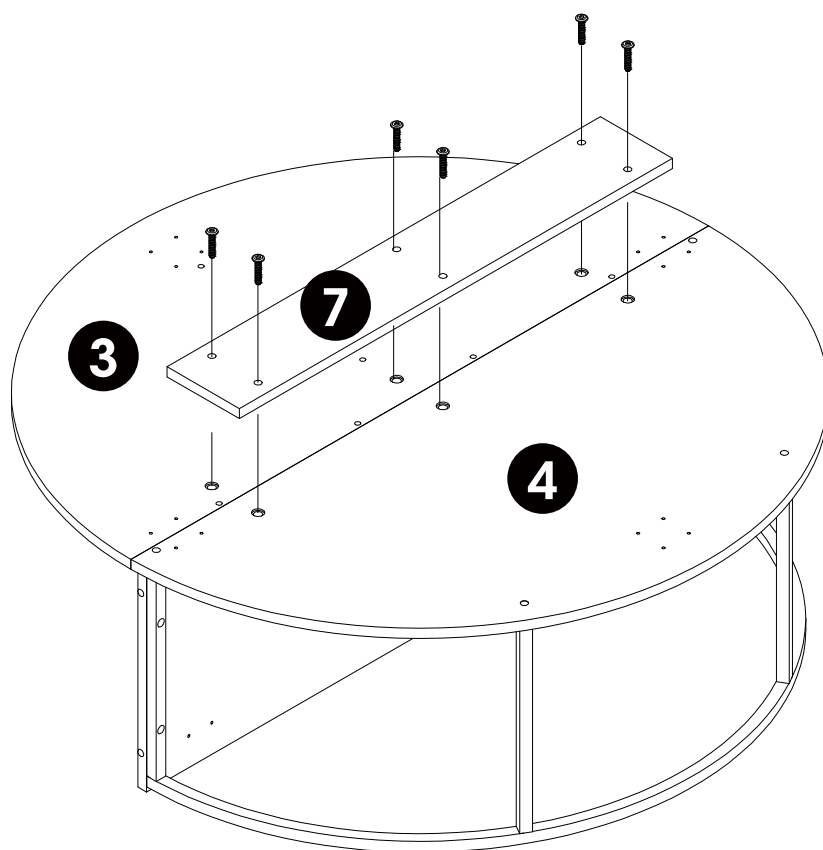
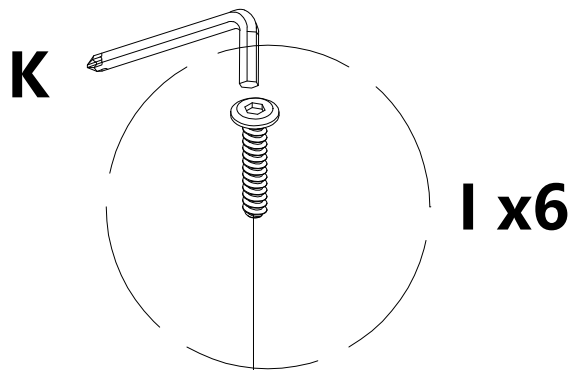
E x 6



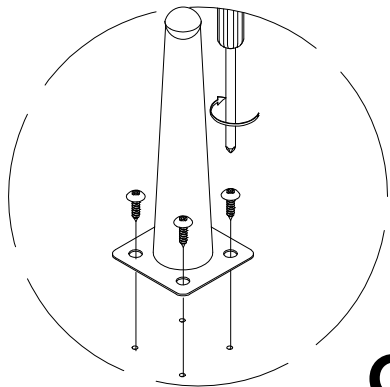
6



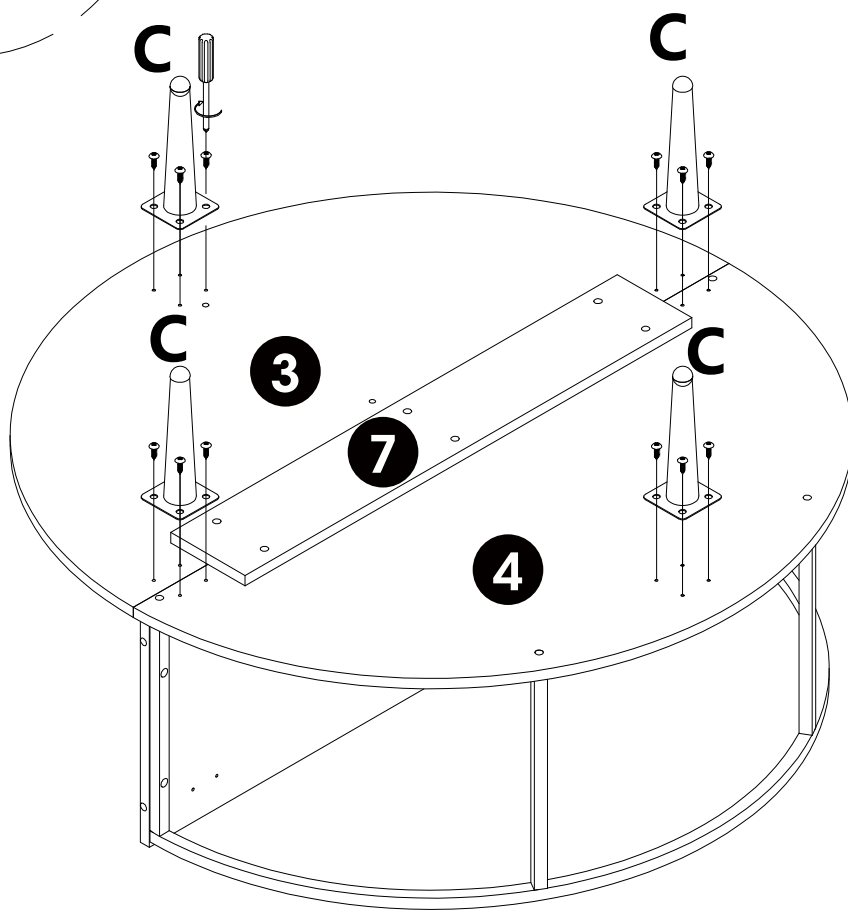
7



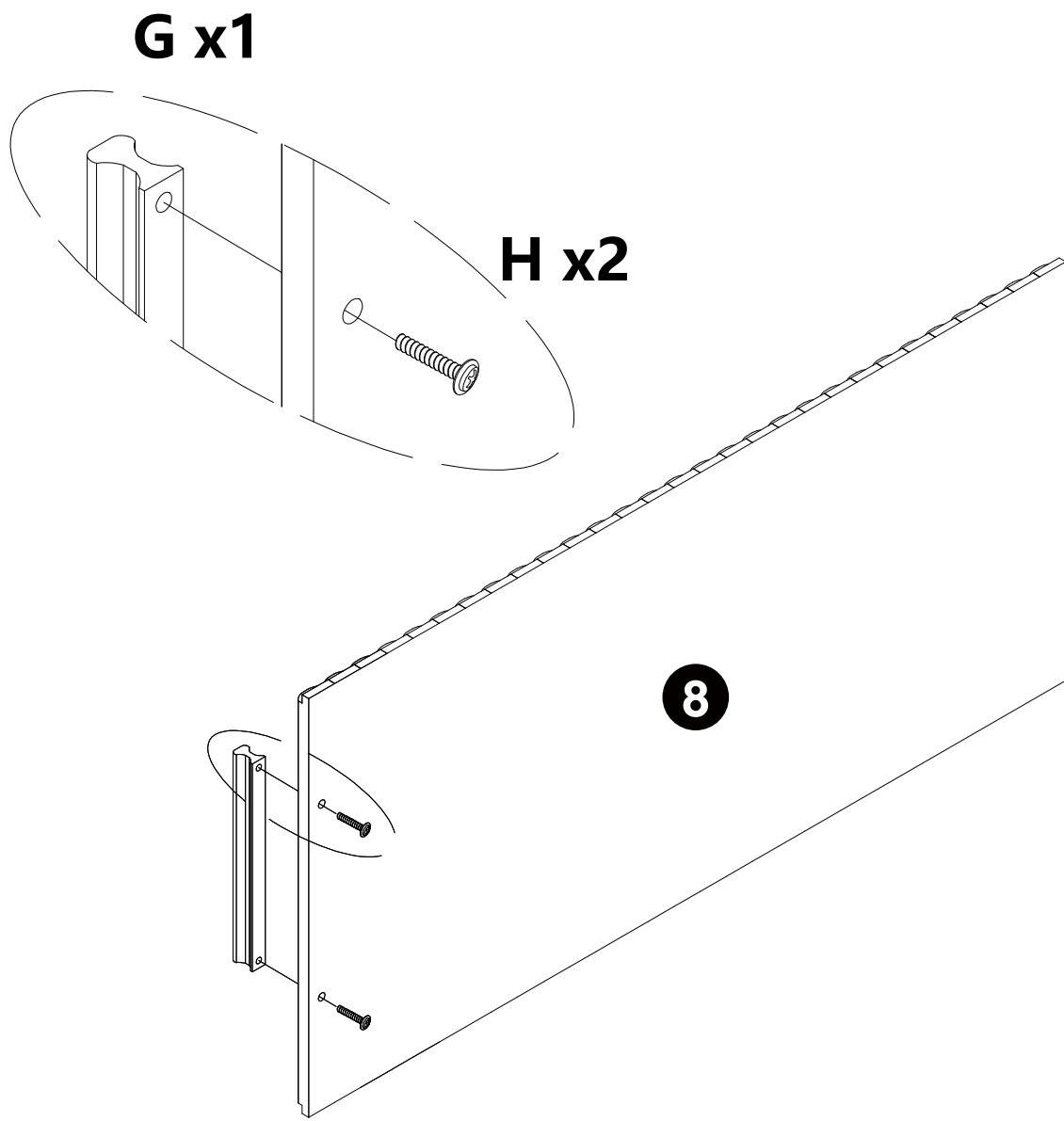
8



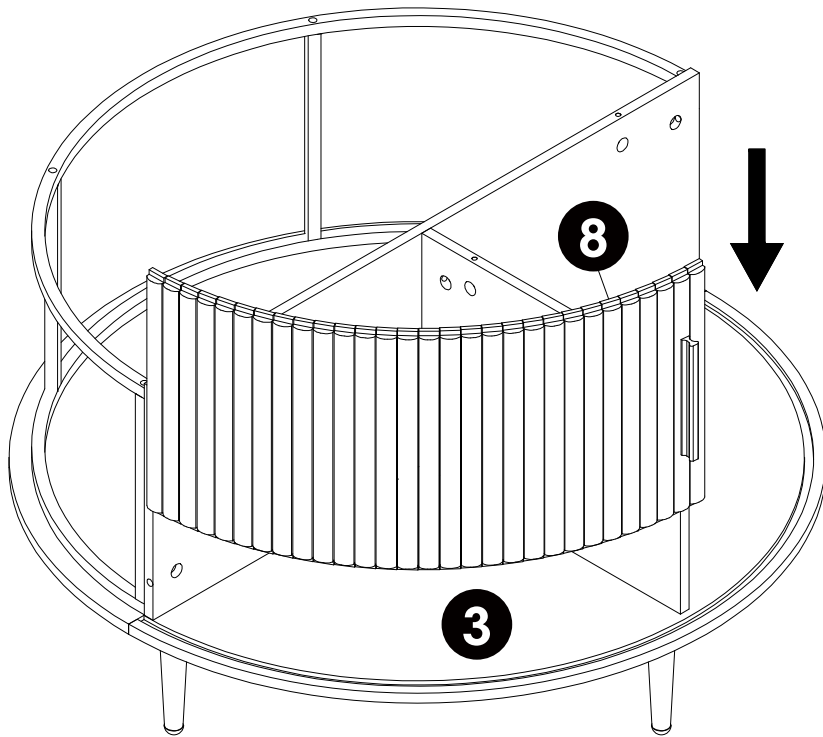
D x16



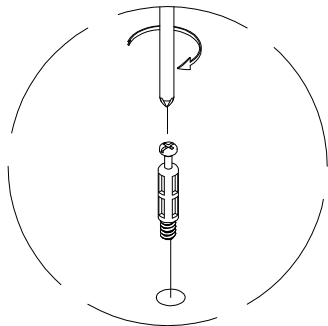
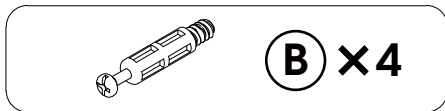
9



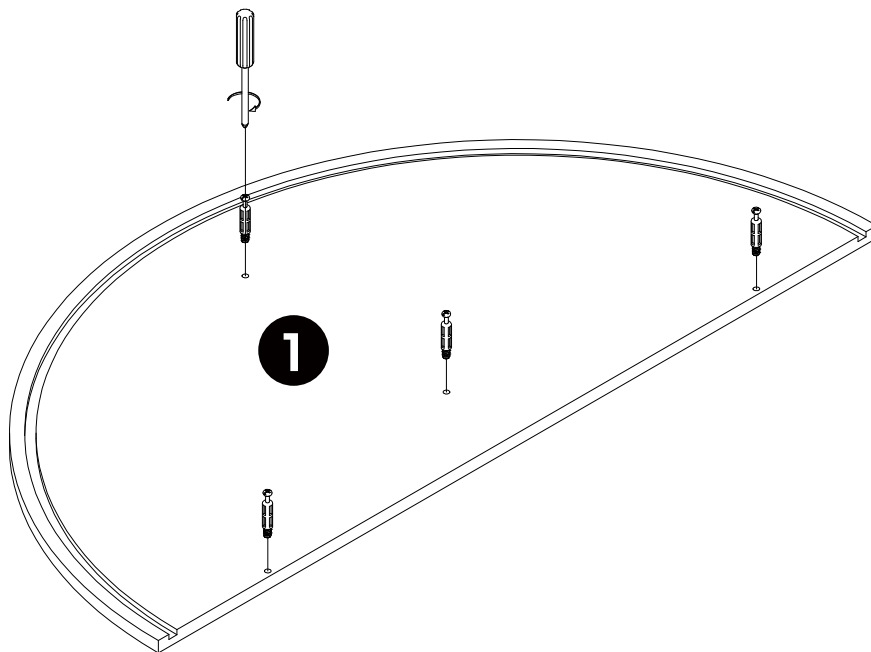
10



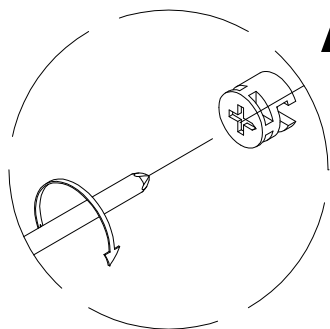
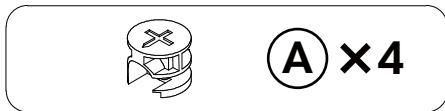
11



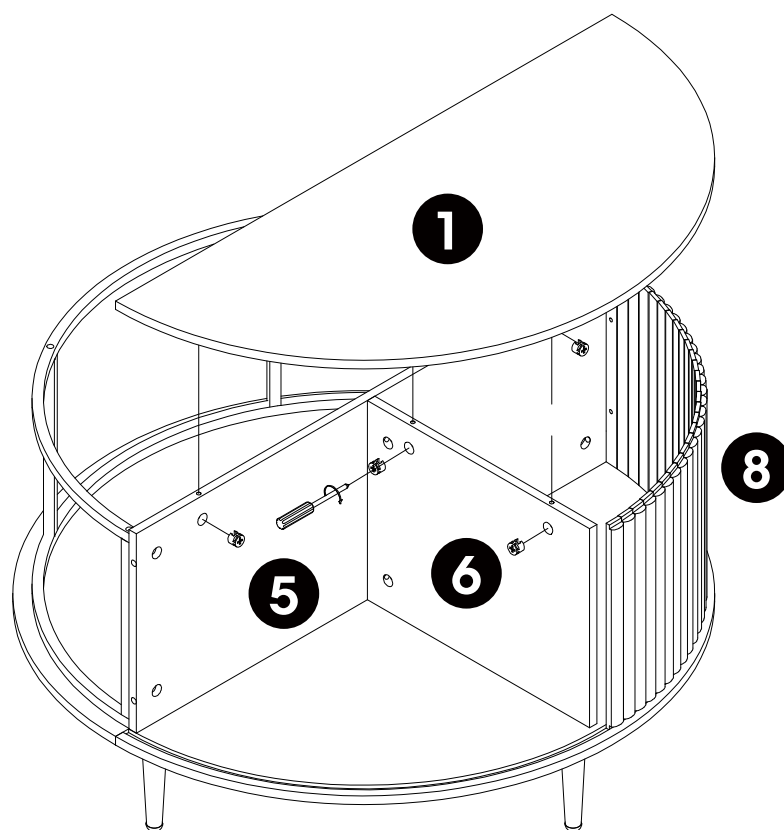
B x4



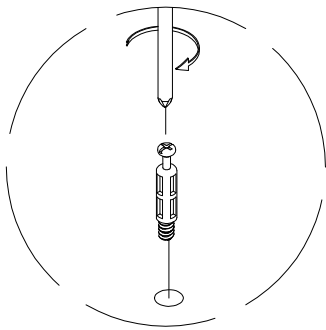
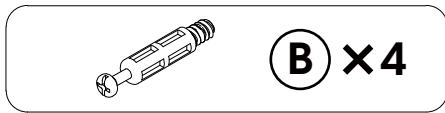
12



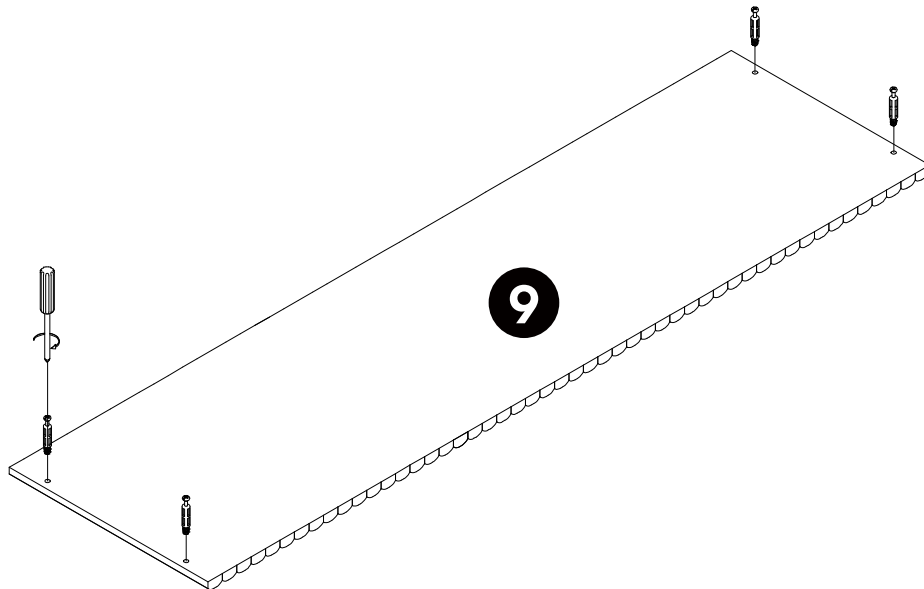
A x4



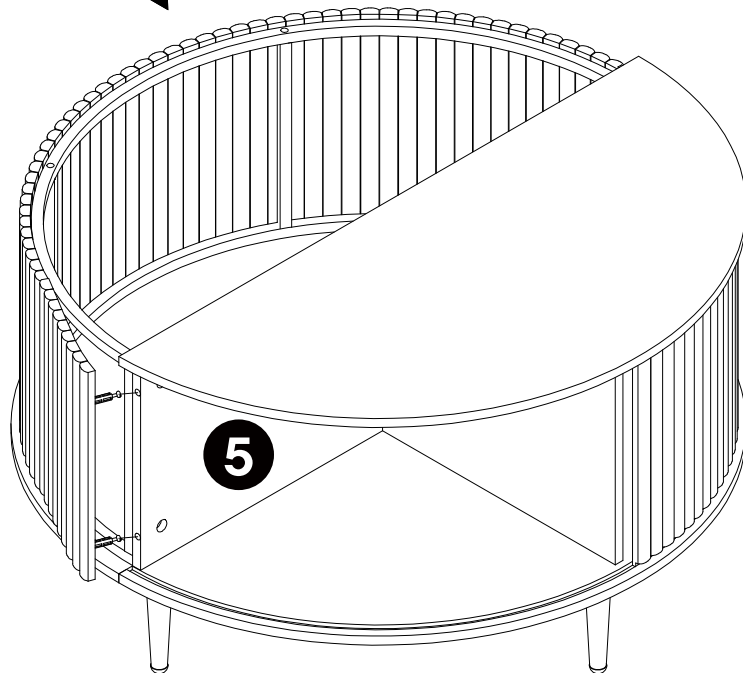
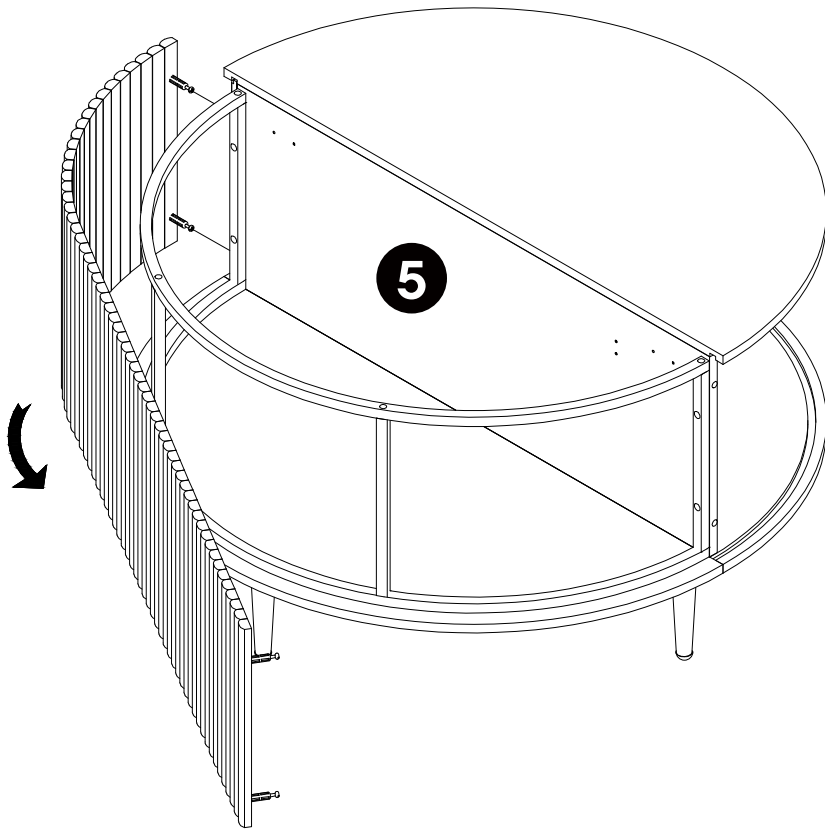
13



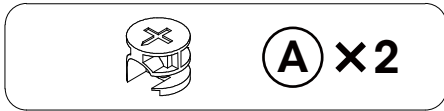
B x4



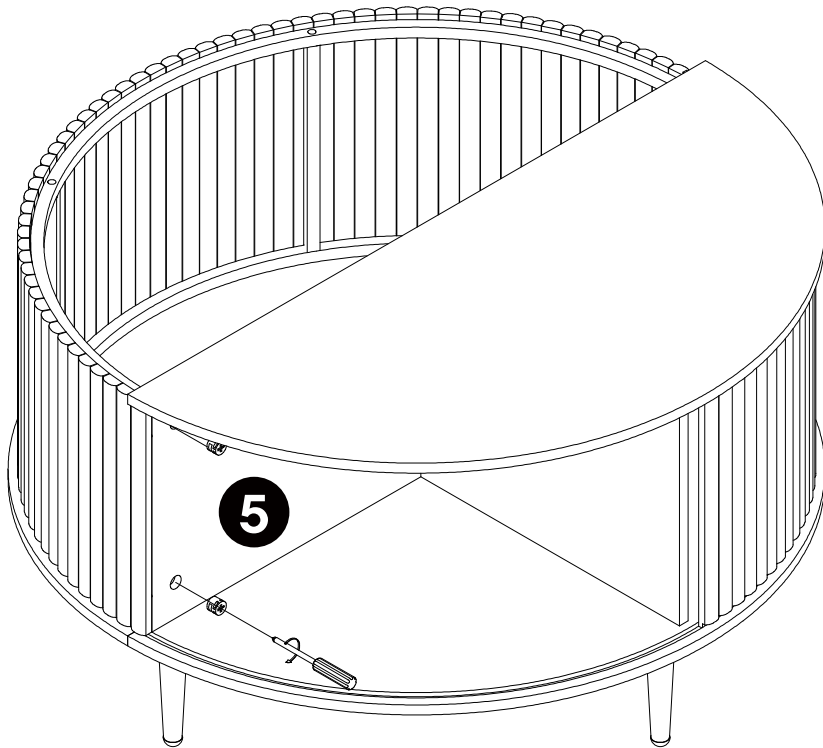
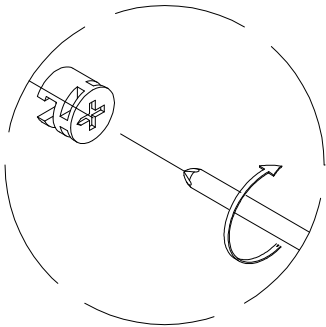
14



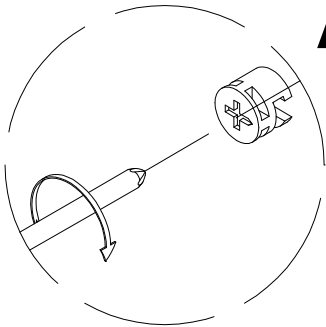
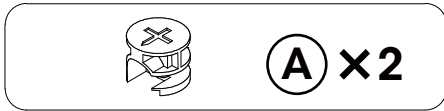
15



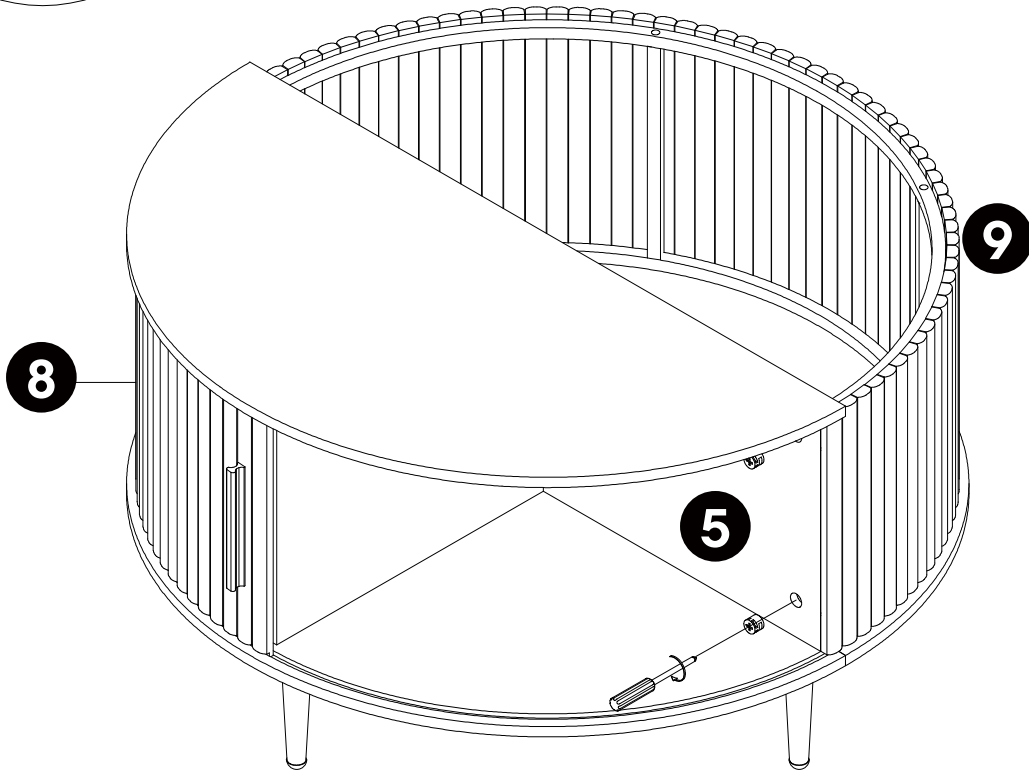
A x2



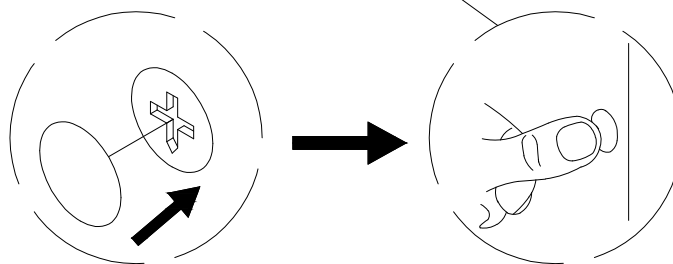
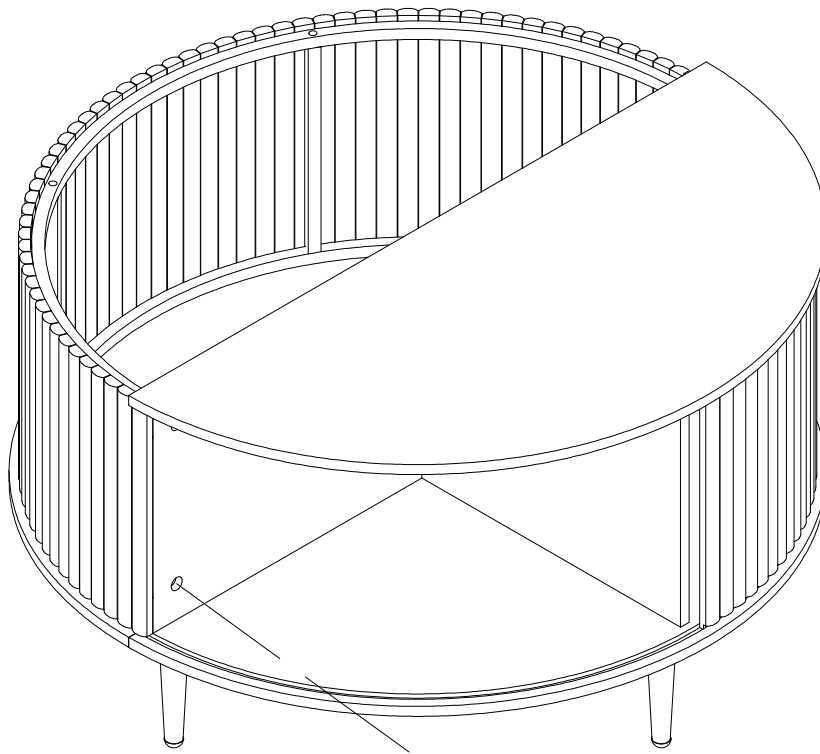
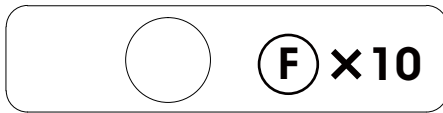
16



A x2



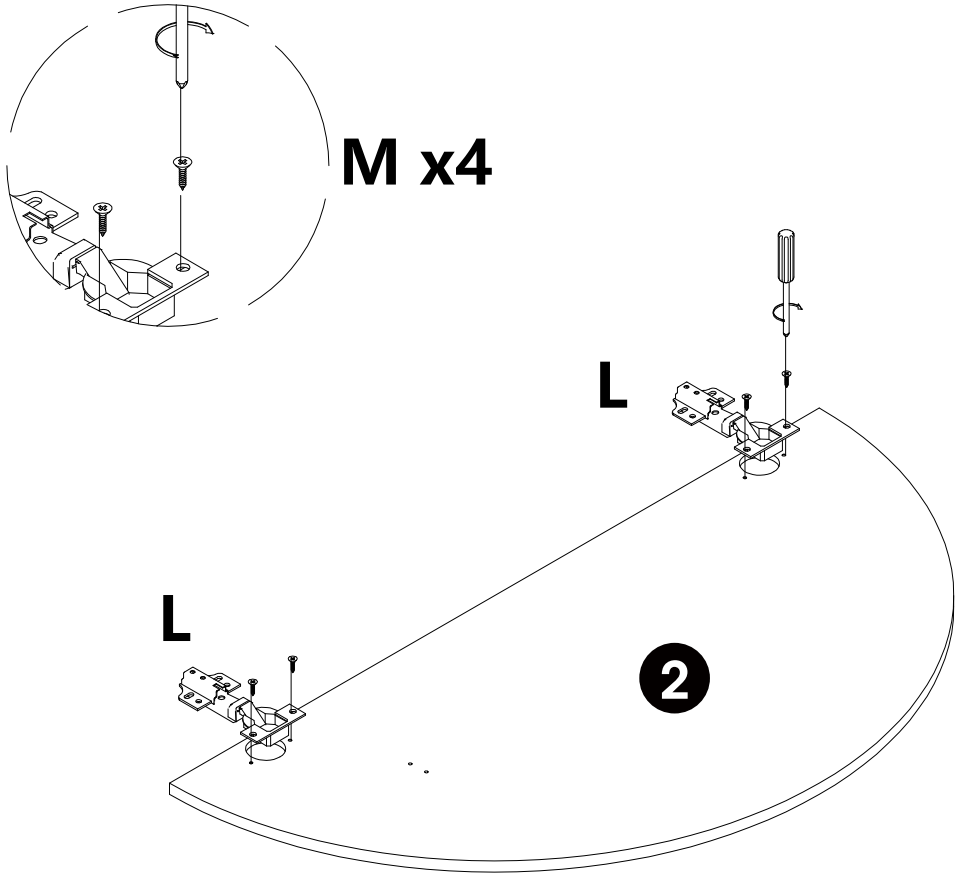
17



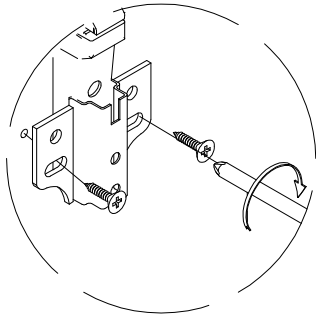
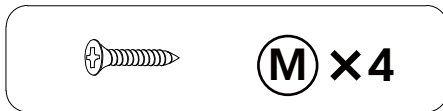
F x10

For a more aesthetically pleasing appearance, you can use F to cover the exposed hardware holes as needed.

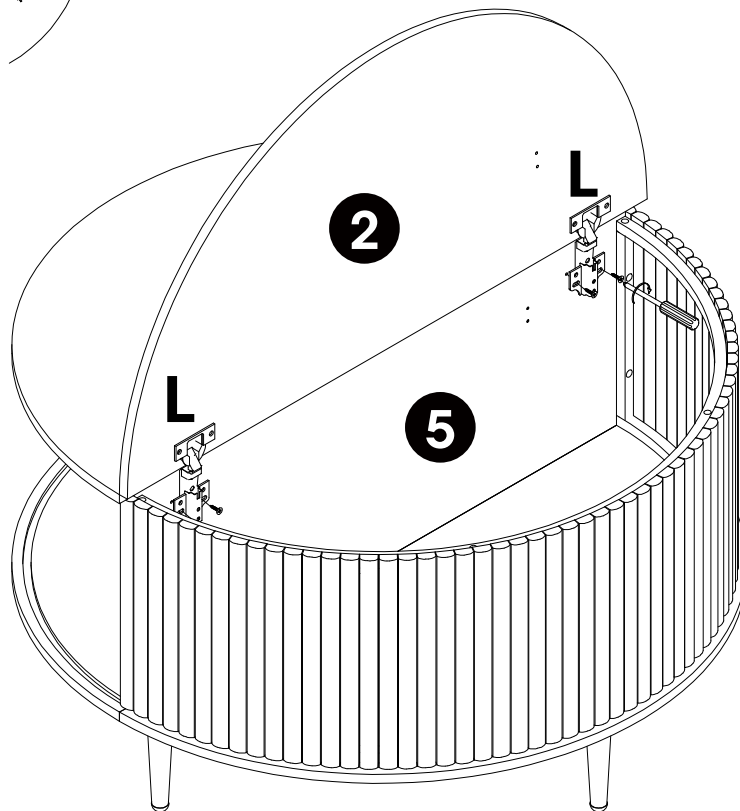
18



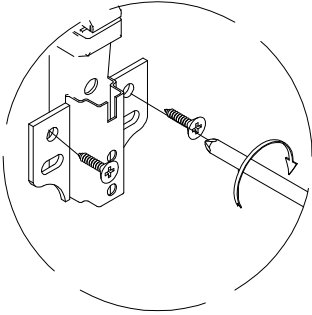
19



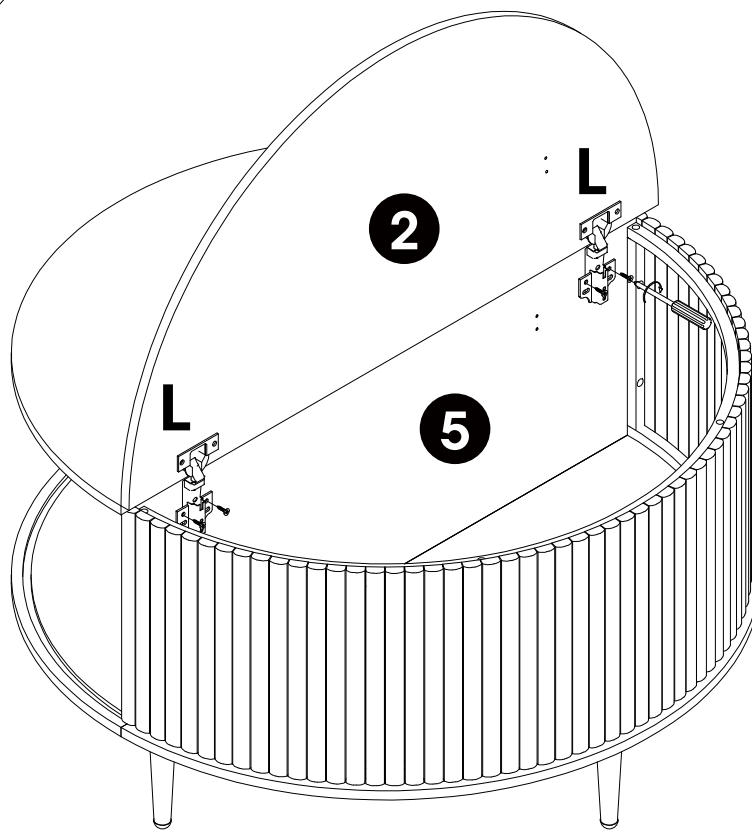
M x4



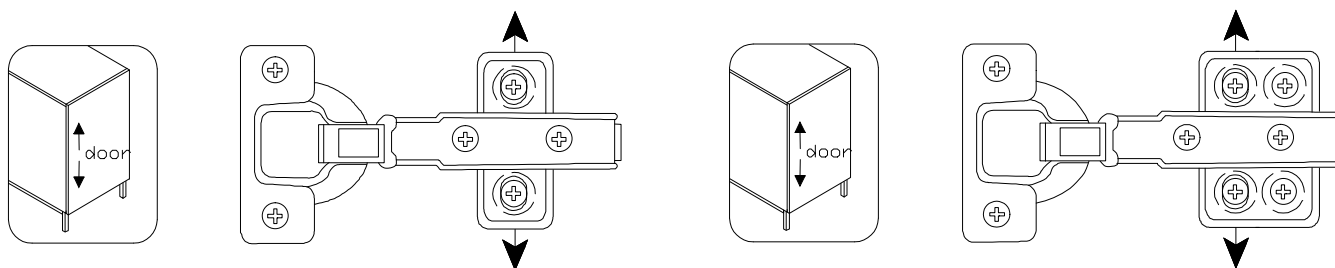
20



M x 4

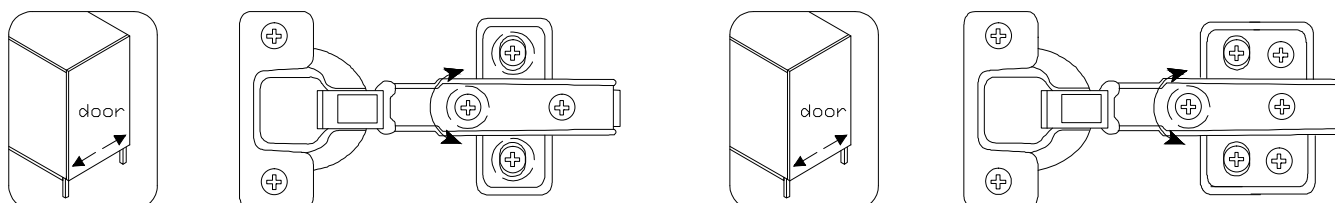


When the door of the cabinet is too high or too low



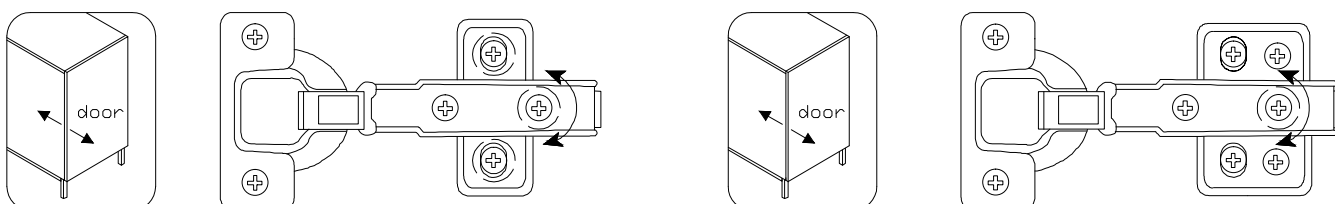
Loosen the height screws, then move the door up or down to make it level and then tighten the screws.

When the four sides of the cabinet door are not flush with the cabinet.



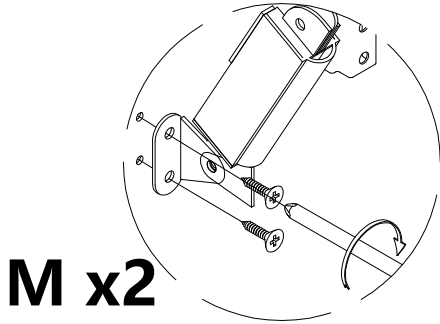
Adjust the lateral screws. Rotate the screws clockwise to increase the gap of the hinge, and rotate the screws counterclockwise to reduce the gap of the hinge until the four sides of the cabinet door are flush with the cabinet body.

When the gap between the position of the cabinet door hinge and the cabinet is either too large or too small.



Loosen the in-and-out screws, adjust the gap between the door and the cabinet to make it even, and then tighten the screws.

21



N x 1

