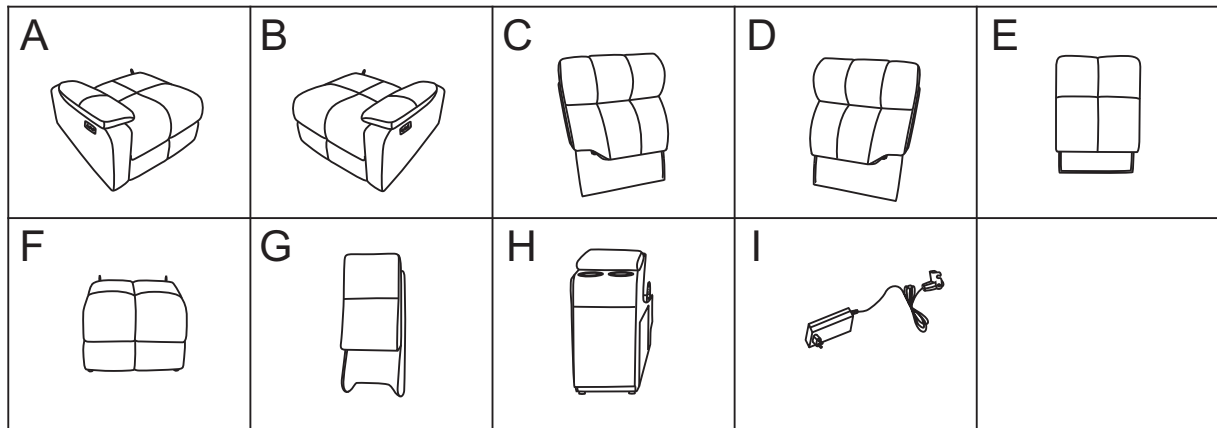
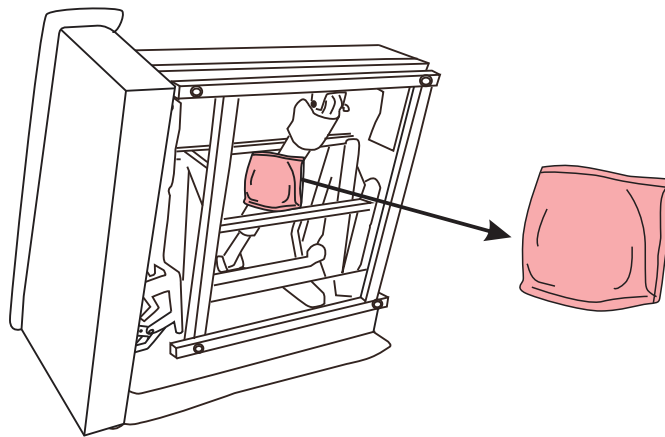


Assembly Instructions

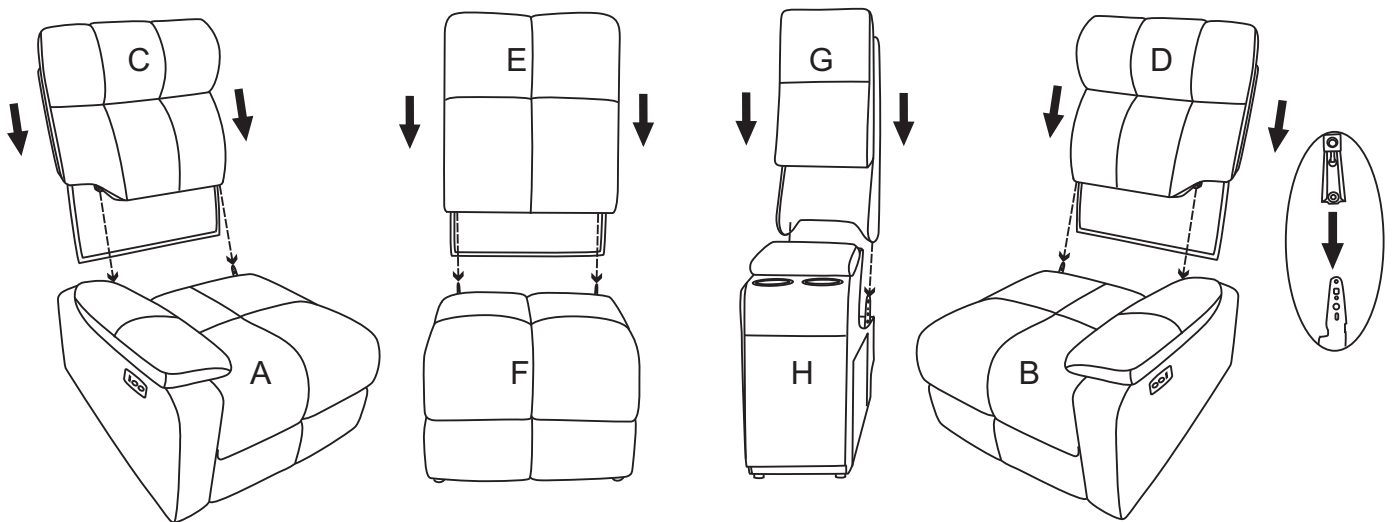


Step 1



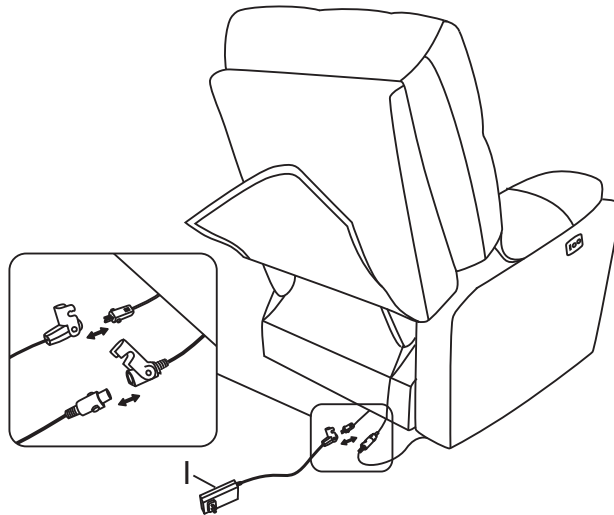
Take out a small package. This small package contains accessories I.
If this small package is lost during transportation, please email us.

Step 2



Connect the chair backrest(C/D/E/G)to the chair seat(A/B/F/H)by aligning the metal latches (male brackets) and grooves (female brackets) and sliding the backrest down to the bottom. Push down on the top of the back to lock the back into position. You will hear a click from each side of the backrest to ensure the back is locked properly.

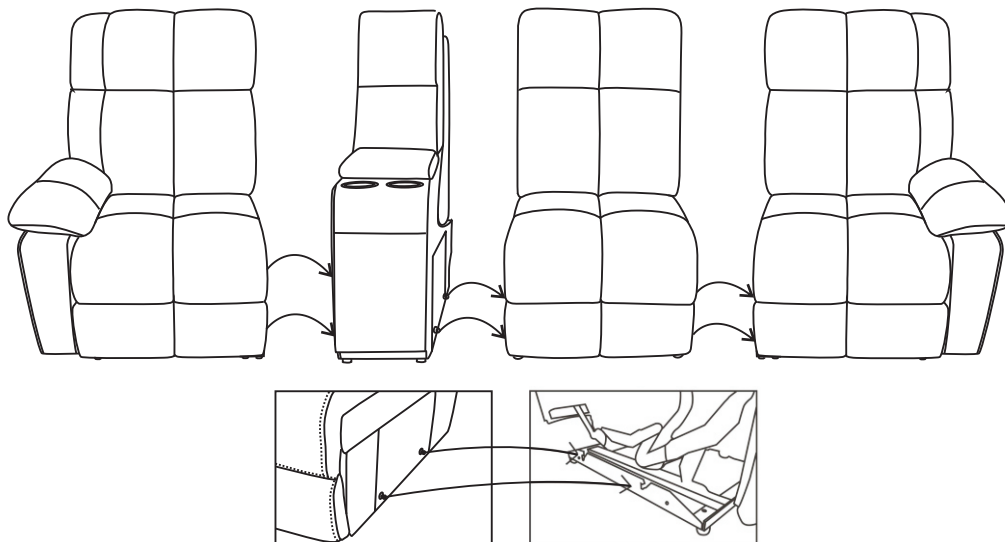
Step 3



NO.1 wire connects the power cord(I).

NO.2 wire connects the motor wire from the right armrest to the lift/recline remote.

Step 4



Connect all the seats or components by aligning the metal latches (male brackets) and grooves (female brackets) down to the bottom. Push down on the top of the back to lock into position.

