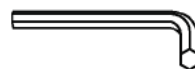


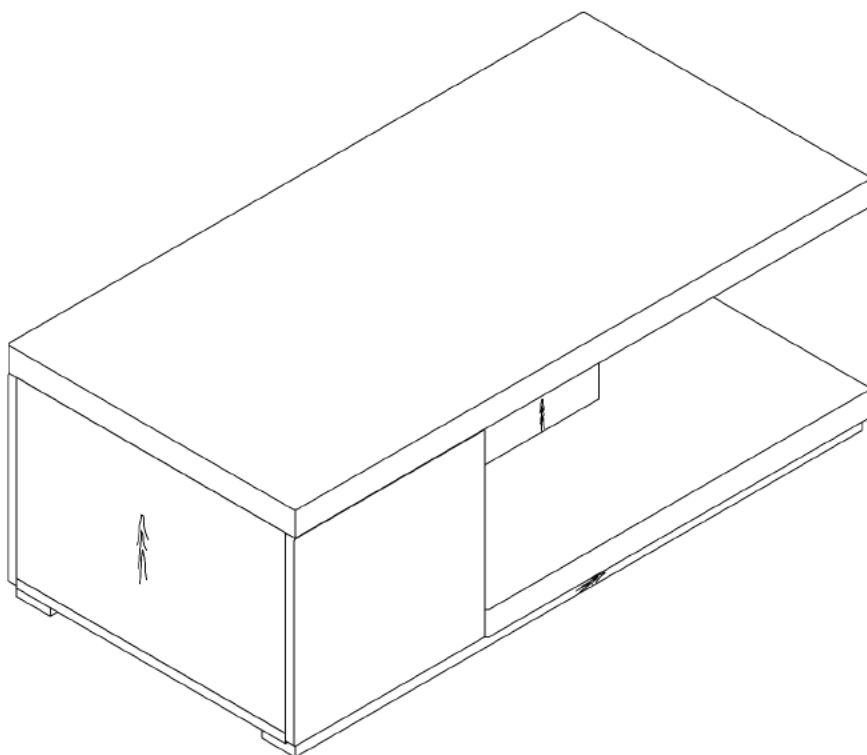
ASSEMBLY INSTRUCTIONS

TOOLS REQUIRED



Allen Wrench

(Included)



2 - Persons
Recommended

ASSEMBLY RATING



EASY ————— DIFFICULT

The Assembly Rating is a 5-point system showing the level of effort needed to assemble a specific product.



CHECK BEFORE STARTING

Are you missing anything?

Double-check all parts, hardware and accessories listed on Page 6 are accounted for.

Check out our Quick Tips!

We recommend reviewing the pre-assembly handouts. Even experts need a refresher now and then!

Should we send any replacements?

Are there any irregularities or flaws in the parts? We can send replacements!

Prep Time!

Please review the assembly instructions and all diagrams prior to assembling. Arrange parts as recommended on Page 7 and group identical hardware together to make assembling easier.

PRE ASSEMBLY INTRODUCTION

We understand building ready-to-assemble furniture can be a challenging experience for some. To help avoid confusion, we have provided some helpful tips that may speed up the process.



Teamwork

ALWAYS have at least two people to help with transporting and assembling the product to avoid potential injury and/or damage.



Suitable Location

Assembling near the area of the intended location is highly recommended.



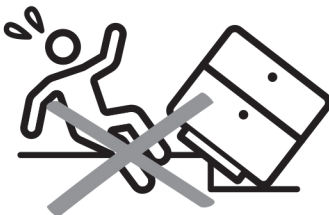
Sufficient Space

Make sure you have enough space to move around during the assembly.



Avoid Scratches

Use cardboard, blankets or a carpeted area while assembling furniture to prevent scratches.



Flat Surface

Make sure the furniture rests on a flat and level surface with each leg evenly touching the floor.

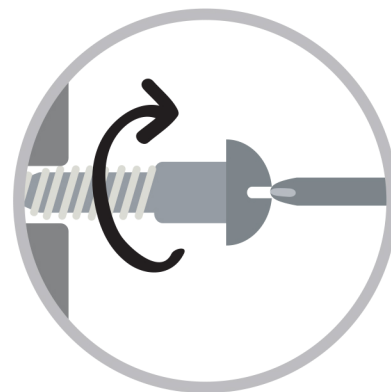
ASSEMBLY AND CARE ADVICE



FAILURE TO FOLLOW THE GUIDELINES BELOW MAY RESULT IN INJURY AND/OR PROPERTY DAMAGE.



Position each part correctly and insert screws or bolts into their respective holes.



Turn clockwise to tighten and only tighten when step is completed or when instructed to do so.



Use the appropriate hand tools or power tools for assembly. Select steps, such as tightening screws and/or bolts, may require hand tools to avoid causing damage during assembly.



Save the instructions and store any supplied tools for later maintenance.



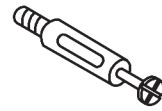
After two weeks, check and tighten any loose hardware and repeat again every six months thereafter.

IT IS THE USER'S RESPONSIBILITY TO MAINTAIN THE FURNITURE. THE HARDWARE MAY LOOSEN OVER TIME AND MAY CAUSE THE FURNITURE TO BE WOBBLY AND UNABLE TO SUPPORT ITS INTENDED WEIGHT CAPACITY. THIS MAY LEAD TO COLLAPSE AND MAY CAUSE SERIOUS INJURY.

CAM LOCK FASTENER ASSEMBLY INSTRUCTIONS

Note :

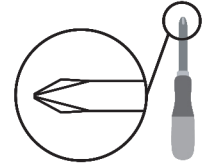
Every cam lock bolt must have a cam lock connector in order to fasten the parts together.



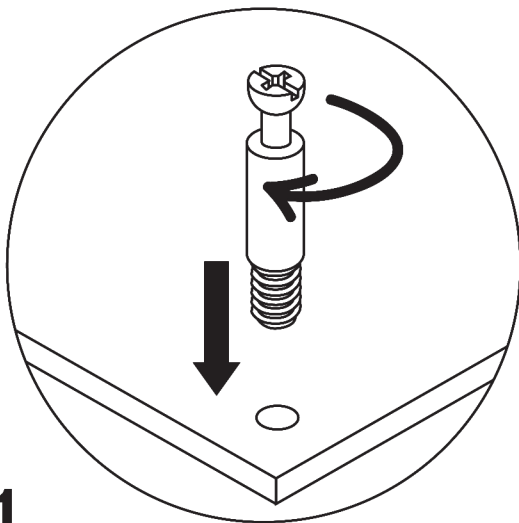
cam bolt



cam lock

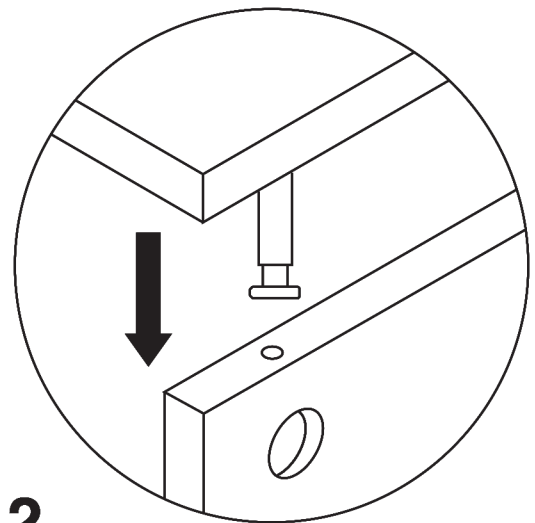


screwdriver



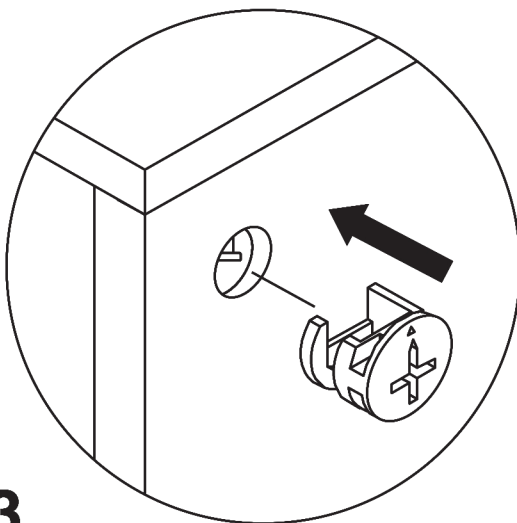
1

Screw the cam bolt into panel.



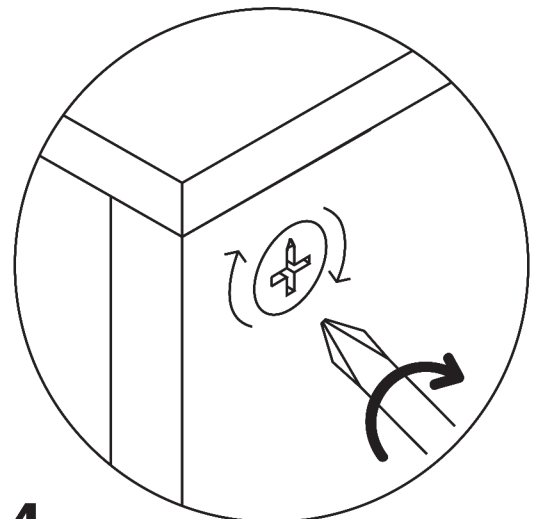
2

Insert the cam bolt into the bolt hole of joint panel.



3

Align the cam lock with its side opening (or arrow) pointing to cam bolt.



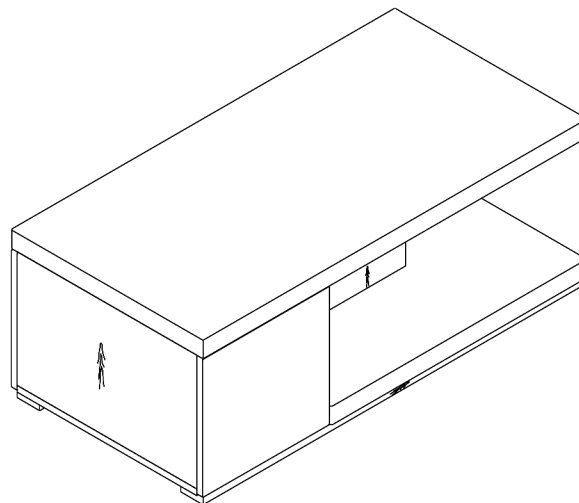
4

Turn the cam lock clockwise gently until it will not turn any more.

COFFEE TABLE

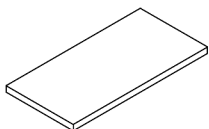


- Please keep instructions for future reference.
- Check the quantity and irregularity of parts and hardware before you start.



PARTS

#1 1pc



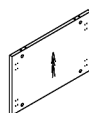
Wooden Top

#2 2pcs



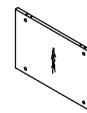
Cabinet door

#3 1pc



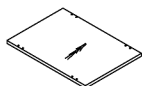
Left post board

#4 1pc



Right post board

#5 1pc



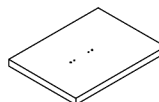
Left-bottom board

#6 1pc



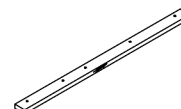
Post board- small

#7 1pc



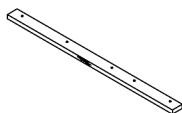
Right-bottom board

#8 1pc



Supporting batten-front

#9 1pc

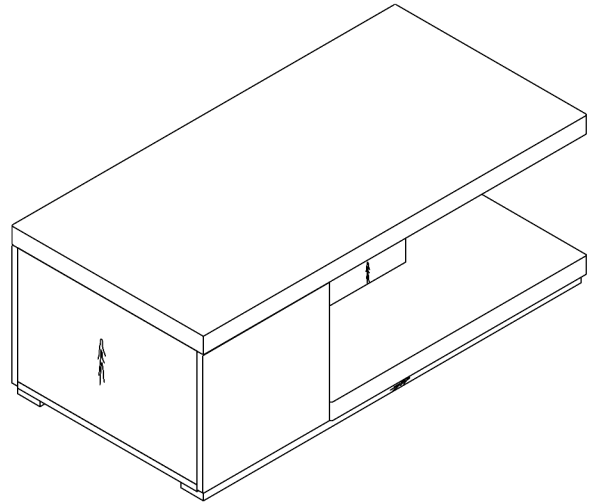


Supporting batten-back

COFFEE TABLE



- Please keep instructions for future reference.
- Check the quantity and irregularity of parts and hardware before you start.



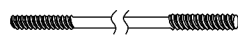
HARDWARE

#A 10pcs



Bolt 1/4" X 1-5/8"

#B 2pcs



Rod 1/4"x16-1/8"

#C 2pcs



Washer

#D 2pcs



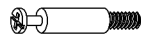
Nut M6

#E 12pcs



Wood Dowel Ø6x30

#F 8pcs



Cam Bolt M6x40

#G 8pcs



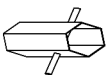
Cam Lock Ø14.5x11

#H 6pcs



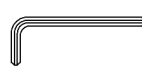
Adjustable Foot
M6 x 16

#I 1pc



Socket Wrench M6

#J 1pc



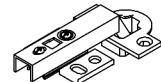
Allen Wrench M4

#K 24pcs



Screw M4

#L 4pcs

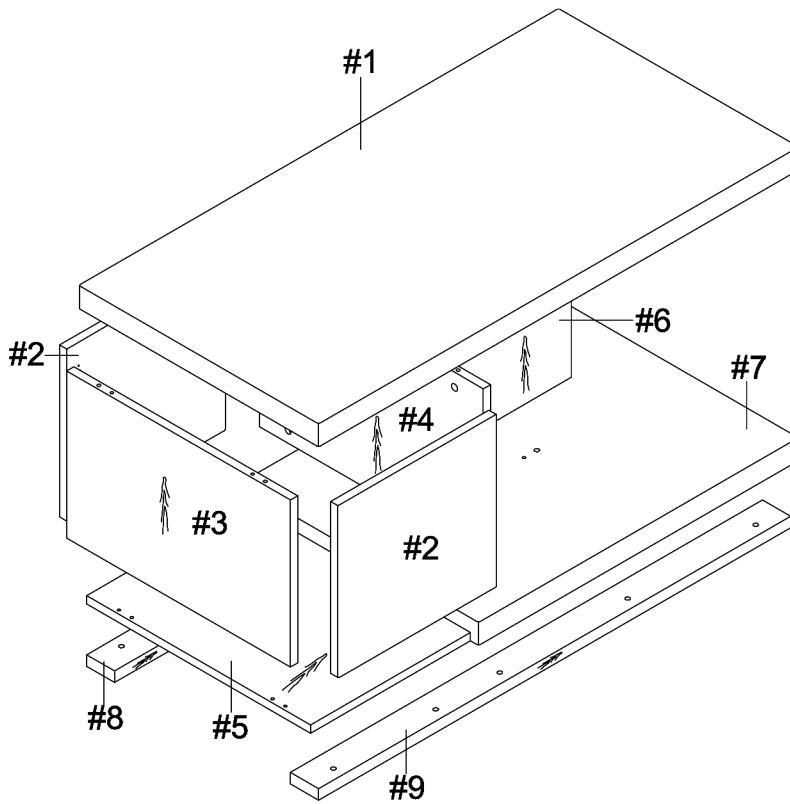


Pipe hinge

ASSEMBLY INSTRUCTIONS

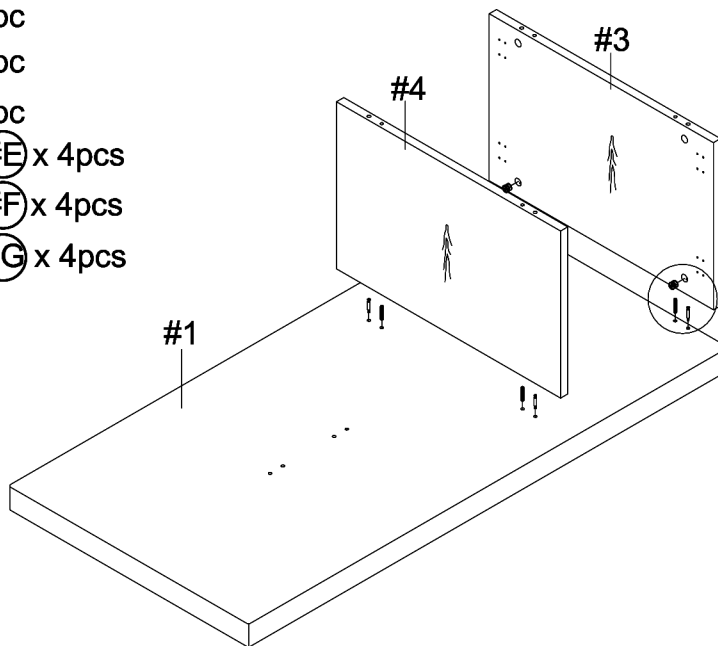
Exploded View

1



2

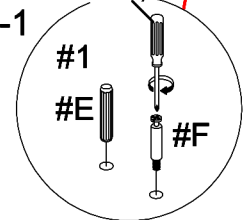
- Part #1 x 1pc
- Part #3 x 1pc
- Part #4 x 1pc
- Hardware #E x 4pcs
- Hardware #F x 4pcs
- Hardware #G x 4pcs



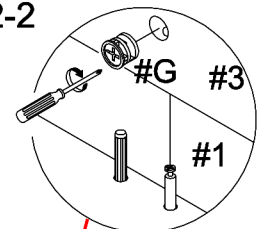
1) Attach dowels (#E) and cam bolts (#F) to top (#1).

SCREWDRIVER
(NOT PROVIDED)

2-1



2-2

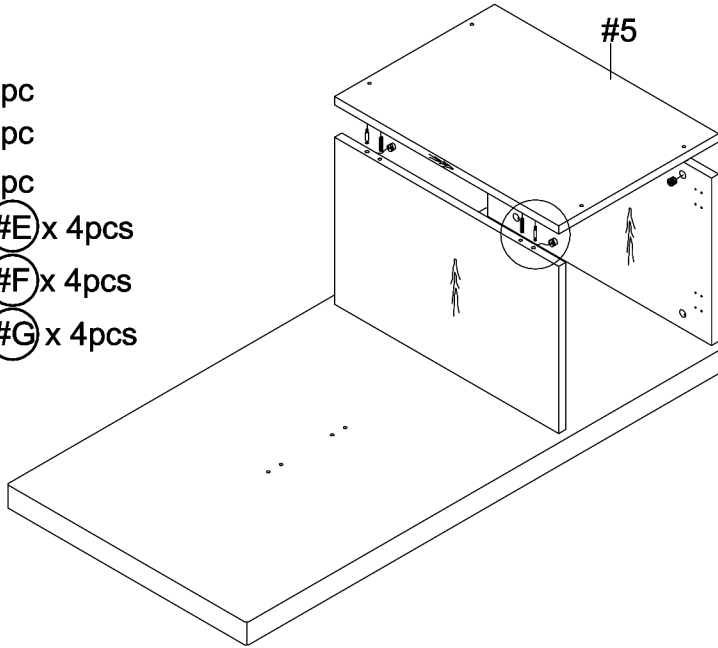


2) Align post boards (#3,4) to the top (#1), then secure by using cam locks (#G).

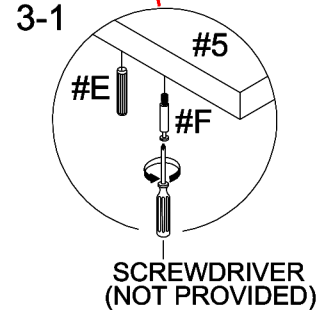
ASSEMBLY INSTRUCTIONS

3

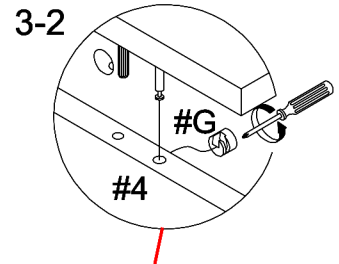
- Part #3 x 1pc
- Part #4 x 1pc
- Part #5 x 1pc
- Hardware #E x 4pcs
- Hardware #F x 4pcs
- Hardware #G x 4pcs



1) Attach dowels (#E) and cam bolts (#F) to left bottom board (#5).



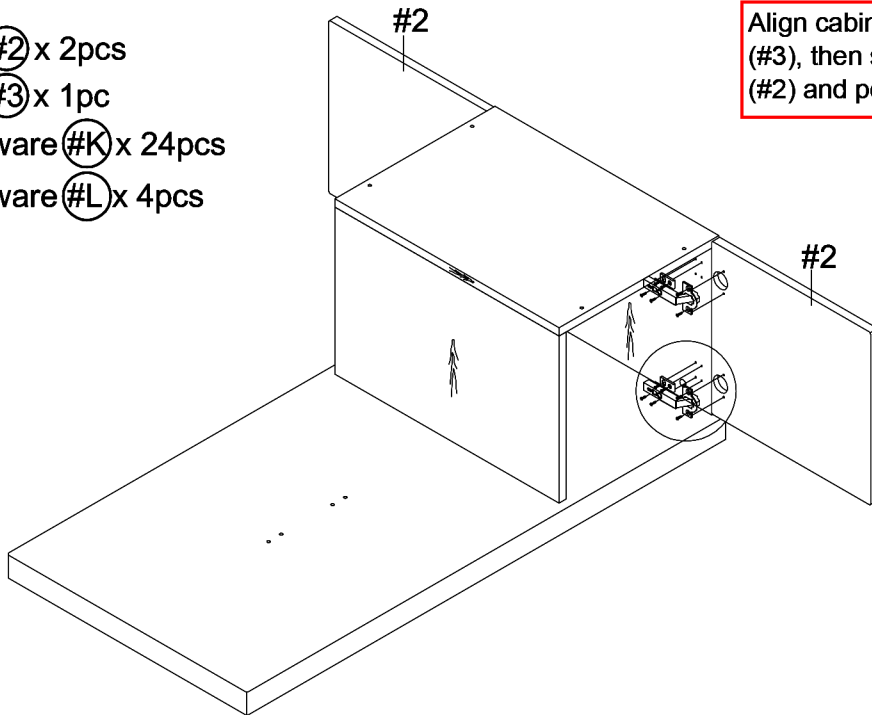
SCREWDRIVER (NOT PROVIDED)



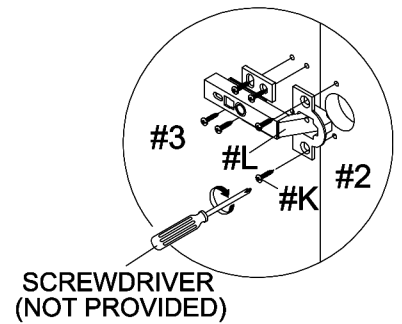
2) Align left bottom board (#5) to post boards (#3, #4), then secure by using cam locks (#G).

4

- Part #2 x 2pcs
- Part #3 x 1pc
- Hardware #K x 24pcs
- Hardware #L x 4pcs



Align cabinet doors (#2) to the post board (#3), then secure hinges (#L) onto doors (#2) and post (#3) by using screws (#K).

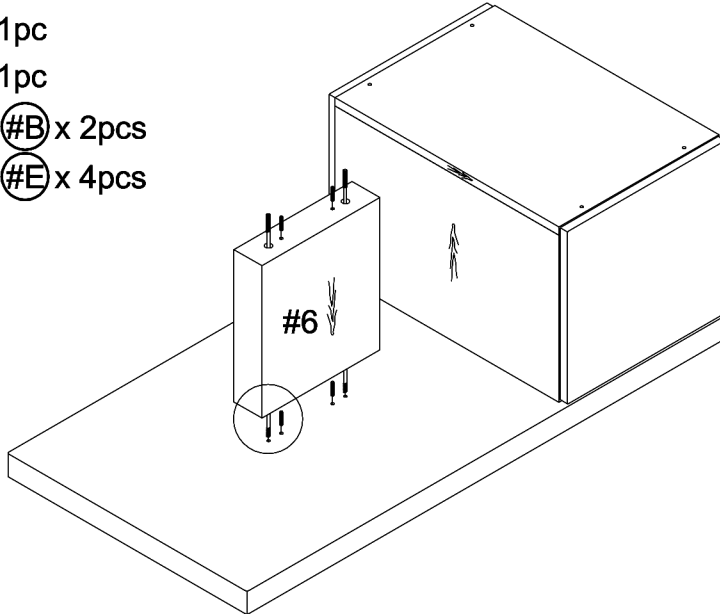


SCREWDRIVER (NOT PROVIDED)

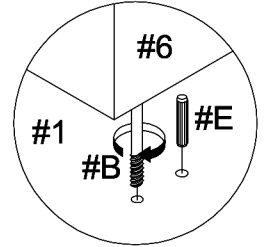
ASSEMBLY INSTRUCTIONS

5

- Part #1 x 1pc
- Part #6 x 1pc
- Hardware #B x 2pcs
- Hardware #E x 4pcs

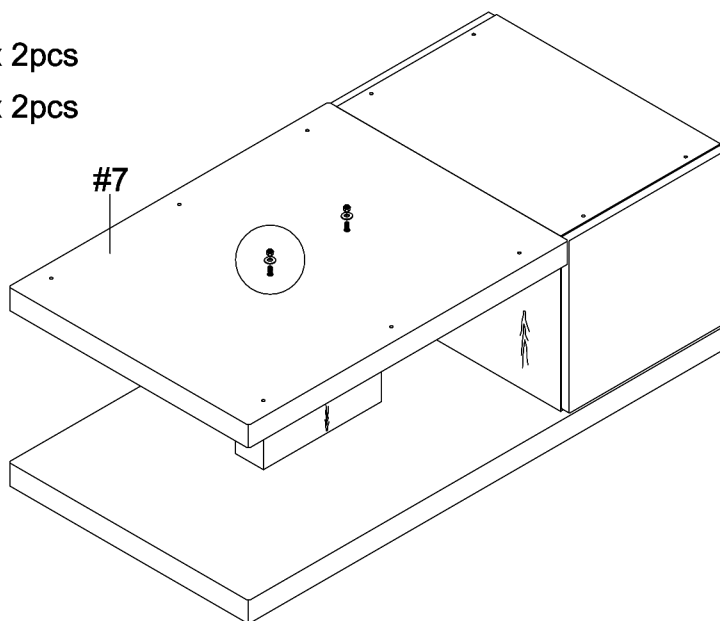


Attach dowels (#E) and rods (#B) to the top (#1), then align small post board (#6) to top (#1).

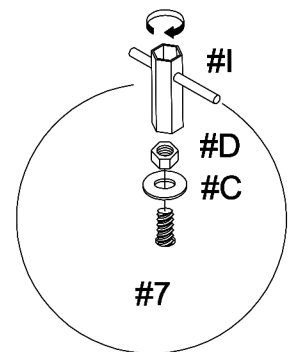


6

- Part #6 x 1pc
- Part #7 x 1pc
- Hardware #C x 2pcs
- Hardware #D x 2pcs



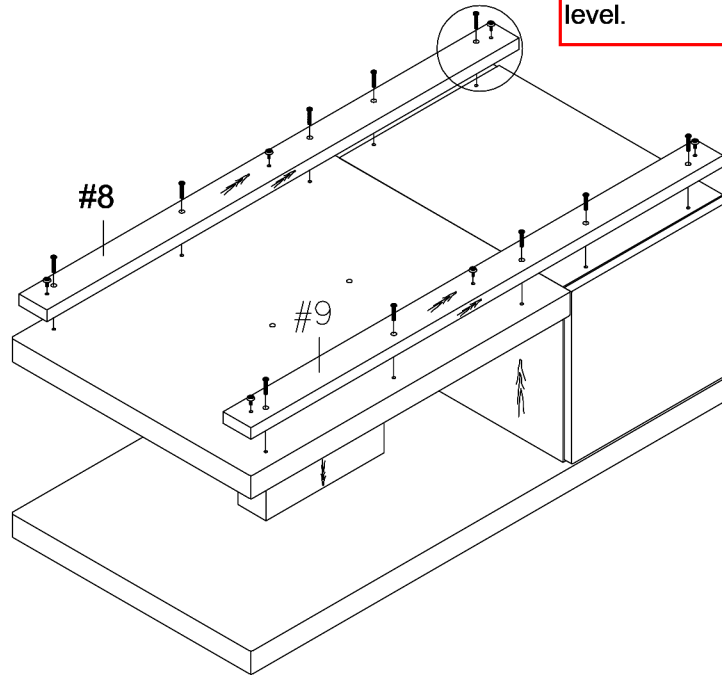
Align right bottom board (#7) to the small post board (#6), then secure by using hex nuts (#D) with washers (#C).



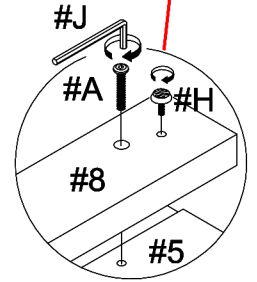
ASSEMBLY INSTRUCTIONS

7

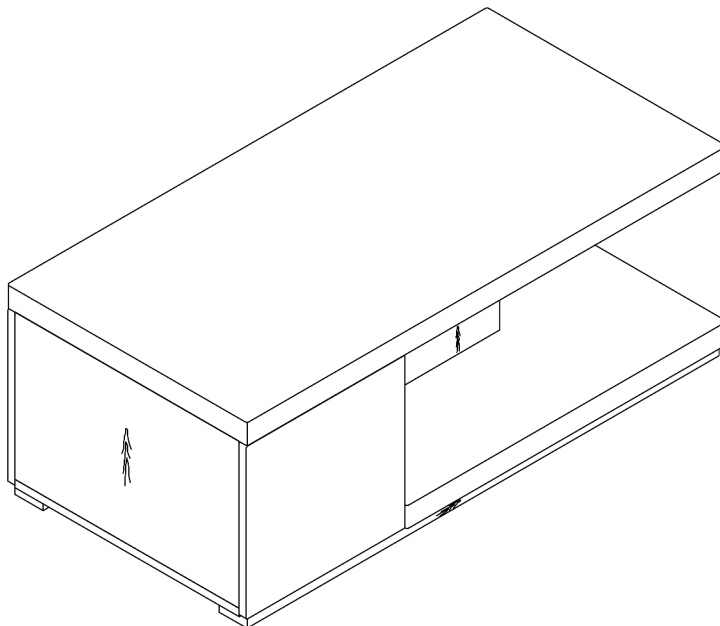
- Part (#5) x 1pc
- Part (#7) x 1pc
- Part (#8) x 1pc
- Part (#9) x 1pc
- Hardware (#A) x 10pcs
- Hardware (#H) x 6pcs



Align supports (#8,9) to the product, then secure by using bolts (#A). Attach adjustable feet (#H) to the supports (#8,9), then adjust the feet according to ground level.



8



ASSEMBLY COMPLETED



Please ensure the furniture rests on an even and flat surface. If the product wobbles or feels loose, double-check all bolts and/or screws are properly tightened and secured.



Keep this handy!

Please retain this instruction manual and any order-related information for future reference.