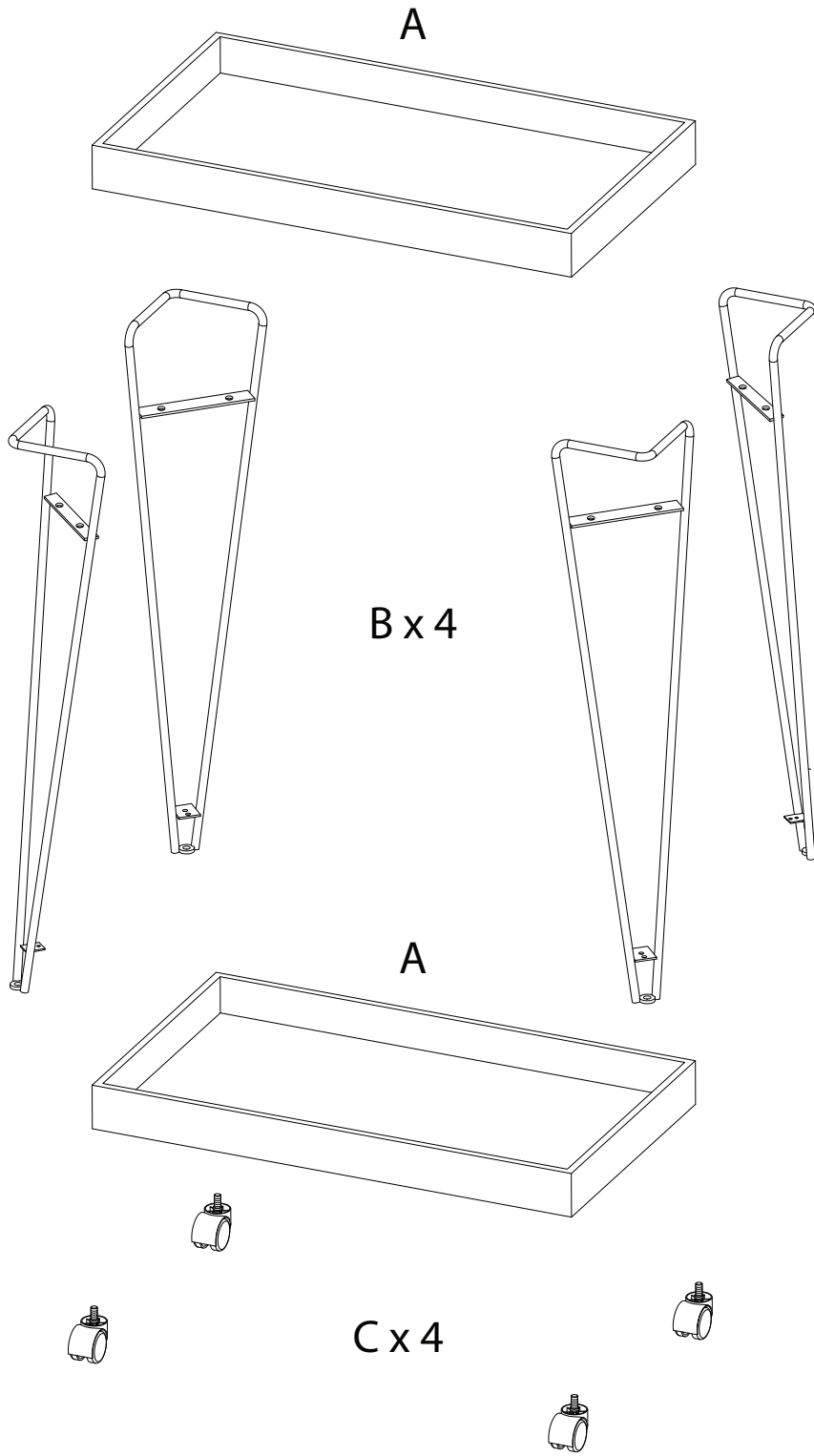
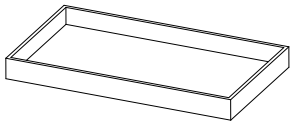

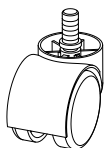
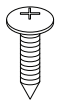


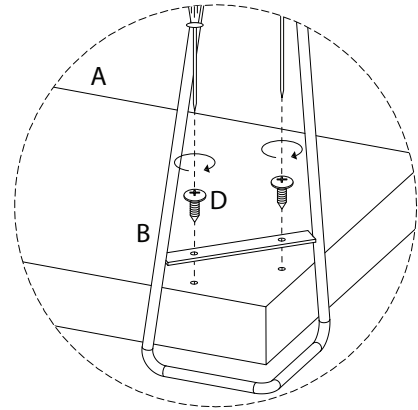
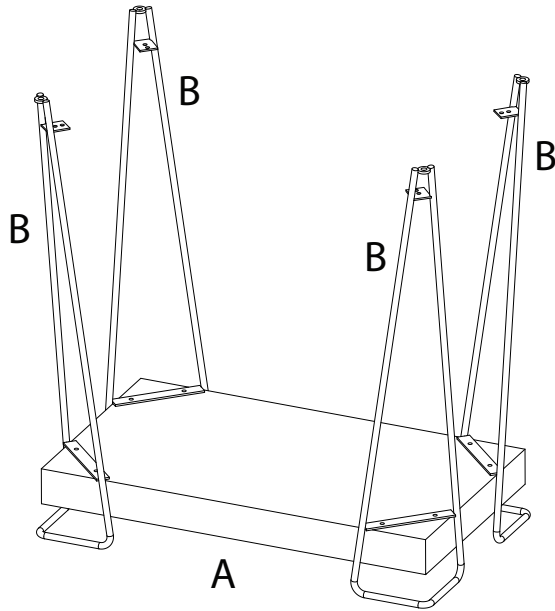
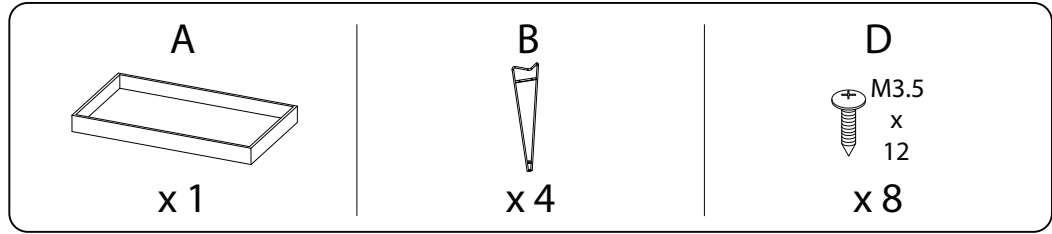
10'

2

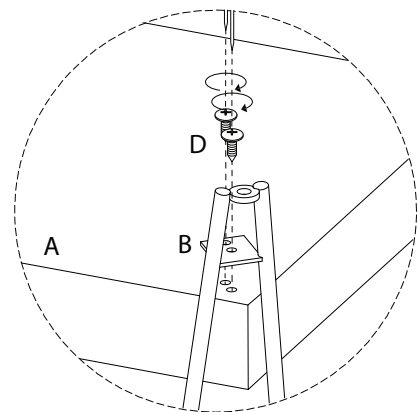
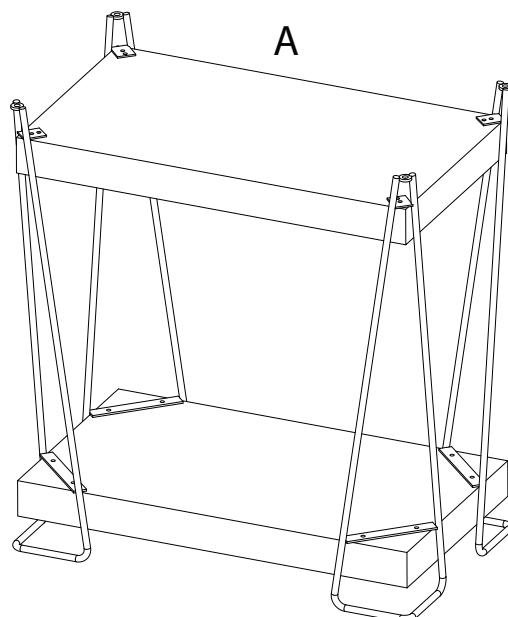
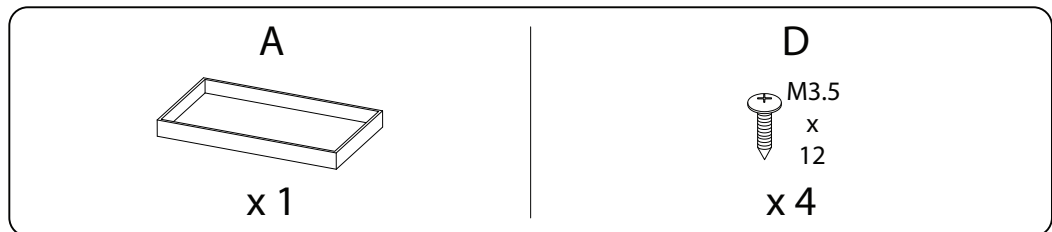


A	B	C	D
			 <p>M3.5 x 12</p>
x 2	x 4	x 4	x 12

1

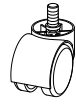


2



3

C



x 4

A

