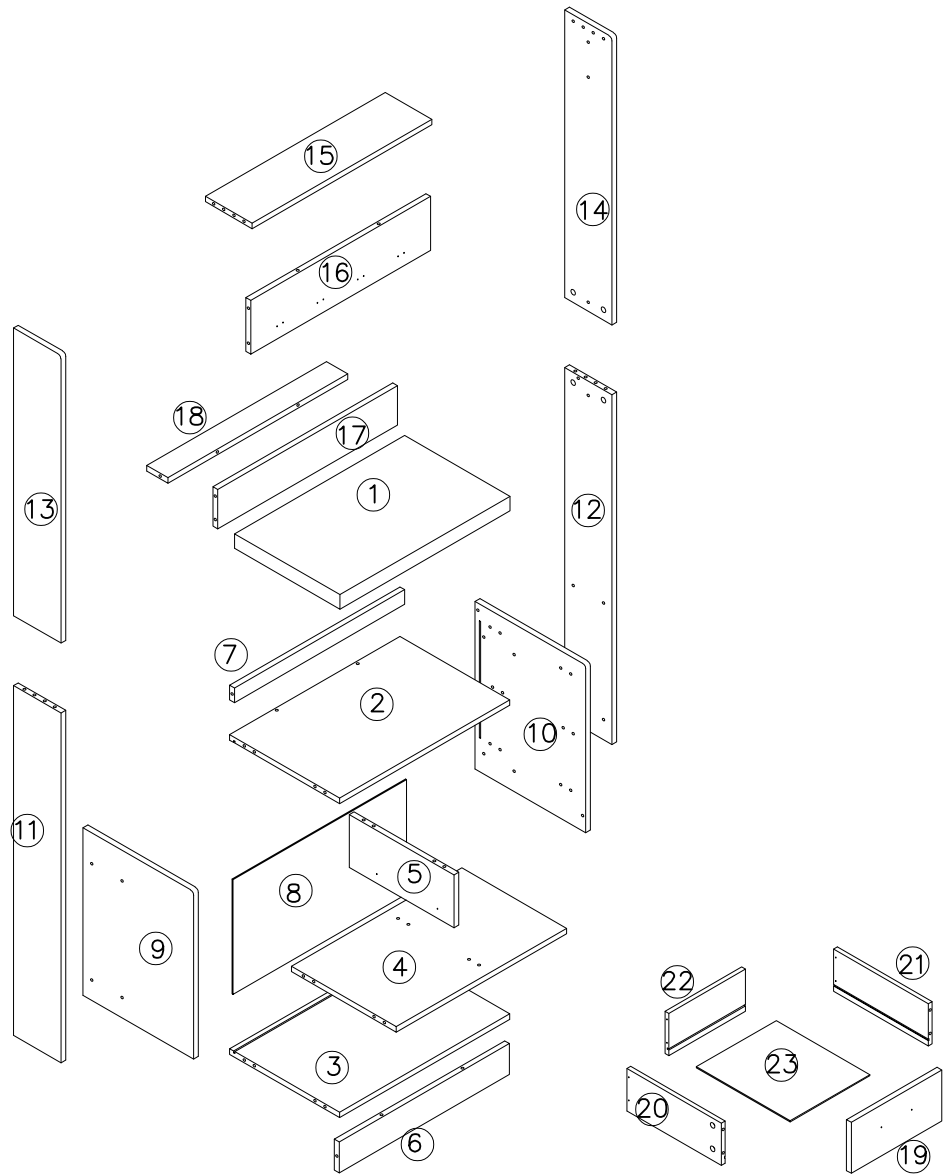


INSTRUCTION MANUAL



ASSEMBLY INSTRUCTIONS

Carefully unpack all the components and verify that all the necessary parts are included as listed in the packaging.

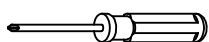
Identify each component and refer to the provided assembly diagram or step-by-step instructions.

Assemble the furniture in the order specified to ensure proper alignment and fit.

Use the provided tools or recommended tools for assembly. Do not use excessive force when tightening screws or bolts.


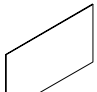

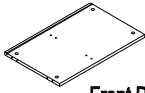
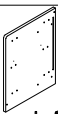

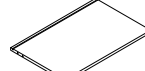

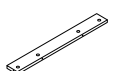
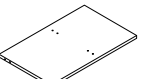

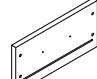
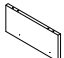

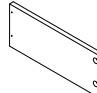
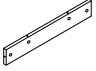

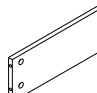
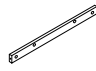

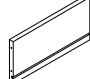
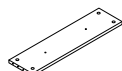
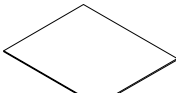
If any difficulties arise during assembly, consult the troubleshooting section or contact our customer support.

Tools Required

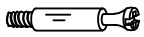

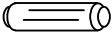










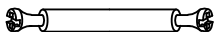

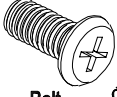
Screwdriver






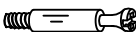
Board parts List

NO.	PICTURE	QTY	NO.	PICTURE	QTY	NO.	PICTURE	QTY
①	 Stationary Ladle	1	⑧	 Lower Back Panel	1	⑯	 Upper Cross Strip	1
②	 Front Panel	1	⑨	 Lower Inner Left Side Panel	1	⑰	 Center Cross Strip	1
③	 Bottom Panel	1	⑩	 Lower Inner Right Side Panel	1	⑱	 Back Cross Strip	1
④	 Fixed Shelf	1	⑪	 Lower Left Side Panel	1	⑲	 Drawer Front Panel	1
⑤	 Neutral Board	1	⑫	 Lower Right Side Pane	1	⑳	 Left Drawer Side Pane	1
⑥	 Skirting board	1	⑬	 Upper Left Side Panel	1	㉑	 Right Drawer Side Panel	1
⑦	 Front Upper Cross Strip	1	⑭	 Upper Right Side Panel	1	㉒	 Drawer Back Panel	1
			⑮	 Upper Roof Panel	1	㉓	 Drawer Bottom Panel	1

Hardware parts List



NO.	PICTURE	QTY
(A)	 2-in-1 Bolt $\Phi 6*33$	42+1
(B)	 2-in-1 Nut $\Phi 15*12$	54+1
(C)	 Wooden Dowel $\Phi 8*30$	24+1
(D)	 Self-tapping Screw $\Phi 3.5*12$	20+1
(E)	 Self-tapping Screw $\Phi 3.5*30$	4+1
(F)	 Pull Handle	1
(G)	 Pull Handle Bolt $M4*18mm$	2+1




NO.	PICTURE	QTY
(CL)	 Left Cabinet Slide Rail 300mm	1
(CR)	 Right Cabinet Slide Rail 300mm	1
(DL)	 Left Drawer Slide Rail 300mm	1
(DR)	 Right Drawer Slide Rail 300mm	1
(I)	 Double Headed Bolt L=48	4+1
(J)	 2-in-1 Nut $\Phi 15*10$	4+1
(K)	 Bolt $\Phi 6*25$	8+1

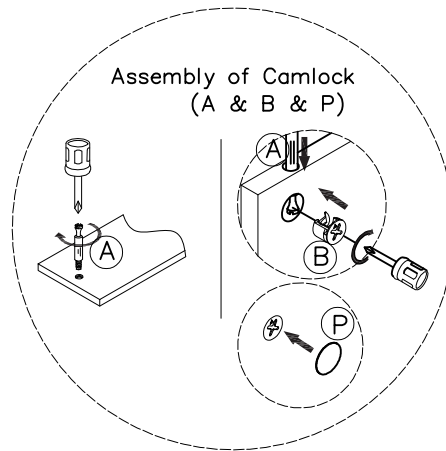
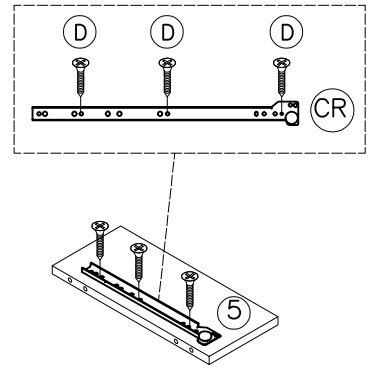
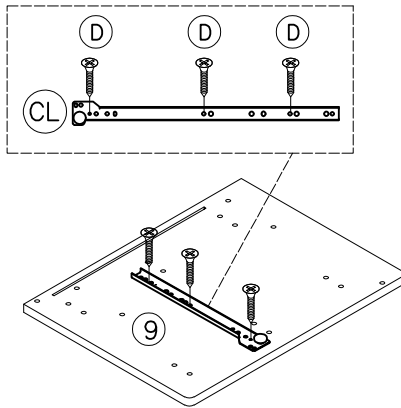
NO.	PICTURE	QTY
(L)	 Anti-tipping Hardware	2
(M)	 Self-tapping Screw	4+1
(N)	 Connect the iron sheets	1
(O)	 Back Panel Fastener	4+1
(P)	 Perfect Post	54+1
(Q)	 2-in-1 Bolt $\Phi 6*26$	4+1

ASSEMBLY INSTRUCTIONS





STEP 1

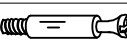



	
Lower Inner Left Side Panel	
(9)	X1
	
Neutral Board	
(5)	X1

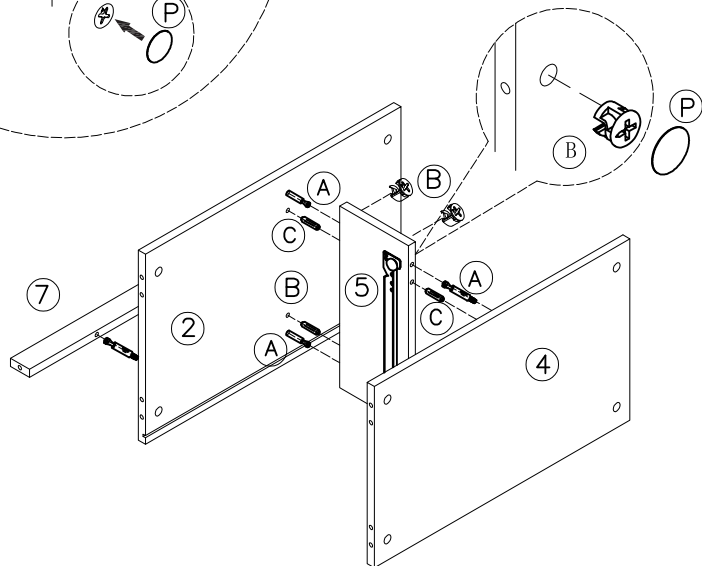
	
Left Cabinet Slide Rail	
(CL)	X1
	
Right Cabinet Slide Rail	
(CR)	X1
	
Self-tapping Screw	
(D)	X6





STEP 2

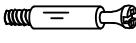


	
Front Panel	
(2)	X1
	
Fixed Shelf	
(4)	X1
	
Neutral Board	
(5)	X1
	
Front Upper Cross Strip	
(7)	X1

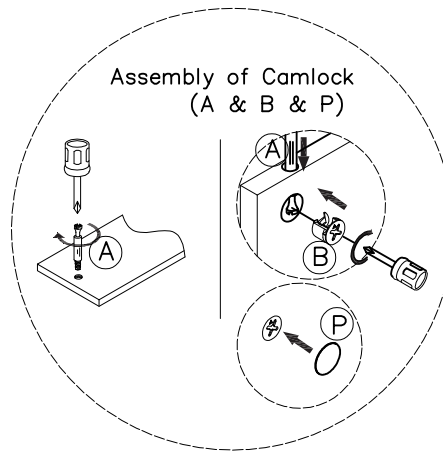
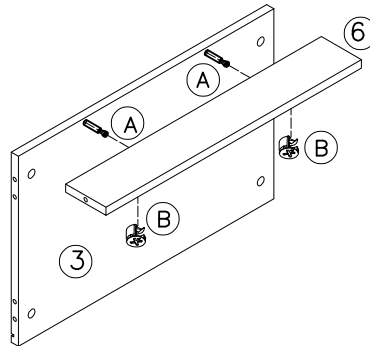
	
2-in-1 Bolt $\Phi 6 \times 33$	
(A)	X6
	
2-in-1 Nut $\Phi 15 \times 12$	
(B)	X6
	
Wooden Dowel $\Phi 8 \times 30$	
(C)	X4
	
Perfect Post	
(P)	X6



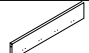
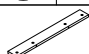
STEP 3

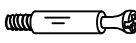


	
Bottom Panel	
③	X1
	
Skirting board	
⑥	X1

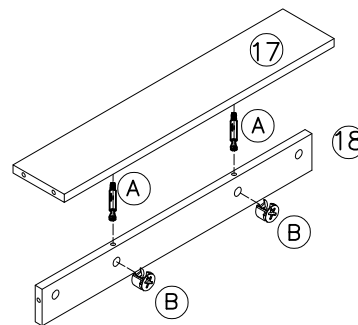
	
2-in-1 Bolt $\Phi 6 \times 33$	
Ⓐ	X2
	
2-in-1 Nut $\Phi 15 \times 12$	
Ⓑ	X2
	
Perfect Post	
Ⓟ	X2





STEP 4

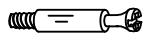


	
Center Cross Strip	
⑰	X1
	
Back Cross Strip	
⑱	X1

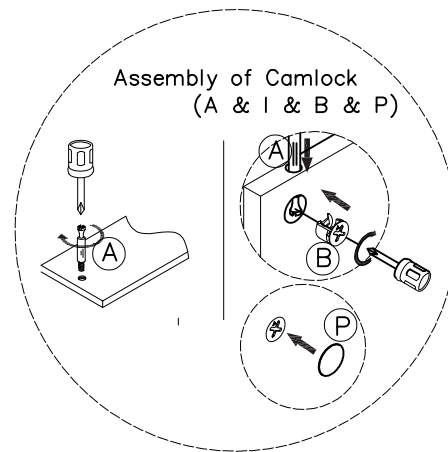
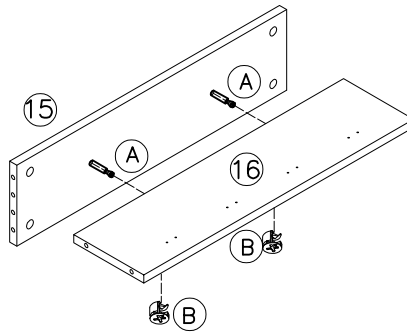
	
2-in-1 Bolt $\Phi 6 \times 33$	
Ⓐ	X2
	
2-in-1 Nut $\Phi 15 \times 12$	
Ⓑ	X2
	
Perfect Post	
Ⓟ	X2






STEP 5






	
Upper Roof Panel	
15	X1
	
Upper Cross Strip	
16	X1

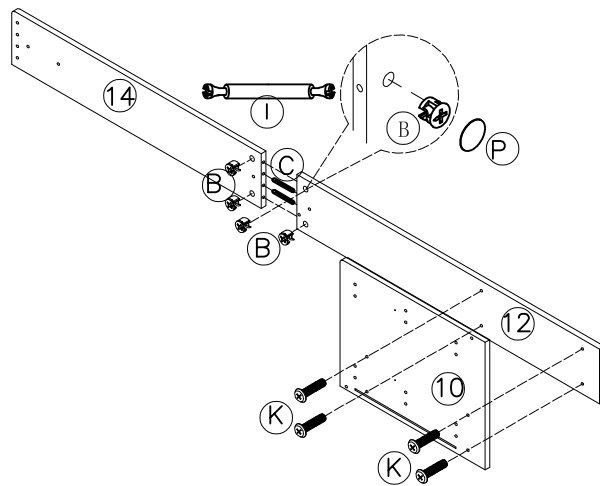
	
2-in-1 Bolt $\Phi 6 \times 33$	
A	X2
	
2-in-1 Nut $\Phi 15 \times 12$	
B	X2
	
Perfect Post	
P	X2



STEP 6

	
Lower Inner Right Side Panel	
10	X1
	
Lower Right Side Pane	
12	X1
	
Upper Right Side Panel	
14	X1

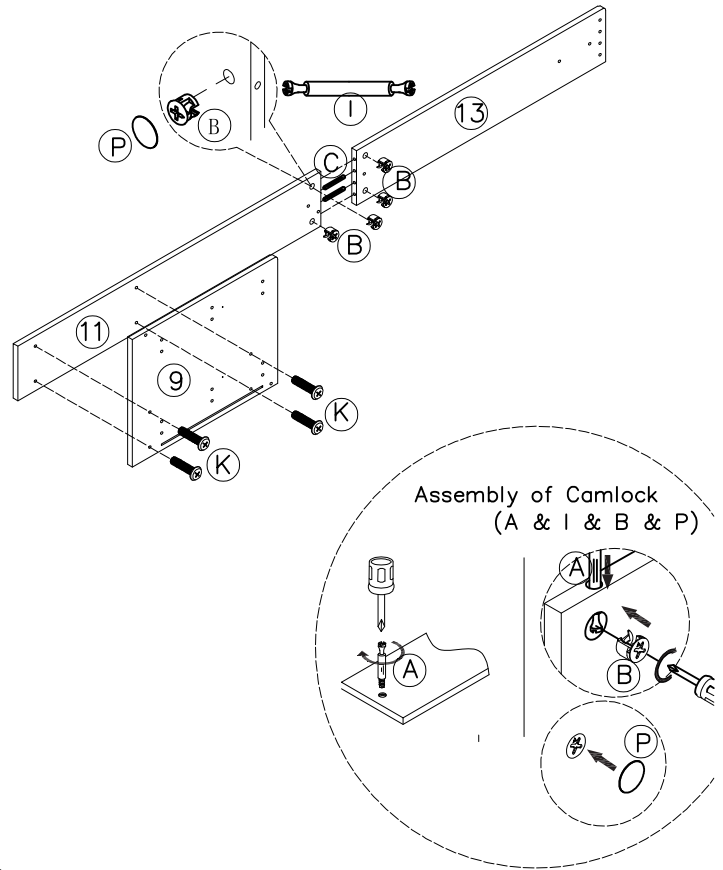
	
Double Headed Bolt L=48	
I	X4
	
2-in-1 Nut $\Phi 15 \times 12$	
B	X4
	
Wooden Dowel $\Phi 8 \times 30$	
C	X2
	
Bolt $\Phi 6 \times 25$	
K	X4
	
Perfect Post	
P	X4



STEP 7

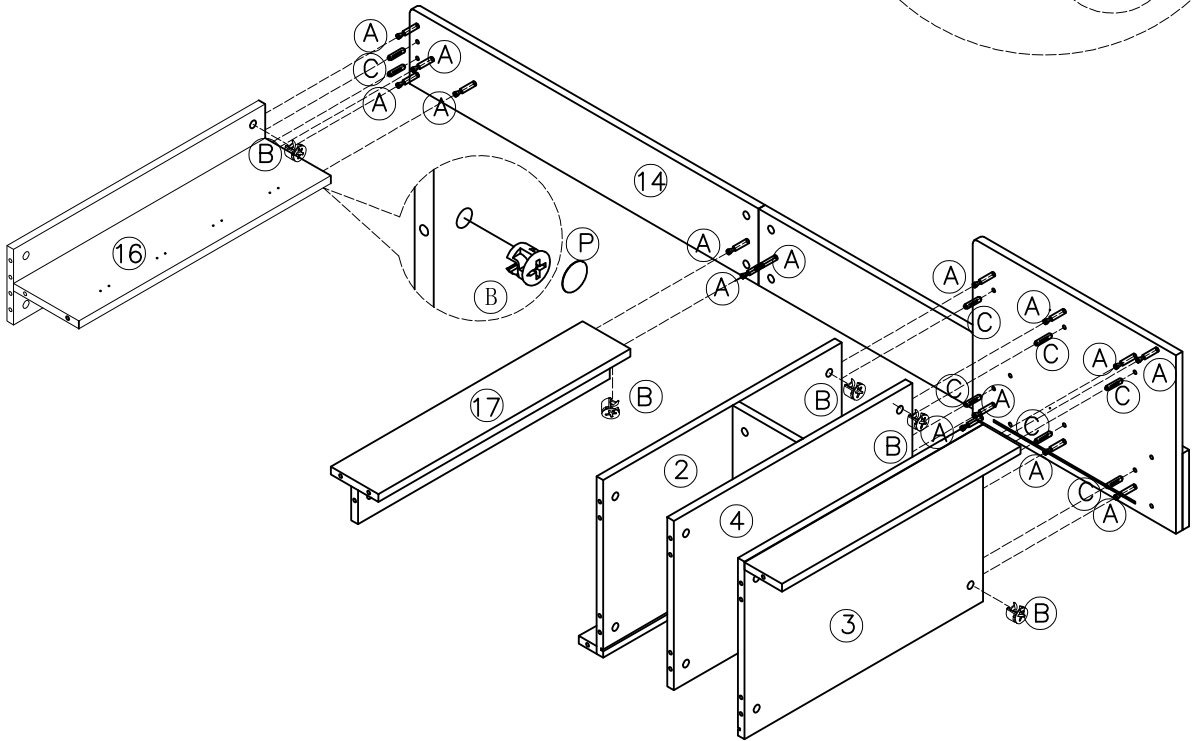
Lower Inner Left Side Panel	
⑨	X1
Lower Left Side Panel	
⑪	X1
Upper Left Side Panel	
⑬	X1

Double Headed Bolt L=48	
①	X4
2-in-1 Nut $\Phi 15 \times 12$	
②	X4
Wooden Dowel $\Phi 8 \times 30$	
③	X2
Bolt $\Phi 6 \times 25$	
④	X4
Perfect Post	
⑤	X4




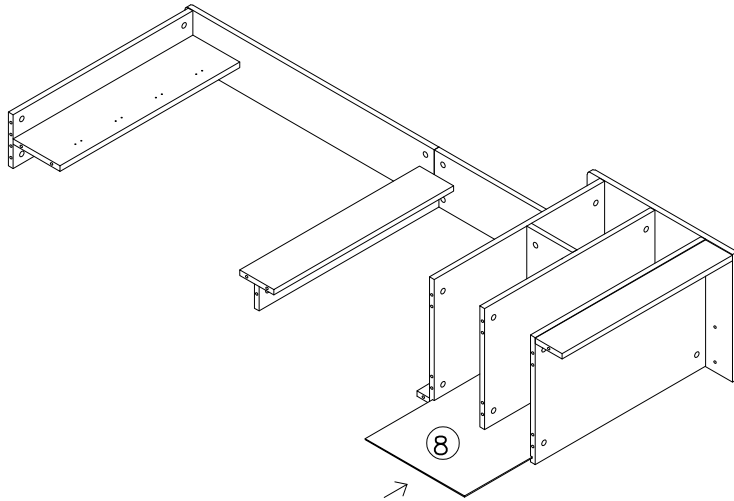
STEP 8

2-in-1 Bolt $\Phi 6 \times 33$	
⑥	X15
2-in-1 Nut $\Phi 15 \times 12$	
⑦	X15
Wooden Dowel $\Phi 8 \times 30$	
⑧	X8
Perfect Post	
⑨	X15

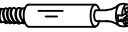





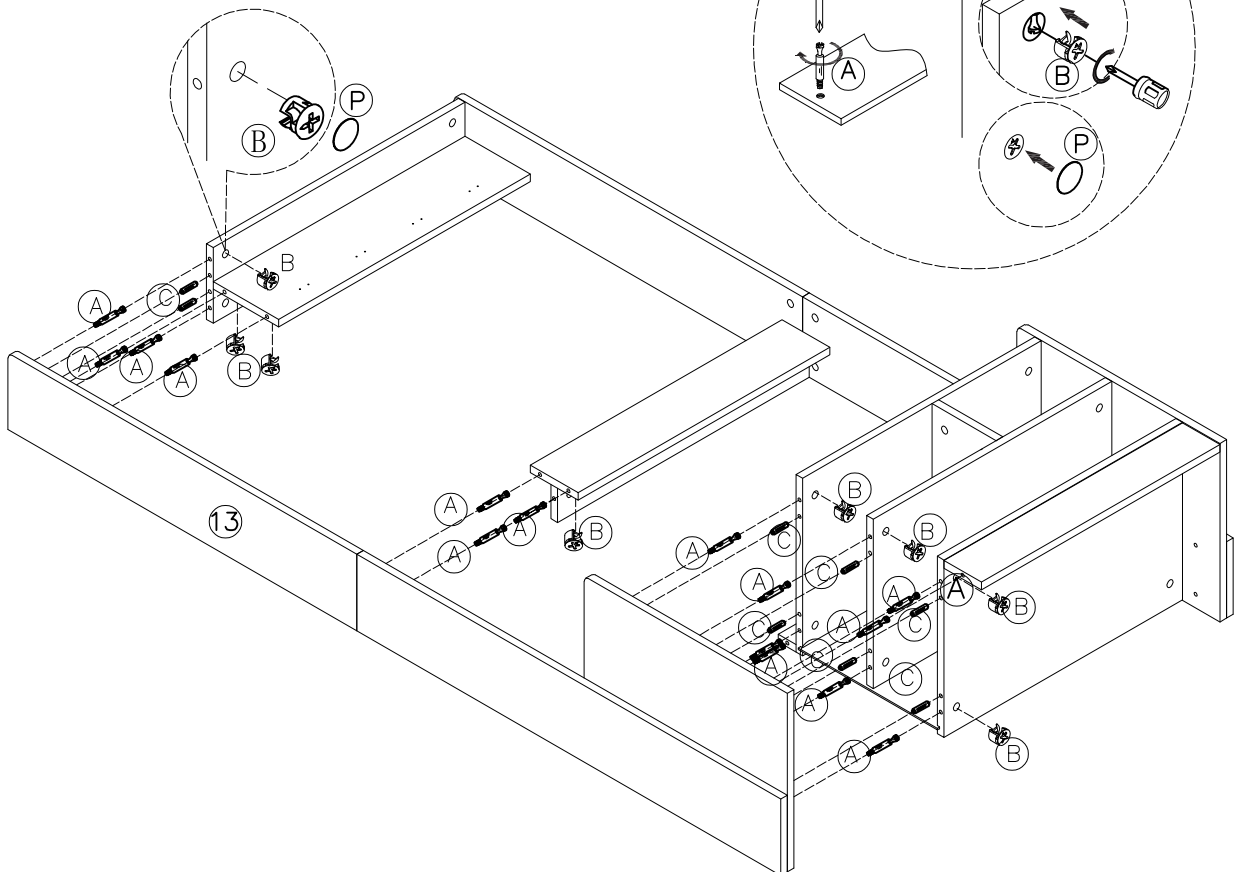
STEP 9

	
Lower Back Panel	
⑧	X1





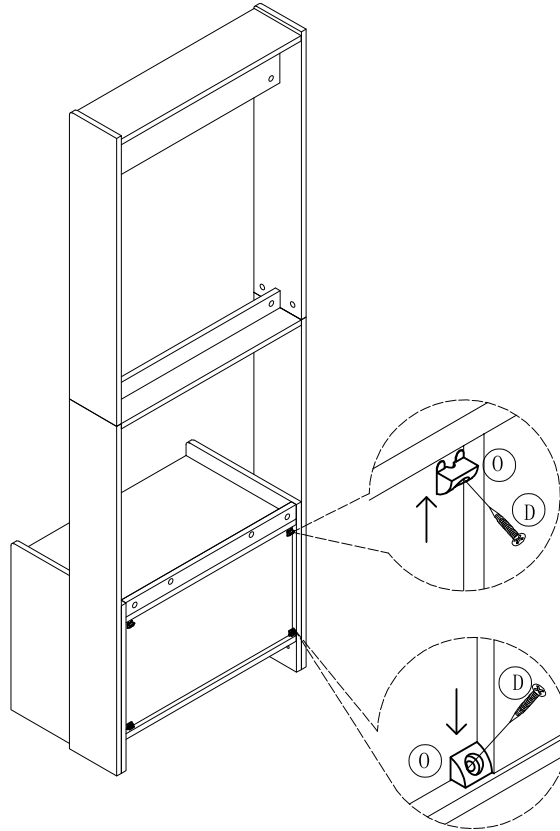
STEP 10

	
2-in-1 Bolt $\Phi 6 \times 33$	
Ⓐ	X15
	
2-in-1 Nut $\Phi 15 \times 12$	
Ⓑ	X15
	
Wooden Dowel $\Phi 8 \times 30$	
Ⓒ	X8
	
Perfect Post	
Ⓟ	X15

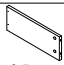




STEP 11

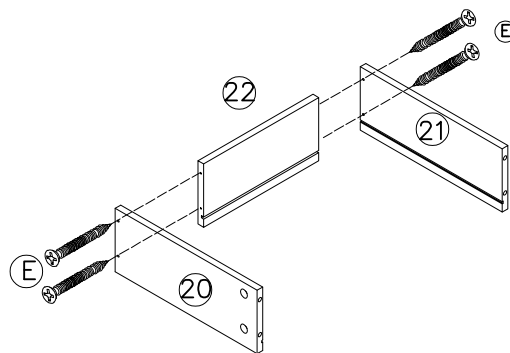
 $\phi 3 \times 12$	
Self-tapping Screw	
(D)	X4
	
Back Panel Fastener	
(O)	X4



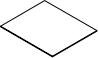
STEP 12

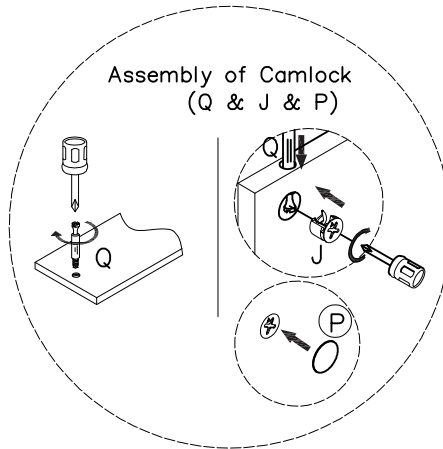
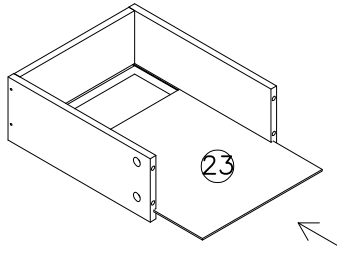
	
Left Drawer Side Panel	
(20)	X1
	
Right Drawer Side Panel	
(21)	X1
	
Drawer Back Panel	
(22)	X1

 $\phi 3.5 \times 30$	
Self-tapping Screw	
(E)	X4




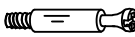




STEP 13

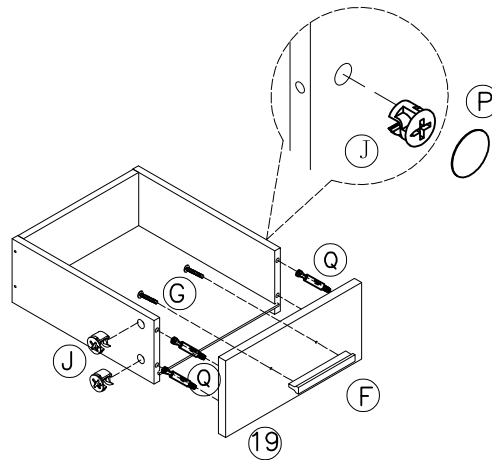
	
Drawer Bottom Panel	
23	X1




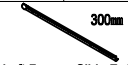

STEP 14

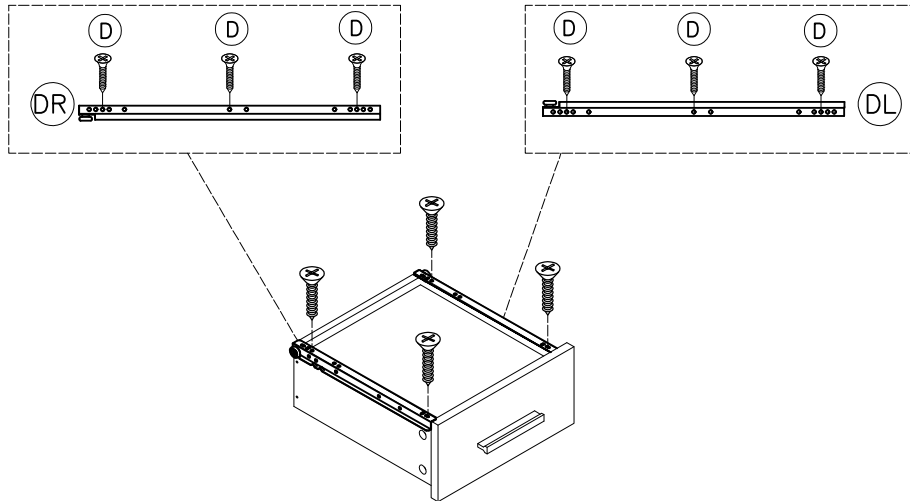
	
Drawer Front Panel	
19	X1

	2-in-1 Bolt $\Phi 6 \times 26$
Q	X4
	2-in-1 Nut $\Phi 15 \times 10$
J	X4
	Pull Handle
F	X1
	M4*20mm Pull Handle Bolt
G	X2
	Perfect Post
P	X4

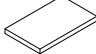


STEP 15

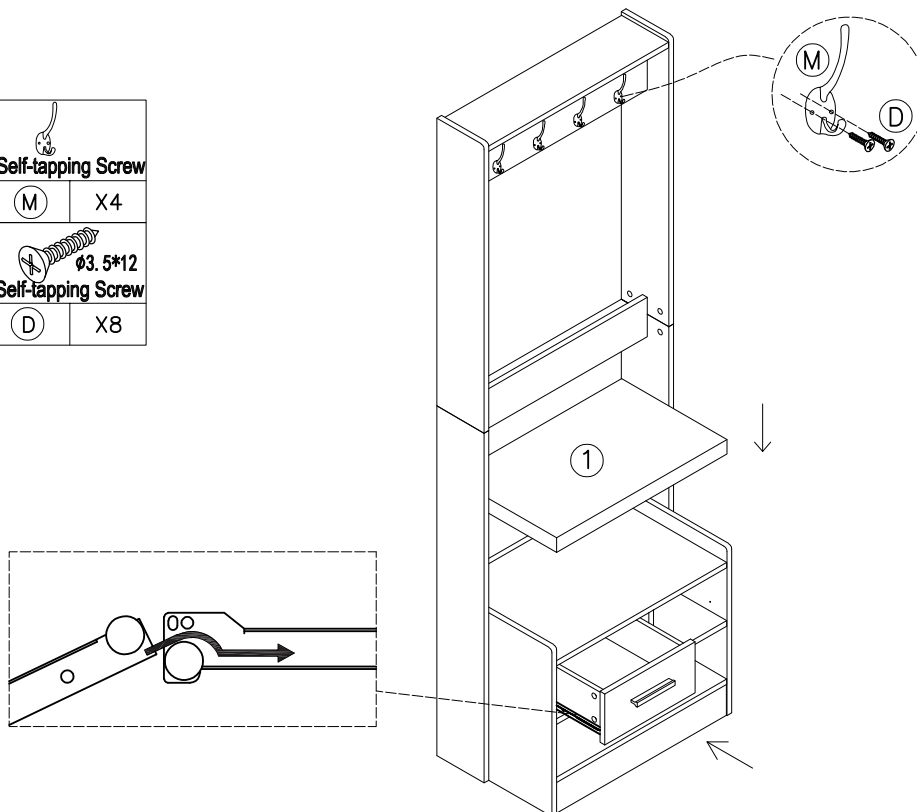
	Ø3.5*12
Self-tapping Screw	
(D)	X6
	300mm
Left Drawer Slide Rail	
(DL)	X1
	300mm
Right Drawer Slide Rail	
(DR)	X1





STEP 16

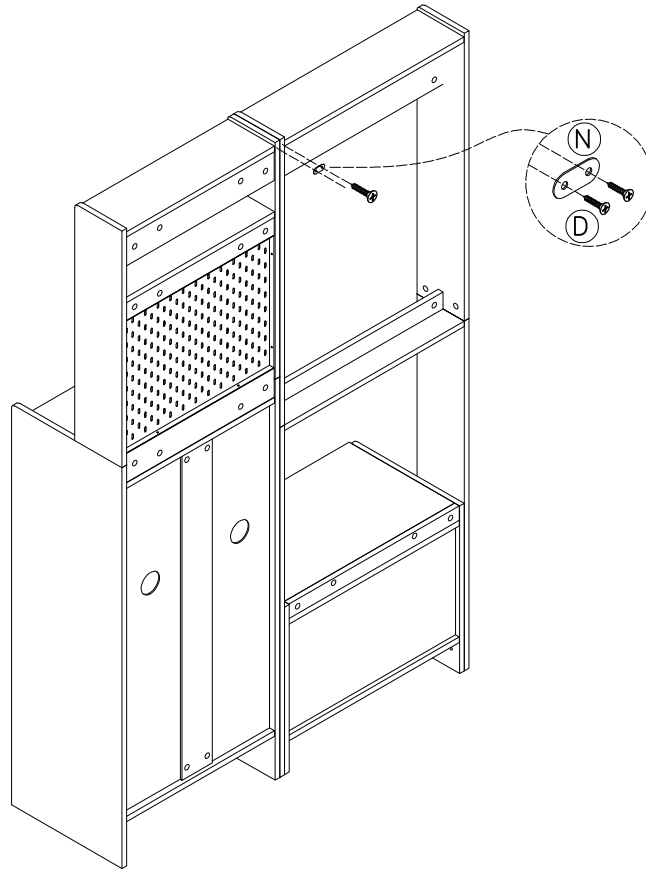
	
Stationary Ladle	
(1)	X1

	
Self-tapping Screw	
(M)	X4
	Ø3.5*12
Self-tapping Screw	
(D)	X8



STEP 17

	Ø3.5*12
Self-tapping Screw	
(D)	X2
	
Connect the iron sheets	
(N)	X1





Important Safety Tips

Important Safety Tips

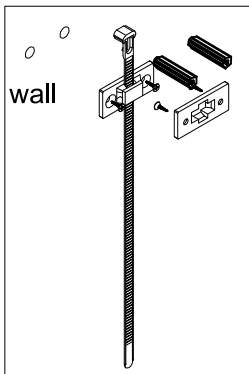
1. This product is a narrow and tall cabinet, which has the possibility of tipping over under undue external force (e.g., children climbing), or under extreme circumstances (e.g., earthquakes). Especially narrow and tall cabinets with drawers are extremely prone to tipping over and becoming dangerous when multiple drawers are opened.

2. For safety reasons, it must be secured to the wall by means of an anti-tipping device when in use, so as to avoid serious consequences due to the tipping of the cabinet.

3. Please use the anti-tipping device that comes with the package, fix one end on the wall and the other end on the back of the product on the border or other thick location, and tie it tightly with a nylon strap.

4. There are long screws, expansion tubes, short screws, nylon straps and fixing buckles inside the anti-tipping device, if you don't find the matching anti-tipping device in the package, please contact our customer service staff immediately for your replacement.

5. Regardless of the fixtures used, parents are asked to keep an eye on their children and not to climb or shake the product violently to avoid danger.

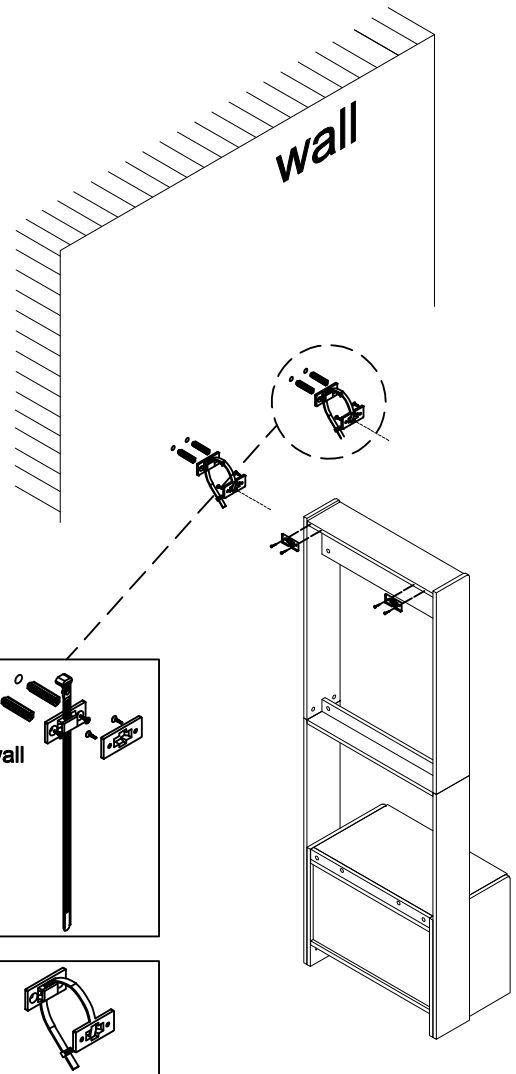
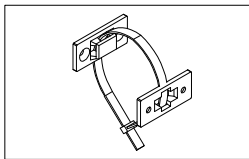


How to use the anti-tipping device

1. Use expansion tubes and long screws to secure the plastic parts to the wall.

2. Use self-tapping screws to attach the plastic parts to the back of the furniture (Located in thick areas such as panels, back panel edges, etc).

3. Pass the nylon tie through the two holes, tie it tightly, and cut off the excess.





MAINTENANCE AND CARE

Clean regularly using a soft brush or vacuum with a brush attachment. Avoid harsh chemicals or abrasive cleaners.

Wash with a hose or pressure washer on a low-pressure setting for heavy soiling. Rinse thoroughly afterward.

Ensure proper drying after cleaning or exposure to rain to prevent mold or mildew growth.

Protect from extreme weather by moving furniture to a covered area or using furniture covers or tarps.

Avoid dragging or placing heavy objects on the furniture to prevent damage.

Apply UV protection spray or furniture wax to prevent fading and damage from the sun.

Regularly inspect for wear, loose strands, or damage and address issues promptly.



WARRANTY INFORMATION

Warranty Coverage: Our warranty provides protection against manufacturing defects in materials and workmanship for a specified period from the date of purchase, as outlined in the accompanying warranty documentation.

Exclusions: The warranty does not cover damages resulting from misuse, negligence, accidents, normal wear and tear, unauthorized repairs or modifications, improper assembly, or failure to adhere to the care and maintenance guidelines provided.

Warranty Claim Process

To initiate a return on Amazon, please follow these steps:

- 1 Log into your Amazon account and go to the "Your Orders" section.
- 2 Locate the order containing the item you wish to return.
- 3 Contact our customer service for assistance in obtaining a prepaid return label.
- 4 Once you receive the return label, securely affix it to the package.
- 5 You can then choose to drop off the package at a designated carrier location or arrange for a pickup.
- 6 After we receive and inspect the returned product, we will initiate the refund process.
- 7 The refund will be credited back to the original payment method used during the purchase.
- 8 Typically, refunds are processed within 3-5 business days.

