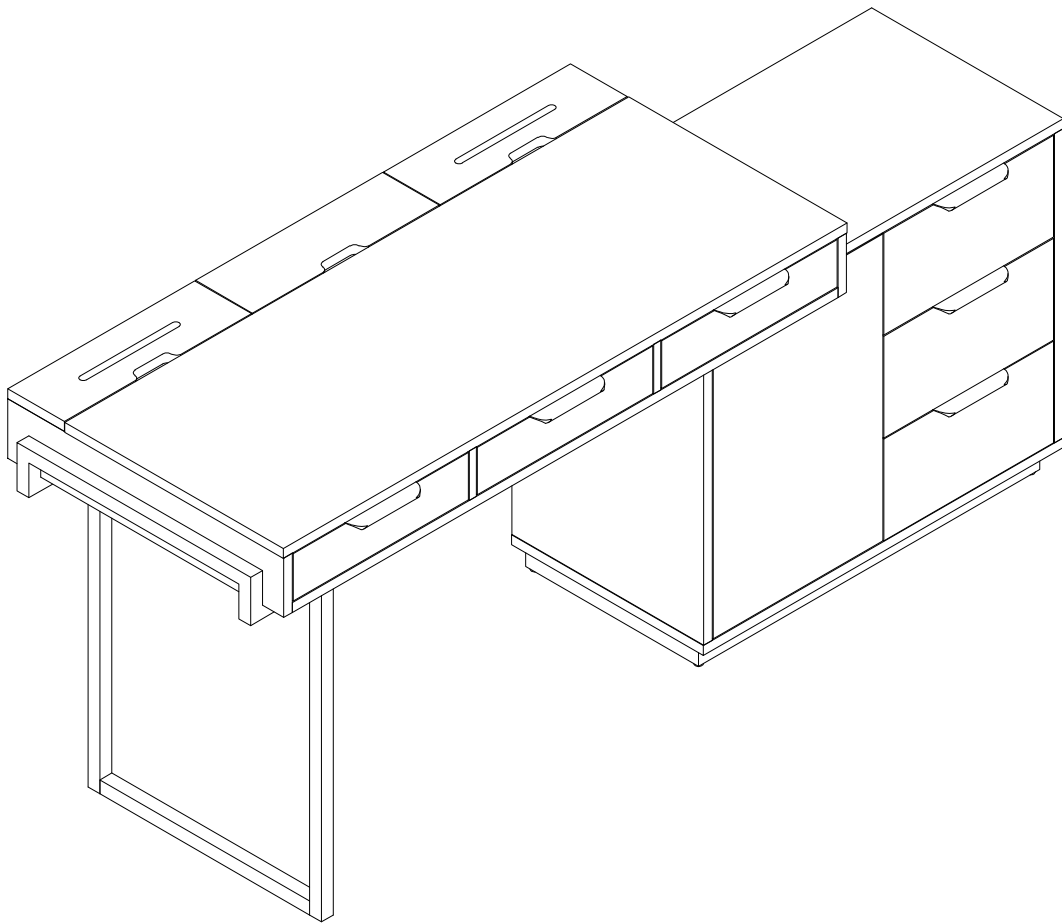


Owner Manual



NOTE:

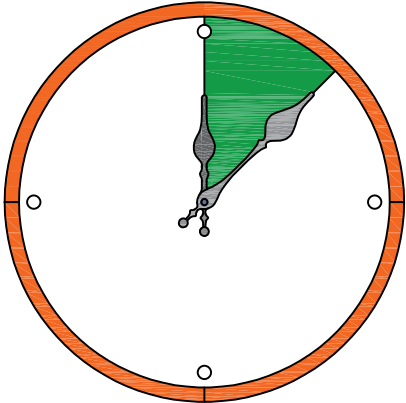
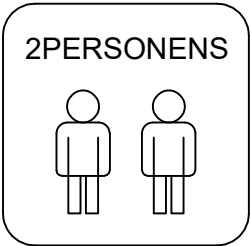
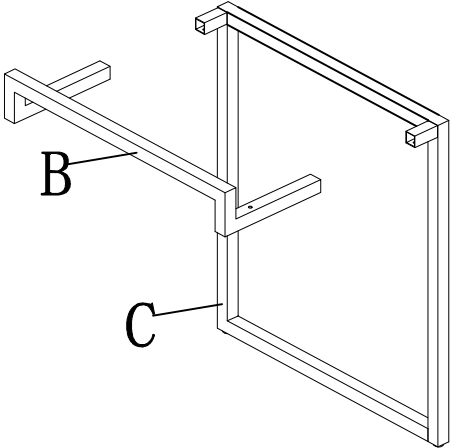
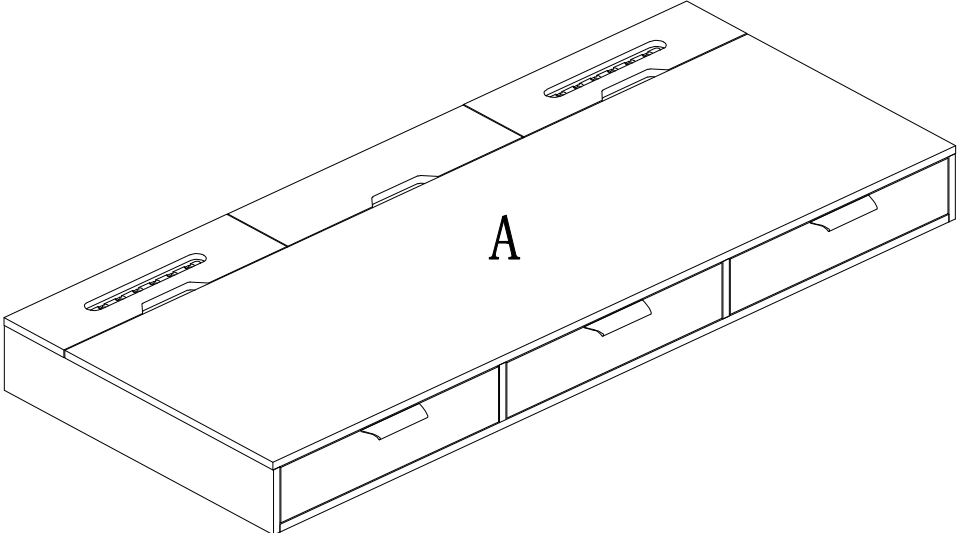
This brochure contains IMPORTANT safety info. Please read and keep for future reference.

MAINTENANCE AND WARNING

- 1.Keep furniture away from heat sources.
- 2.Do not clean furniture with harsh cleaner or polishes.Do not use detergents,solvents,abrasives,spray packs or leather cleaner. Use non-color mild soa with warm water to clean spills(Mix 1:10 soap to water).
- 3.Do not place furniture under direct sunlight,material will possibly fade over time.
- 4.Do not use on site dry cleaning machine.Children should not climb or jump on the furniture.
- 5.Do not write on furniture that is not protectedby a padded barrier.
- 6.Not for commercial use,only for residential use.

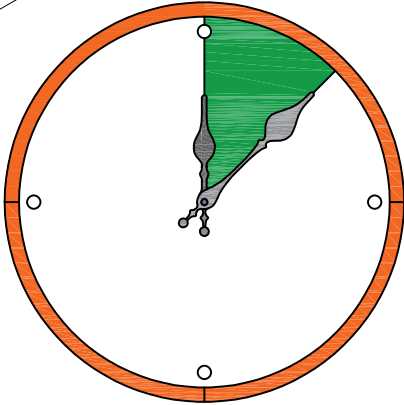
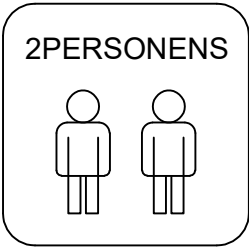
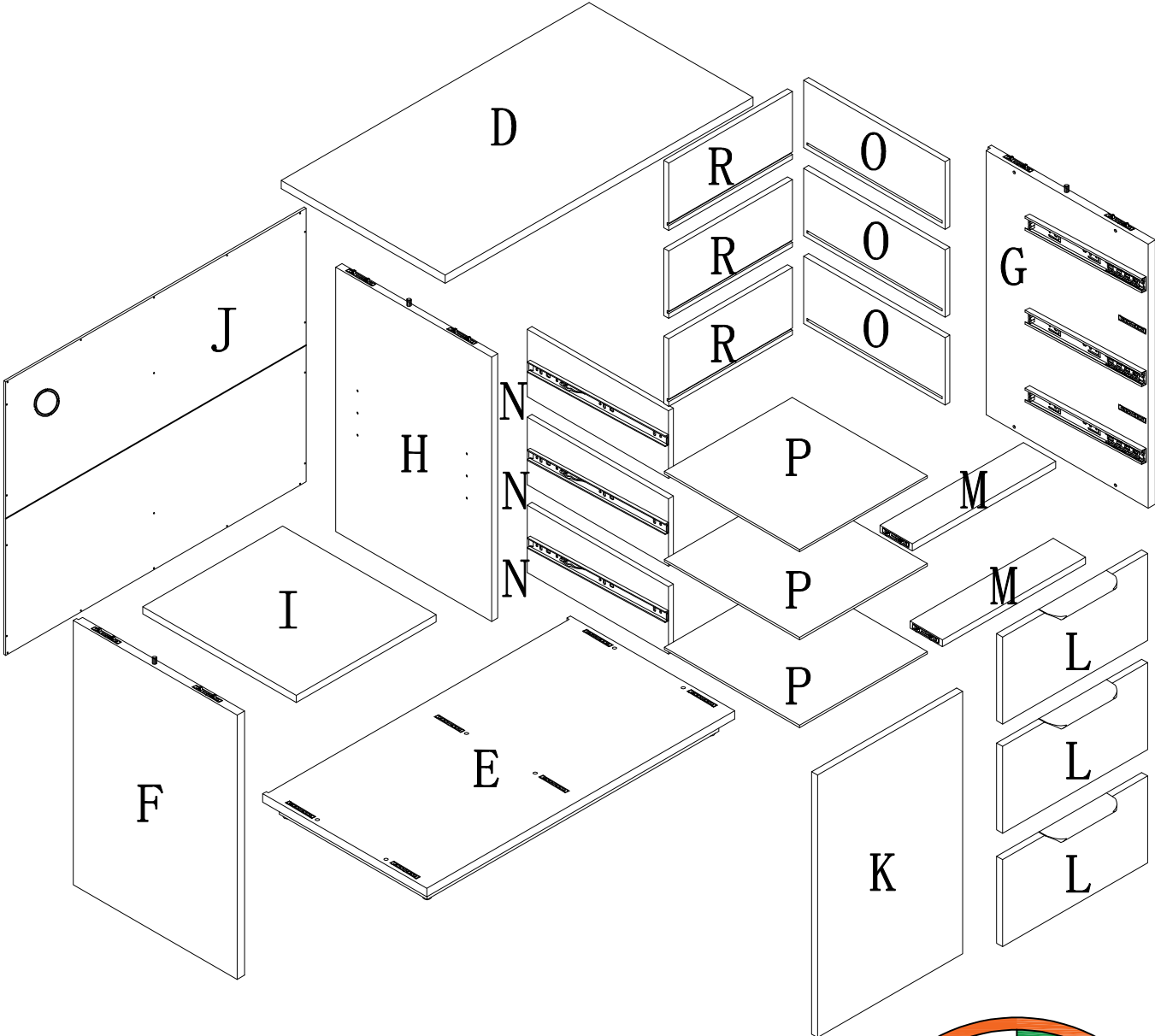


EXPLOSIVE VIEW



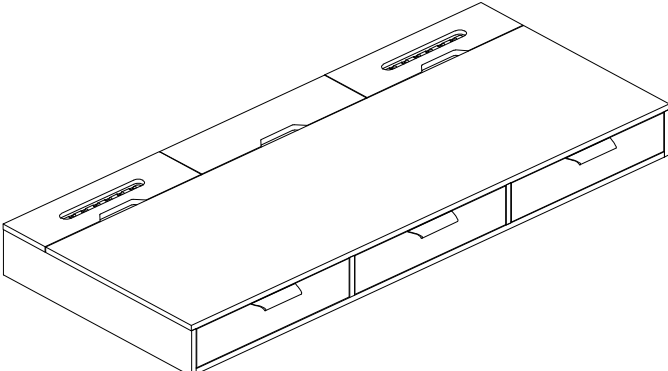
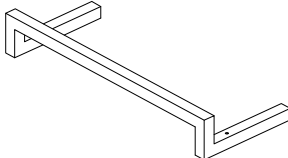
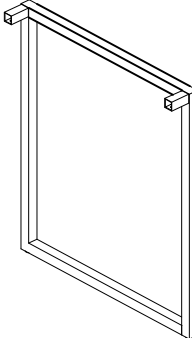
Around 20 min

EXPLOSIVE VIEW

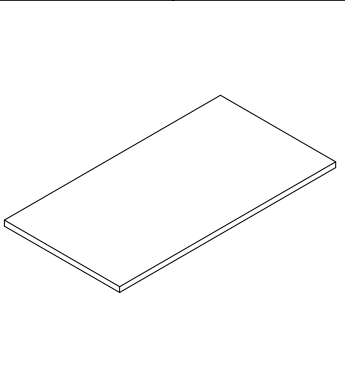
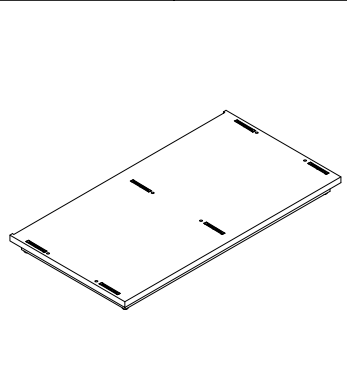
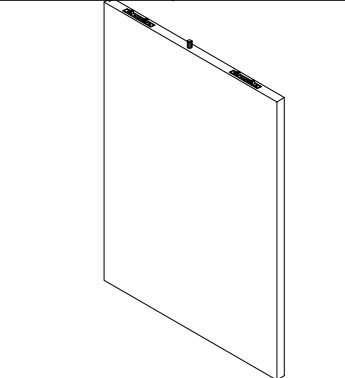
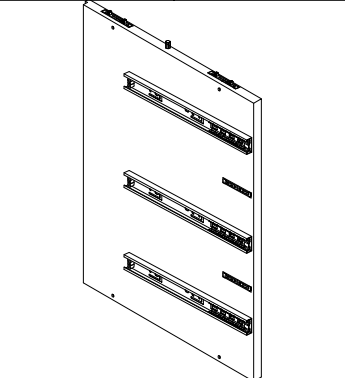


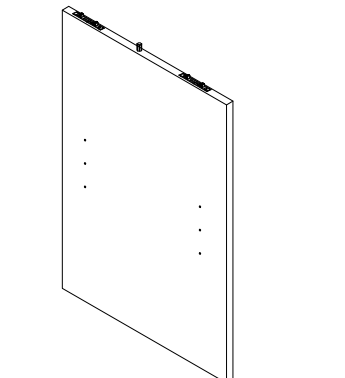
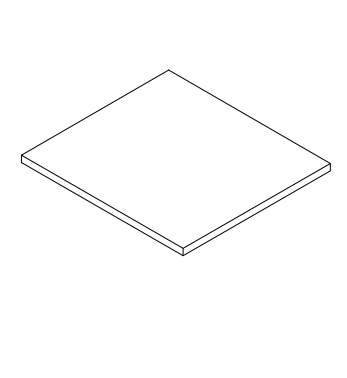
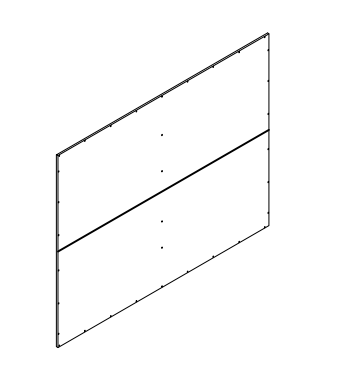
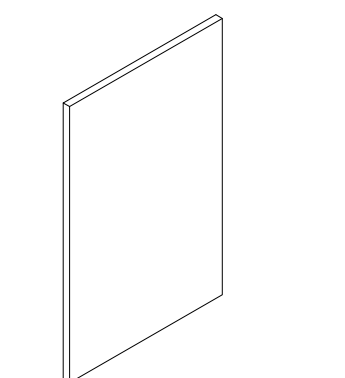
Around 65 min

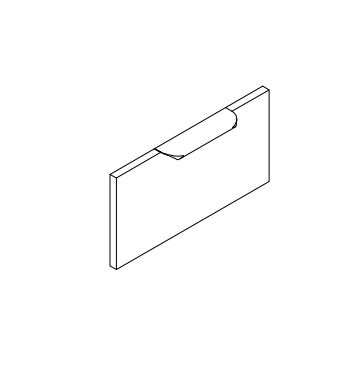
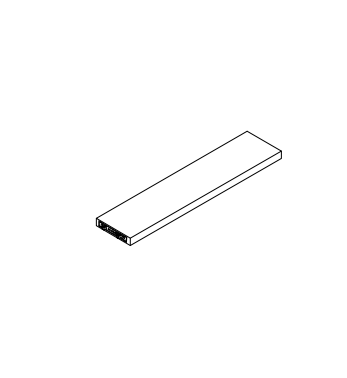
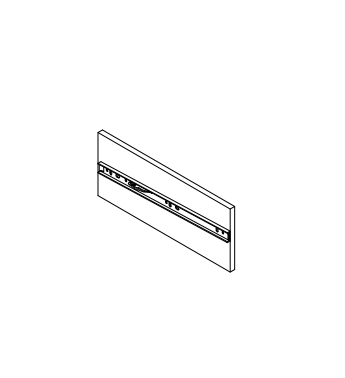
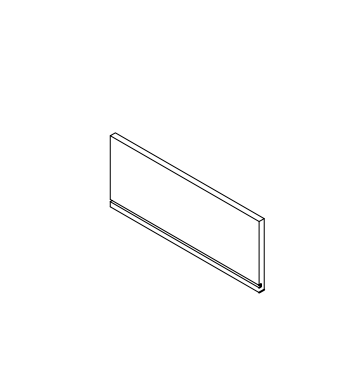
PARTS LIST OF CARTON A

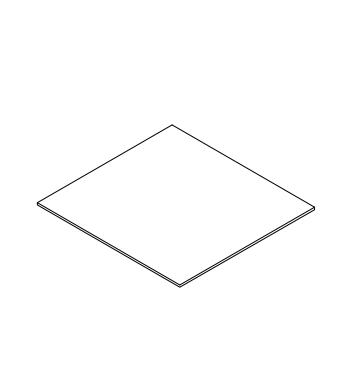
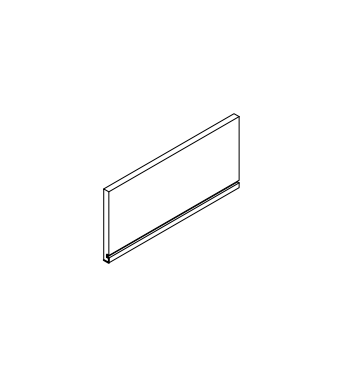
A	x1	B	x1	C	x1
 A perspective line drawing of a rectangular carton with a lid. The lid has two handles on the front edge. The carton has a recessed area on the front face.		 A line drawing of an L-shaped support piece, consisting of a horizontal bar and a vertical bar joined at a right angle.		 A line drawing of a rectangular frame made of four L-shaped pieces joined at the corners.	

PARTS LIST OF CARTON B

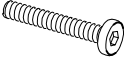
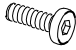


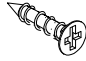
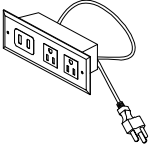
D	x1	E	x1	F	x1	G	x1
							

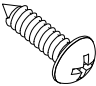
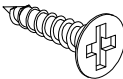
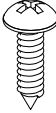
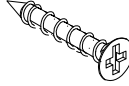

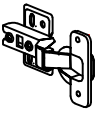
H	x1	I	x1	J	x1	K	x1
							

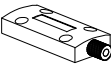
L	x3	M	x2	N	x3	O	x3
							

P	x3	R	x3
			

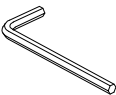
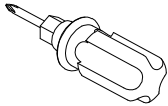
HARDWARE LIST

#1	x4	#2	x4	#3	x4	#4	x4	#5	x2	#6	x1
											
Ø6*38MM		Ø6*12MM		1/4*15MM		1/4*13MM		Ø3*12MM			

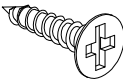
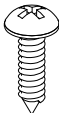
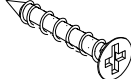
#7	x4	#8	x12	#10	x20	#11	x24	#12	x4	#13	x2
											
Ø3*15MM		Ø3*15MM		Ø3*15MM		Ø4*25MM					

#14	x1
	

TOOL LIST

#15	x1	#16	x1
			
1/4"			

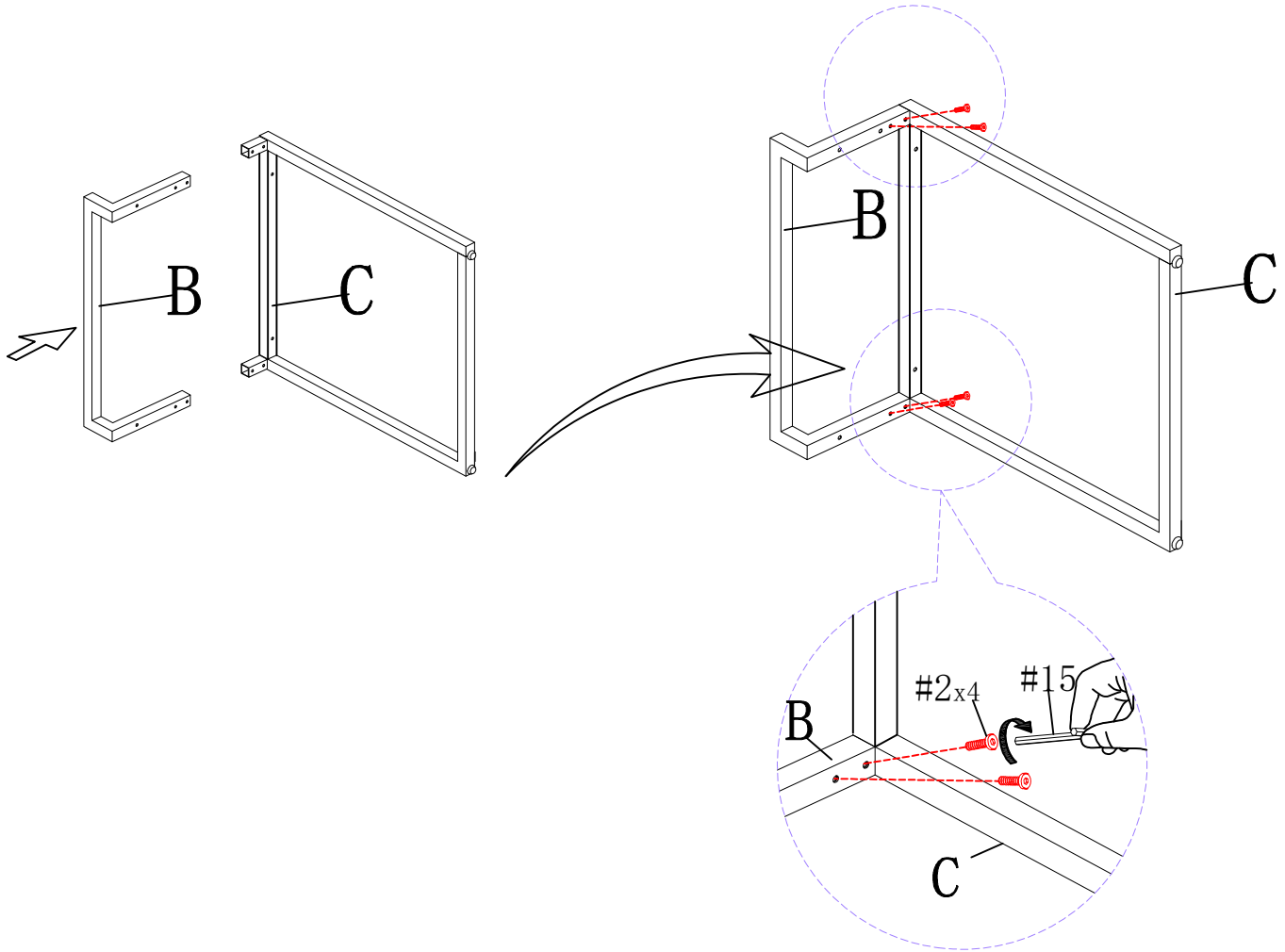
HARDWARE SPARE LIST

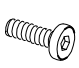
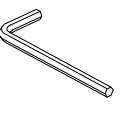
#8	x1	#10	x2	#11	x2
					
Ø3*15MM		Ø3*15MM		Ø4*25MM	

ASSEMBLY INSTRUCTIONS

STEP-1

1. connect part(B) to part(C) with bolt #2, tight bolt with allen wrench #15..

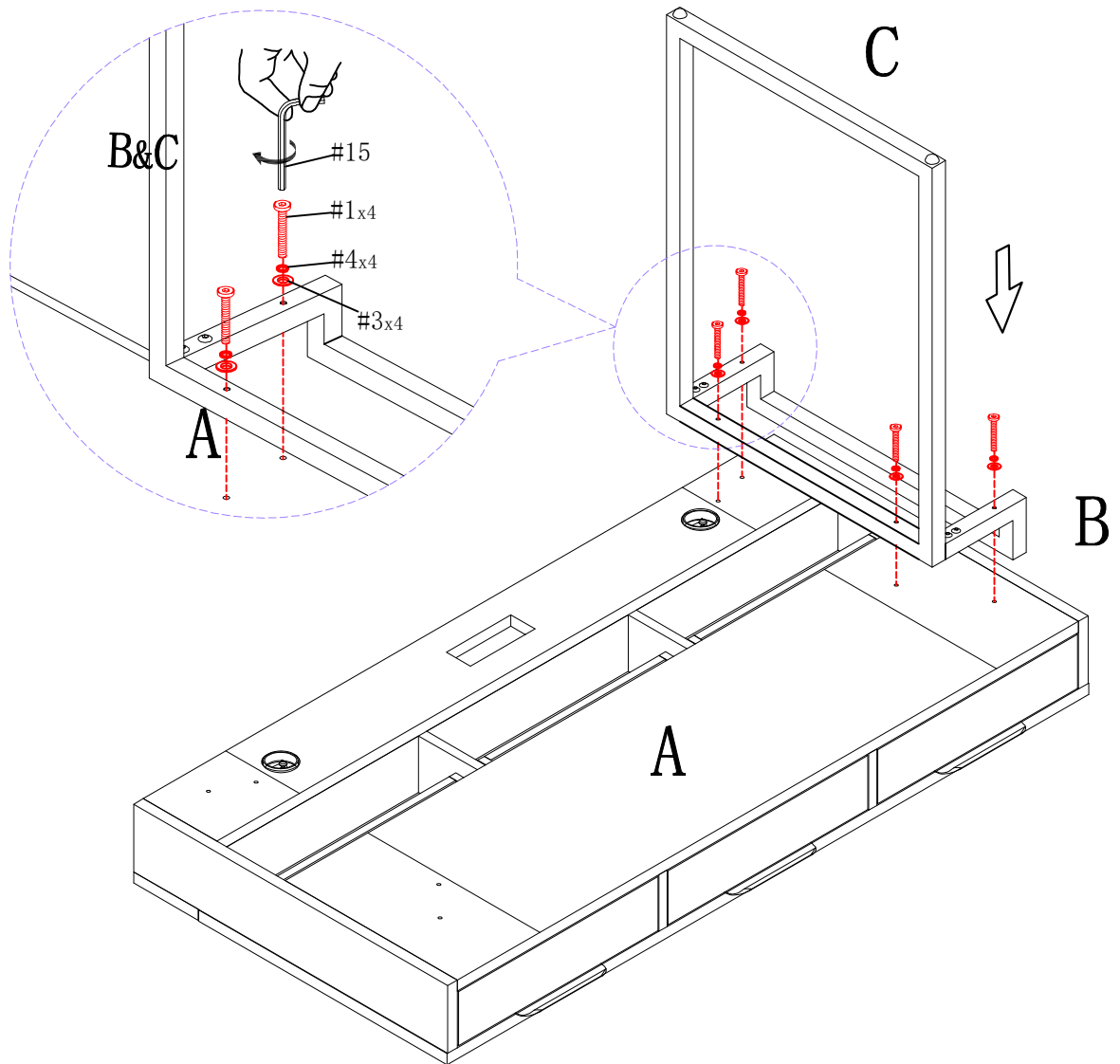


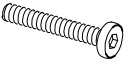


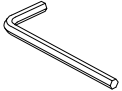
#2	x4	#15	x1
			
Ø6*12MM		1/4"	

ASSEMBLY INSTRUCTIONS

STEP-2

1. connect the unit pre-assembled at step1 to part (A) with bolt #1, flat washer #3 and spring washer #4. tight bolt with allen wrench #15.

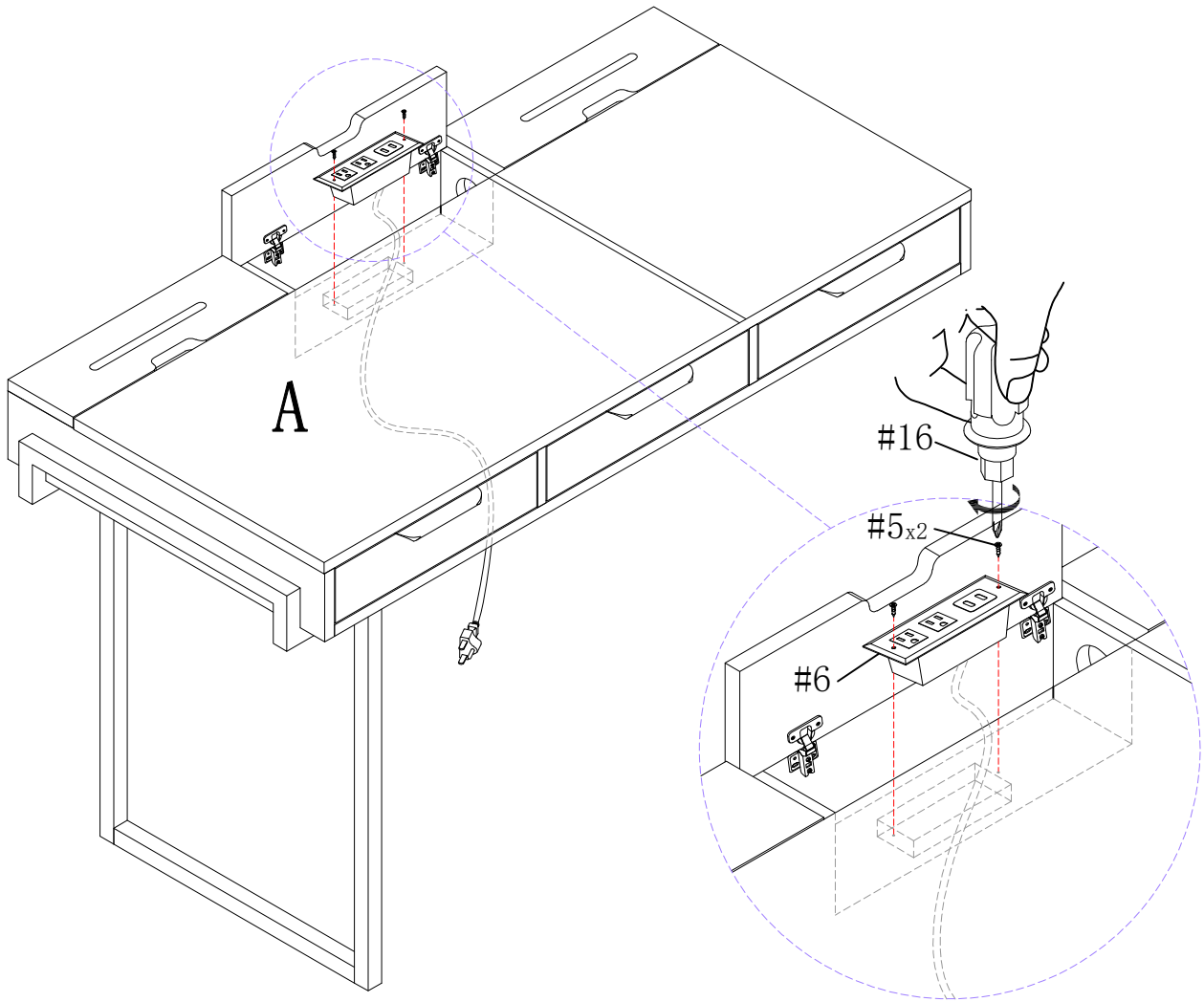


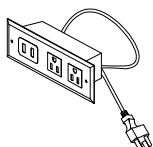

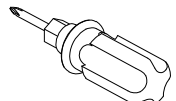
#1	x4	#3	x4	#4	x4	#15	x1
							
Ø6*38MM		1/4*15MM		1/4*13MM		1/4"	

ASSEMBLY INSTRUCTIONS

STEP-3

1. connect part #6 to part (A) with screw #5, tight screw with screwdriver #16.

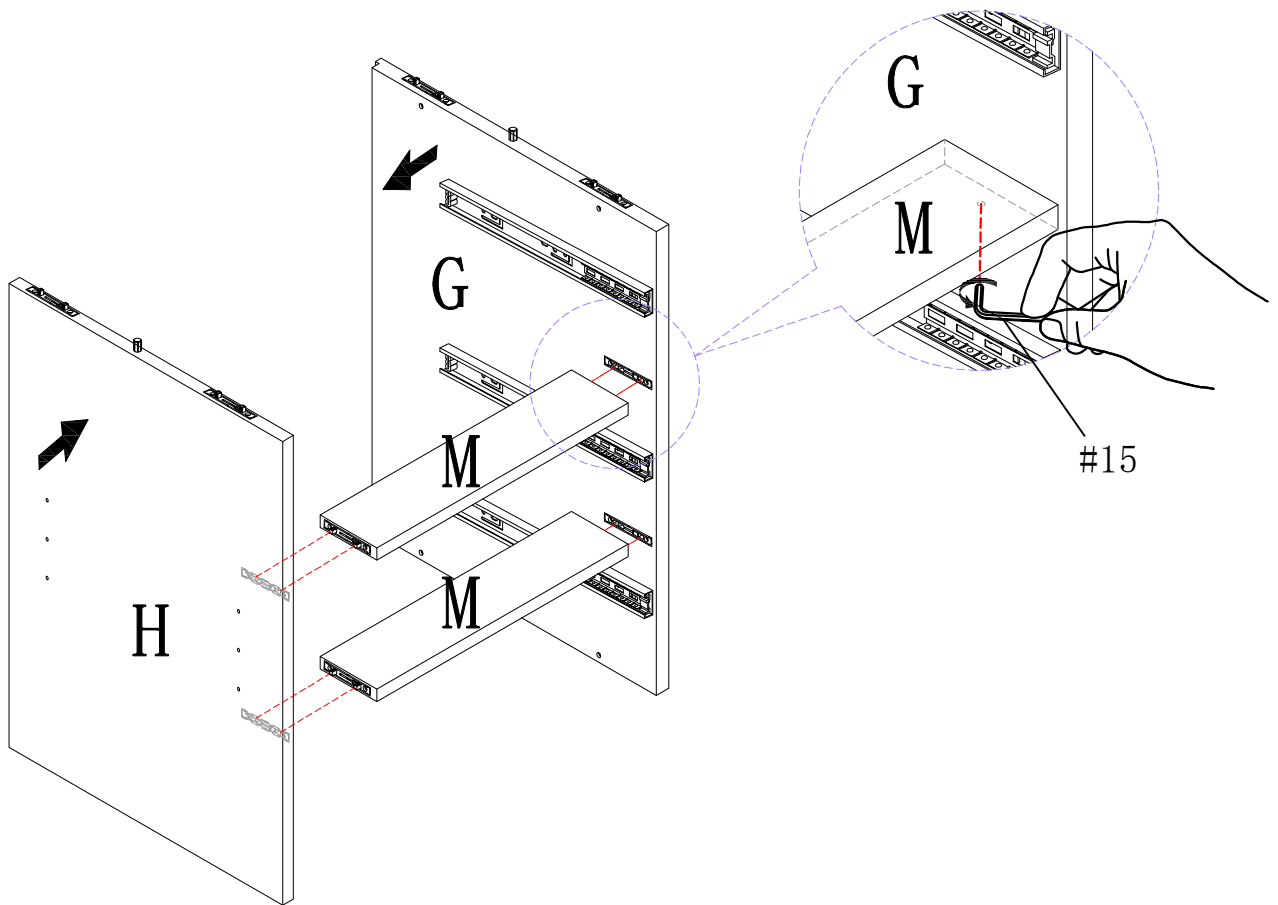


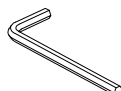
#6	x1	#5	x2	#16	x1
					
		Ø3*12MM			

ASSEMBLY INSTRUCTIONS

STEP-4

1. insert part (M) into panel(H/G), make sure all holes aligned and then tighten it with allen key #15 as picture show.

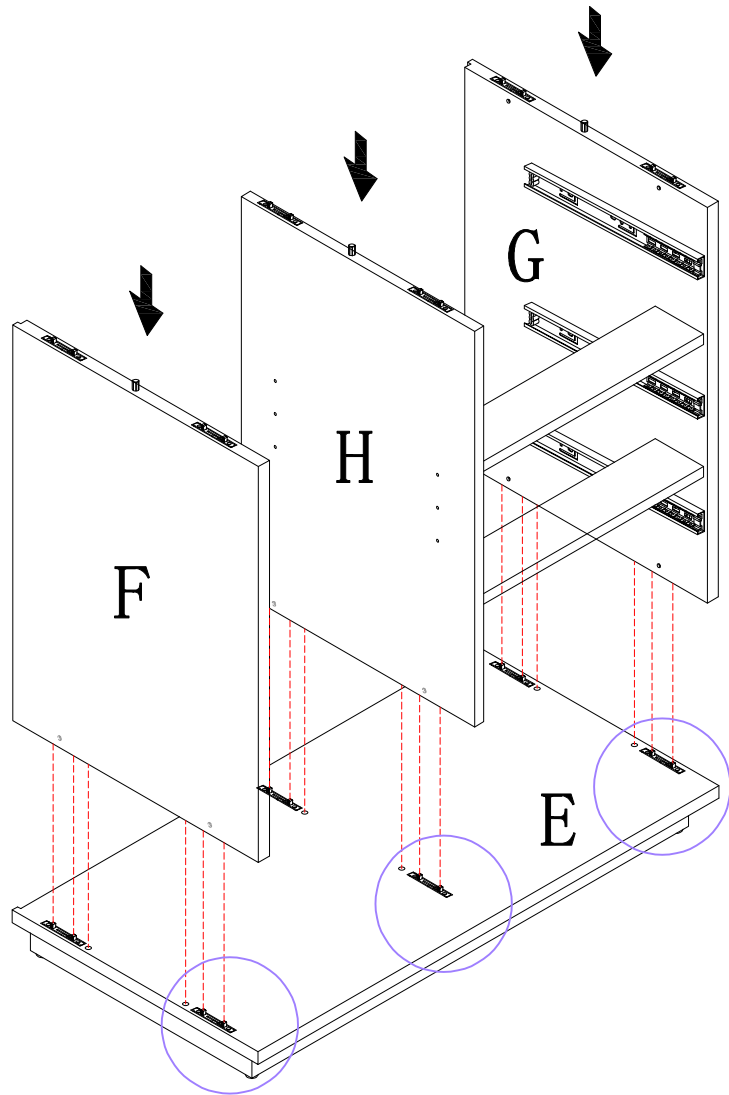
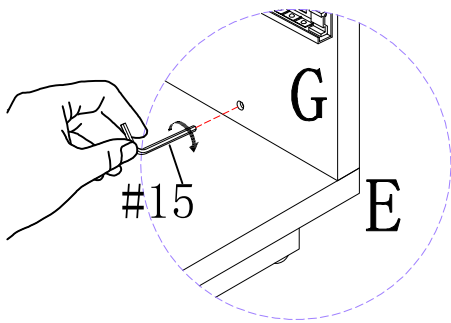
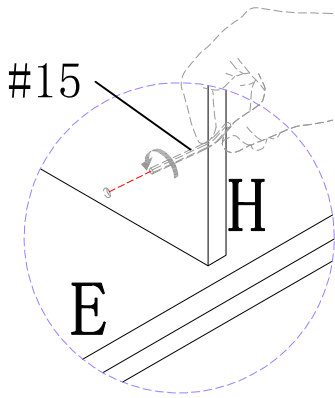
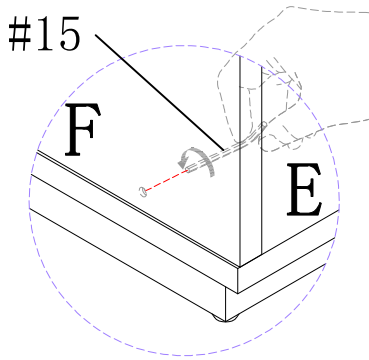


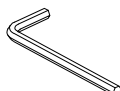
#15	x1
	
1/4"	

ASSEMBLY INSTRUCTIONS

STEP-5

1. insert part (F/H/G) into panel(E), make sure all holes aligned and then tighten it with allen key #15 as picture show.

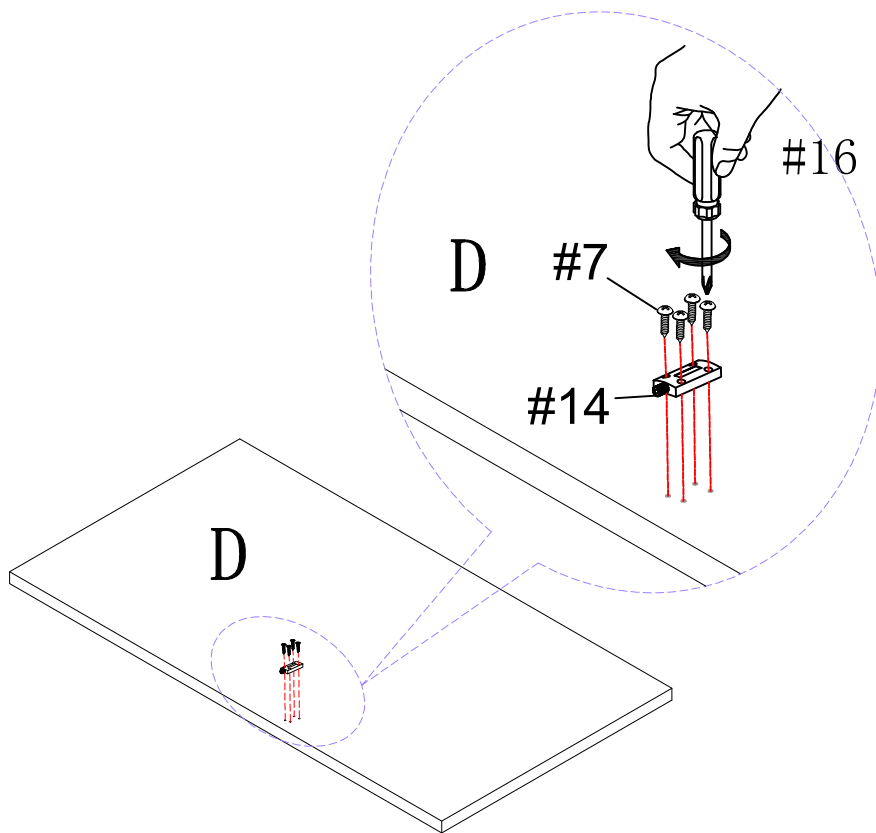


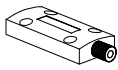
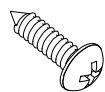
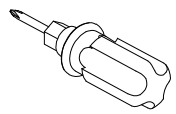
#15	x1
	
1/4"	

ASSEMBLY INSTRUCTIONS

STEP-6

1. connect part #14 to part (D) with screw #7, tight screw with screwdriver #16.

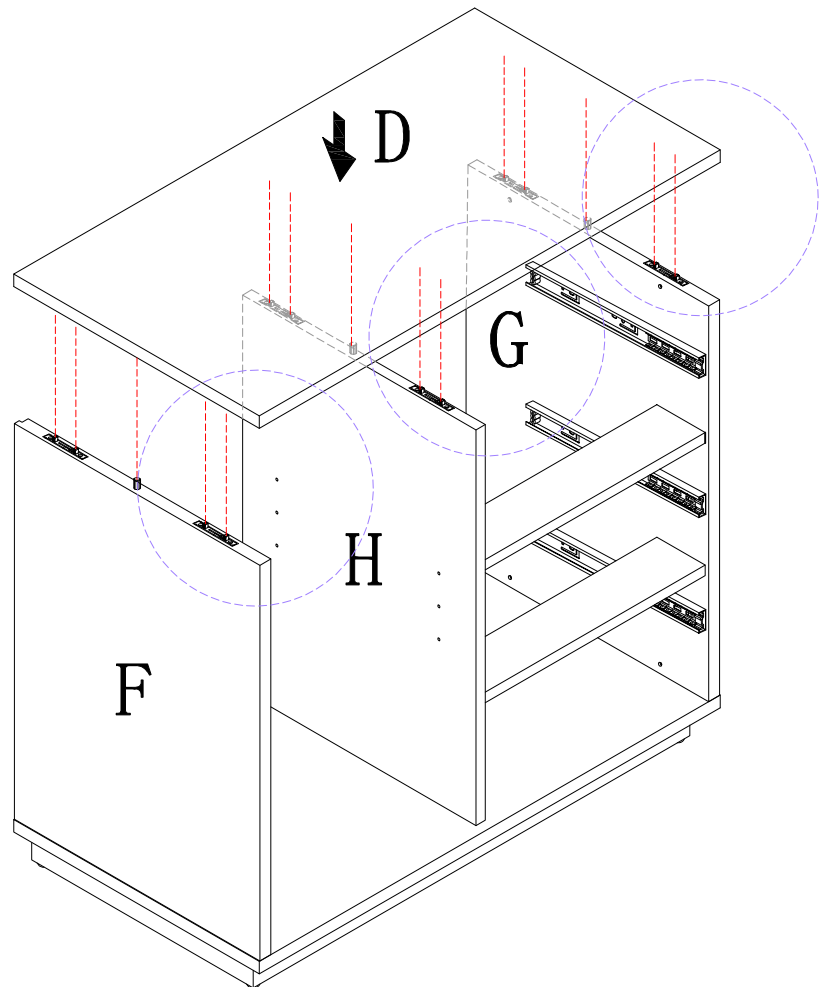
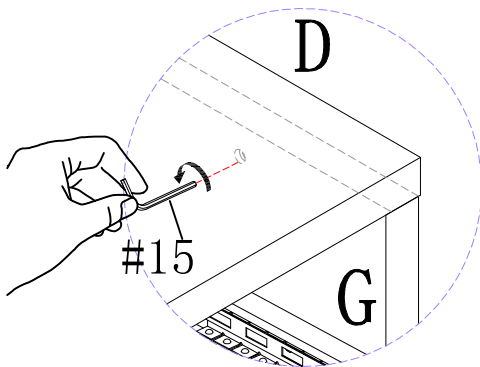
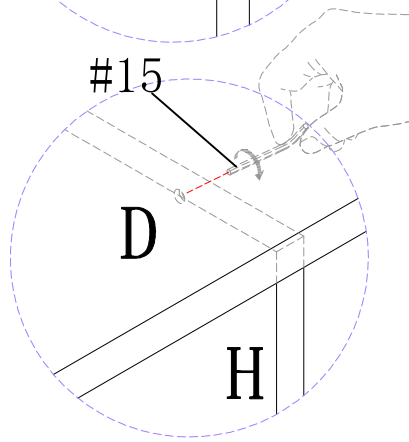
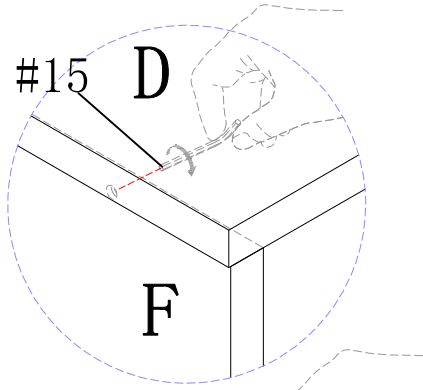


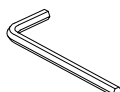
#14	x1	#7	x4	#16	x1
					
Ø3*15MM					

ASSEMBLY INSTRUCTIONS

STEP-7

1. insert part (D) into the unit pre-assembled at step 5, make sure all holes aligned and then tighten it with allen key #15 as picture show.

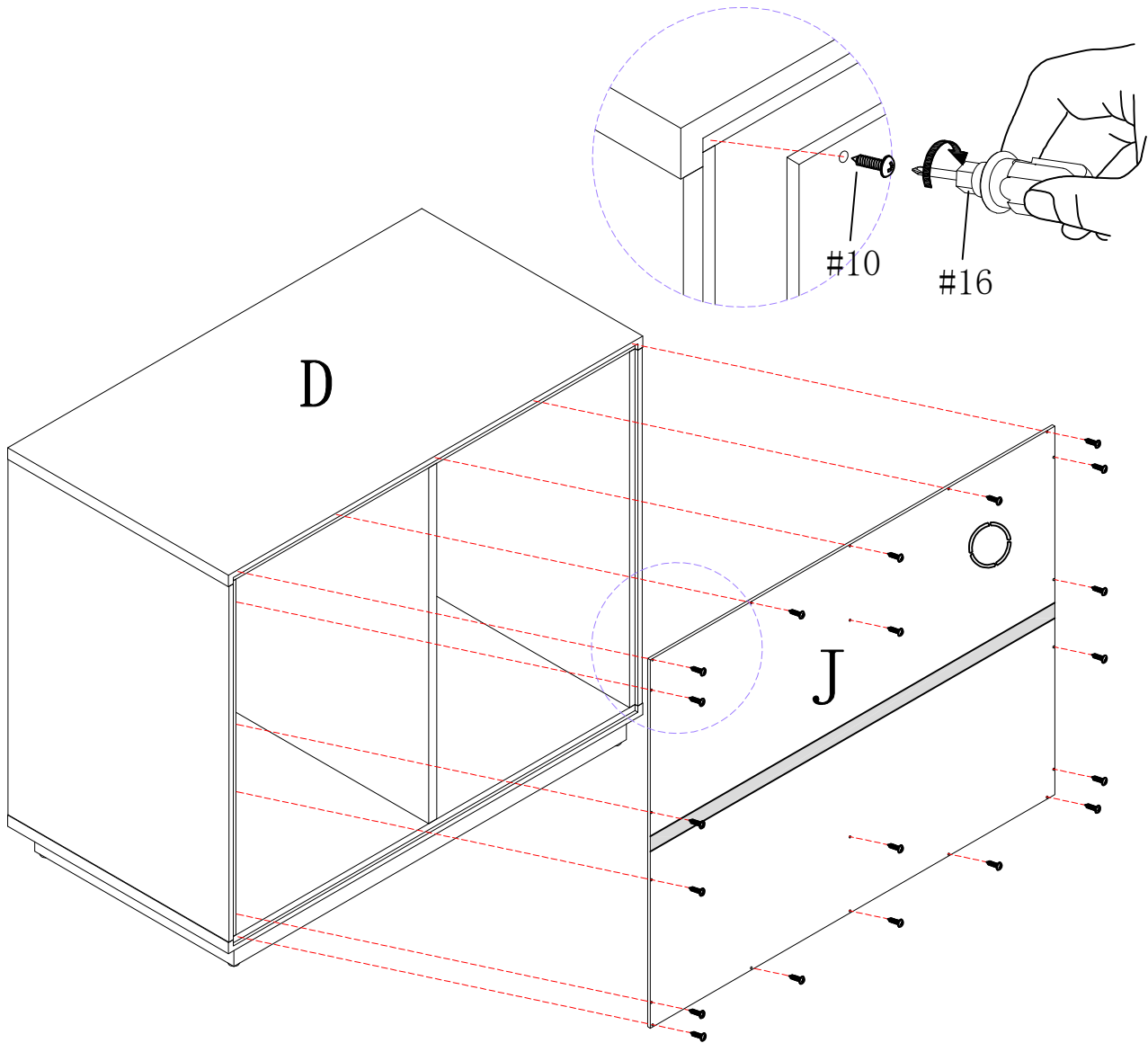


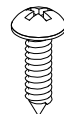
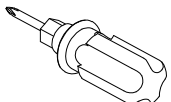
#15	x1
	
1/4"	

ASSEMBLY INSTRUCTIONS

STEP-8

1. connect part (J) to the unit pre-assembled at step 7 with screw #10, tight screw with screwdriver #16.

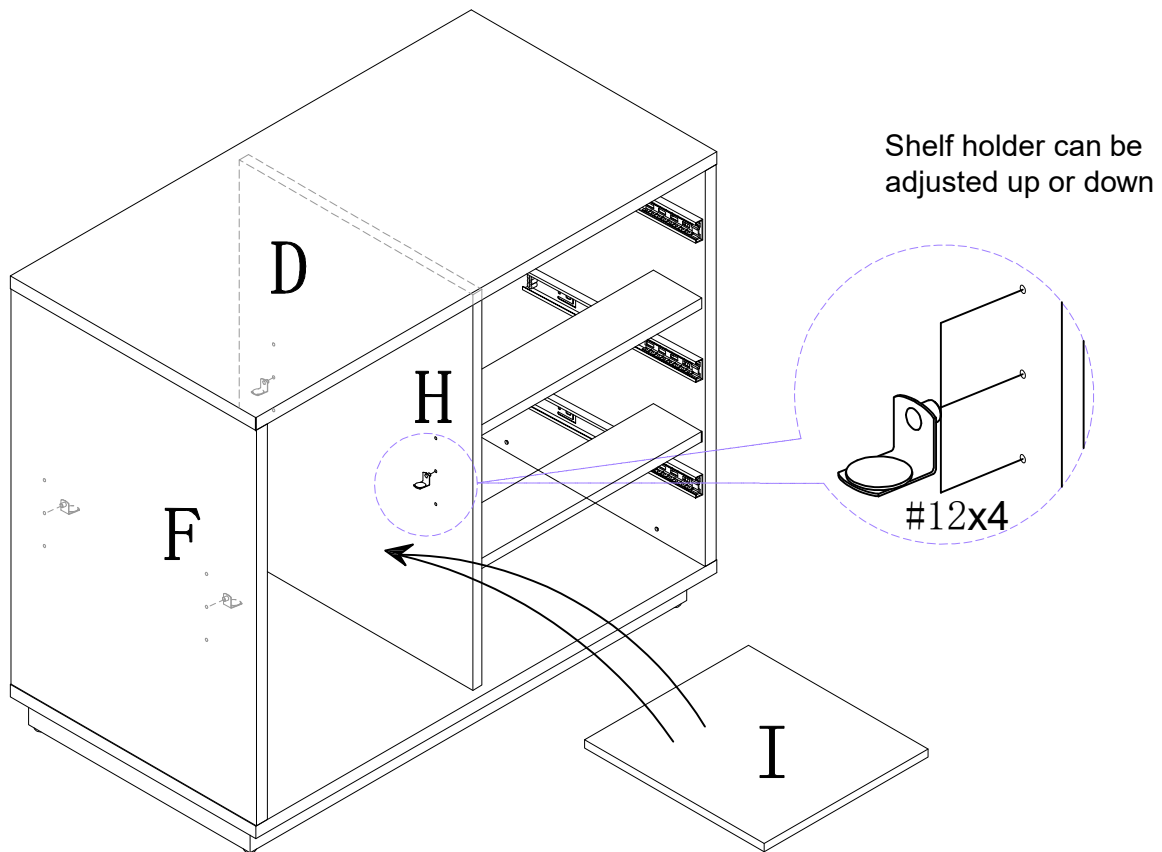


#10	x20	#16	x1
			
Ø3*15MM			

ASSEMBLY INSTRUCTIONS

STEP-9

1. insert part#12 to parr(F/H) , attach part (I) to it.

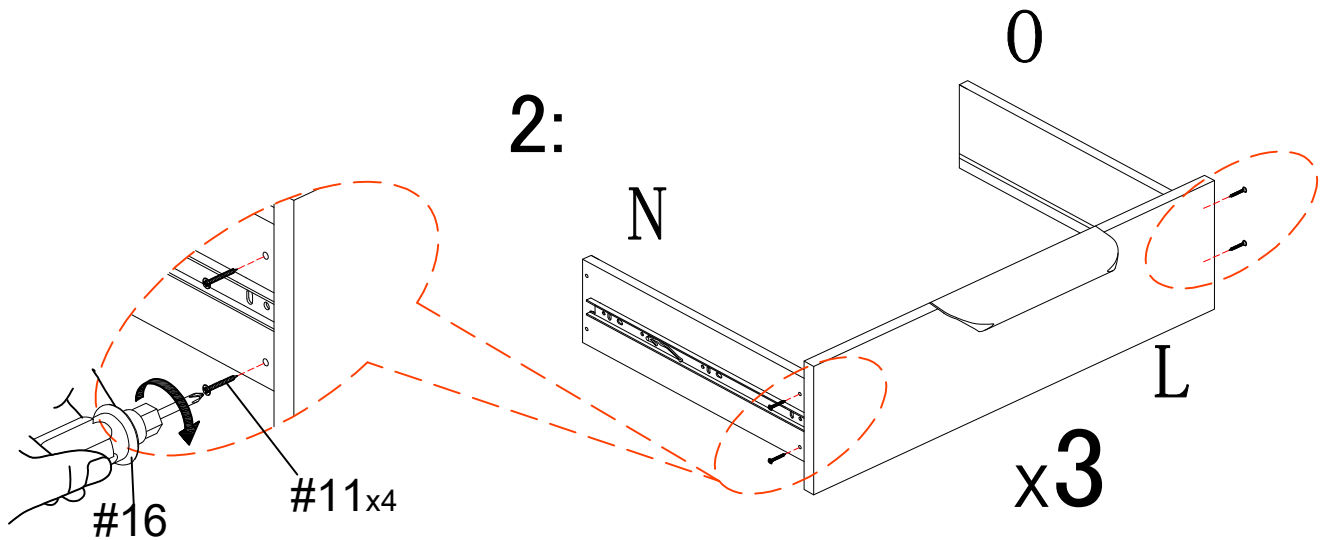
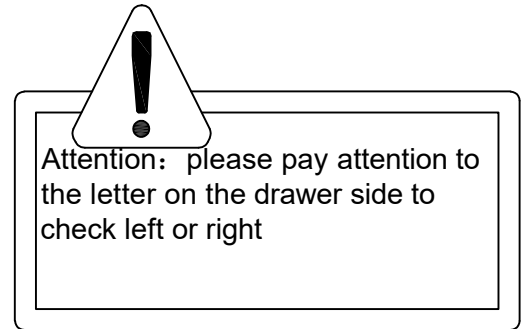
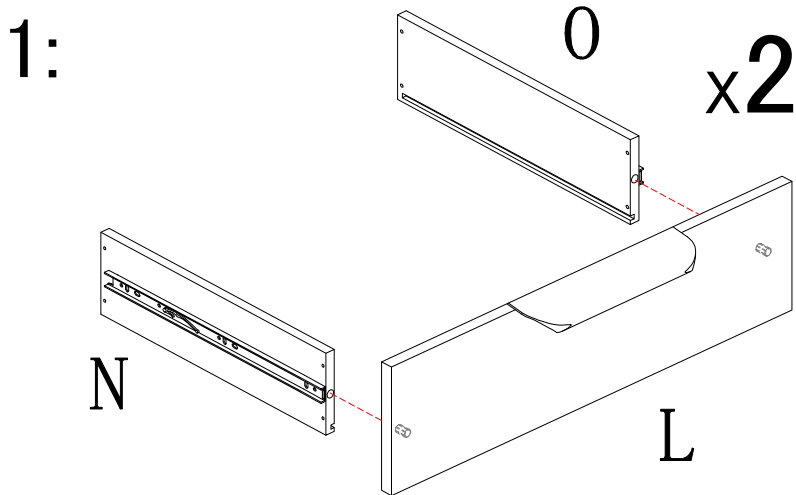


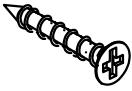
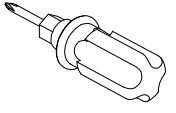
#12	x4

ASSEMBLY INSTRUCTIONS

STEP-10

1. Connect part (N&O) to part (L) using screw #11 and tighten it with screwdriver #16.

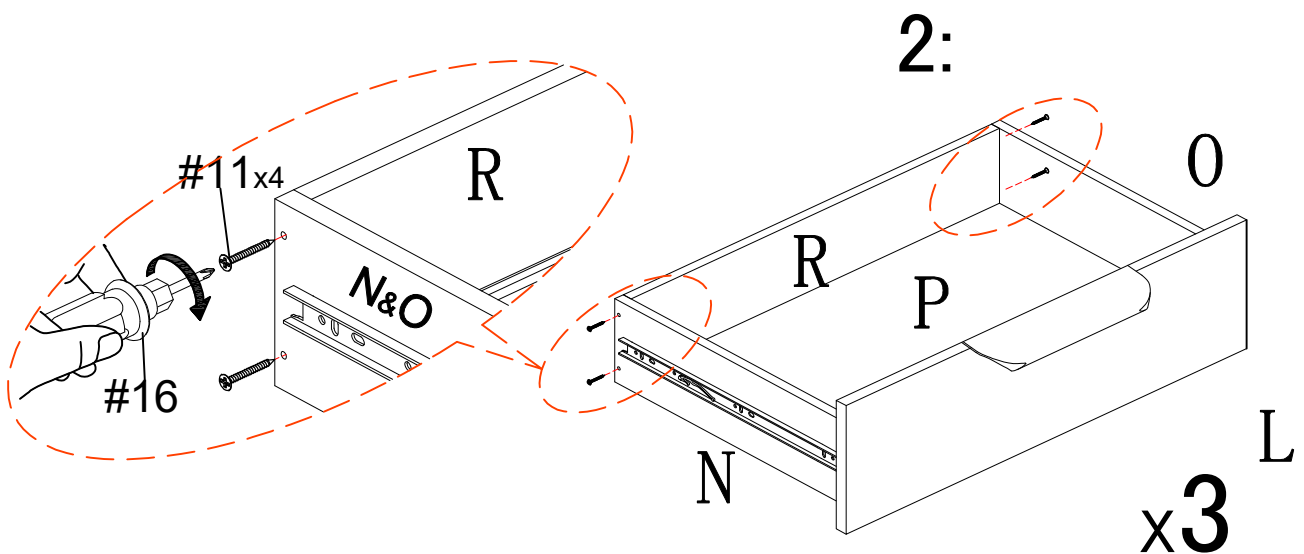
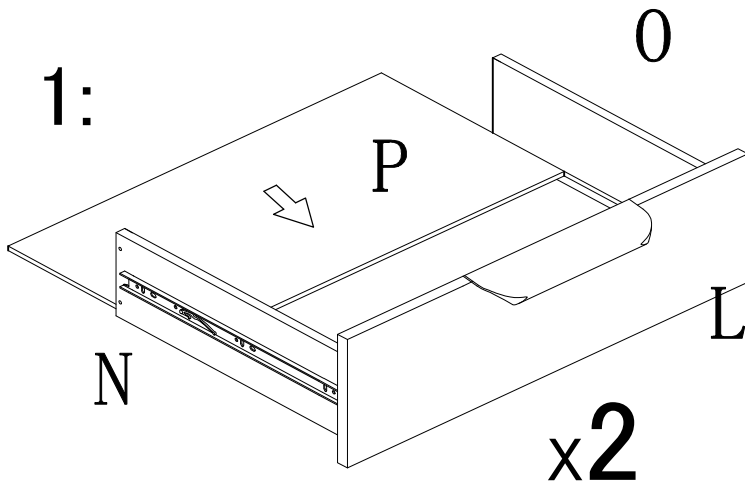



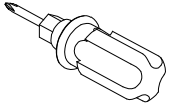
#11	x12	#16	x1
			
Ø4*25MM			

ASSEMBLY INSTRUCTIONS

STEP-11

1. slide in the part (P) into the groove in part (N&O). make sure they are also in groove in part (L).
2. Connect part (R) and (N&O) using screw #11 , and tighten it with screwdriver #16.

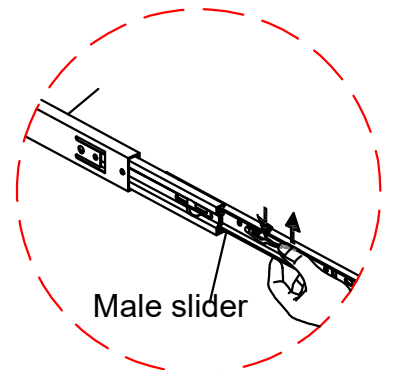
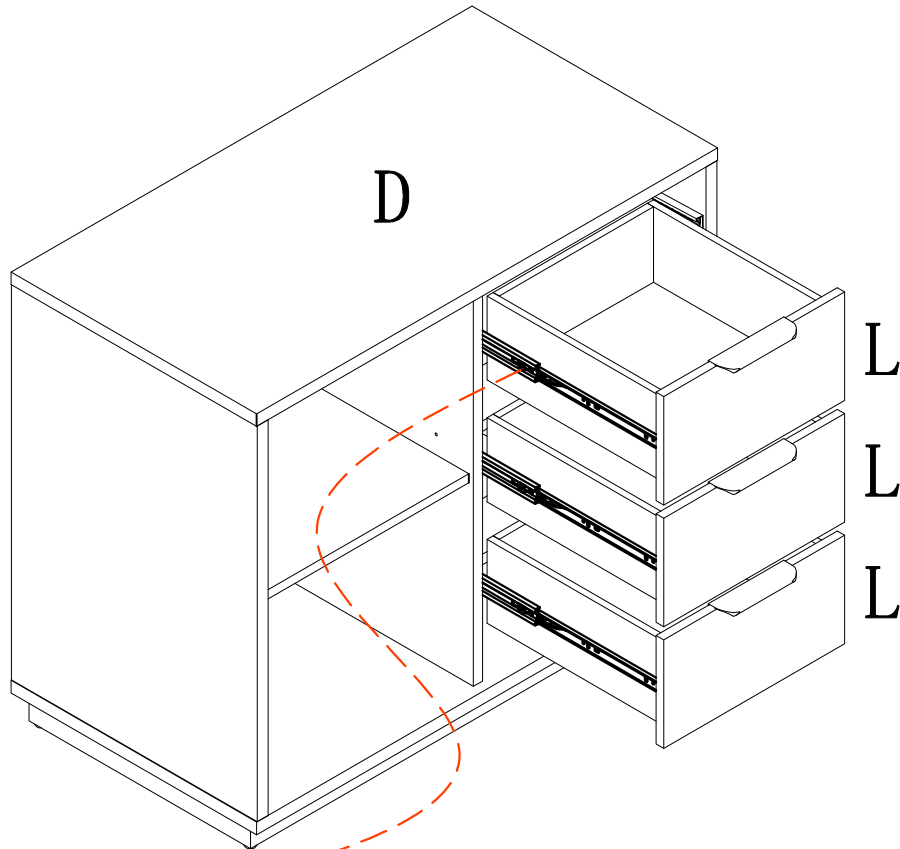


#11	x12	#16	x1
			
Ø4*25MM			

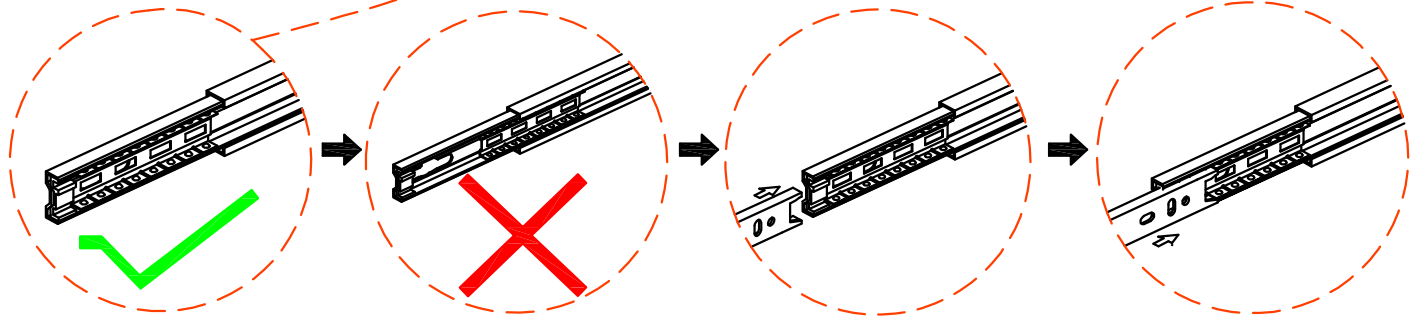
ASSEMBLY INSTRUCTIONS

STEP-12

1. insert drawer to body with hand.



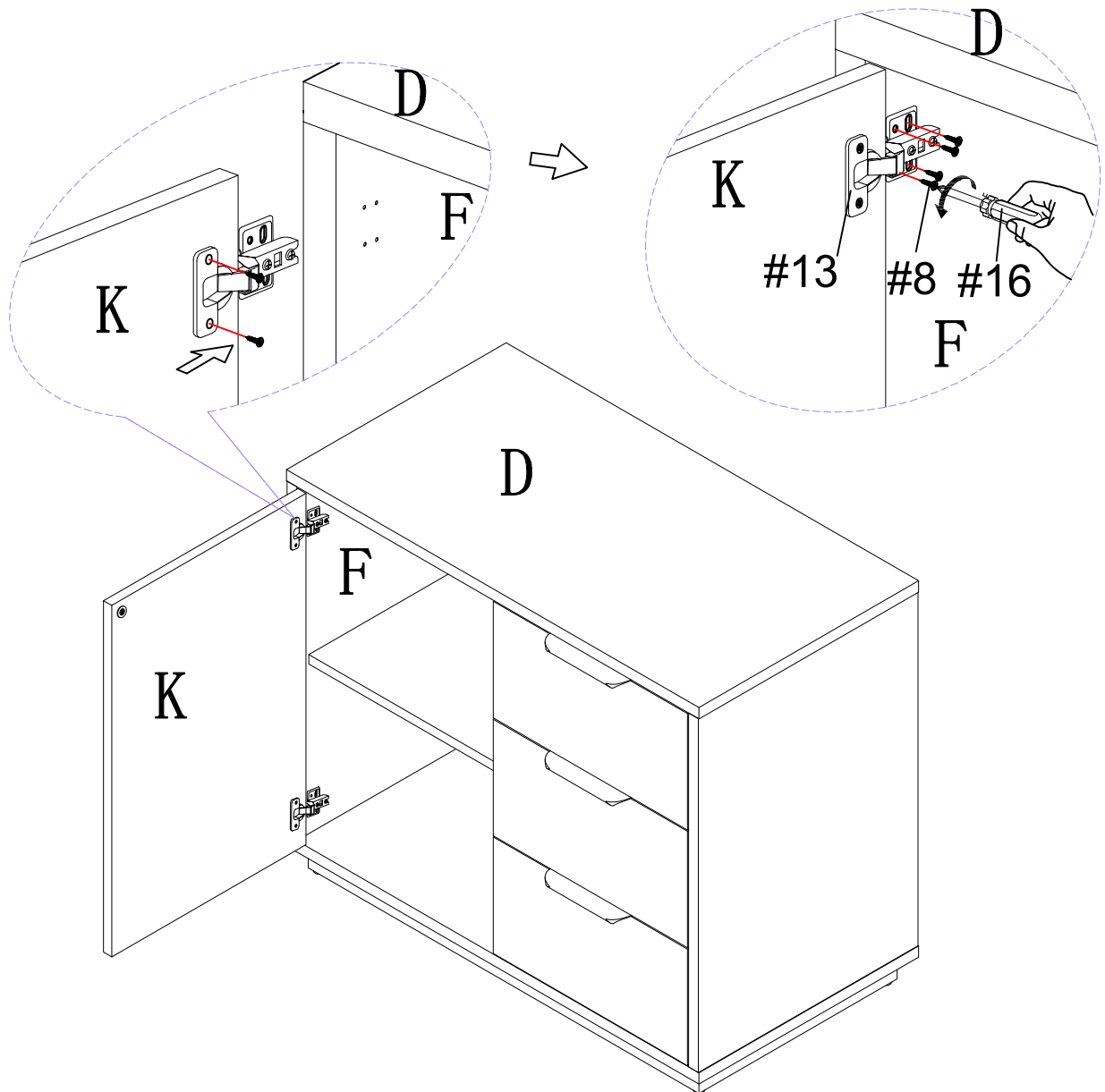
Schematic diagram of slide rail disassembly


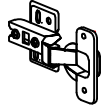
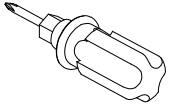


ASSEMBLY INSTRUCTIONS

STEP-13

1. connect part #13 to part(K) with screw #8, tight screw with screwdriver #16.
2. connect part (K) to the unit pre-assembled at step 12 with screw #8, tight screw with screwdriver #16.

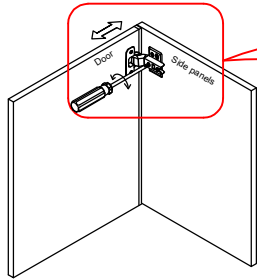


#8	x12	#13	x2	#16	x1
					
Ø3*15MM					

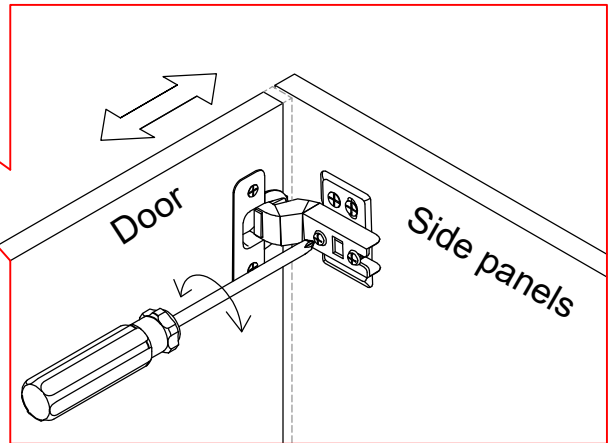
ASSEMBLY INSTRUCTIONS

STEP-14

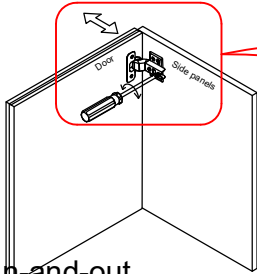
Concealed hinges are three-way adjustable:



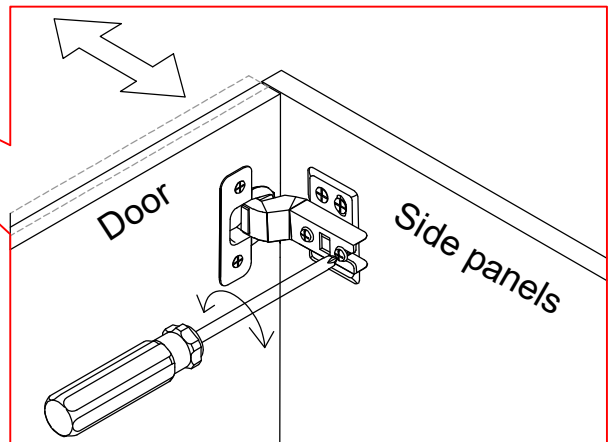
Horizontal
by screw adjustment!



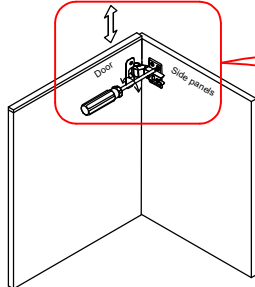
Concealed hinges are three-way adjustable:



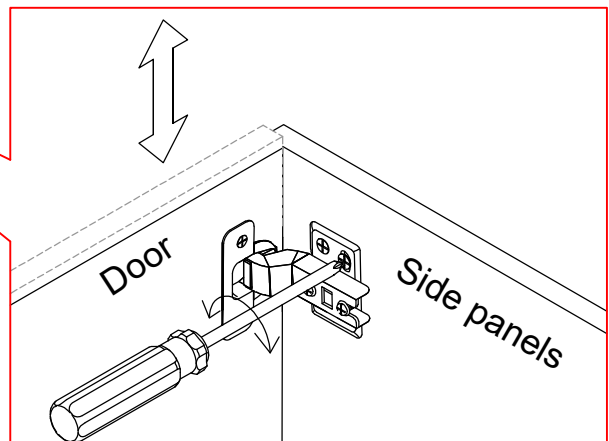
In-and-out
by loosening the hinge arm
mounting screw or via cam
adjustment!



Concealed hinges are three-way adjustable:



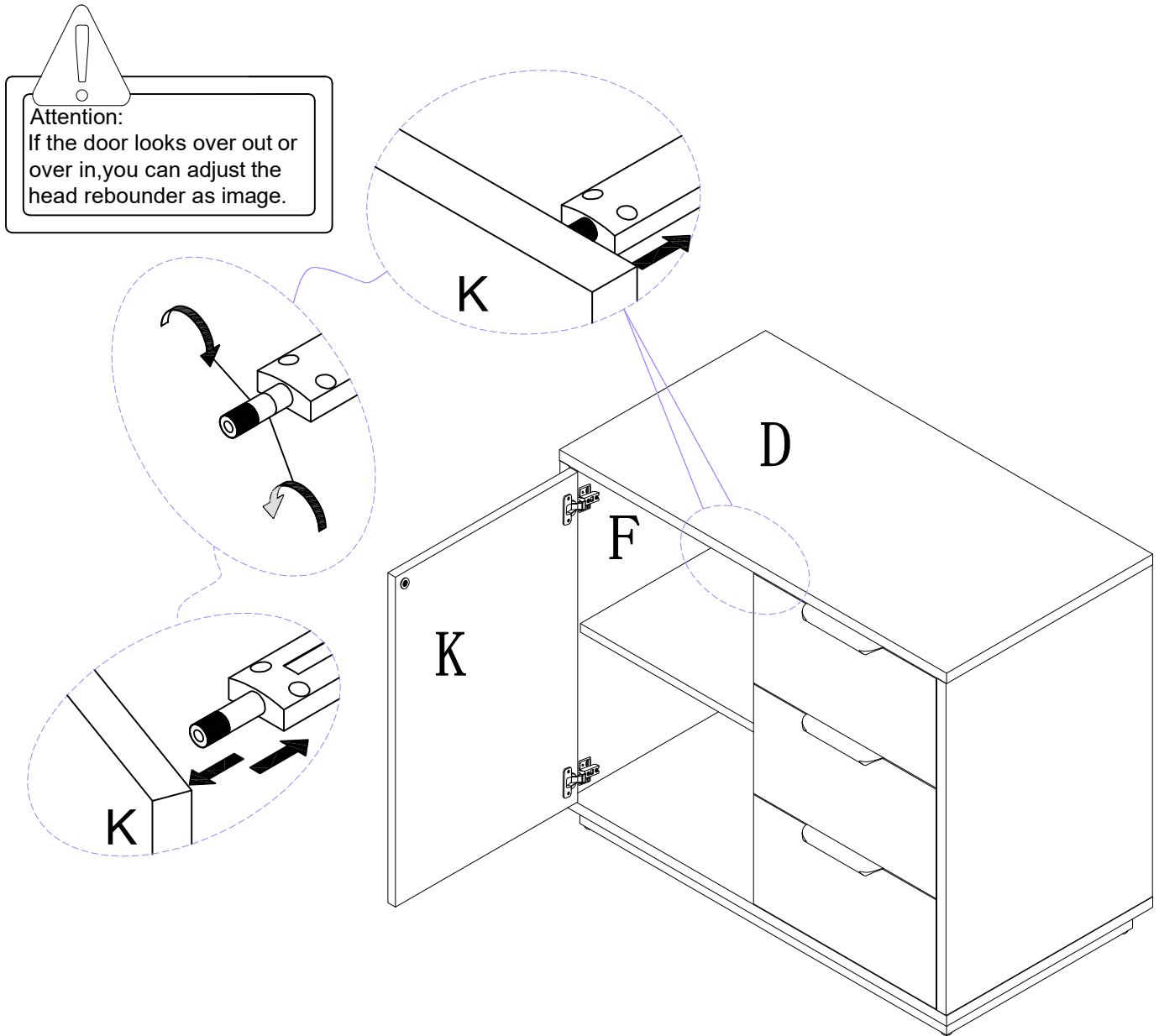
Vertical via slots in
the mounting plate
or via cam
adjustment!



Hinge adjustment method

ASSEMBLY INSTRUCTIONS

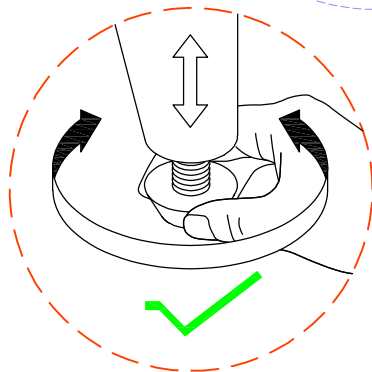
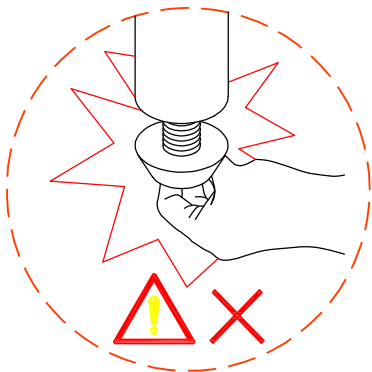
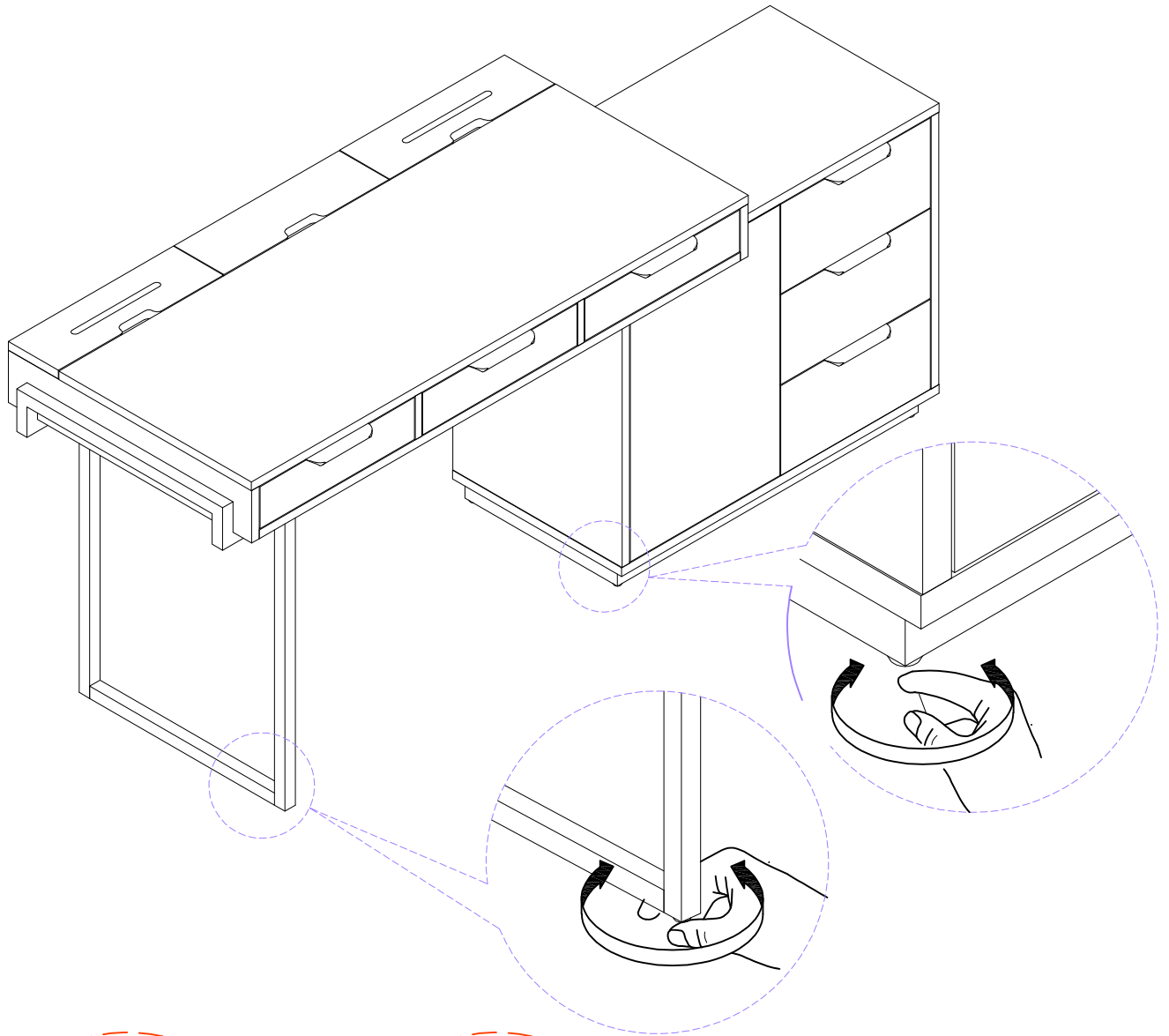
STEP-15



Rebound adjustment method

ASSEMBLY INSTRUCTIONS

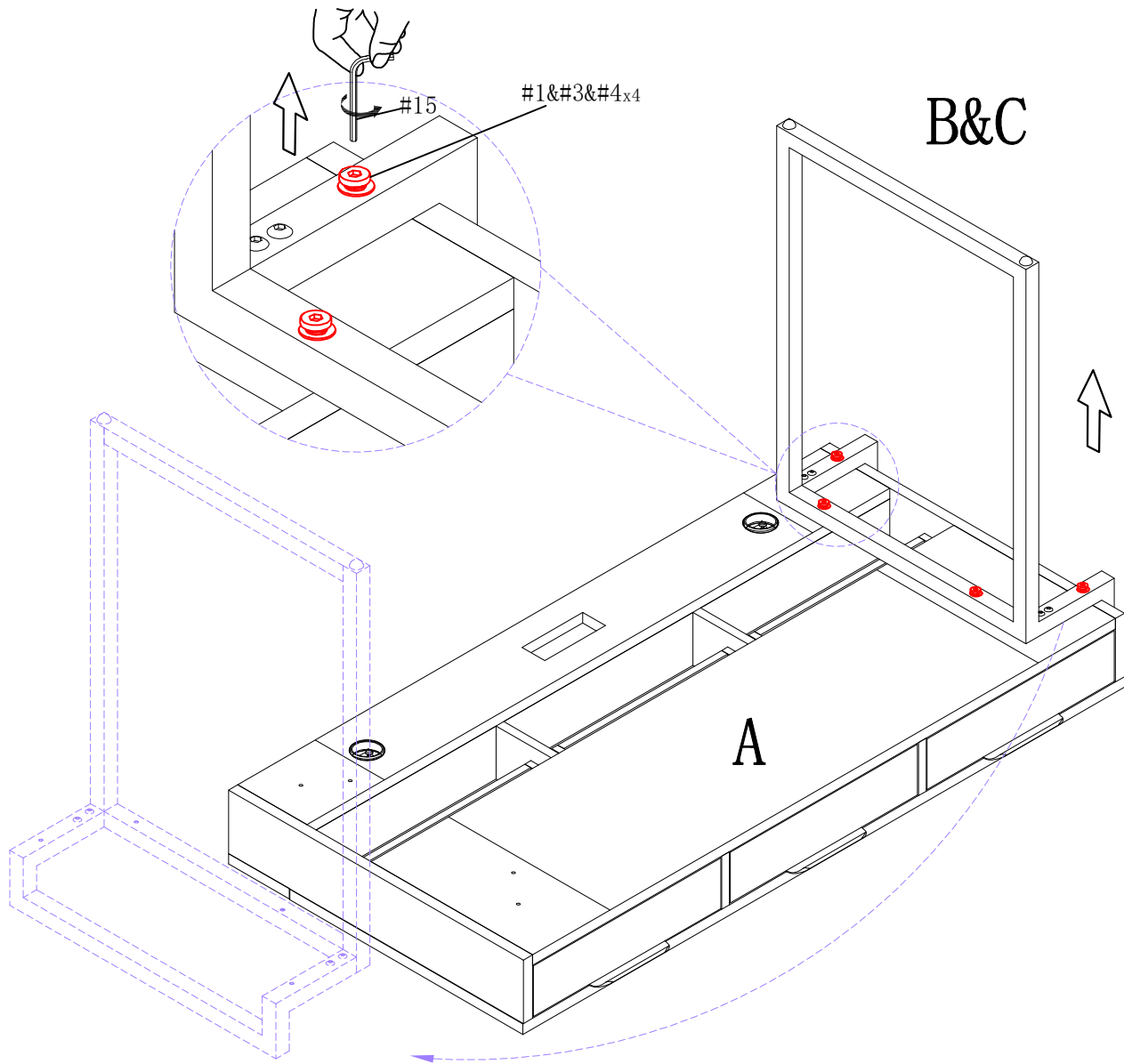
STEP-16



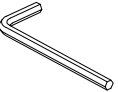
ASSEMBLY INSTRUCTIONS

STEP-17

1. unlock the bolt between part(A) and(B/C).



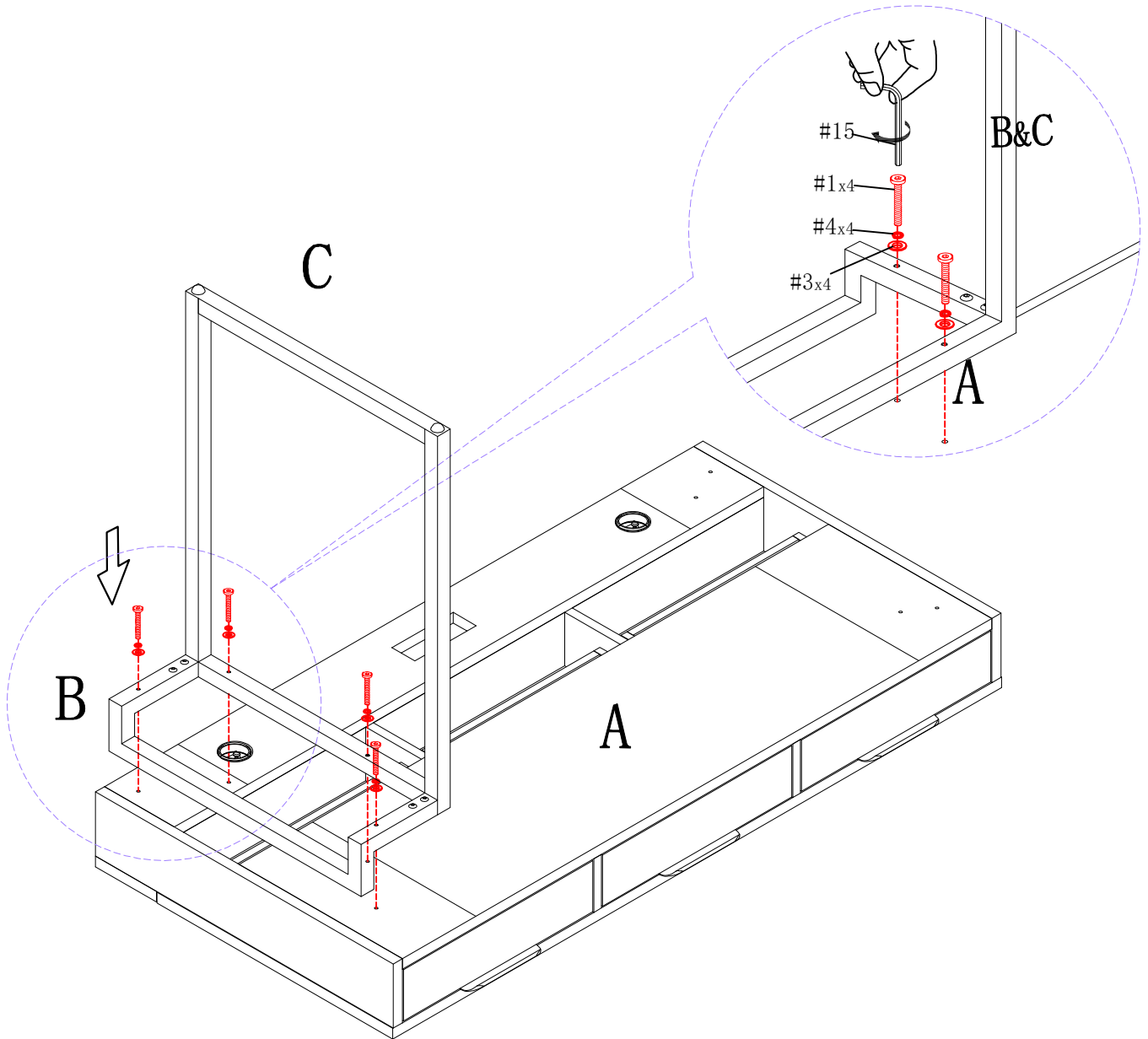
**If you want to place the table
on the right of the cabinet.**

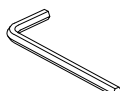
#15	x1
	
1/4"	

ASSEMBLY INSTRUCTIONS

STEP-18

1. remove (B/C) to the other end of part(A) and attach them with bolt #1, flat washer #3 and spring washer#4, tight bolt with allen wrench #15 .

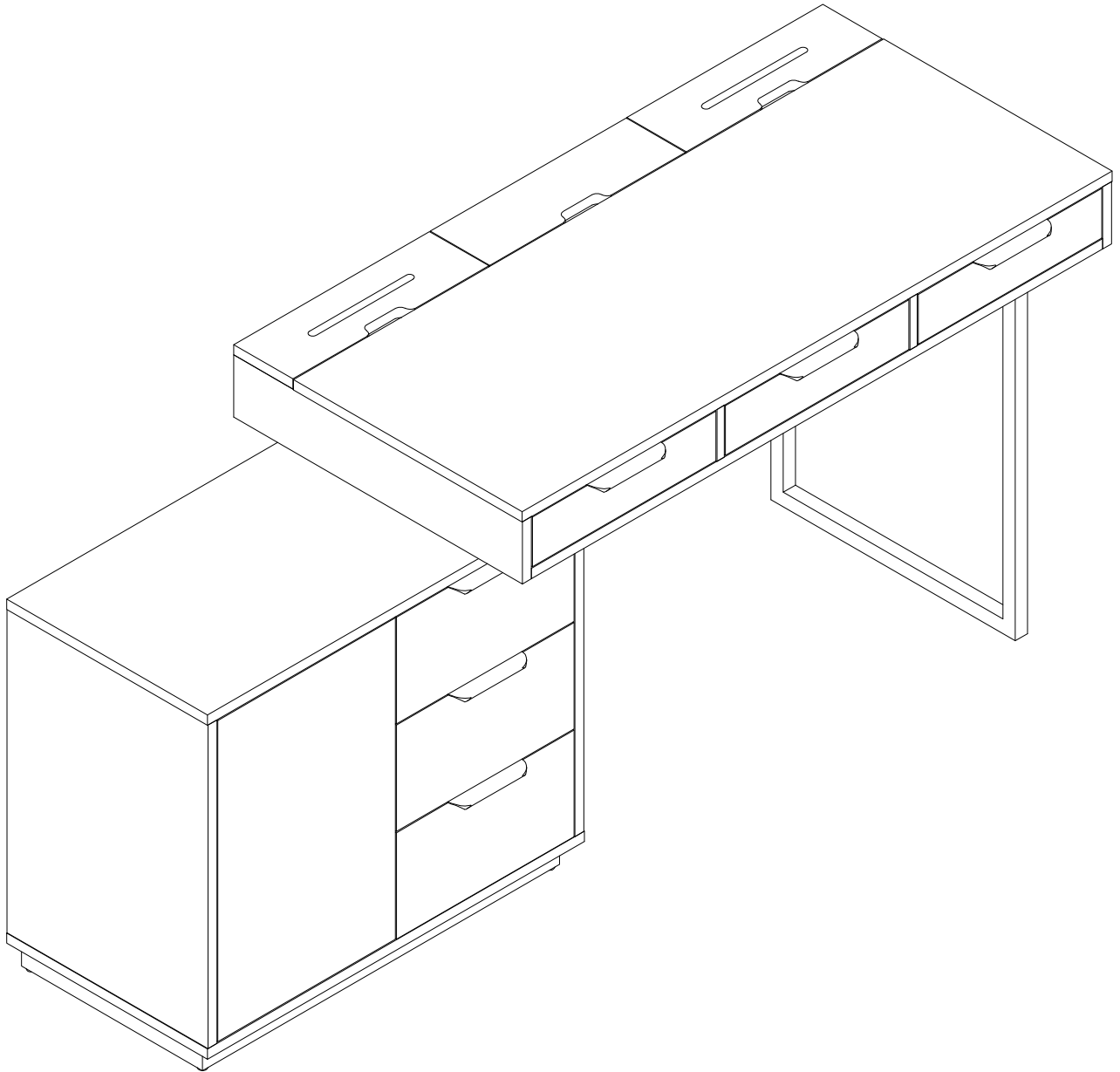


#15	x1
	
1/4"	

ASSEMBLY INSTRUCTIONS

STEP-19

1. place the table on the right of cabinet as picture.



WARRANTY

1. We strive to offer high-quality products, and we also try our best to satisfy each and every customer that orders from us with product or service as needed.
2. We provide 30 days warranty starting from the time you receive the item. Each customer must provide a record of their order such as the order number, or item receipt for any items that are out of the warranty period you may also still receive.
3. Replacement parts by purchasing them with our company if they are available.