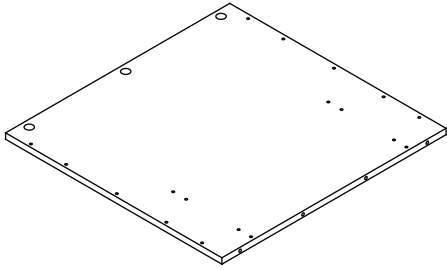


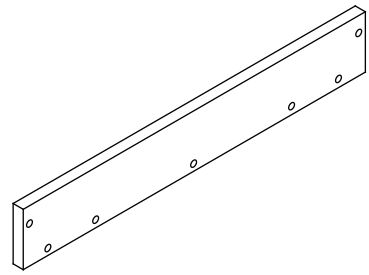
BOARD IDENTIFICATION

1



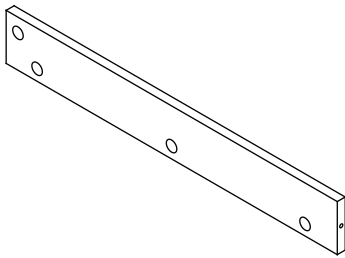
2 PCS

2



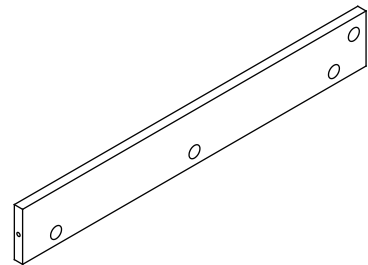
2 PCS

3



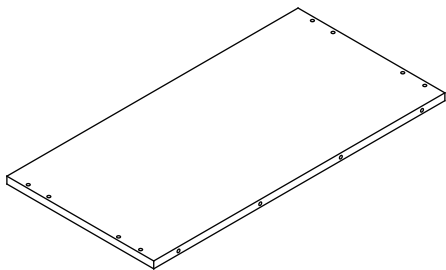
2 PCS

4



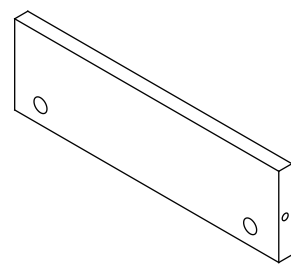
2 PCS

5



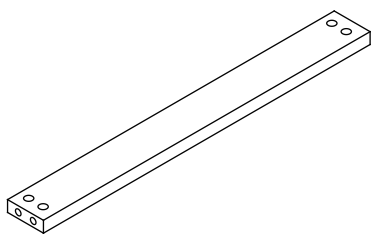
1 PC

6



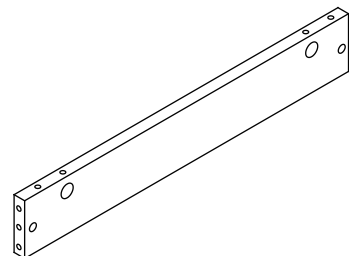
2 PCS

7



2 PCS

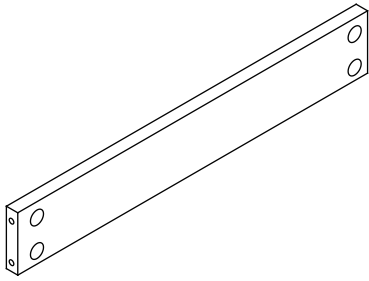
8



2 PCS

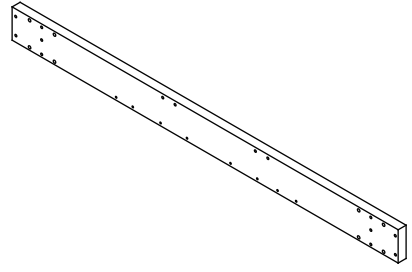
BOARD IDENTIFICATION

9



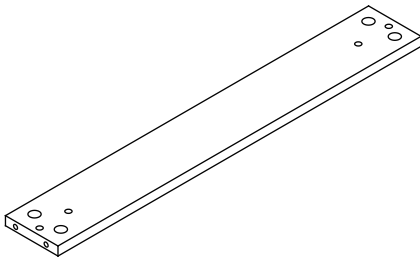
2 PCS

10



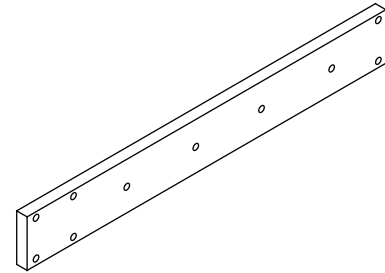
2 PCS

11



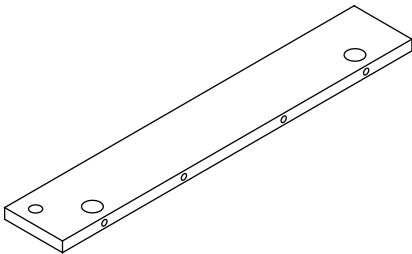
2 PCS

12



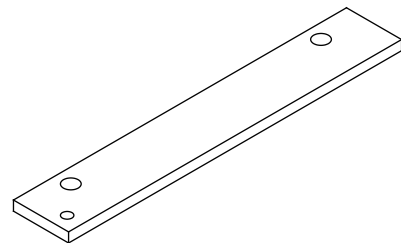
4 PCS

13



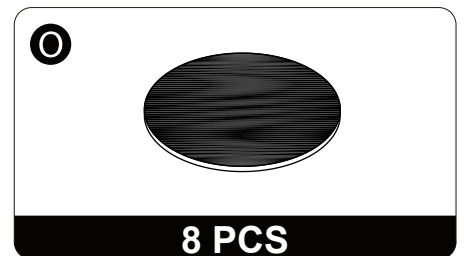
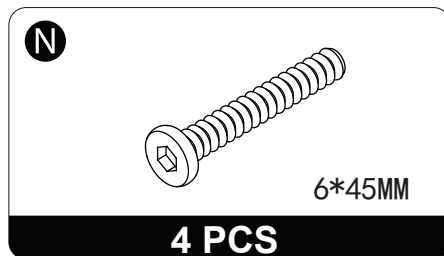
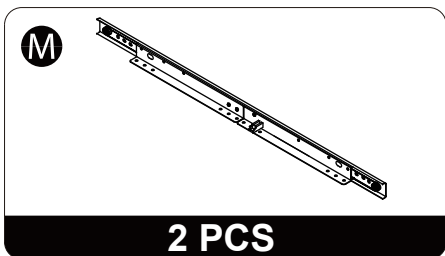
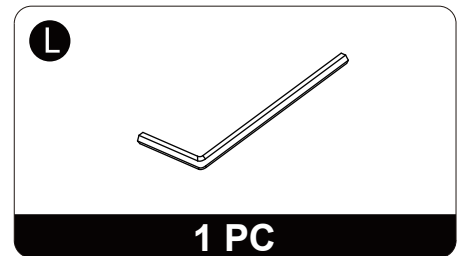
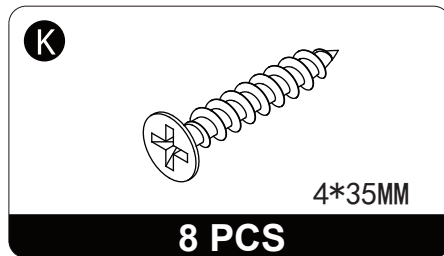
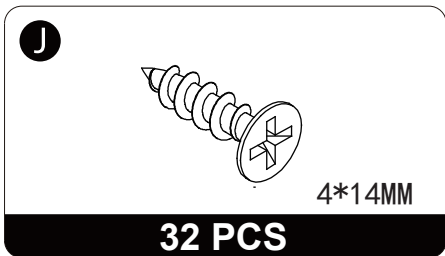
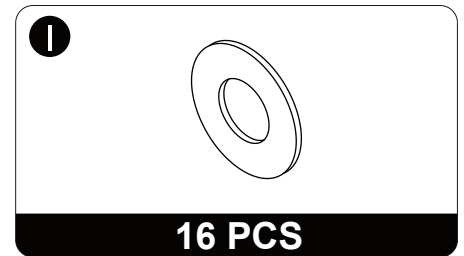
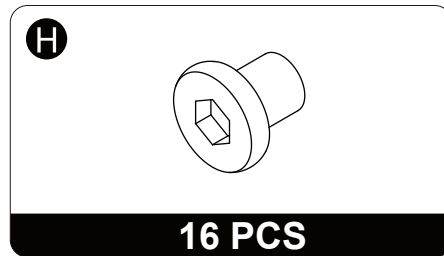
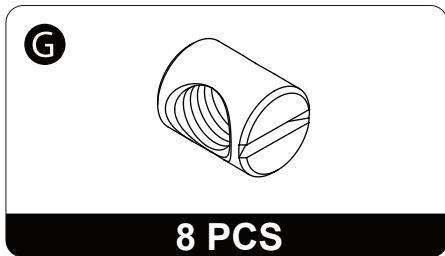
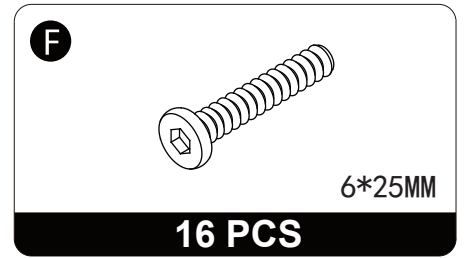
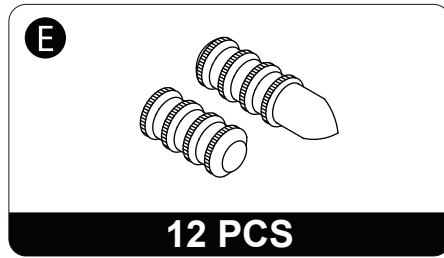
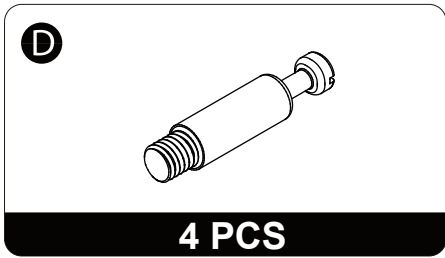
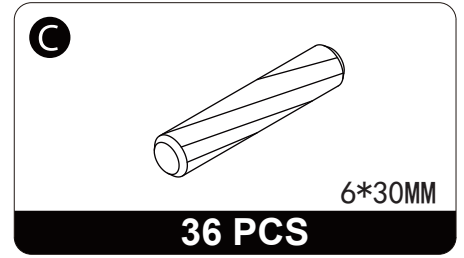
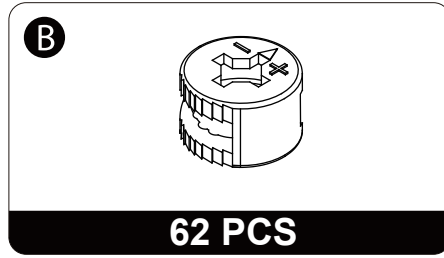
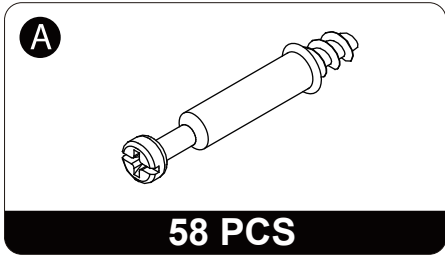
2 PCS

14

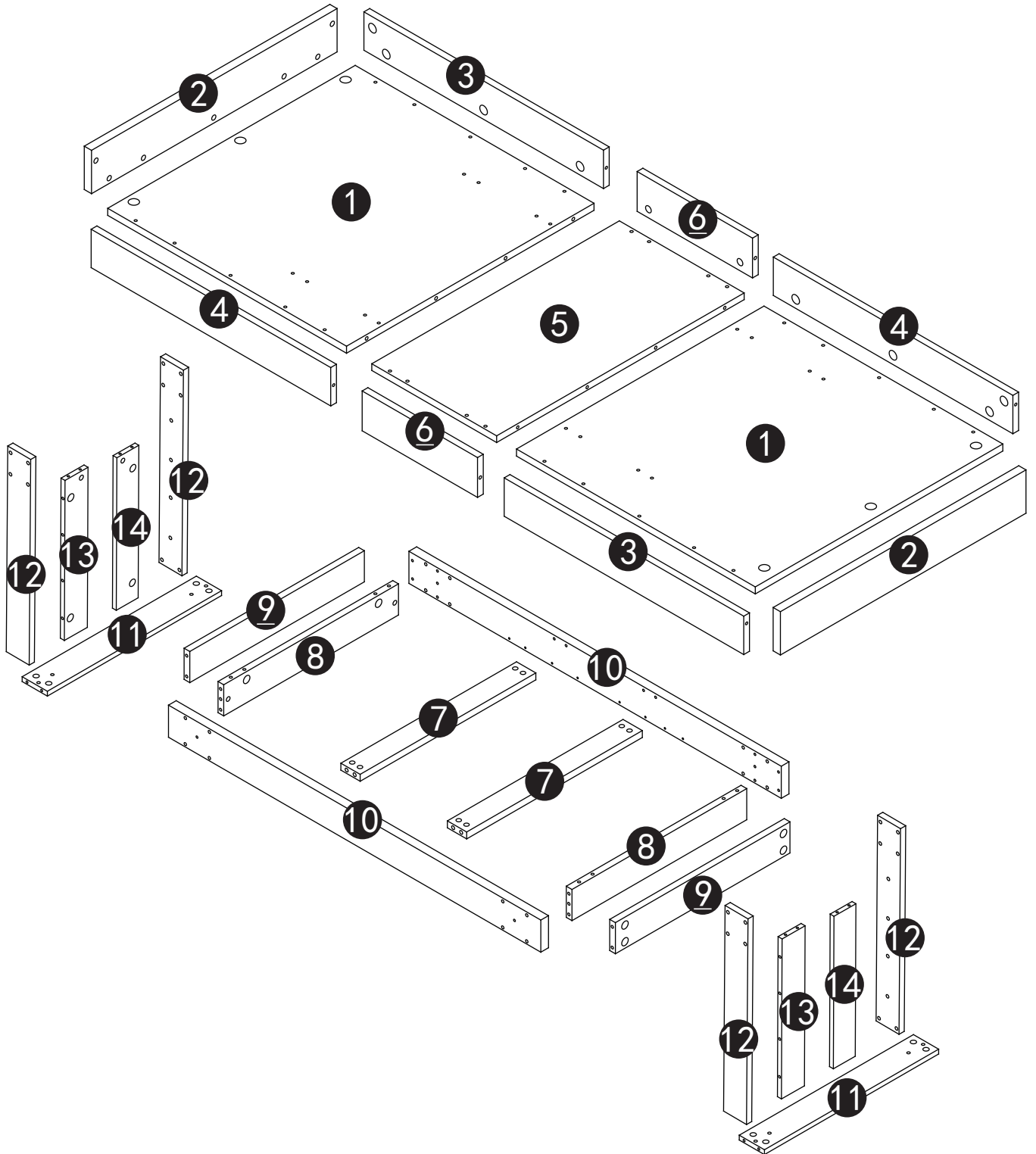


2 PCS

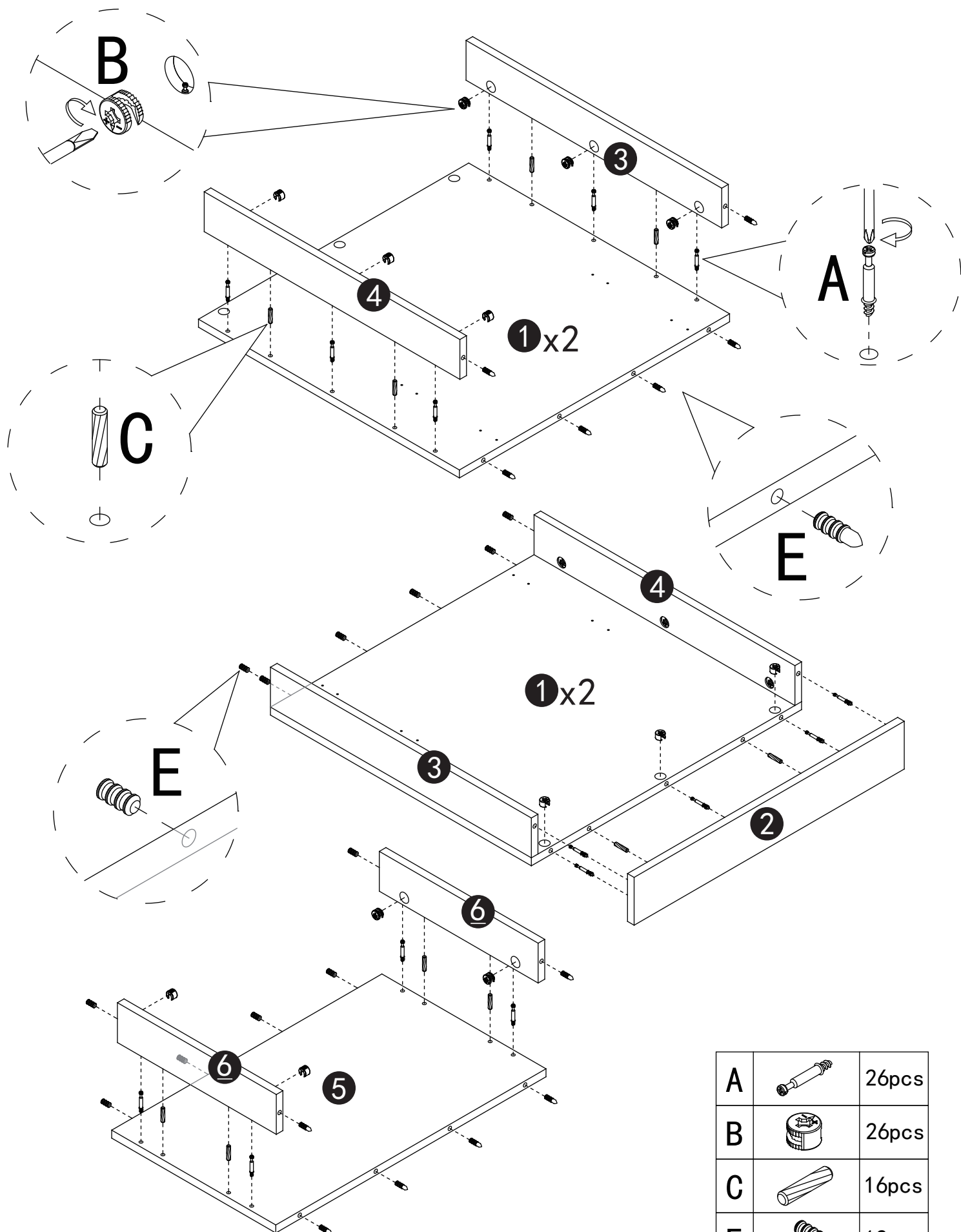
PART LIST



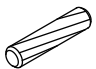



BOARD IDENTIFICATION

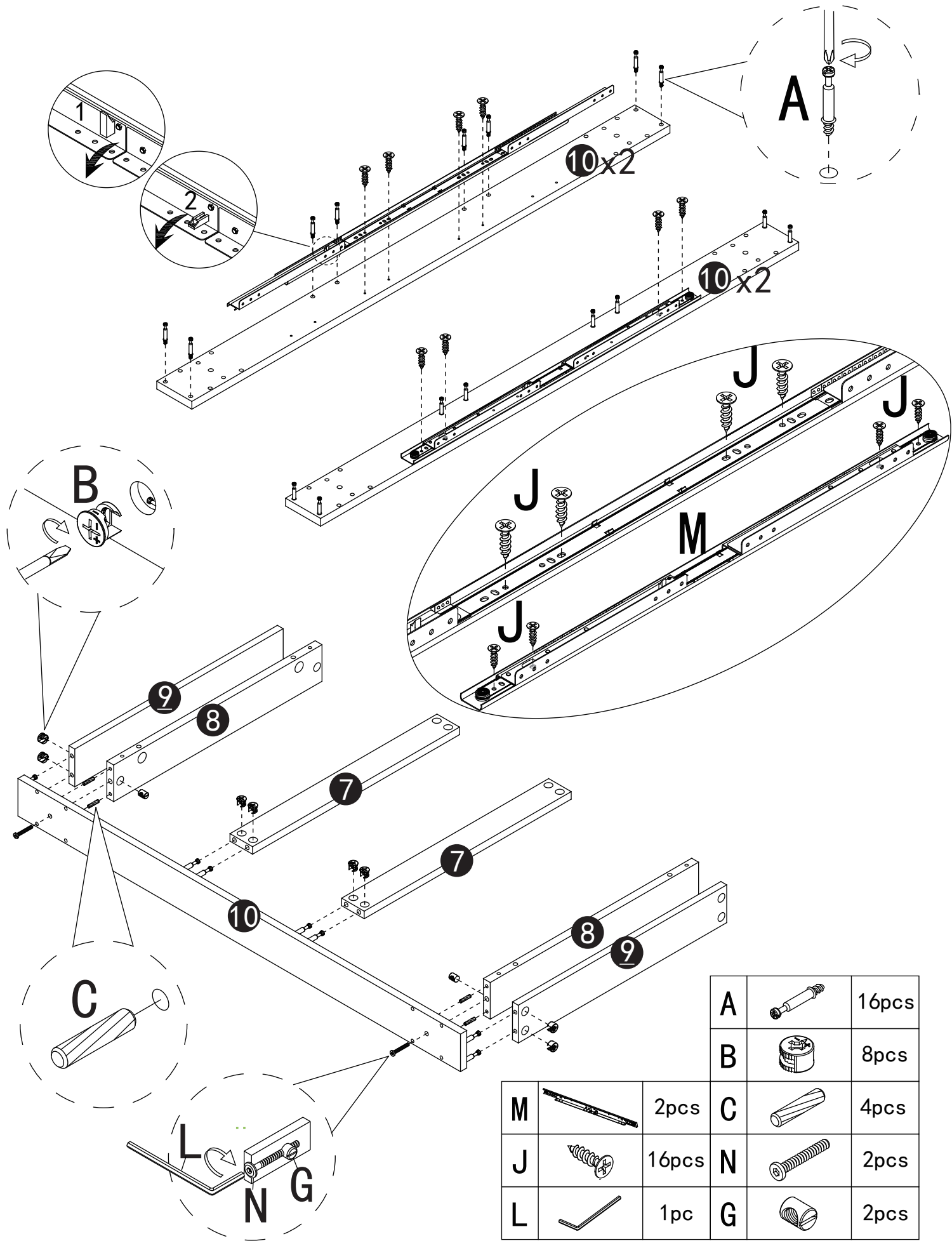


STEP 1



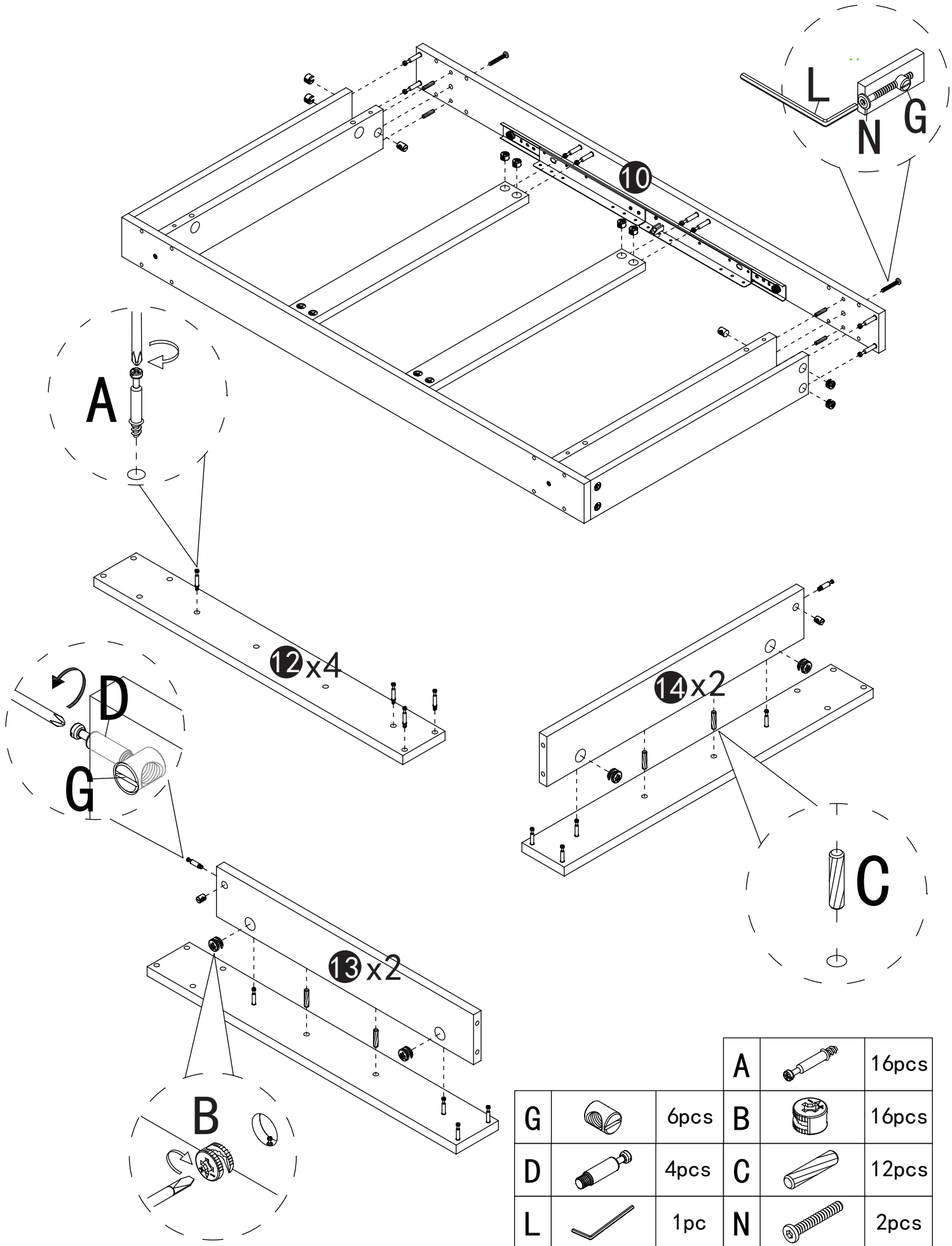
A		26pcs
B		26pcs
C		16pcs
E		12pcs




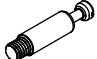



STEP 2



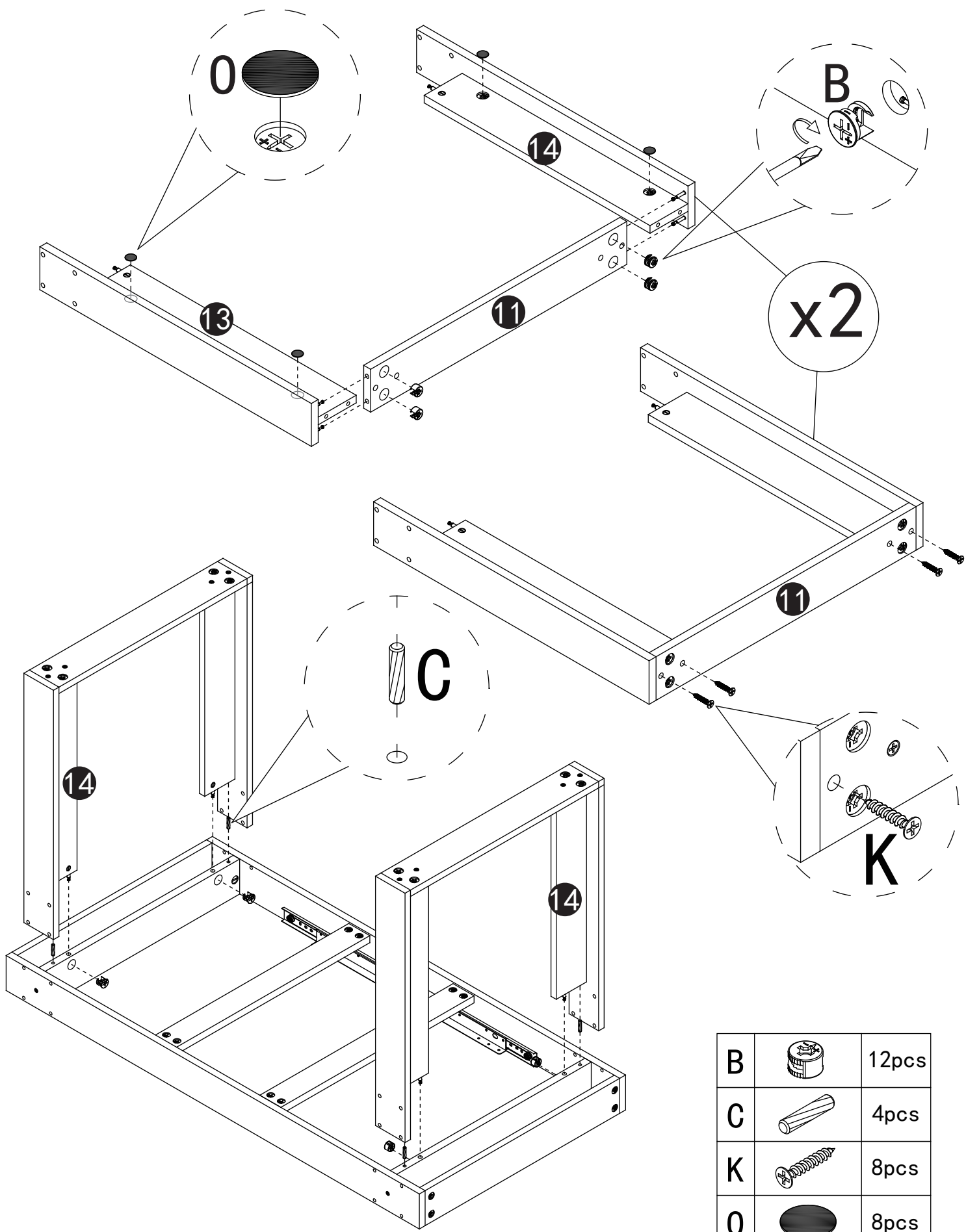
A		16pcs
B		8pcs
C		4pcs
J		16pcs
L		1pc
G		2pcs
M		2pcs
N		2pcs


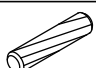
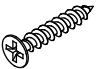

STEP 3



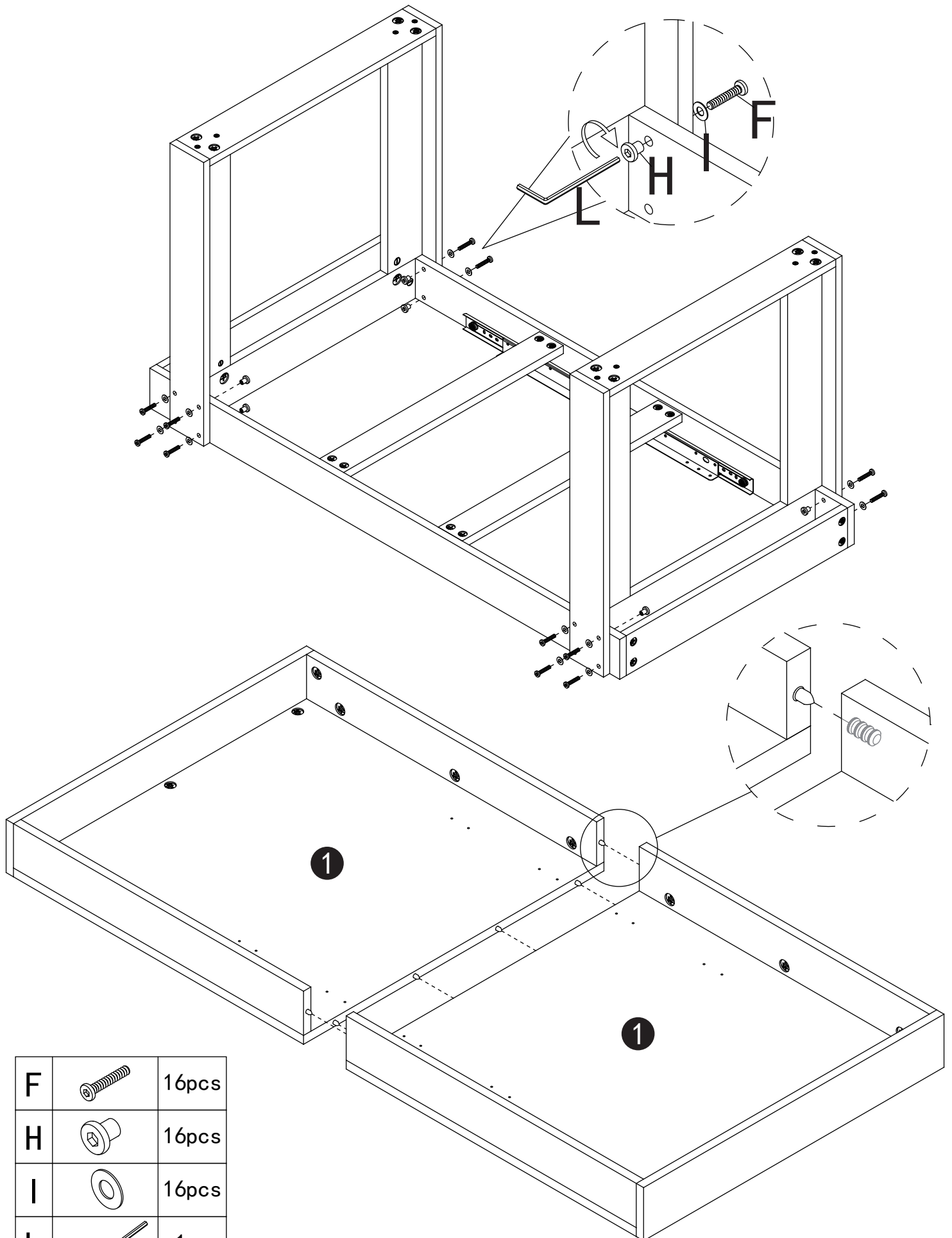
	A		16pcs	
G		6pcs	B 	16pcs
D		4pcs	C 	12pcs
L		1pc	N 	2pcs





STEP 4



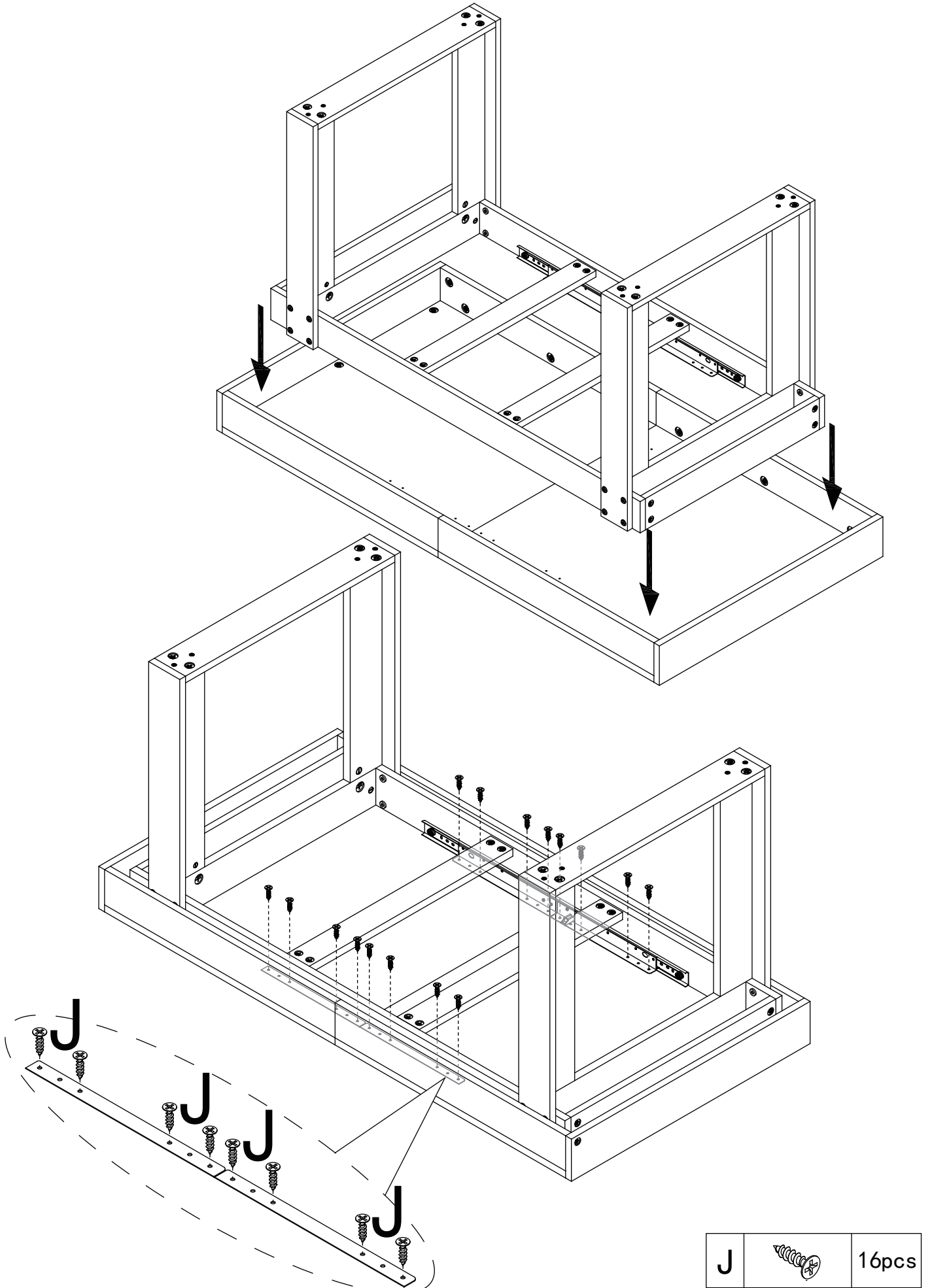
B		12pcs
C		4pcs
K		8pcs
O		8pcs

STEP 5



F		16pcs
H		16pcs
I		16pcs
L		1pc

STEP 6



STEP 7

