

Contemporary 1-Light Wall Sconce

Caution: Please turn off power before installation and read the manual carefully, we advise you contact professional electricians to install for safety purpose.

Product Features

Style: Modern/Contemporary/Minimalist

Material: Metal

Color: Matte Black/Chrome

Base Type: G9

Light Source Included: No

Voltage: 110VAC

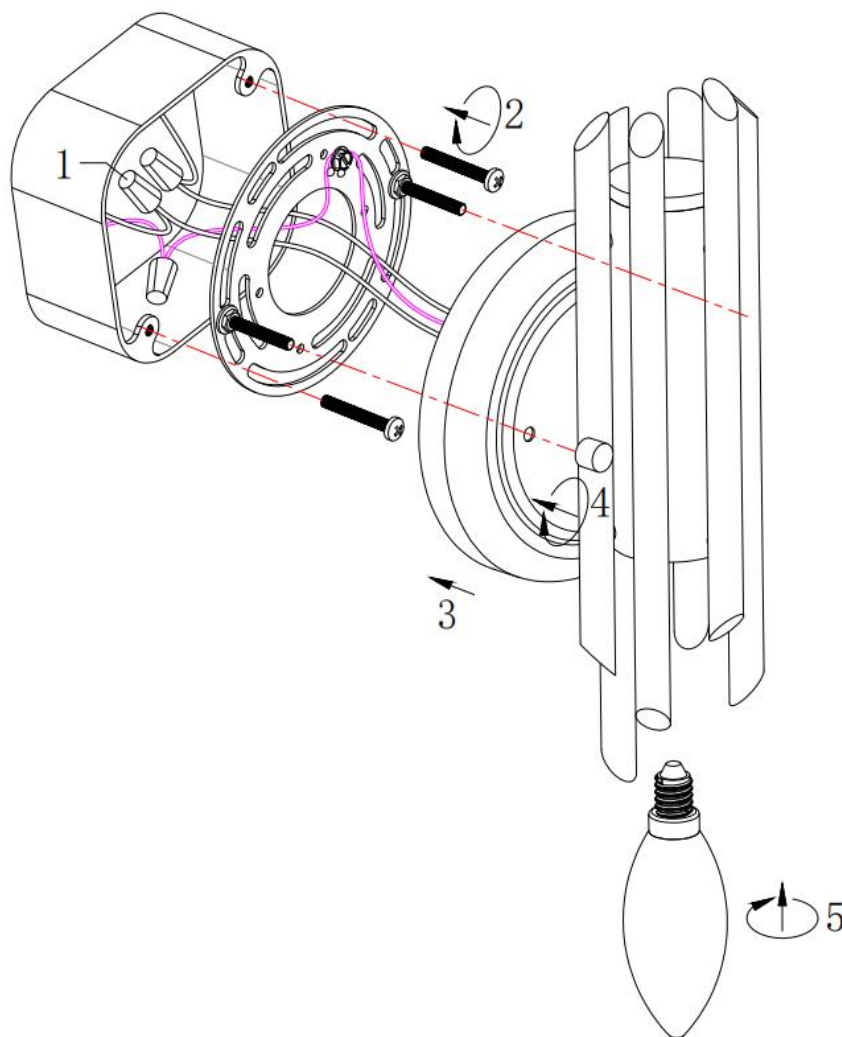
Wattage: 60W

Package includes

1 x Wall Light

1 x Accessories Kit

1 x User's Manual



Installation Instructions

1. Use the wiring cap (1) to connect the black (live) wire of the lamp to the black (live) wire, and the white (neutral) wire of the lamp to the white (neutral) wire. Ensure no wires are exposed during wiring.
2. Fix the mounting plate to the junction box with screws (2).
3. Fix the lamp body (3) to the mounting plate with the decorative nuts (4).
4. Install the bulb (5) (not included) on the lamp holder.

Note: Please use this product accordingly to its intended purpose, do not retrofit or remodeling the product. The warranty does not cover if the failure is caused by the third party product, or natural disasters.

Made in China